



US00D888021S

(12) **United States Design Patent**
Telle

(10) **Patent No.:** **US D888,021 S**

(45) **Date of Patent:** **** Jun. 23, 2020**

(54) **FARADAY SHIELD FOR LOUD SPEAKERS**

(71) Applicant: **Jose Luis Telle**, Miami, FL (US)

(72) Inventor: **Jose Luis Telle**, Miami, FL (US)

(**) Term: **15 Years**

(21) Appl. No.: **29/696,410**

(22) Filed: **Jun. 27, 2019**

(51) **LOC (12) Cl.** **14-01**

(52) **U.S. Cl.**
USPC **D14/221**

(58) **Field of Classification Search**
USPC D14/223, 205, 206; D24/174; 128/864,
128/865, 866; 181/129, 130, 135;
379/430, 431; 381/380, 381, 322-324,
381/330; 455/90.3, 575, 1, 569.1
CPC H04R 1/10; H04R 25/00; H04R 1/1016;
H04R 1/1066; H04R 5/033; H04R
5/0335; H04R 1/1091; H04R 1/1058;
H04R 1/105; H04R 1/1083

See application file for complete search history.

(56) **References Cited**

U.S. PATENT DOCUMENTS

D265,176 S * 6/1982 Bock D34/39
D346,821 S * 5/1994 Smith 347/88
5,350,105 A * 9/1994 Delalle B23K 3/06
228/56.3

5,765,683 A * 6/1998 Starkle A45D 40/18
206/235
5,943,836 A * 8/1999 Kassardjian E04G 21/32
248/523
D643,416 S * 8/2011 Chong D14/223
D654,056 S * 2/2012 Hoggarth D14/205
D674,904 S * 1/2013 Aunio D14/223
D681,013 S * 4/2013 Massaro D14/223
D718,286 S * 11/2014 Yang D14/223
D814,930 S * 4/2018 Tremayne D9/435
D831,832 S * 10/2018 Rappaport D24/173
2019/0238969 A1 * 8/2019 Koike G06K 9/00087

* cited by examiner

Primary Examiner — Katie Jane Stofko

(74) *Attorney, Agent, or Firm* — Sanchelima &
Associates, P.A.; Jesus Sanchelima; Christian Sanchelima

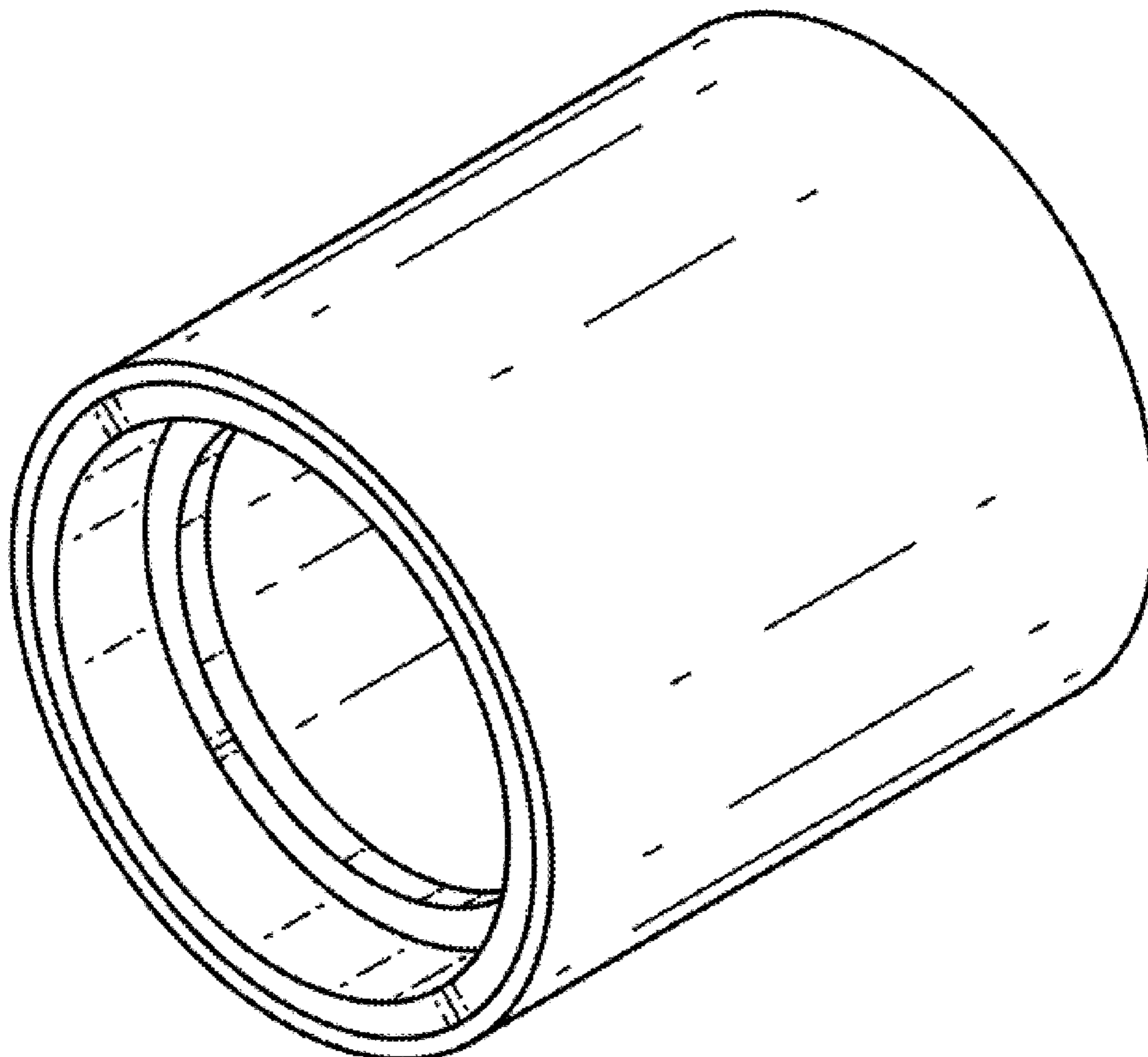
(57) **CLAIM**

The ornamental design for an Faraday shield for loud speakers, as shown and described.

DESCRIPTION

FIG. 1 is a top perspective view of a Faraday shield for loud speakers showing my new design;
FIG. 2 is a bottom perspective view thereof;
FIG. 3 is a side elevation view thereof;
FIG. 4 is a bottom plan view thereof; and,
FIG. 5 is a top plan view thereof.

1 Claim, 2 Drawing Sheets



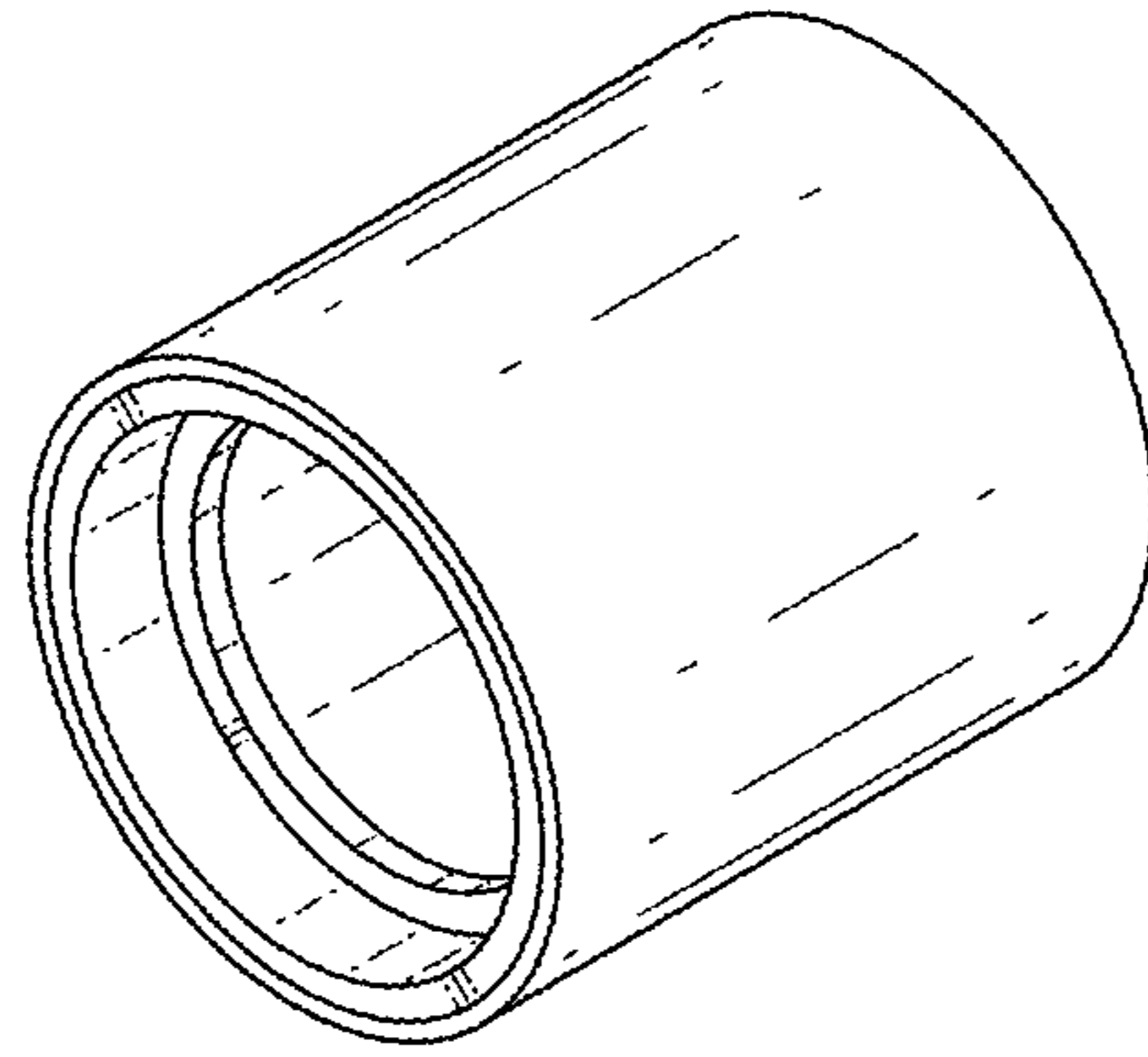


FIG. 1

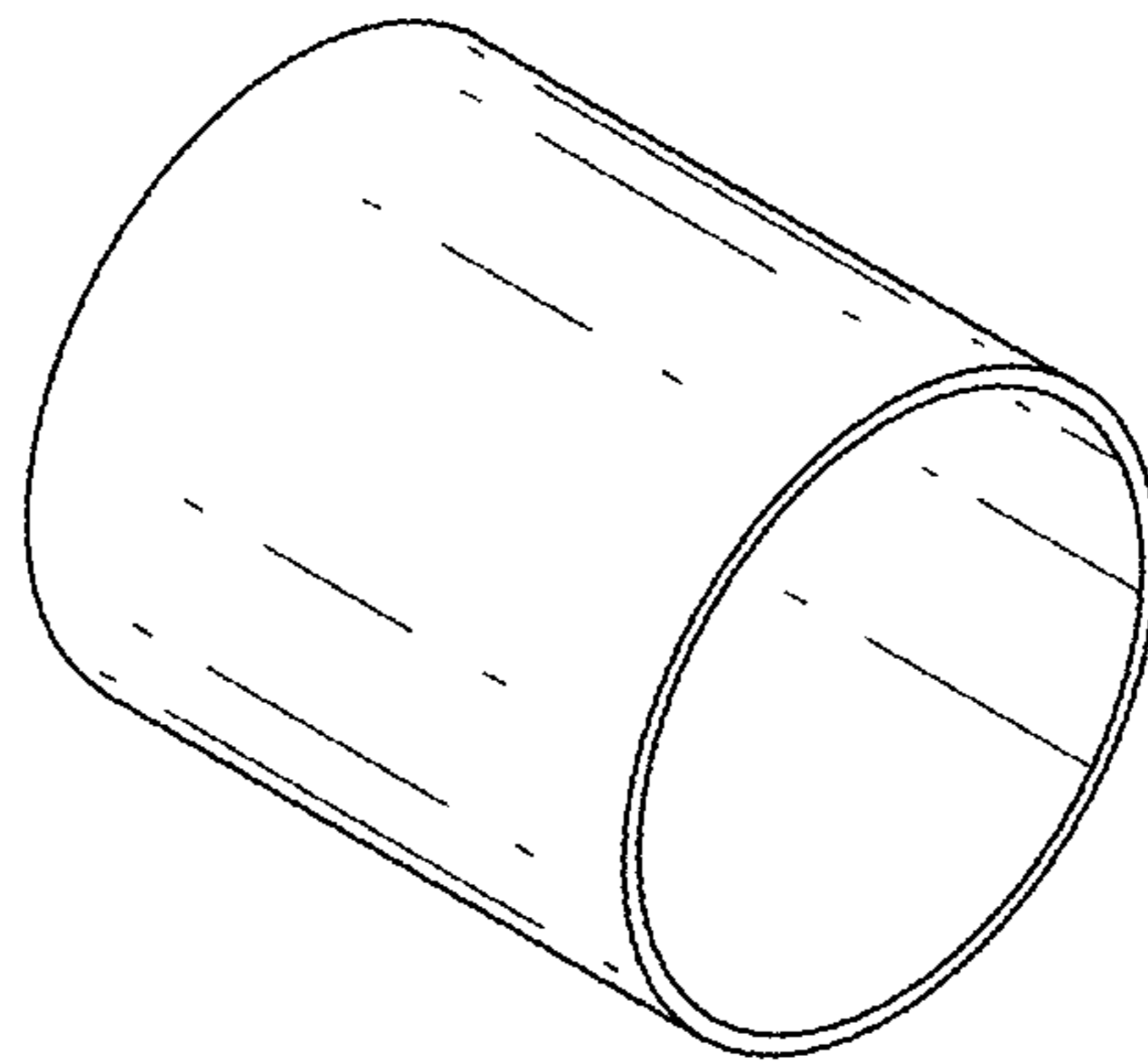


FIG. 2

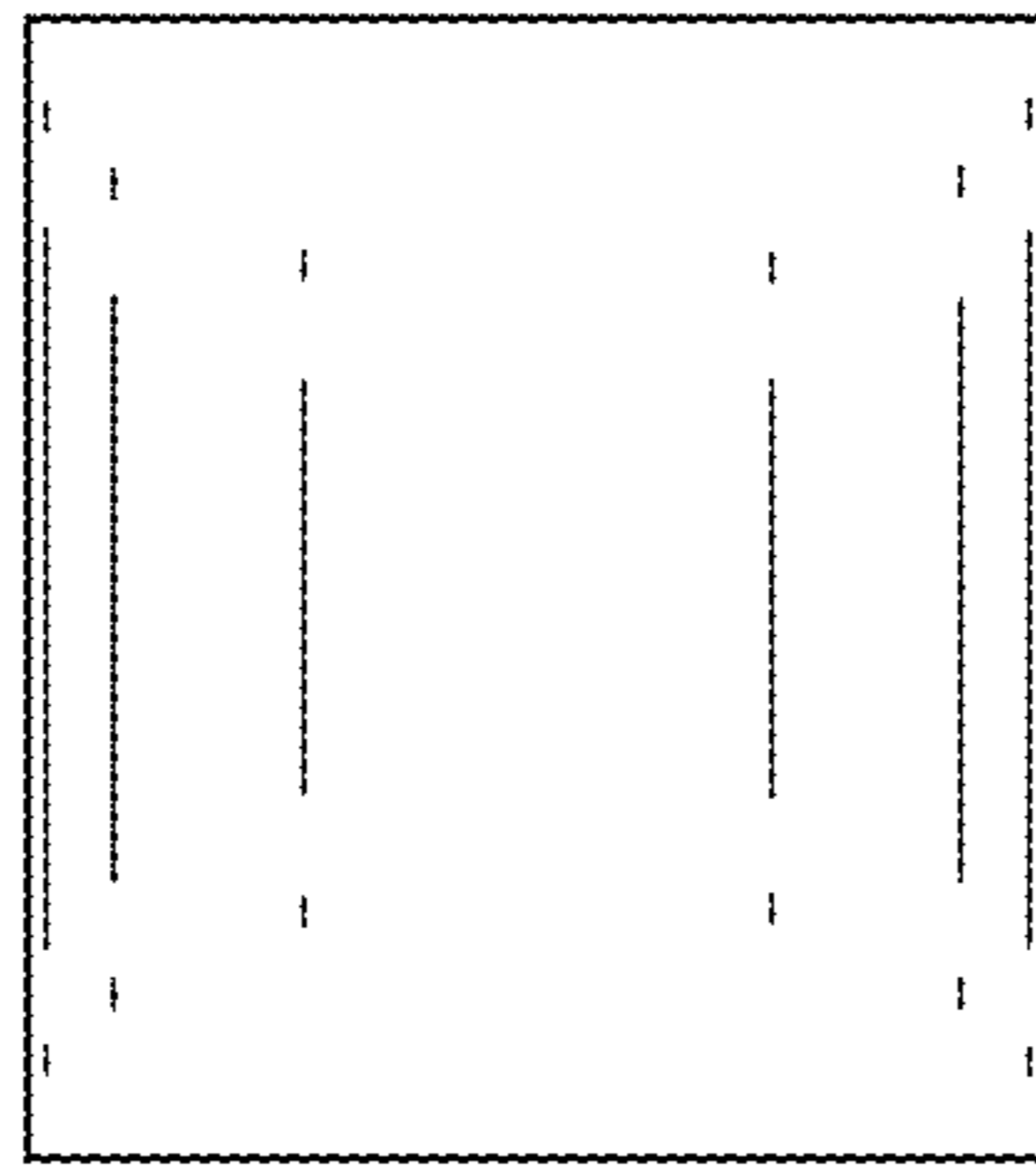


FIG. 3

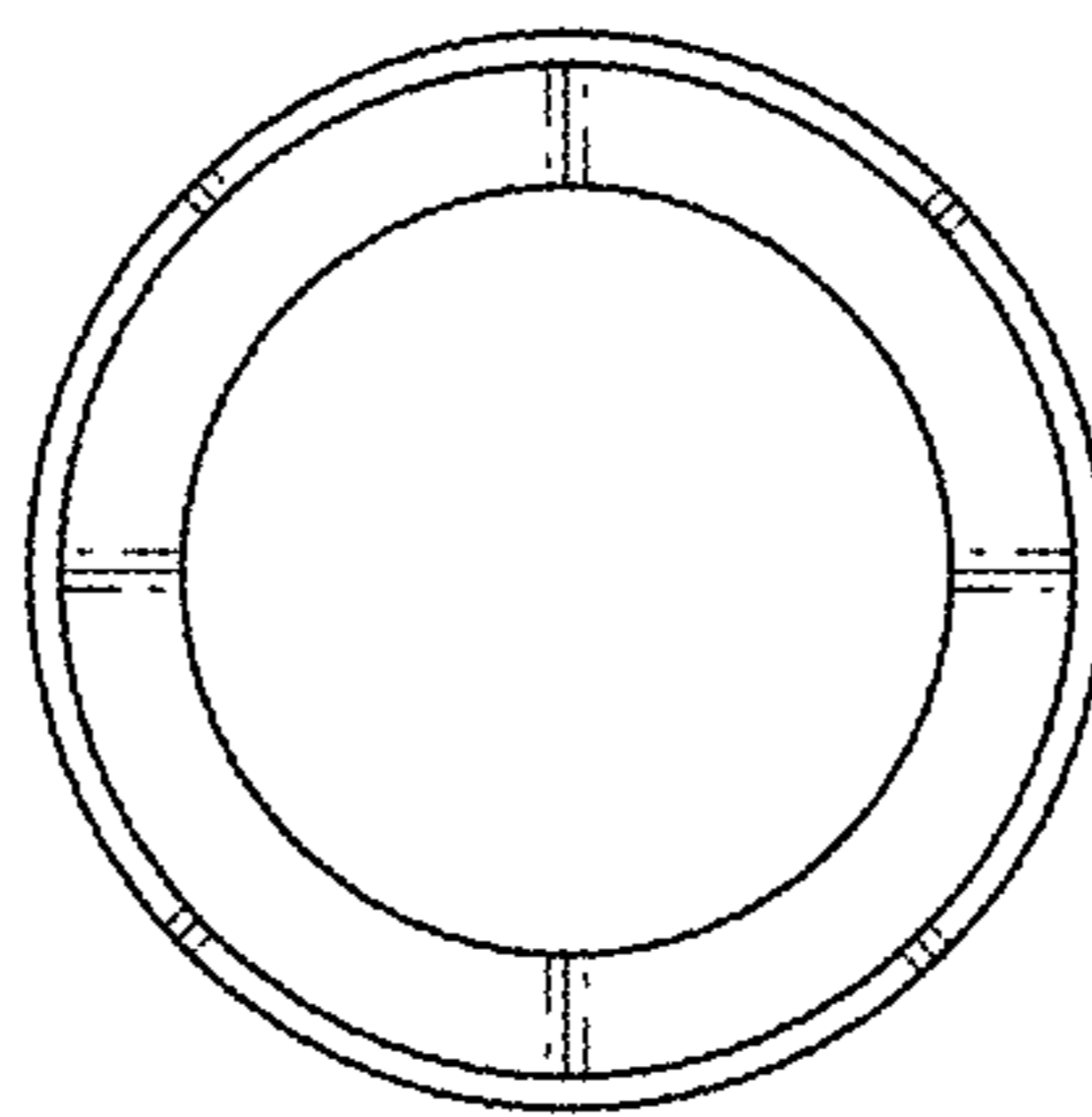


FIG. 4

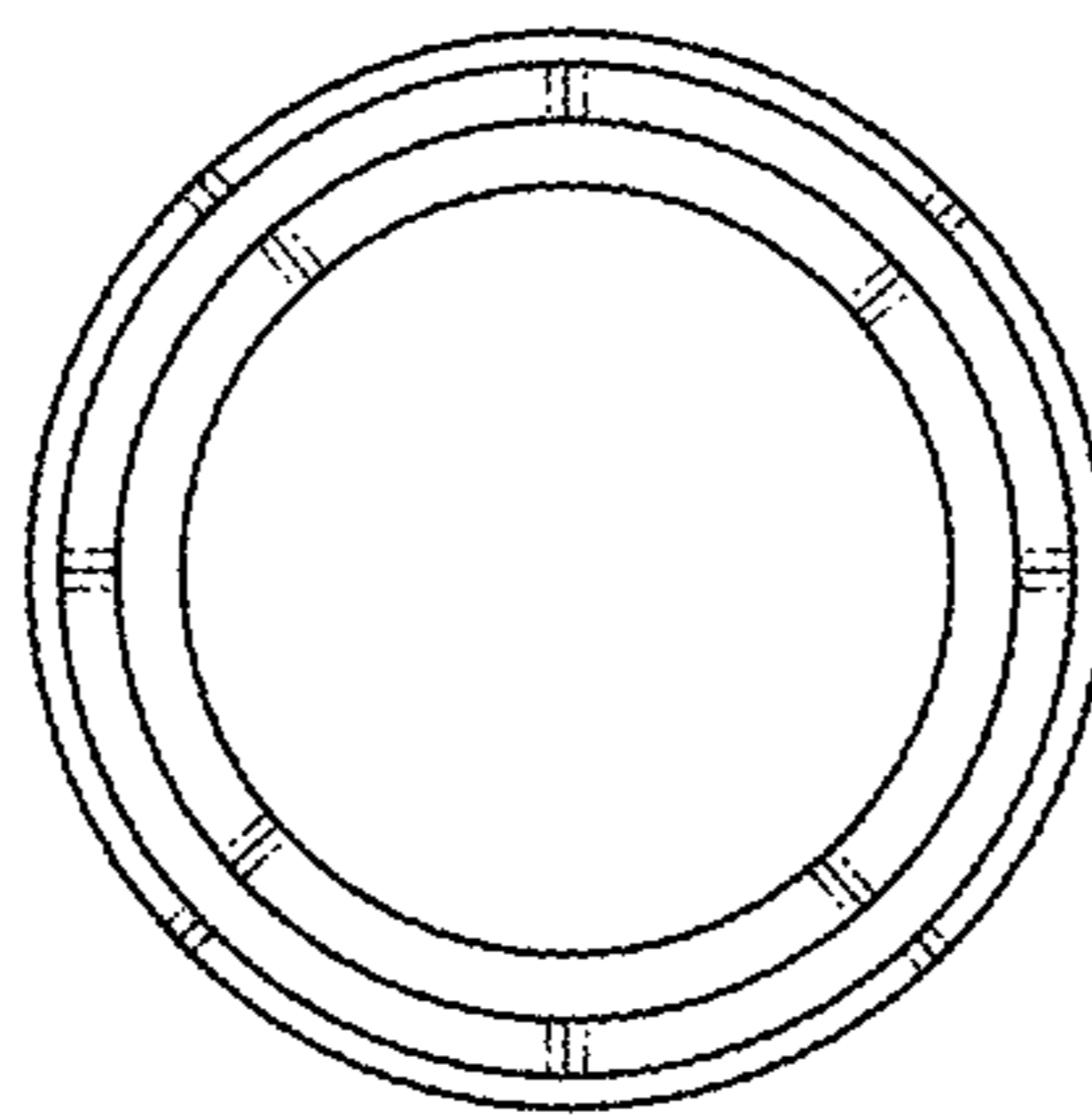


FIG. 5