



US00D888016S

(12) **United States Design Patent** (10) **Patent No.:** **US D888,016 S**  
**Kaplan et al.** (45) **Date of Patent:** **\*\* Jun. 23, 2020**

(54) **SPEAKER BOX**

(71) Applicant: **SSV WORKS, INC.**, Oxnard, CA (US)

(72) Inventors: **Trevor Kaplan**, Oxnard, CA (US);  
**Nathan Perkins**, Camarillo, CA (US)

(73) Assignee: **SSV WORKS, INC.**, Oxnard, CA (US)

(\*\*) Term: **15 Years**

(21) Appl. No.: **29/565,512**

(22) Filed: **May 20, 2016**

**Related U.S. Application Data**

(63) Continuation of application No. 29/507,981, filed on Oct. 31, 2014, now Pat. No. Des. 760,194.

(51) **LOC (12) Cl.** ..... **14-01**

(52) **U.S. Cl.**  
USPC ..... **D14/215**; D14/214

(58) **Field of Classification Search**

USPC ..... D14/167, 168, 170–172, 188, 194–196,  
D14/204, 207, 209.1, 210–216, 219, 221,  
D14/222, 224, 239, 496

CPC ..... B60R 11/0217; G06F 1/1688; G10K 9/22;  
G10K 11/004; H03F 1/327; H04M 1/03;  
H04M 1/035; H04N 5/642; H04N  
21/4852; H04R 1/02; H04R 1/06; H04R  
1/021; H04R 1/025; H04R 1/026; H04R  
1/028; H04R 1/105; H04R 1/323; H04R  
1/403; H04R 1/2803; H04R 1/2834;  
H04R 5/02; H04R 7/20; H04R 9/06;  
H04R 9/025; H04R 2201/021; H04R  
2400/00; H04R 2400/07; H04R 2499/11;  
H04R 2499/13; H04R 2499/15; H04S  
3/00; H04S 7/30

See application file for complete search history.

(56) **References Cited**

U.S. PATENT DOCUMENTS

D596,618 S	7/2009	Zha .....	D14/203.8
D635,550 S	4/2011	Chen .....	D14/214
D688,227 S	8/2013	Lee .....	D14/209.1
D690,738 S	10/2013	York .....	D14/188
D731,464 S	6/2015	Valeur .....	D14/211
D760,194 S *	6/2016	Kaplan .....	D14/215

\* cited by examiner

*Primary Examiner* — Keli L Hill

(74) *Attorney, Agent, or Firm* — Ferguson Case Orr  
Paterson

(57) **CLAIM**

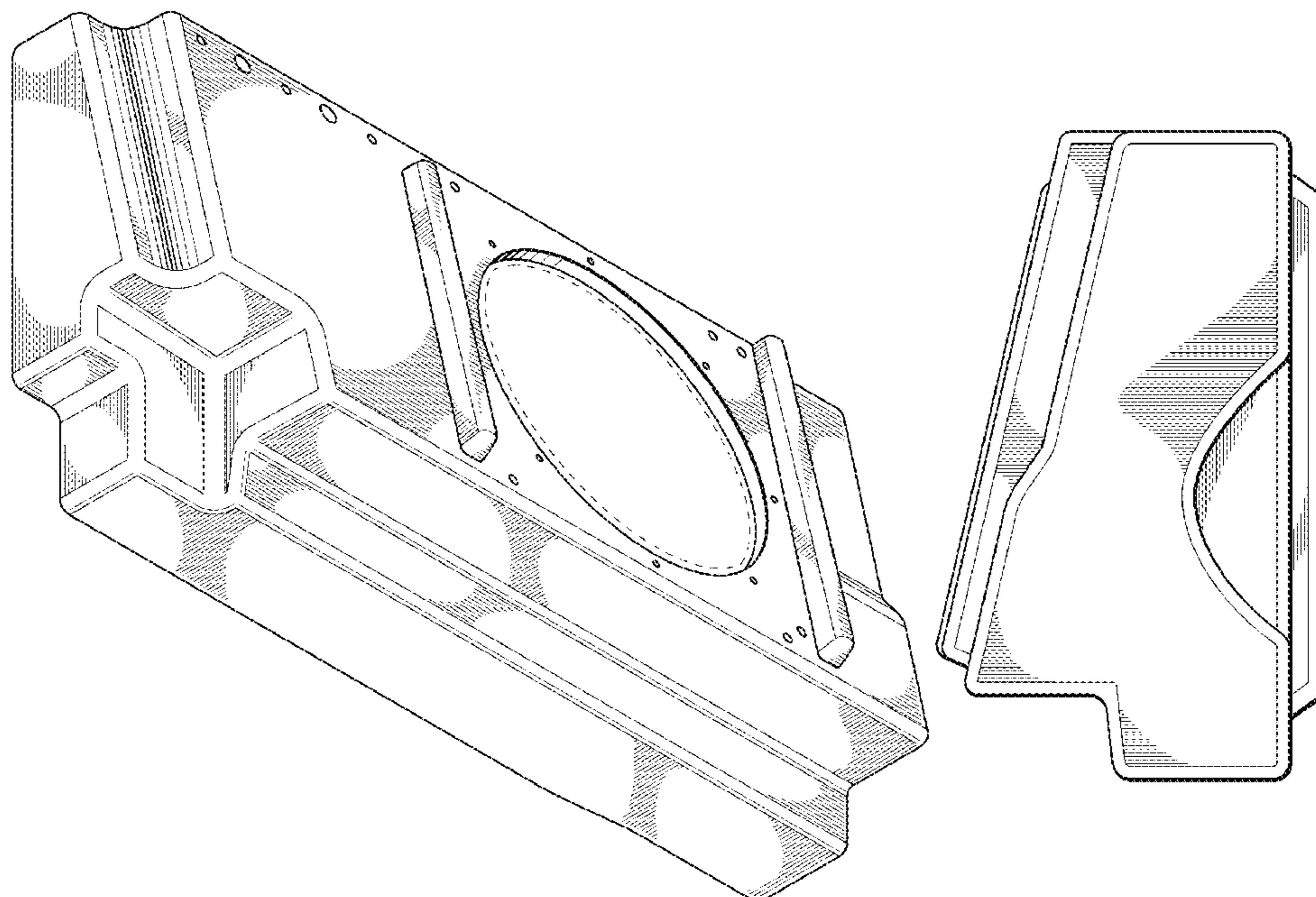
The ornamental design for a speaker box, as shown and described.

**DESCRIPTION**

FIG. 1 is a bottom, front, left side perspective view of a speaker box embodying a novel design; FIG. 2 is a front elevation view thereof; FIG. 3 is a rear elevation view thereof; FIG. 4 is a left side elevation view thereof; FIG. 5 is a right side elevation view thereof; FIG. 6 is a top plan view thereof; and, FIG. 7 is a bottom plan view thereof.

The broken lines shown are included for the purpose of illustrating portions of the speaker box that form no part of the claimed design.

**1 Claim, 5 Drawing Sheets**



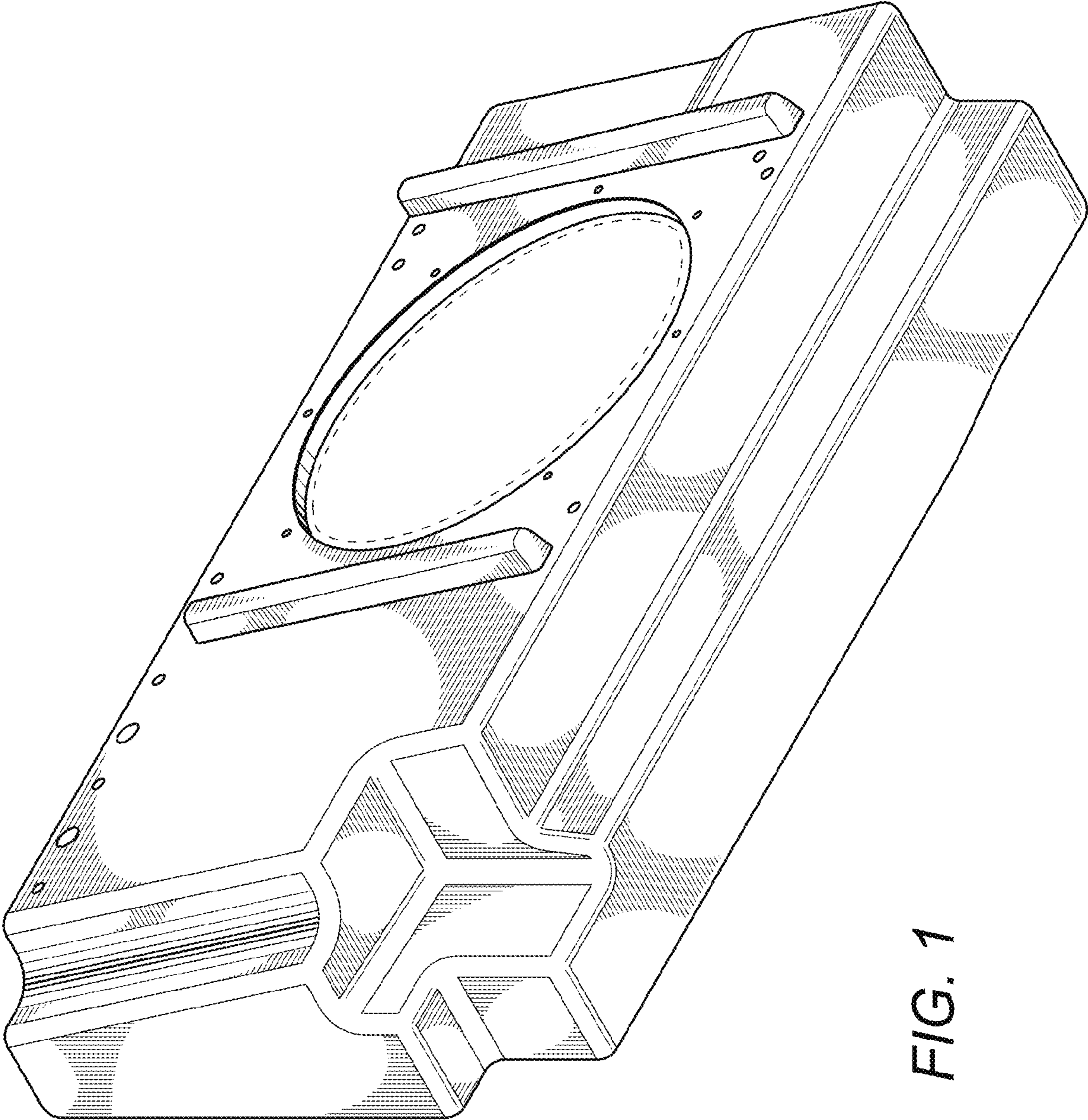


FIG. 1



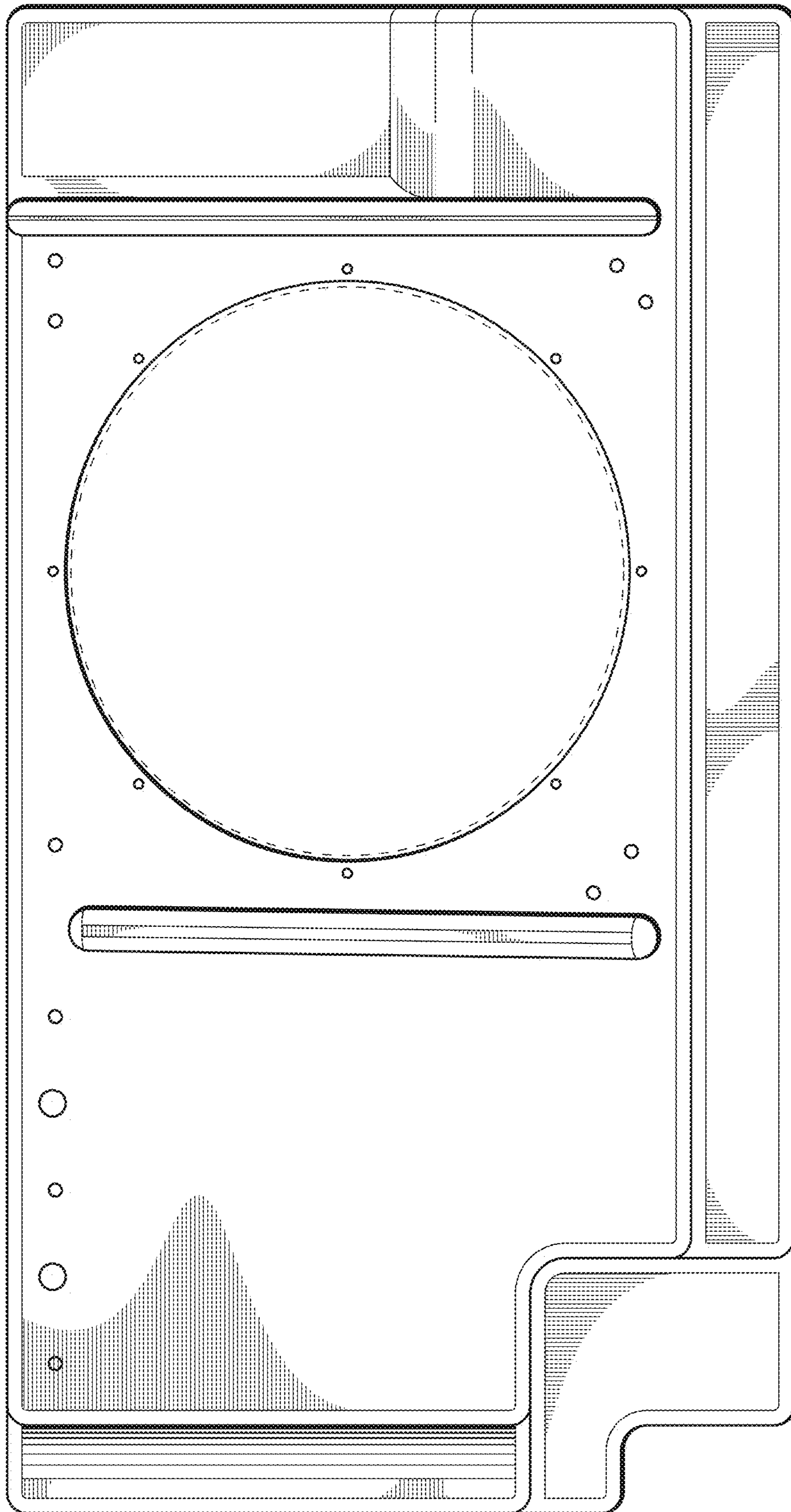


FIG. 2

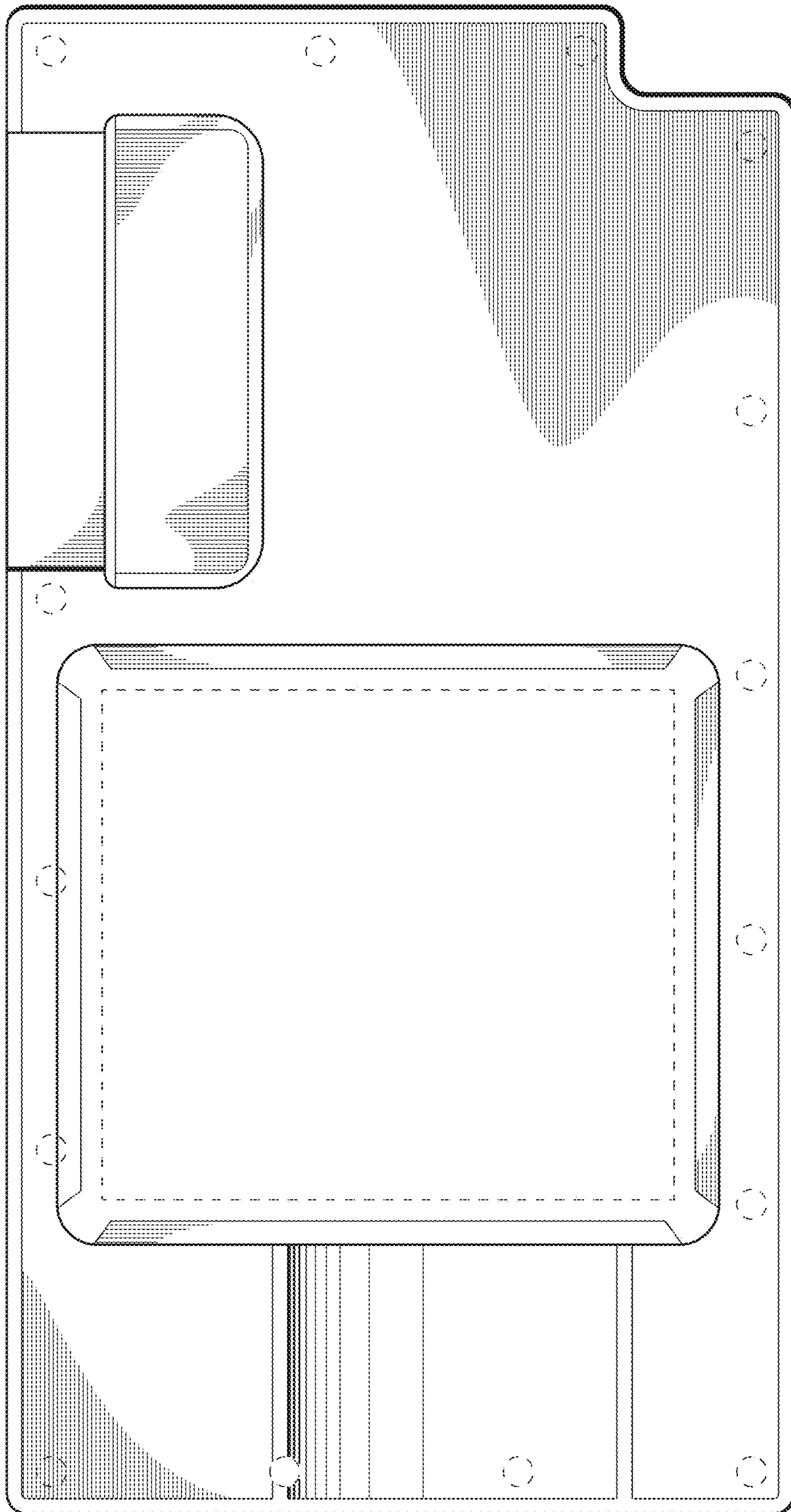


FIG. 3

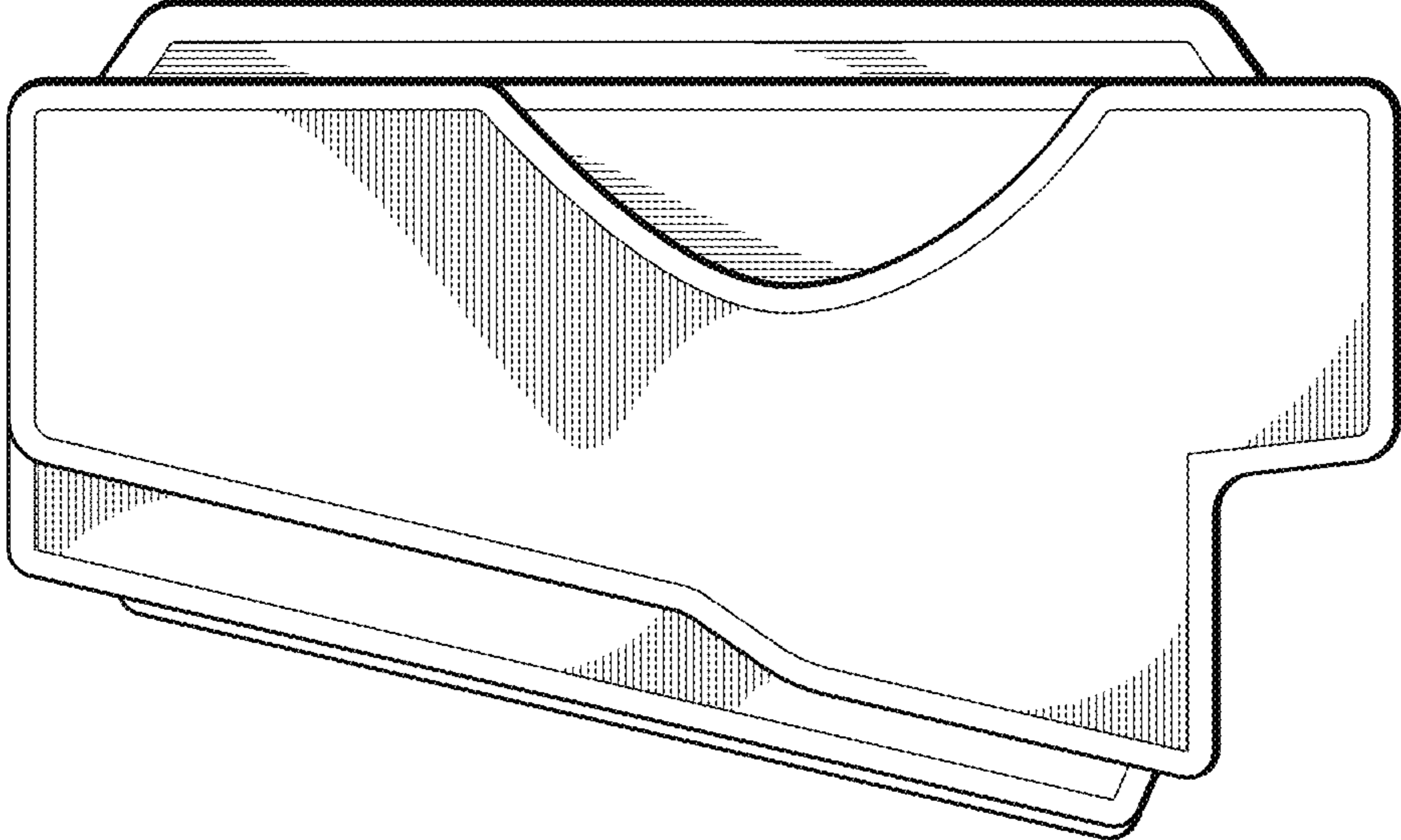


FIG. 5

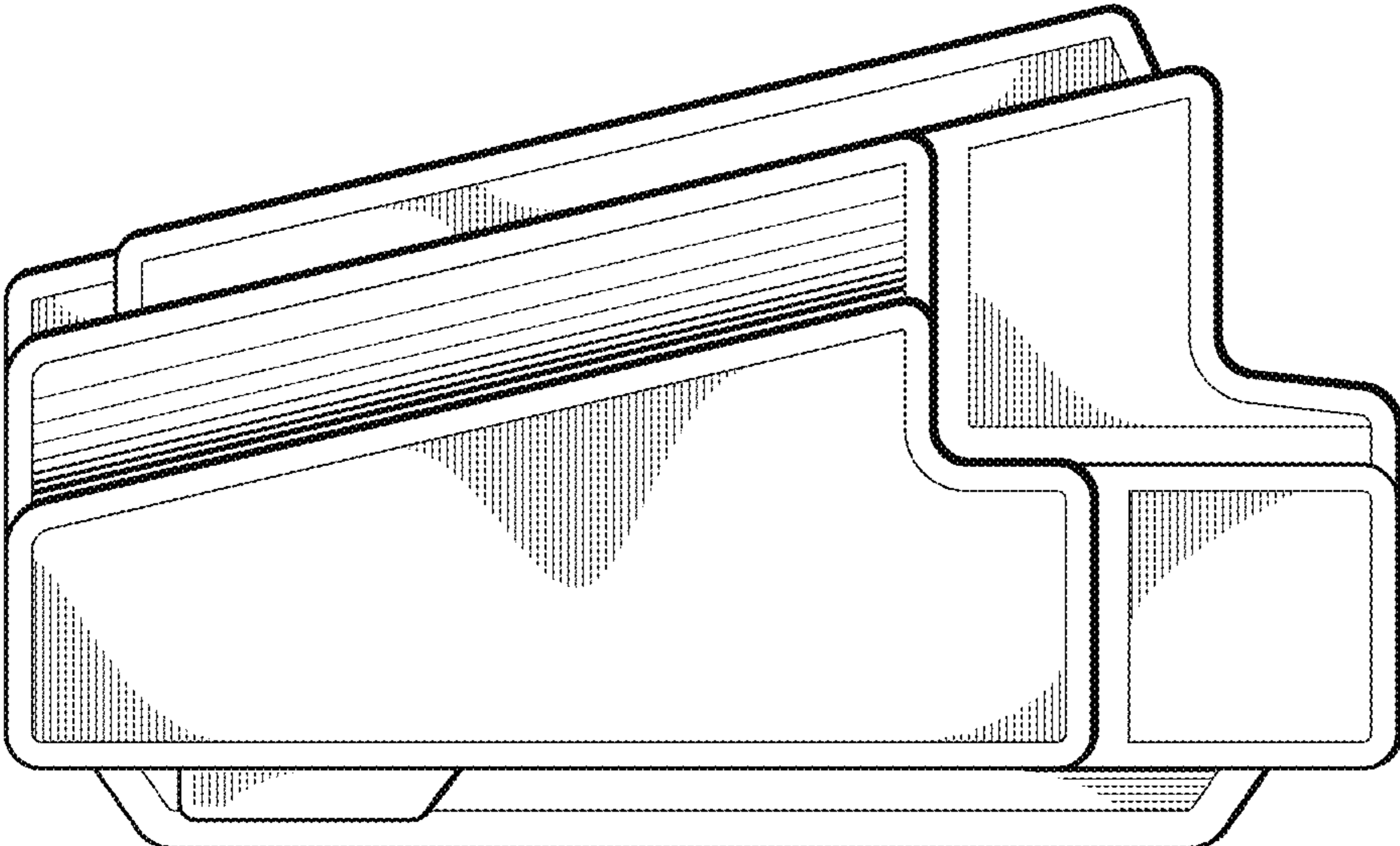


FIG. 4



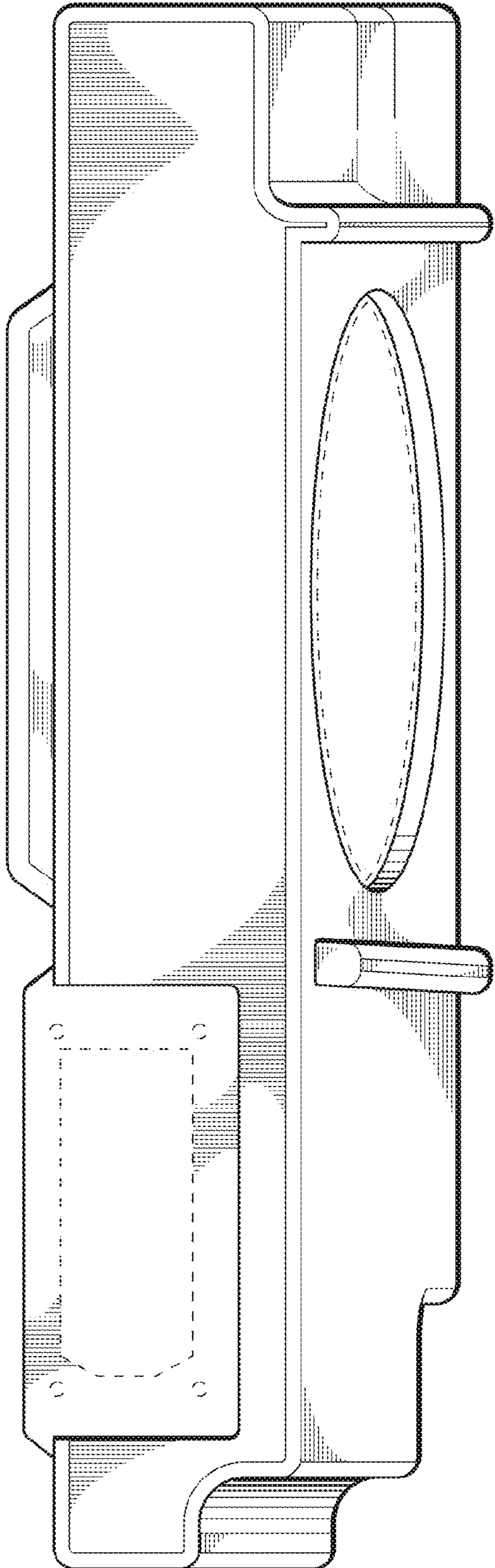


FIG. 6

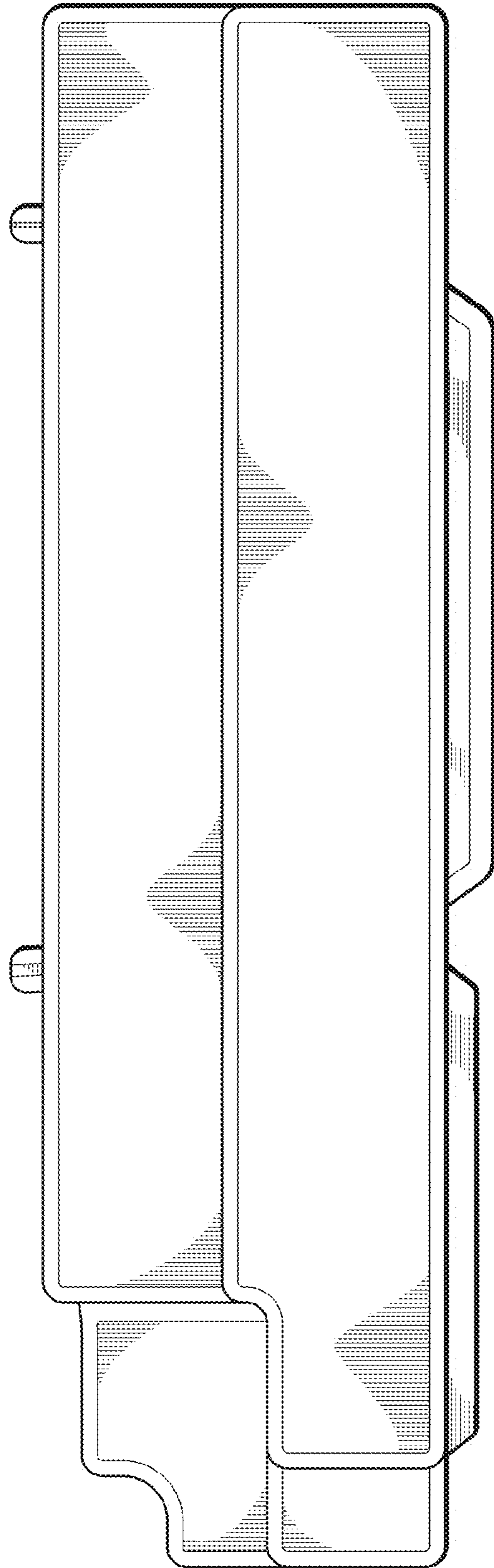


FIG. 7