



US00D888015S

(12) **United States Design Patent** (10) **Patent No.:** **US D888,015 S**
Gu (45) **Date of Patent:** **** Jun. 23, 2020**

(54) **BLUETOOTH SPEAKER**

(56) **References Cited**

(71) Applicant: **Xi Gu**, Leshan (CN)

U.S. PATENT DOCUMENTS

(72) Inventor: **Xi Gu**, Leshan (CN)

D526,640 S *	8/2006	Chin	D14/188
D629,827 S *	12/2010	Morenstein	D16/221
D722,053 S *	2/2015	Wang	D14/358
D724,563 S *	3/2015	Kim	D14/214
D760,691 S *	7/2016	Paslawski	D14/214
D763,818 S *	8/2016	Yang	D14/204
D781,819 S *	3/2017	Koo	D14/214
D789,907 S *	6/2017	Summerson	D14/204
D800,697 S *	10/2017	Fischer	D14/214
D815,610 S *	4/2018	Lee	D14/125
D829,687 S *	10/2018	Burlingame	D14/214
D830,989 S *	10/2018	McManigal	D14/204
D848,974 S *	5/2019	Kitazawa	D14/215

(73) Assignee: **Chengdu Starloop Technology Co., Ltd.**, Sichuan (CN)

(**) Term: **15 Years**

(21) Appl. No.: **29/674,742**

(22) Filed: **Dec. 25, 2018**

(51) **LOC (12) Cl.** **14-01**

(52) **U.S. Cl.**
USPC **D14/214**

(58) **Field of Classification Search**
USPC D14/167, 168, 170–172, 187, 188,
D14/194–196, 204, 207, 209.1, 210–216,
D14/219, 221, 222, 224, 239, 496;
181/143, 144, 147, 148, 150, 153, 157,
181/198, 199; 381/300–303, 306, 332,
381/333, 336, 345, 361–364, 386–388;
369/6–12

CPC B60R 11/0217; G06F 1/1688; G10K 9/22;
G10K 11/004; H03F 1/327; H04M 1/03;
H04M 1/035; H04N 5/642; H04N
21/4852; H04R 1/02; H04R 1/06; H04R
1/021; H04R 1/025; H04R 1/026; H04R
1/028; H04R 1/105; H04R 1/323; H04R
1/403; H04R 1/2803; H04R 1/2834;
H04R 5/02; H04R 7/20; H04R 9/06;
H04R 9/025; H04R 2201/021; H04R
2400/00; H04R 2201/07; H04R 2499/11;
H04R 2499/13; H04R 2499/15; H04S
3/00; H04S 7/30

See application file for complete search history.

* cited by examiner

Primary Examiner — Katie Jane Stofko

(57) **CLAIM**

The ornamental design for a Bluetooth speaker, as shown and described.

DESCRIPTION

FIG. 1 is a perspective view of a Bluetooth speaker showing my new design;

FIG. 2 is a front elevational view thereof;

FIG. 3 is a top plan view thereof;

FIG. 4 is a left side elevational view thereof;

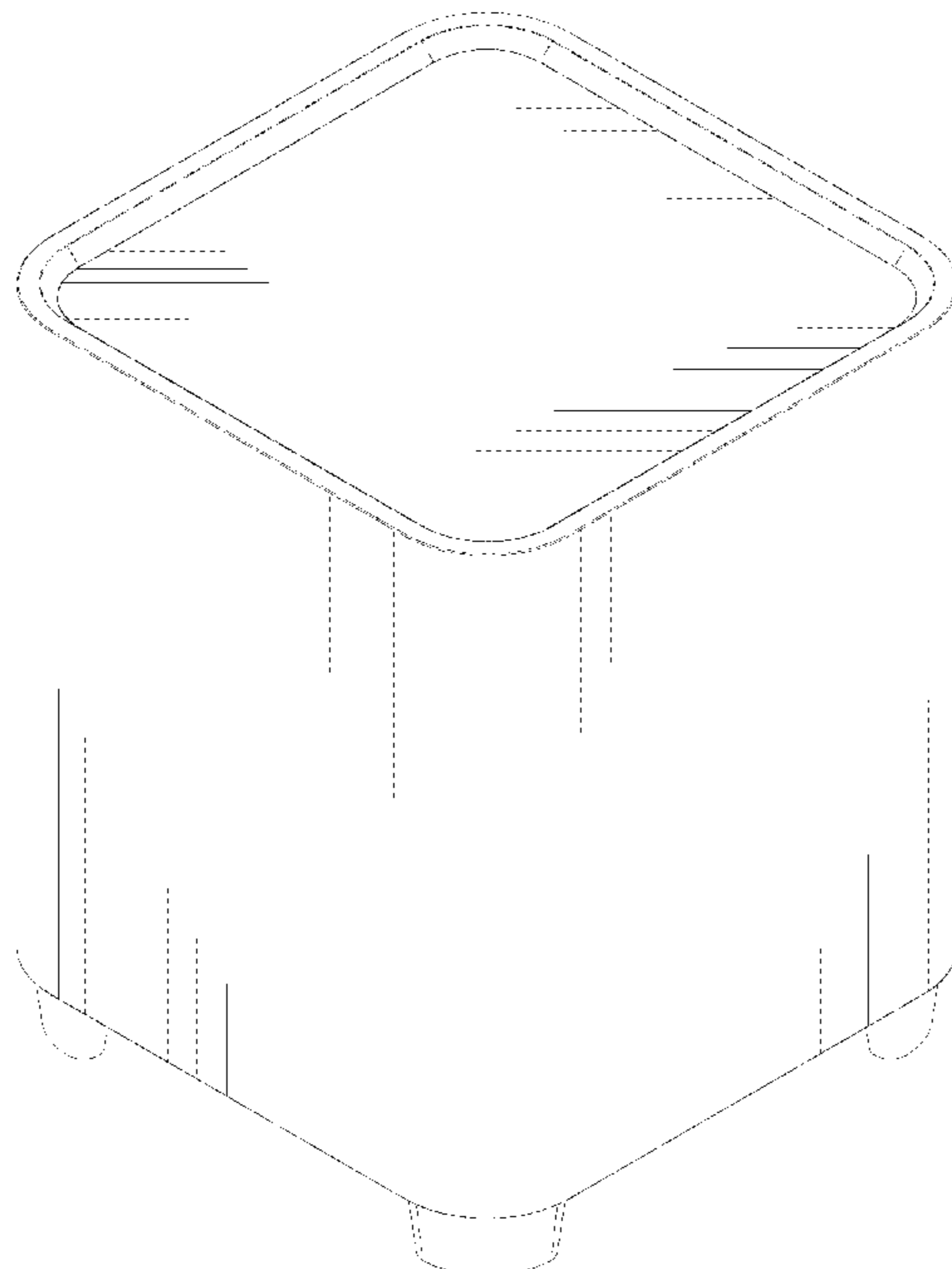
FIG. 5 is a rear elevational view thereof;

FIG. 6 is a right side view thereof; and,

FIG. 7 is a bottom plan view thereof.

The broken lines in the drawings illustrate portions of the Bluetooth speaker that form no part of the claimed design.

1 Claim, 7 Drawing Sheets



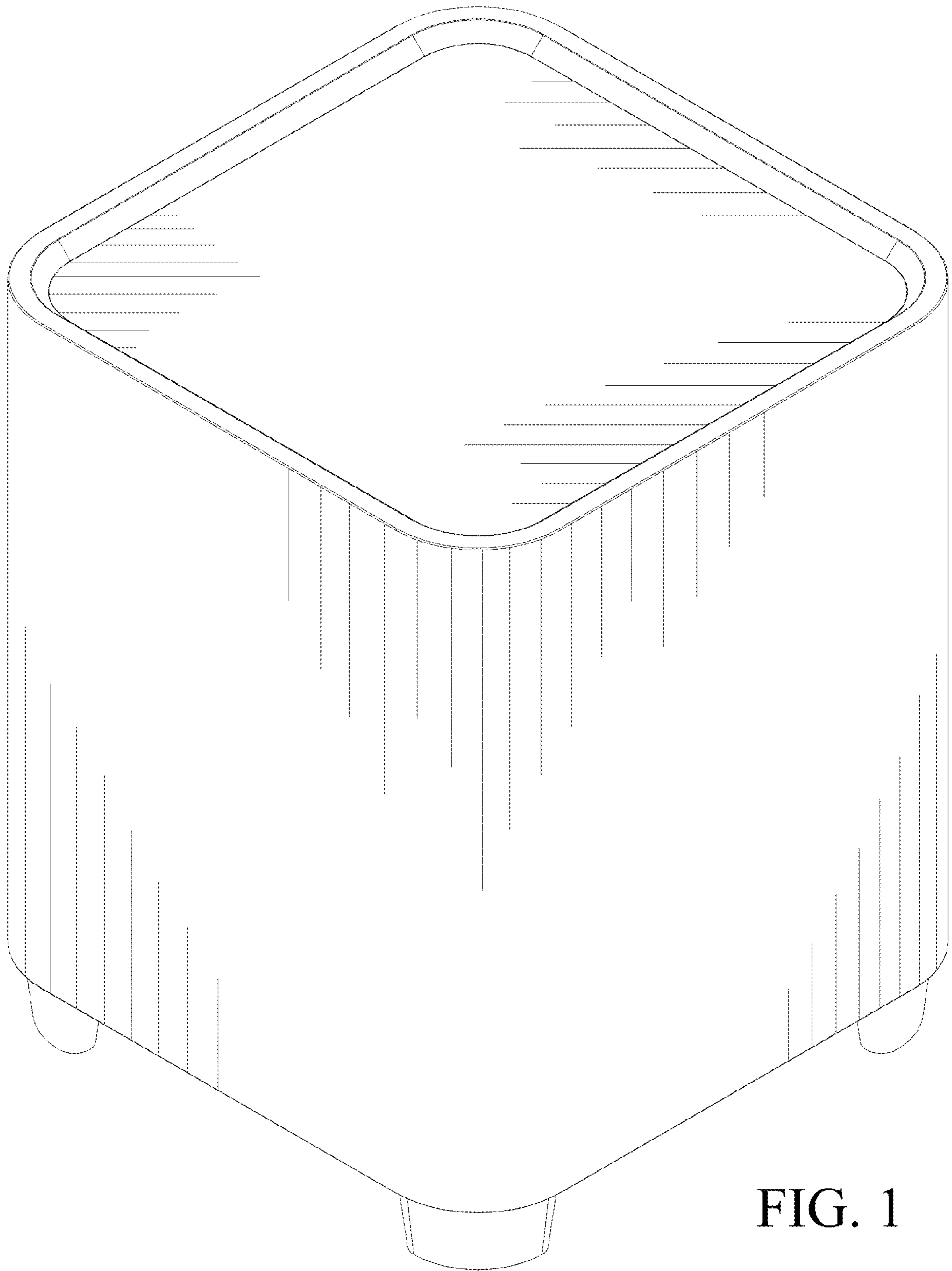


FIG. 1



FIG. 2

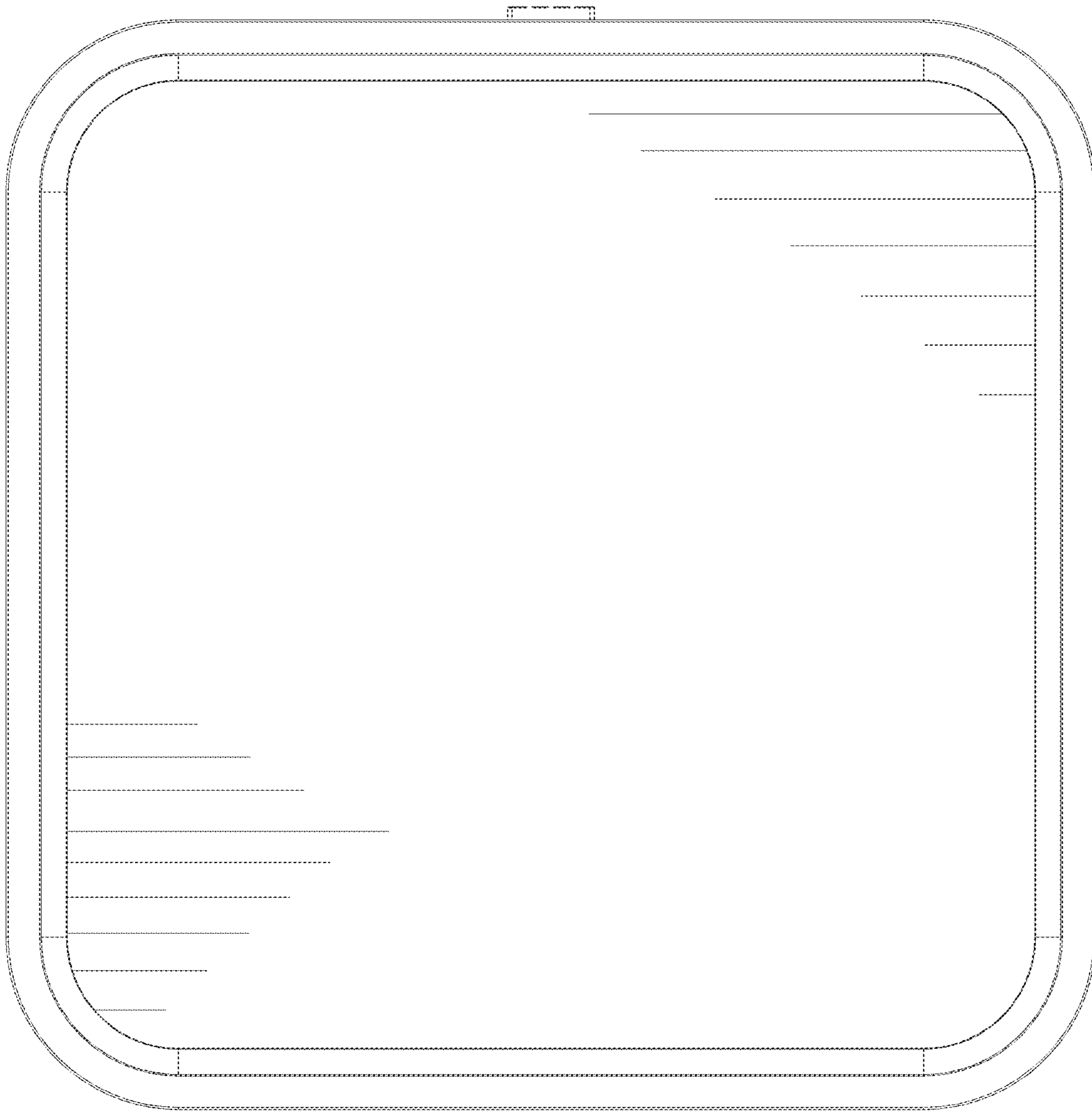


FIG. 3

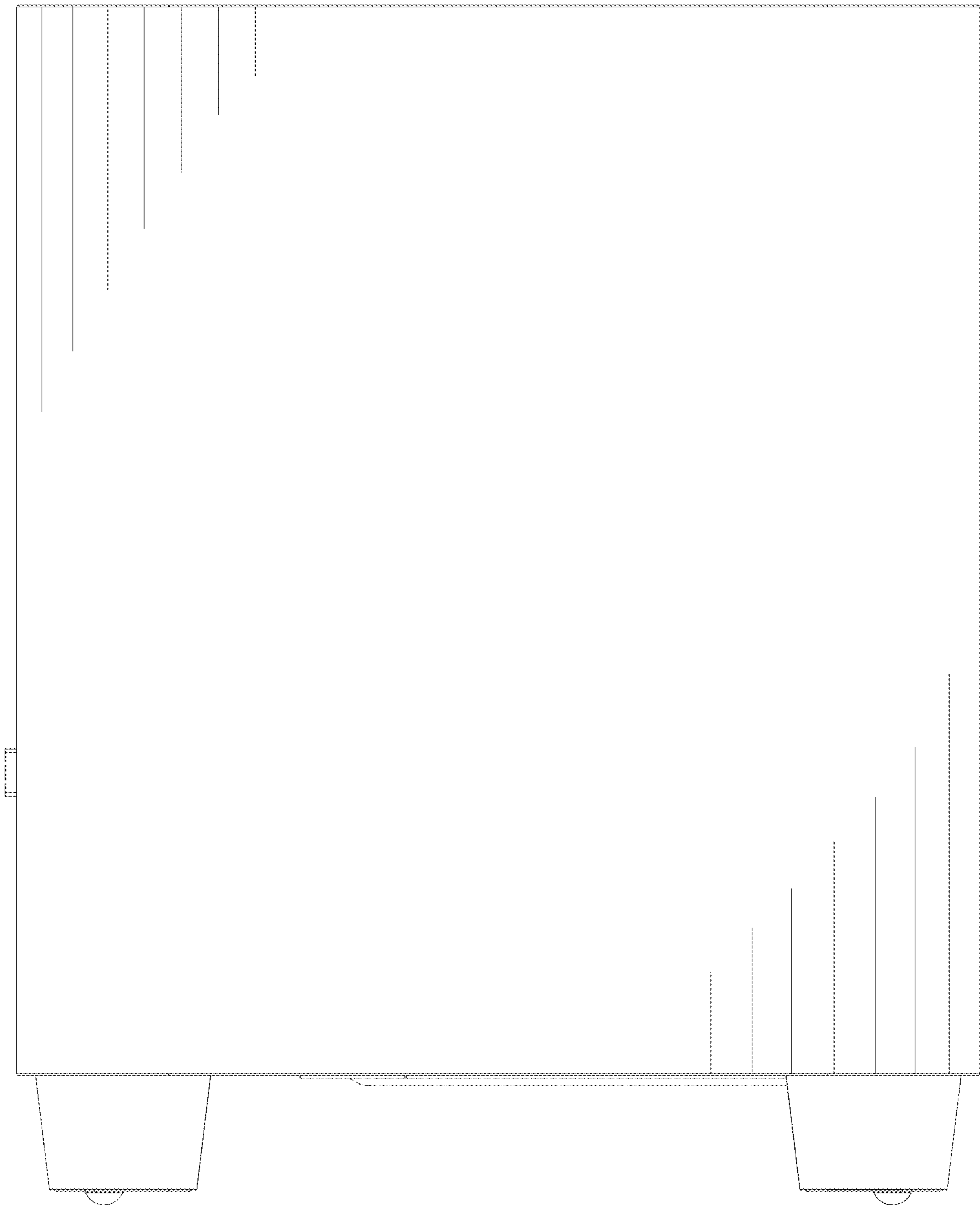


FIG. 4

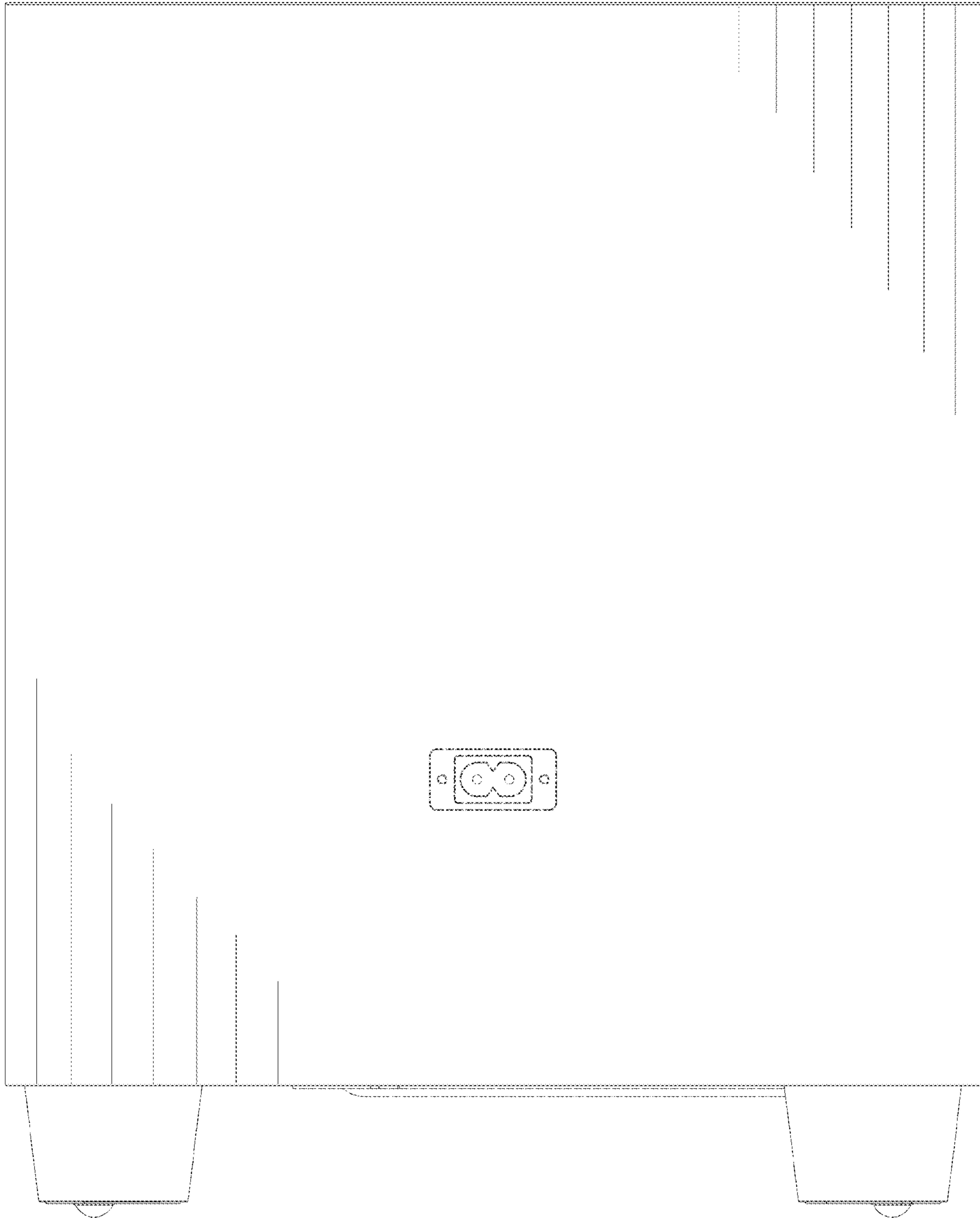


FIG. 5

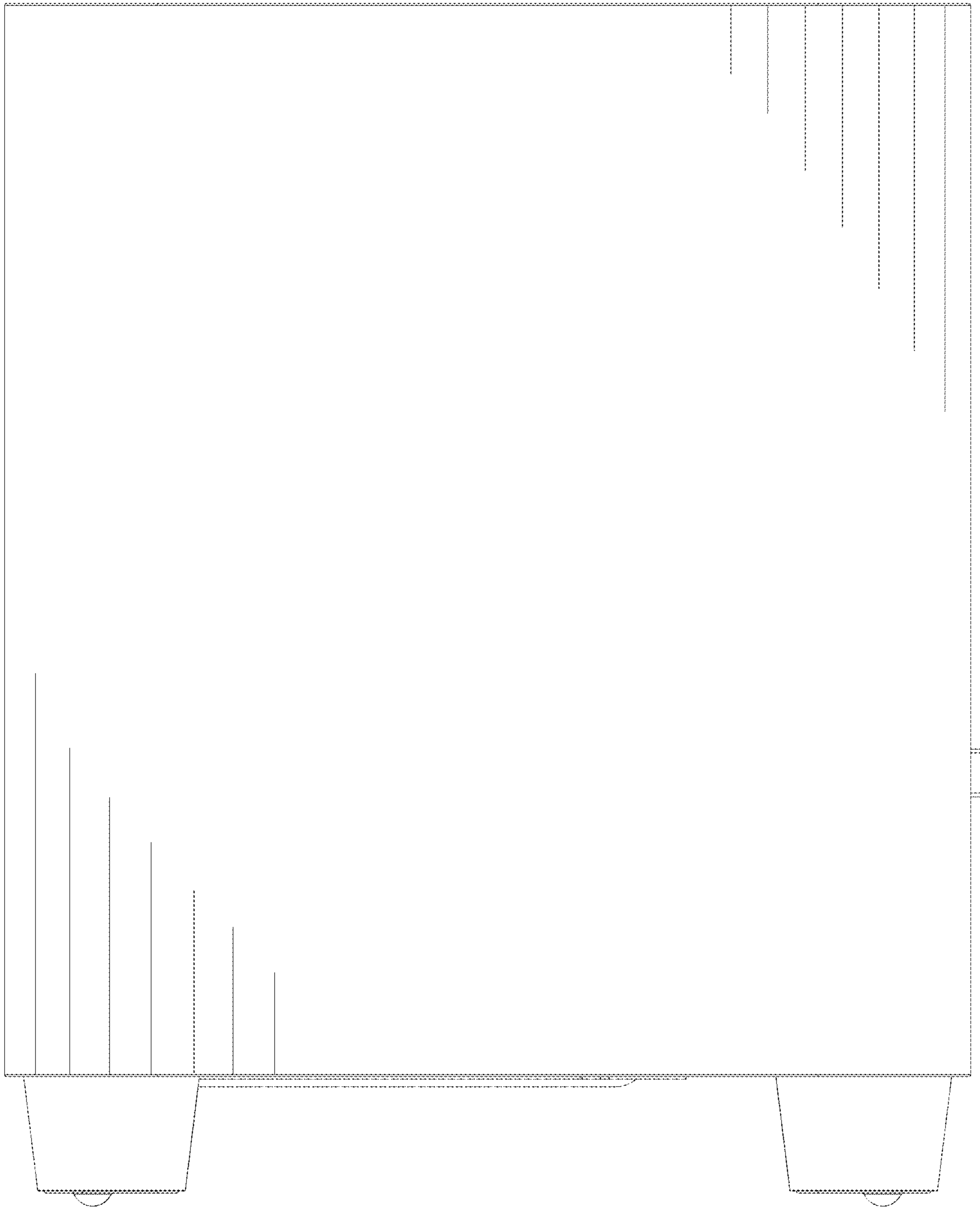


FIG. 6

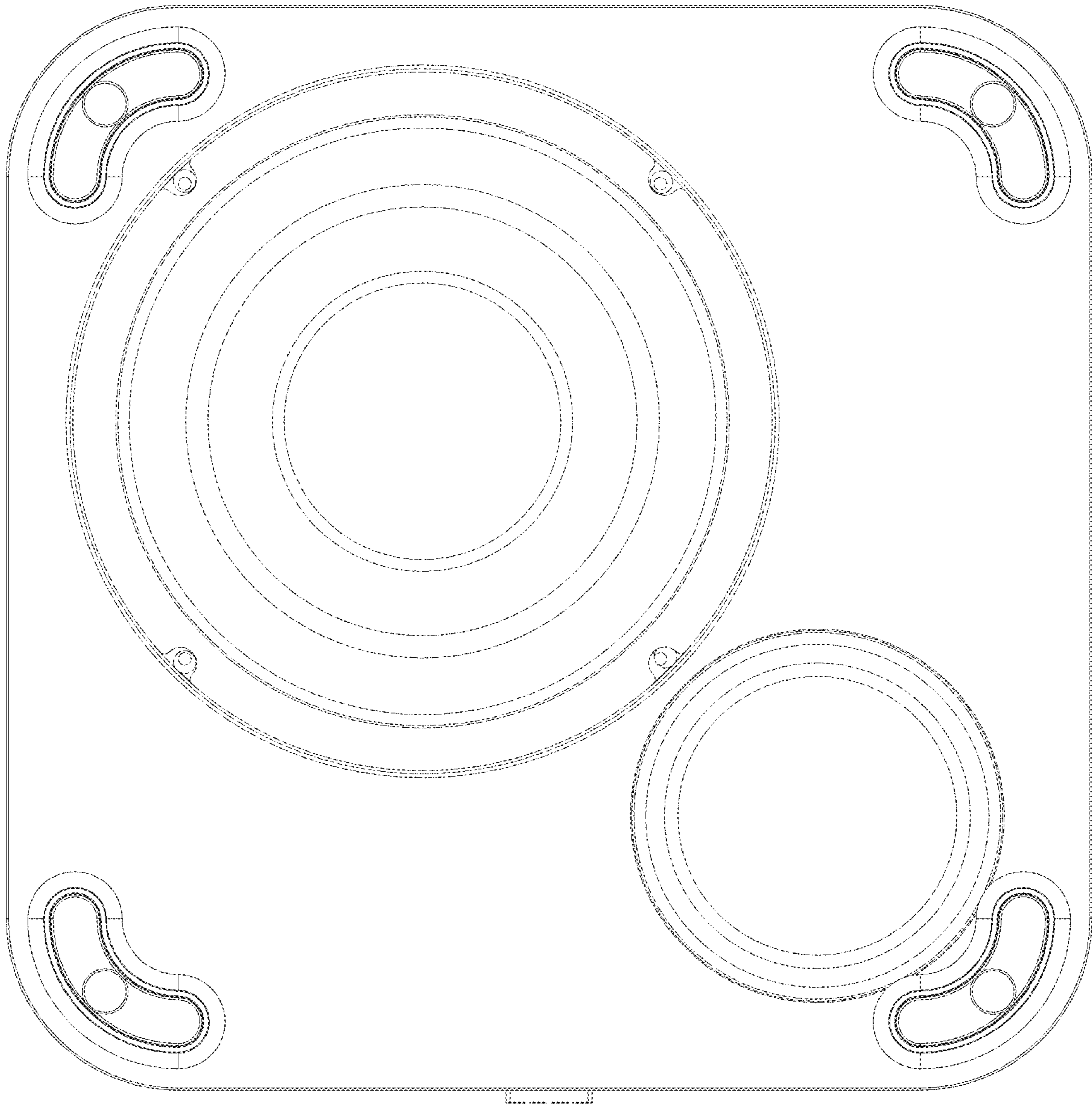


FIG. 7