



US00D888014S

(12) **United States Design Patent**
Howard et al.

(10) **Patent No.:** **US D888,014 S**
(45) **Date of Patent:** **** Jun. 23, 2020**

(54) **LOUDSPEAKER**

(71) Applicant: **Bose Corporation**, Framingham, MA (US)

(72) Inventors: **Raymond Thomas Howard**, Franklin, MA (US); **Scott Puckett**, West Warwick, RI (US)

(73) Assignee: **Bose Corporation**, Framingham, MA (US)

(**) Term: **15 Years**

(21) Appl. No.: **29/671,351**

(22) Filed: **Nov. 27, 2018**

(51) **LOC (12) Cl.** **14-01**

(52) **U.S. Cl.**
USPC **D14/214**

(58) **Field of Classification Search**
USPC D14/167, 168, 170–172, 188, 194–196, D14/204, 209.1, 210–216, 219, 221, 222, D14/224, 239, 496

CPC B60R 11/0217; G06F 1/1688; G10K 9/22; G10K 11/004; H03F 1/327; H04M 1/03; H04M 1/035; H04N 5/642; H04N 21/4852; H04R 1/02; H04R 1/06; H04R 1/021; H04R 1/025; H04R 1/026; H04R 1/028; H04R 1/105; H04R 1/323; H04R 1/403; H04R 1/2803; H04R 1/2834; H04R 5/02; H04R 7/20; H04R 9/06; H04R 9/025; H04R 2201/021; H04R 2400/00; H04R 2400/07; H04R 2499/11; H04R 2499/13; H04R 2499/15; H04S 3/00; H04S 7/30

See application file for complete search history.

(56) **References Cited**

U.S. PATENT DOCUMENTS

D242,474 S * 11/1976 Croup D14/211
D251,973 S * 5/1979 Klopfer H04R 3/12
D14/214

D389,483 S * 1/1998 Christie D14/214
D426,229 S * 6/2000 Lin D14/214
7,328,769 B1 * 2/2008 Adamson H04R 1/026
181/144
D712,878 S * 9/2014 Azumi D14/204
D742,854 S 11/2015 Warden et al.
D753,092 S 4/2016 Warden et al.
D756,328 S 5/2016 Warden
D784,955 S 4/2017 Warden et al.
D836,603 S * 12/2018 Warden D14/214
D837,766 S * 1/2019 Nicolas D14/214

(Continued)

Primary Examiner — Keli L Hill

(74) *Attorney, Agent, or Firm* — Bose Corporation

(57) **CLAIM**

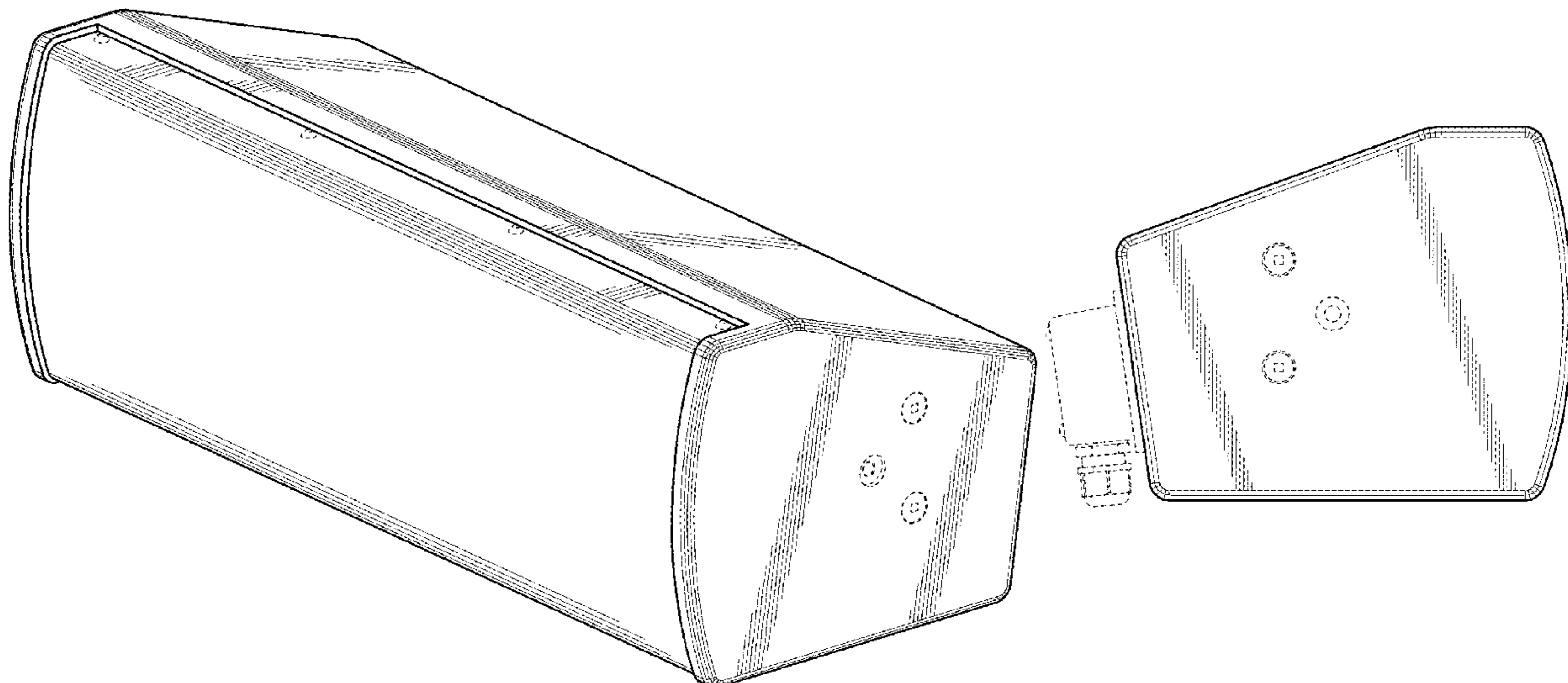
The ornamental design for a loudspeaker, substantially as shown and described.

DESCRIPTION

FIG. 1 is a perspective view of a first embodiment of a loudspeaker as seen from the front, top and right side; FIG. 2 is a front view thereof; FIG. 3 is a back view thereof; FIG. 4 is a top view thereof; FIG. 5 is a bottom view thereof; FIG. 6 is a left side view thereof; FIG. 7 is a right side view thereof; FIG. 8 is a perspective view of a second embodiment of a loudspeaker as seen from the front, top and right side; FIG. 9 is a front view thereof; FIG. 10 is a back view thereof; FIG. 11 is a top view thereof; FIG. 12 is a bottom view thereof; FIG. 13 is a left side view thereof; and, FIG. 14 is a right side view thereof.

The dotted line portions of the drawings represent environmental structure only and form no part of the claimed design.

1 Claim, 12 Drawing Sheets



(56)

References Cited

U.S. PATENT DOCUMENTS

D841,624 S *	2/2019	Nicolas	D14/214
10,250,967 B2 *	4/2019	Lippitt	H04R 3/12
D853,989 S *	7/2019	Spillmann	H04R 1/026
			D14/214
2007/0075202 A1 *	4/2007	Gordon	F16M 11/08
			248/289.11

* cited by examiner

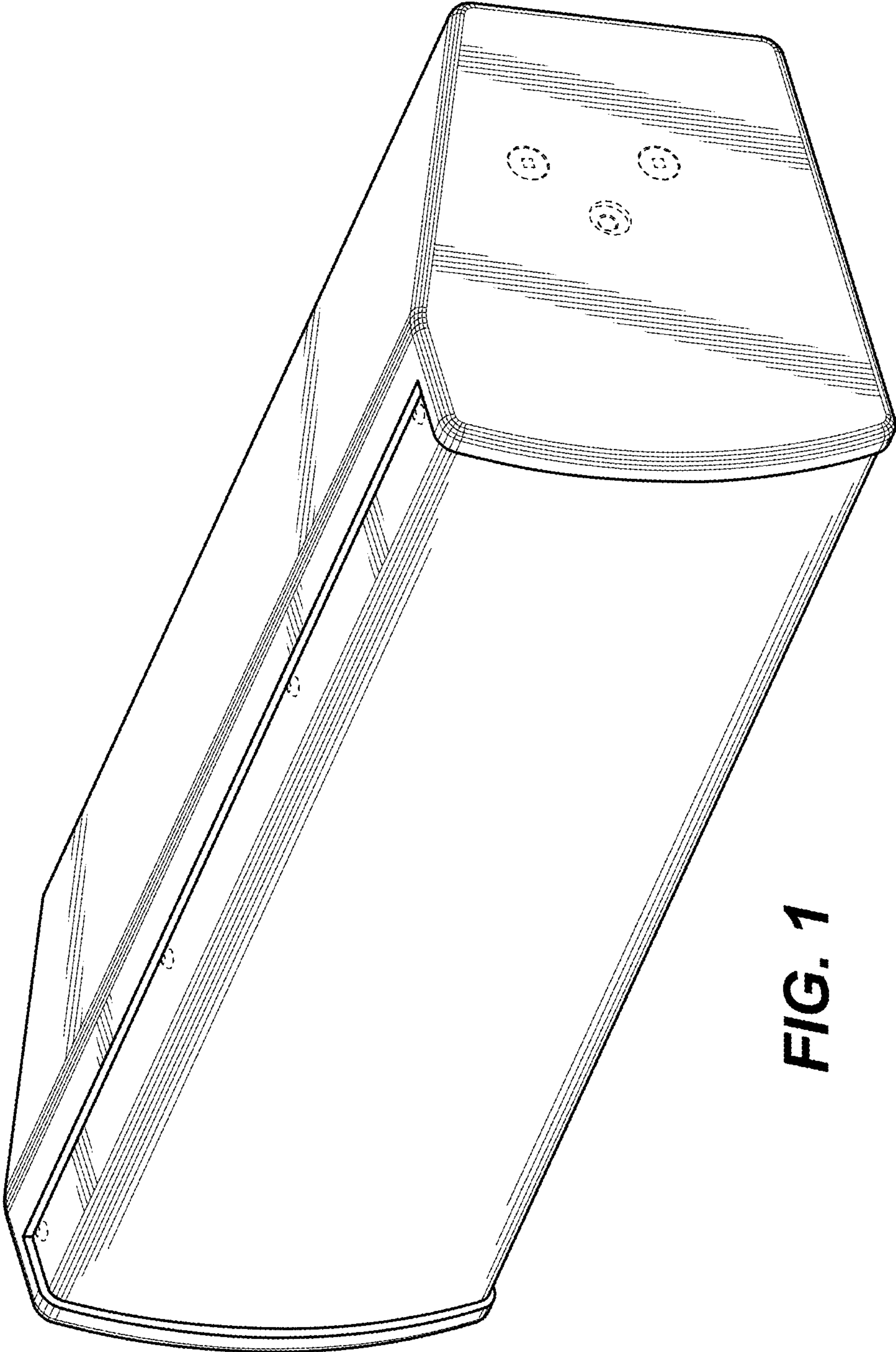


FIG. 1

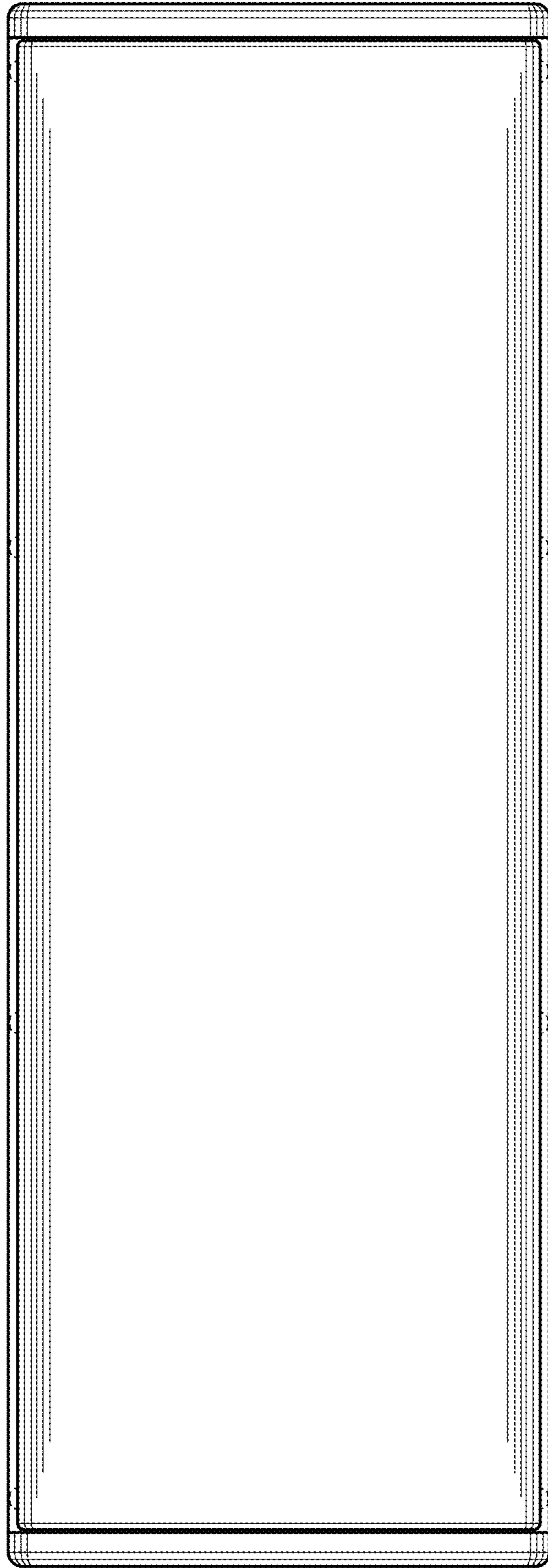


FIG. 2

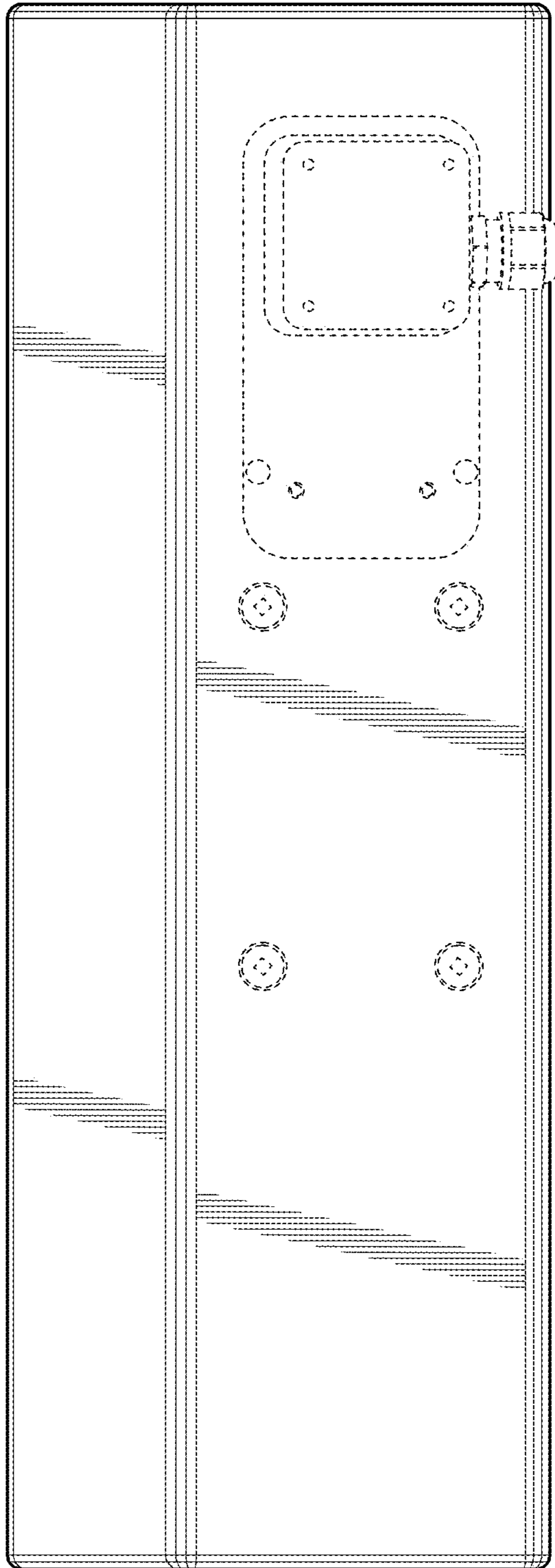


FIG. 3

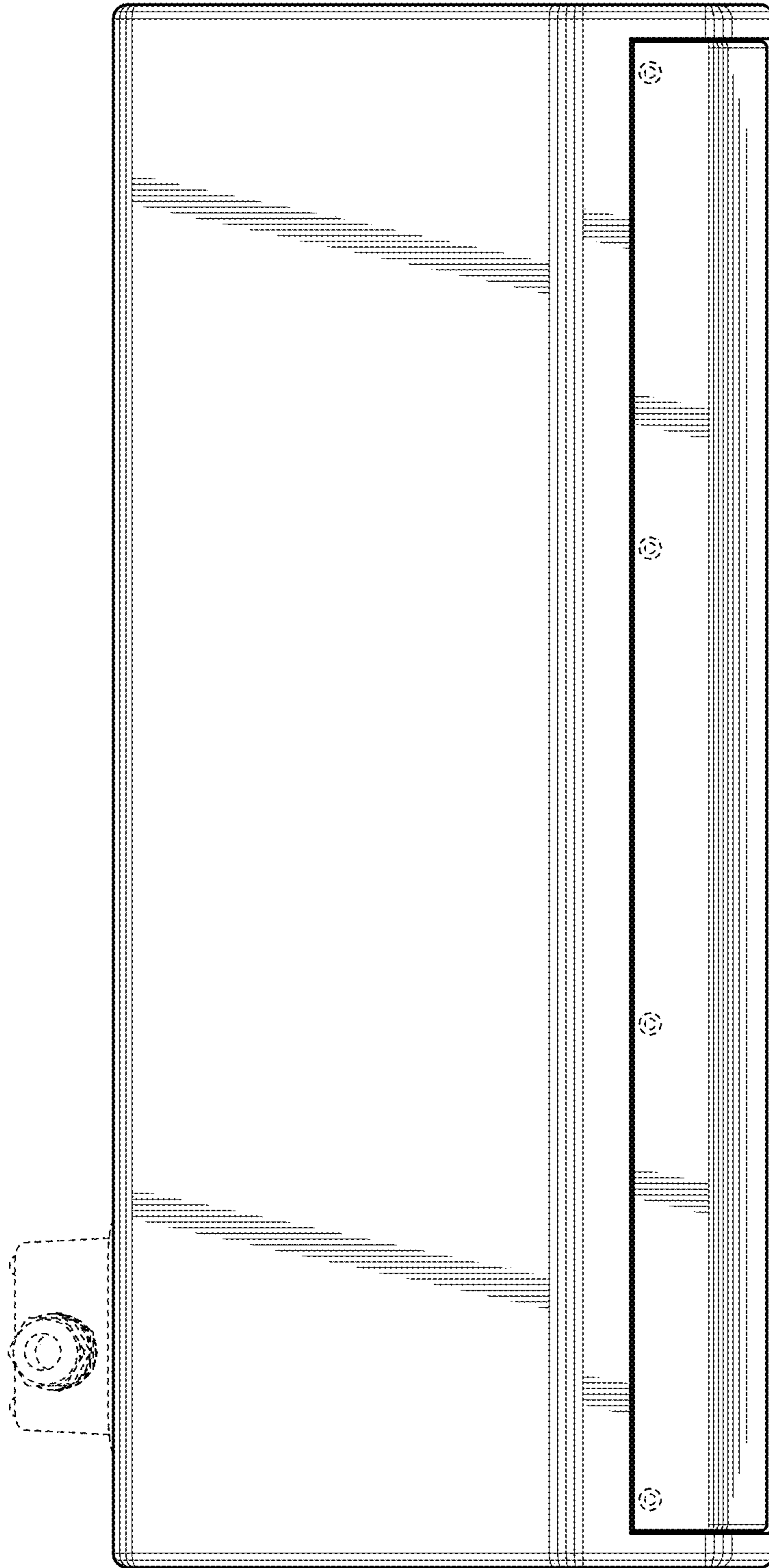


FIG. 4

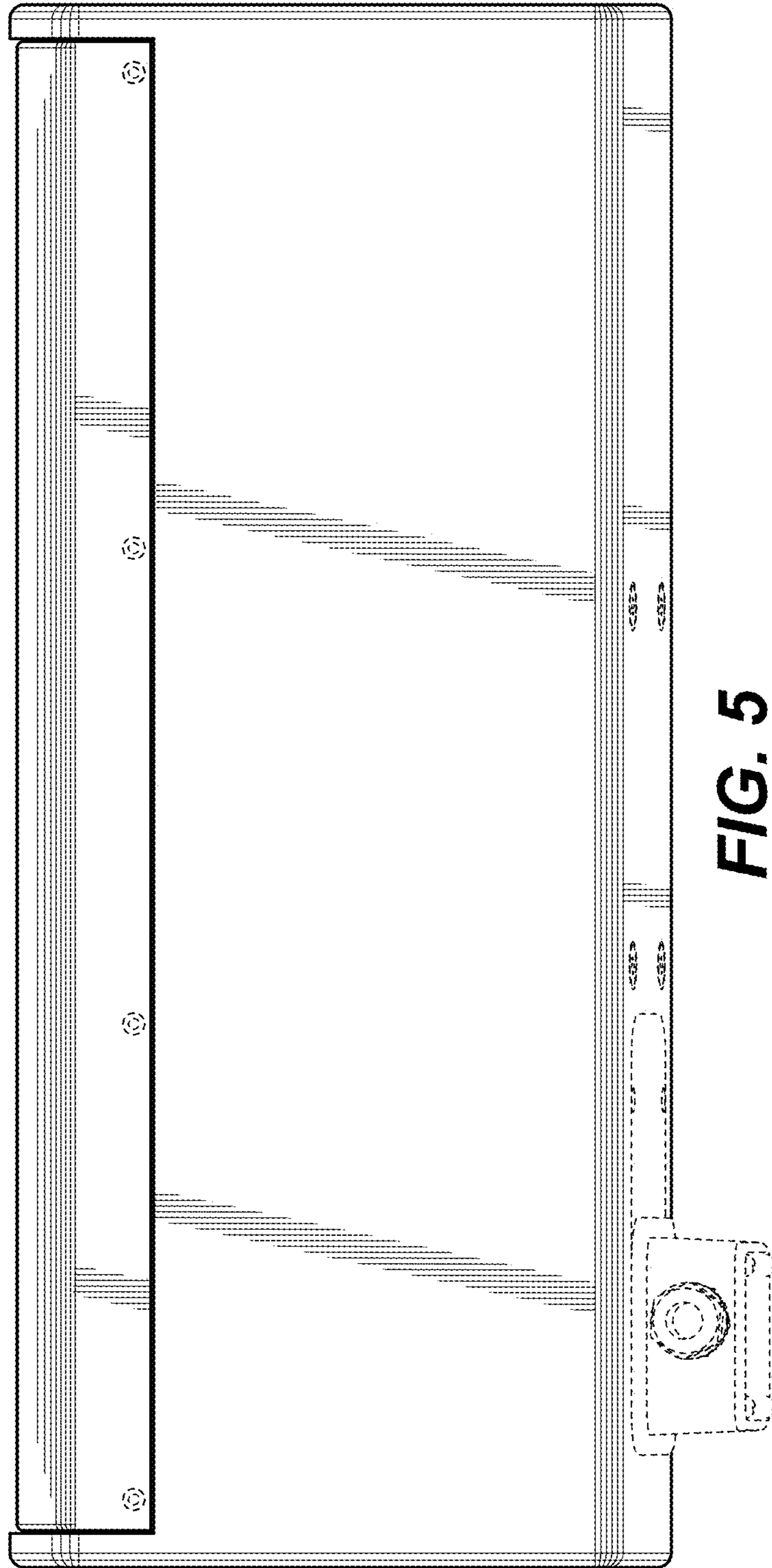


FIG. 5

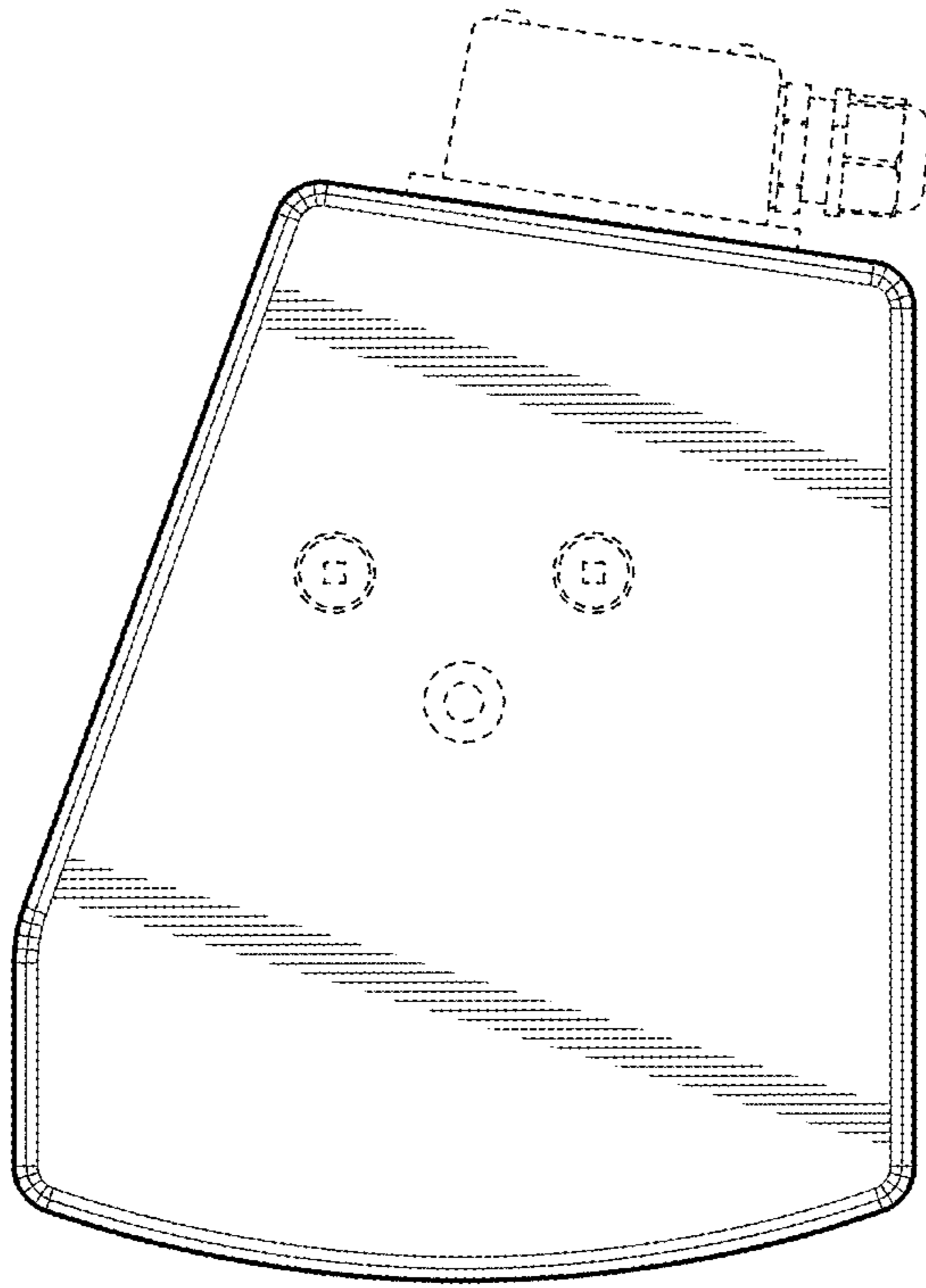


FIG. 7

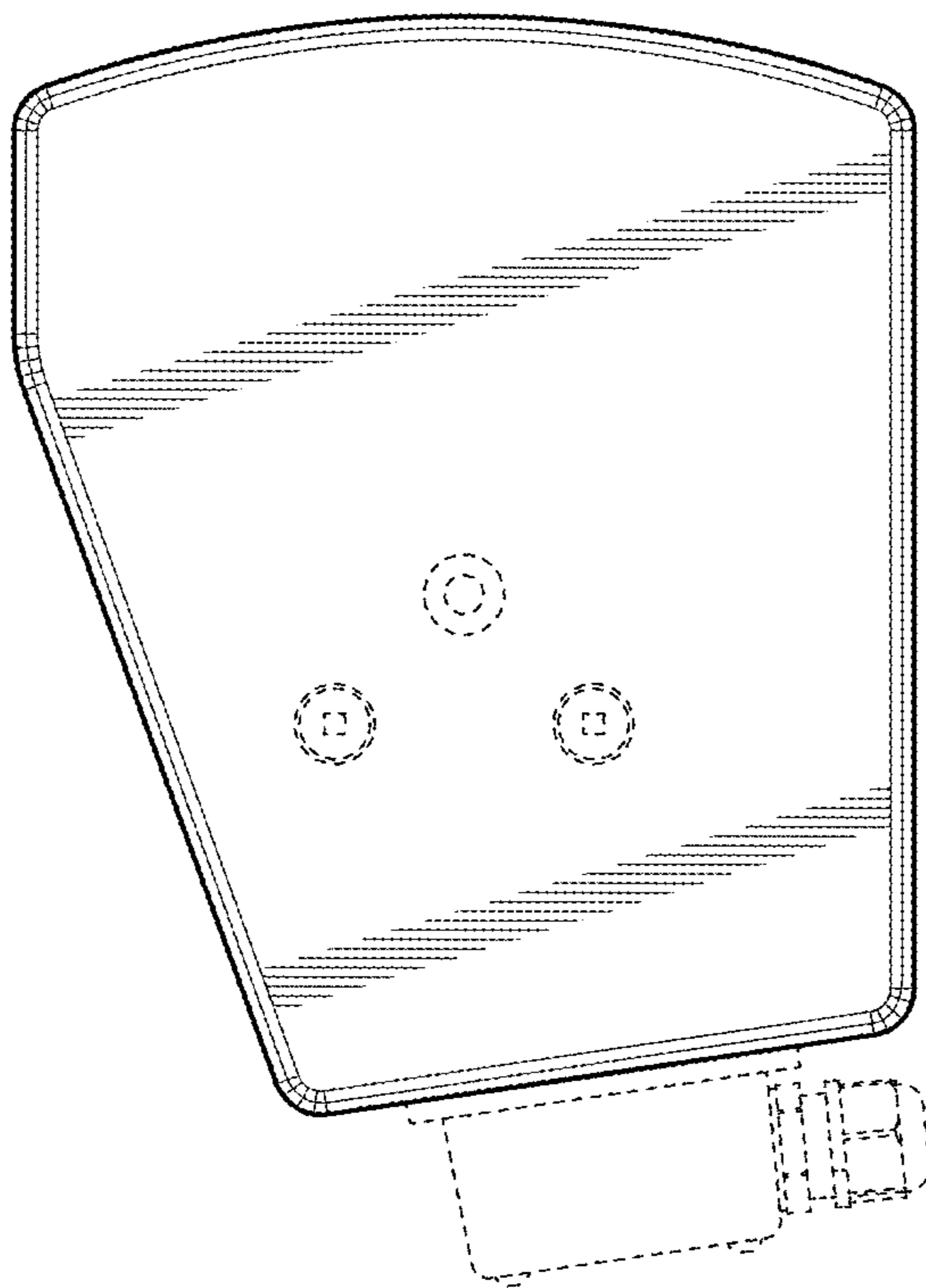


FIG. 6

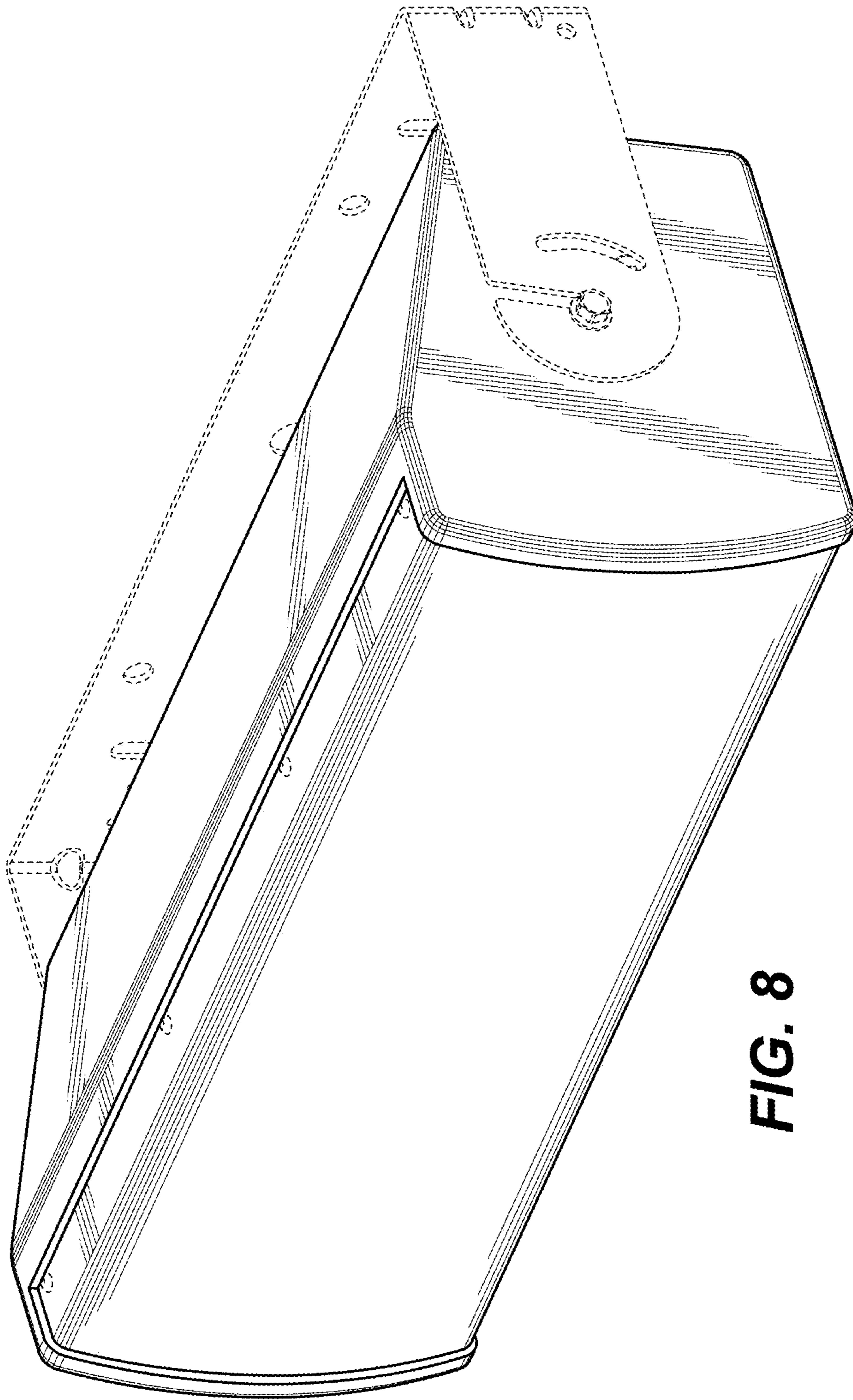


FIG. 8

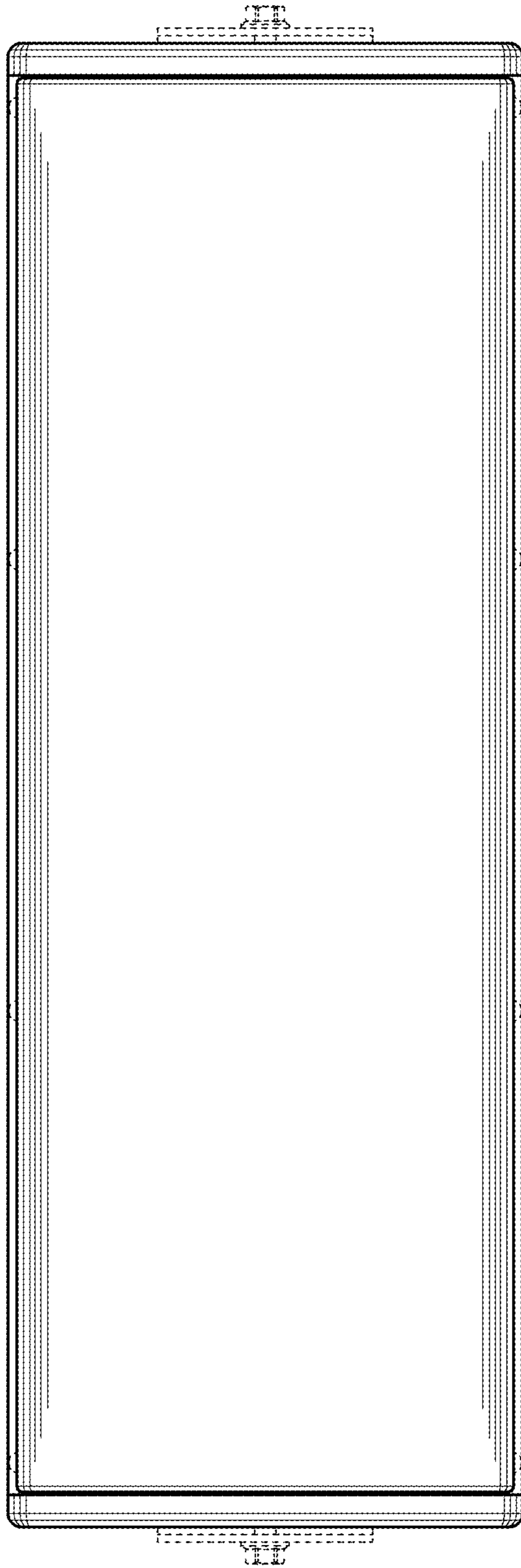


FIG. 9

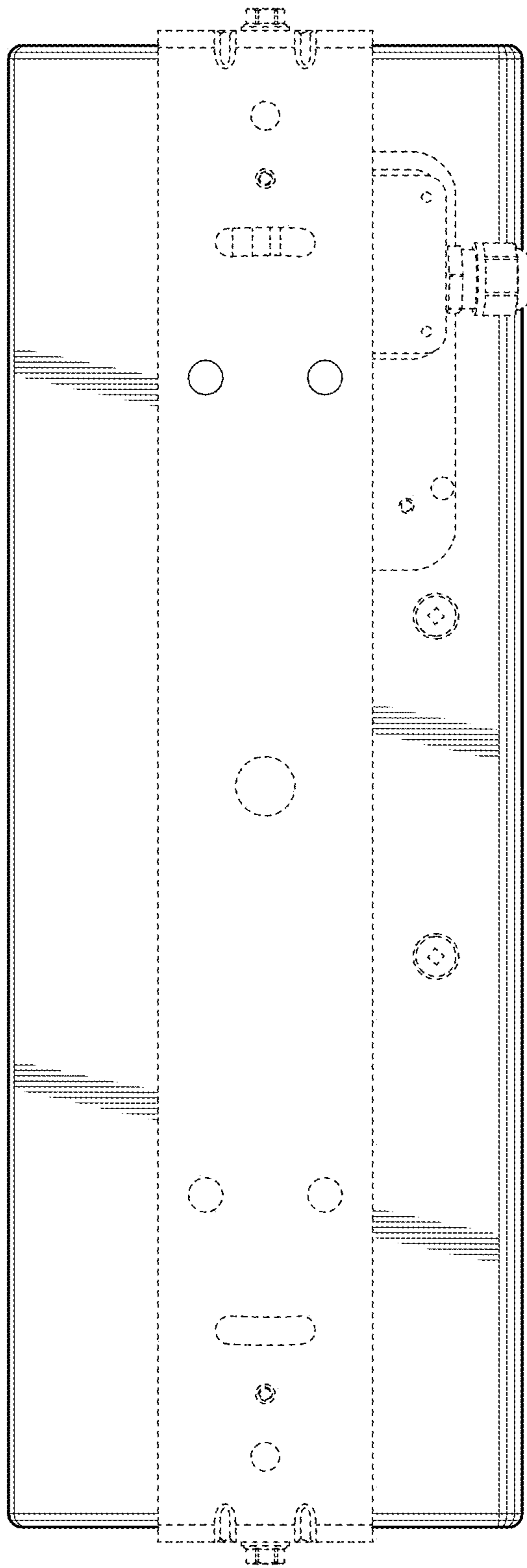


FIG. 10

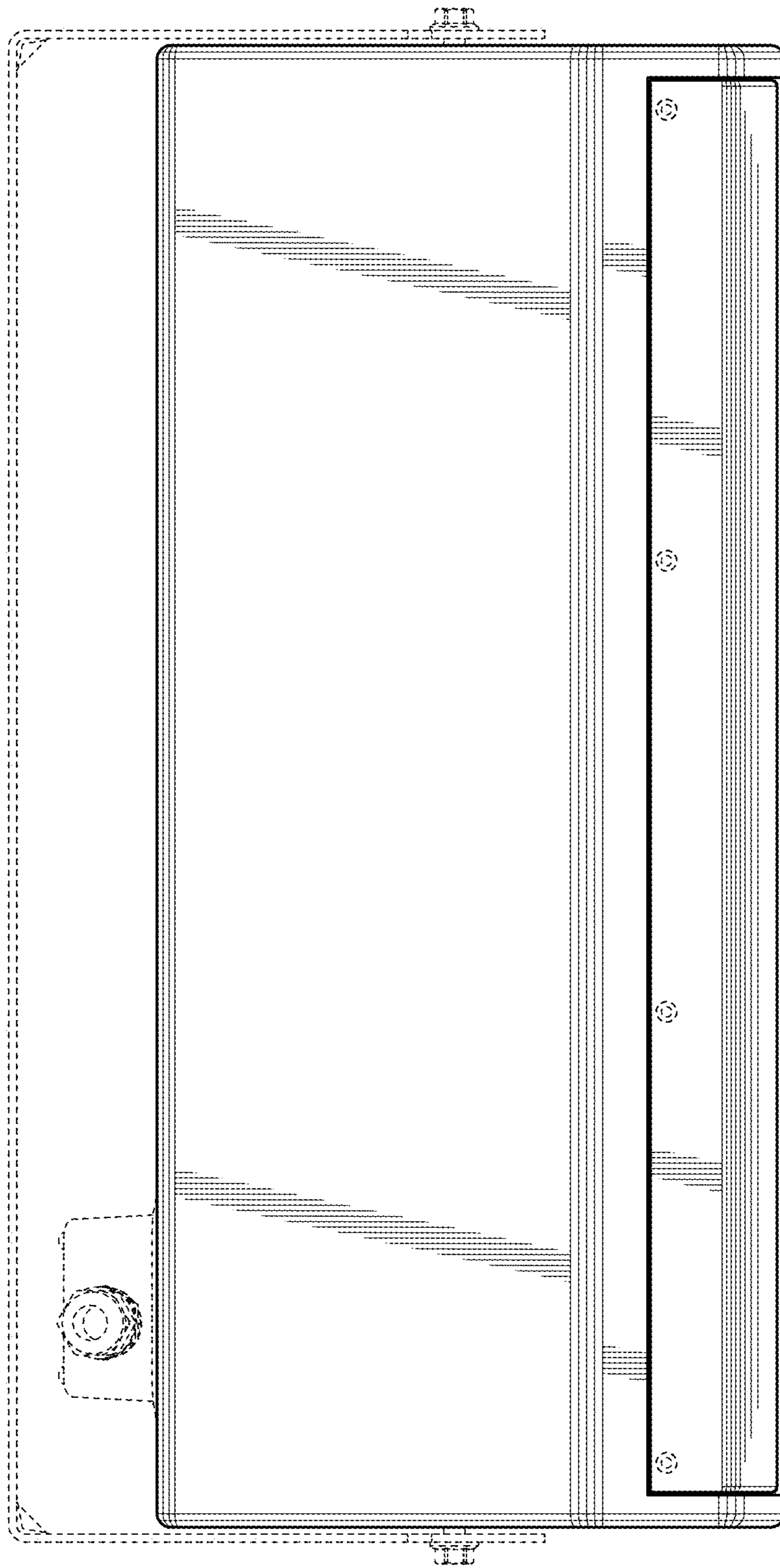


FIG. 11

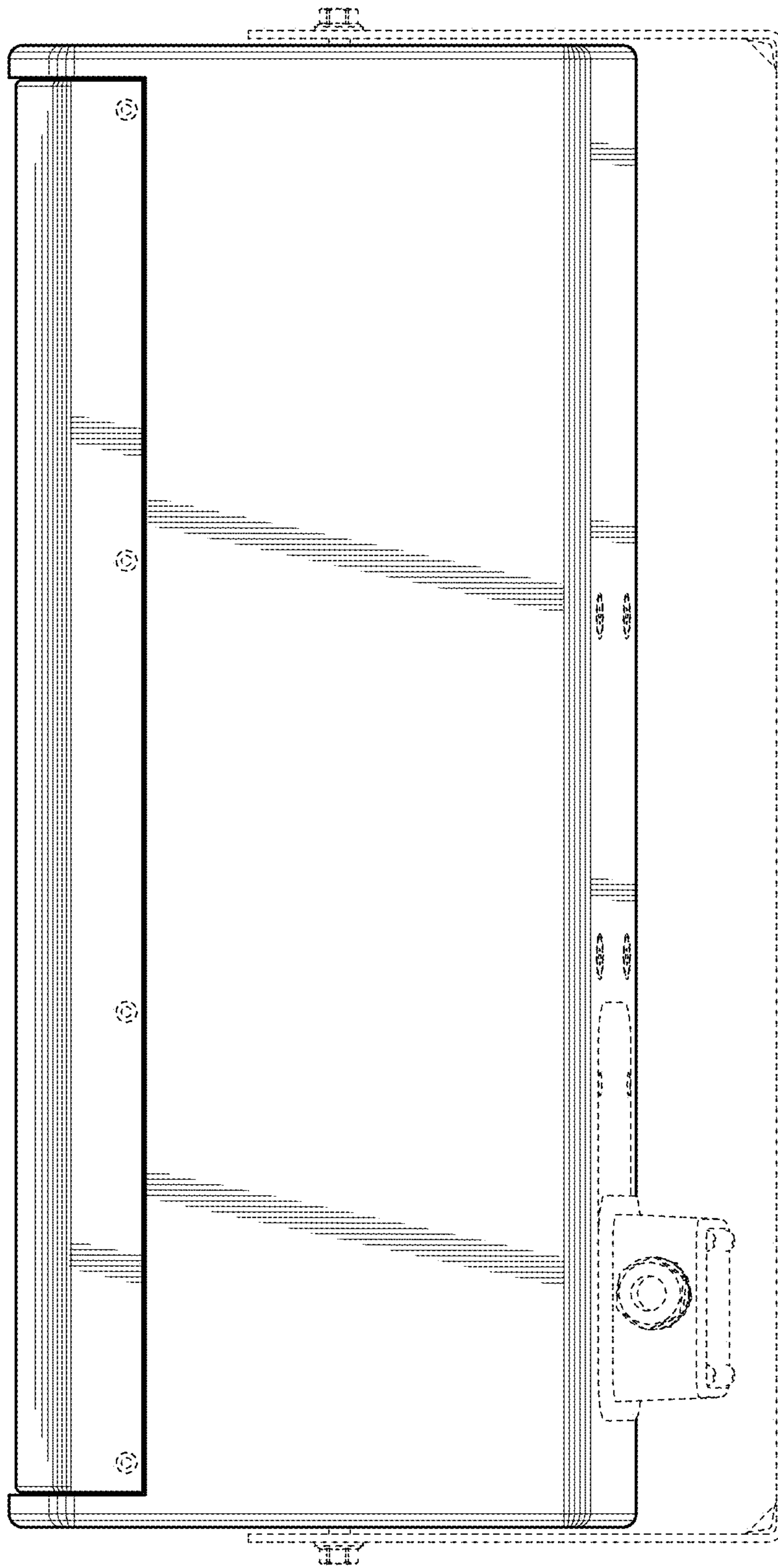


FIG. 12

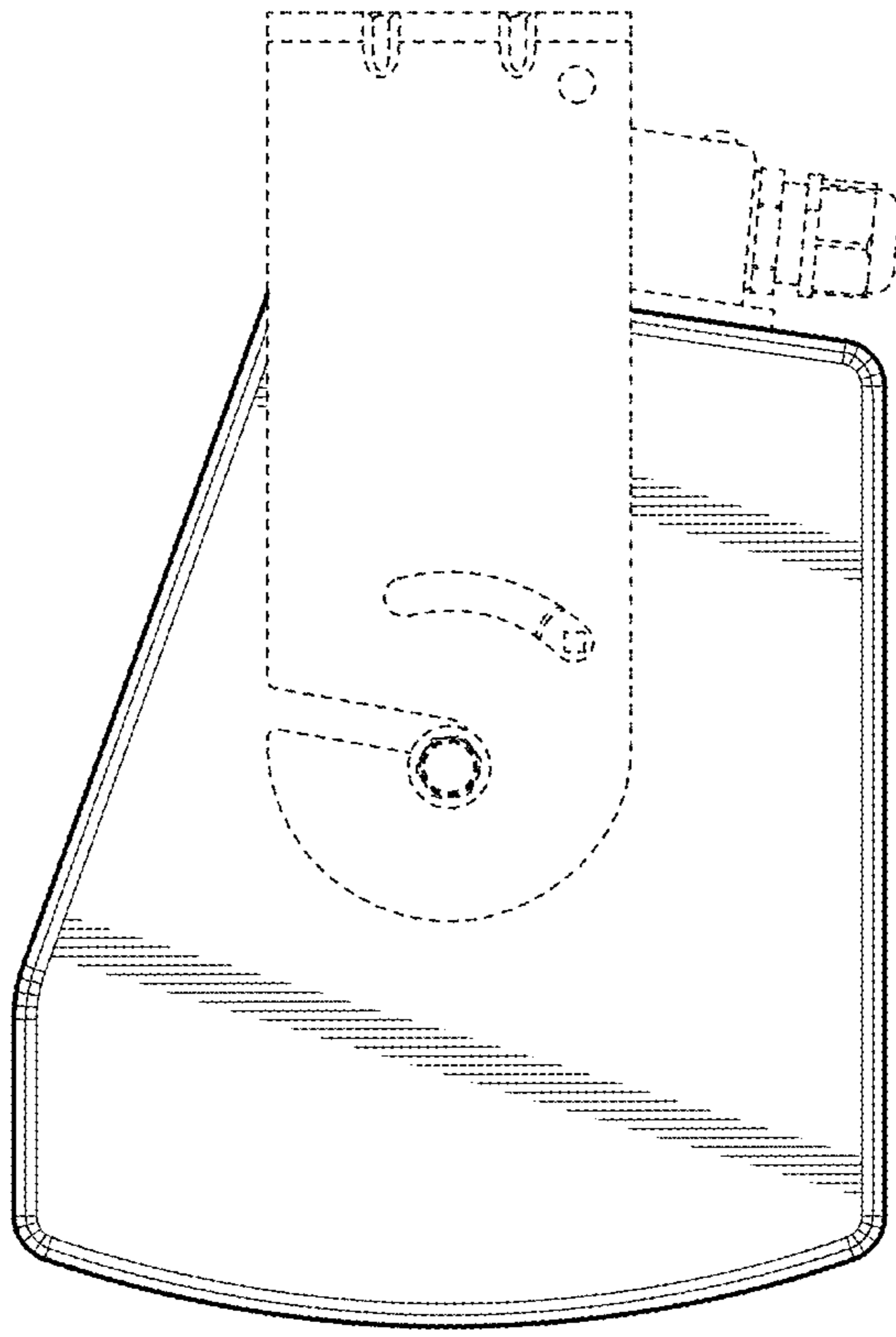


FIG. 14

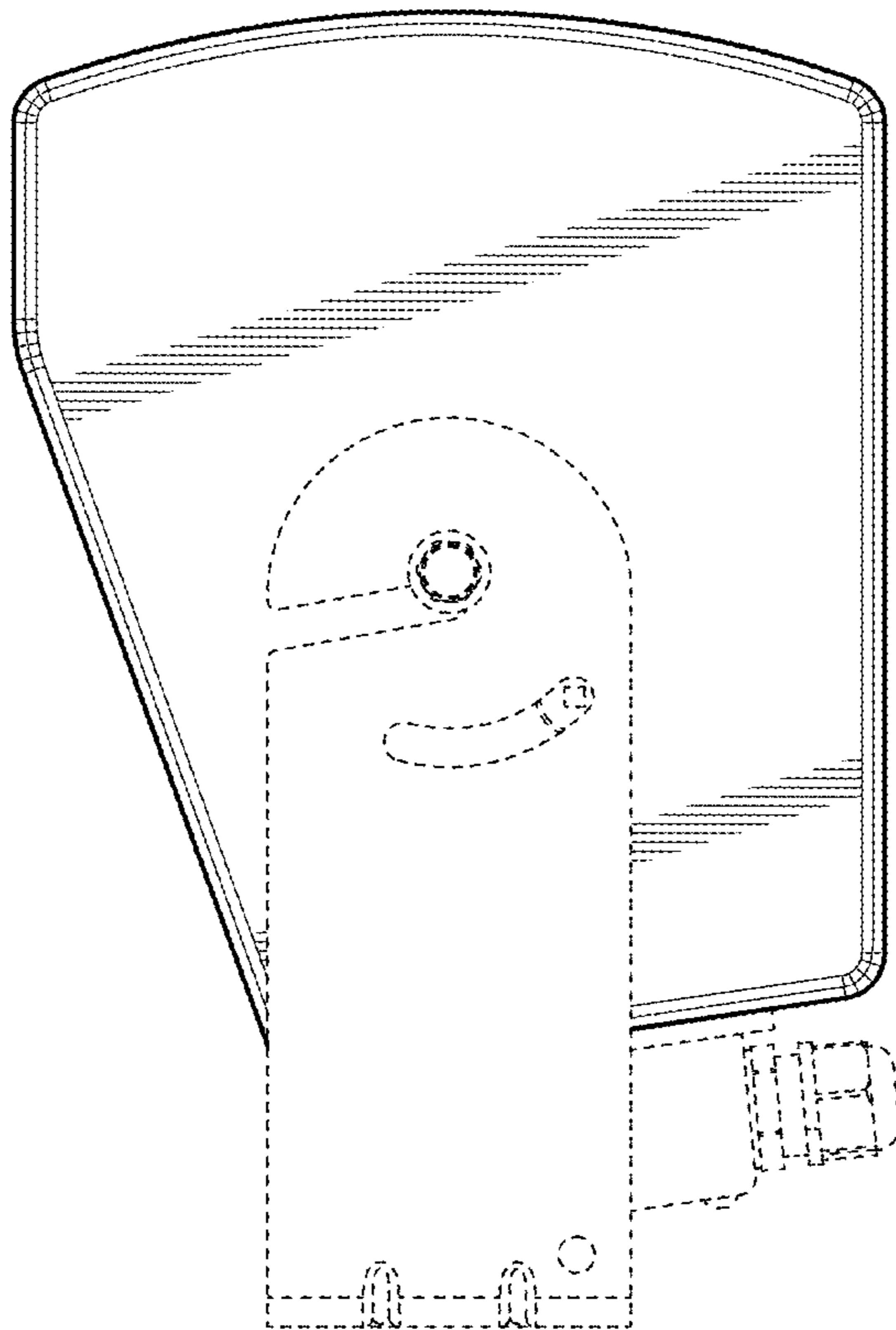


FIG. 13