



US00D888013S

(12) **United States Design Patent**  
**Yu et al.**

(10) **Patent No.:** **US D888,013 S**  
(45) **Date of Patent:** **\*\* Jun. 23, 2020**

(54) **WIRELESS SPEAKER**

2201/021; H04R 2400/00; H04R 2400/07;  
H04R 2499/11; H04R 2499/13; H04R  
2499/15

(71) Applicant: **Shenzhen Divoom Technology Co., LTD.**, Shenzhen (CN)

See application file for complete search history.

(72) Inventors: **Chaoliang Yu**, Shenzhen (CN); **Yulu Guo**, Shenzhen (CN)

(56) **References Cited**

(73) Assignee: **Shenzhen Divoom Technology, Co. Ltd.**, Shenzhen (CN)

U.S. PATENT DOCUMENTS

(\*\*) Term: **15 Years**

D234,536 S *	3/1975	Taguchi et al. ....	D14/196
D752,541 S *	3/2016	Holzer .....	D14/204
D813,198 S *	3/2018	Lin .....	D14/214
D837,185 S *	1/2019	Enqvist .....	D14/214
D845,267 S *	4/2019	Zeng .....	D14/194
D851,056 S *	6/2019	Zeng .....	D14/188

(21) Appl. No.: **29/658,382**

\* cited by examiner

(22) Filed: **Jul. 31, 2018**

*Primary Examiner* — Keli L Hill

(30) **Foreign Application Priority Data**

(74) *Attorney, Agent, or Firm* — Robert A. Blaha; Smith Tempel Blaha LLC

Jun. 13, 2018 (CN) ..... 2018 3 0300647

(51) **LOC (12) Cl.** ..... **14-01**

(52) **U.S. Cl.**  
USPC ..... **D14/214**

(57) **CLAIM**

The ornamental design for a wireless speaker, as shown and described.

(58) **Field of Classification Search**

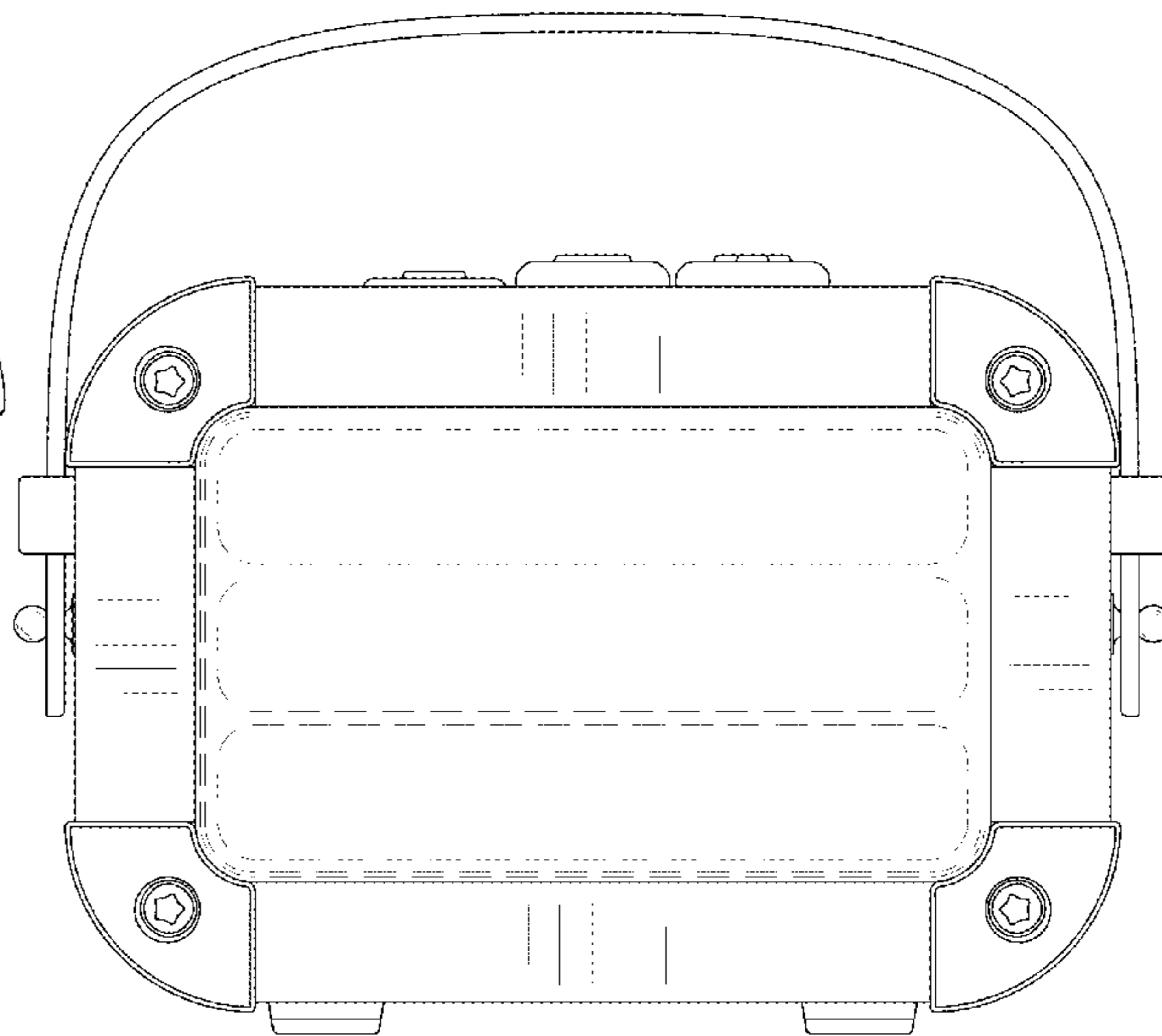
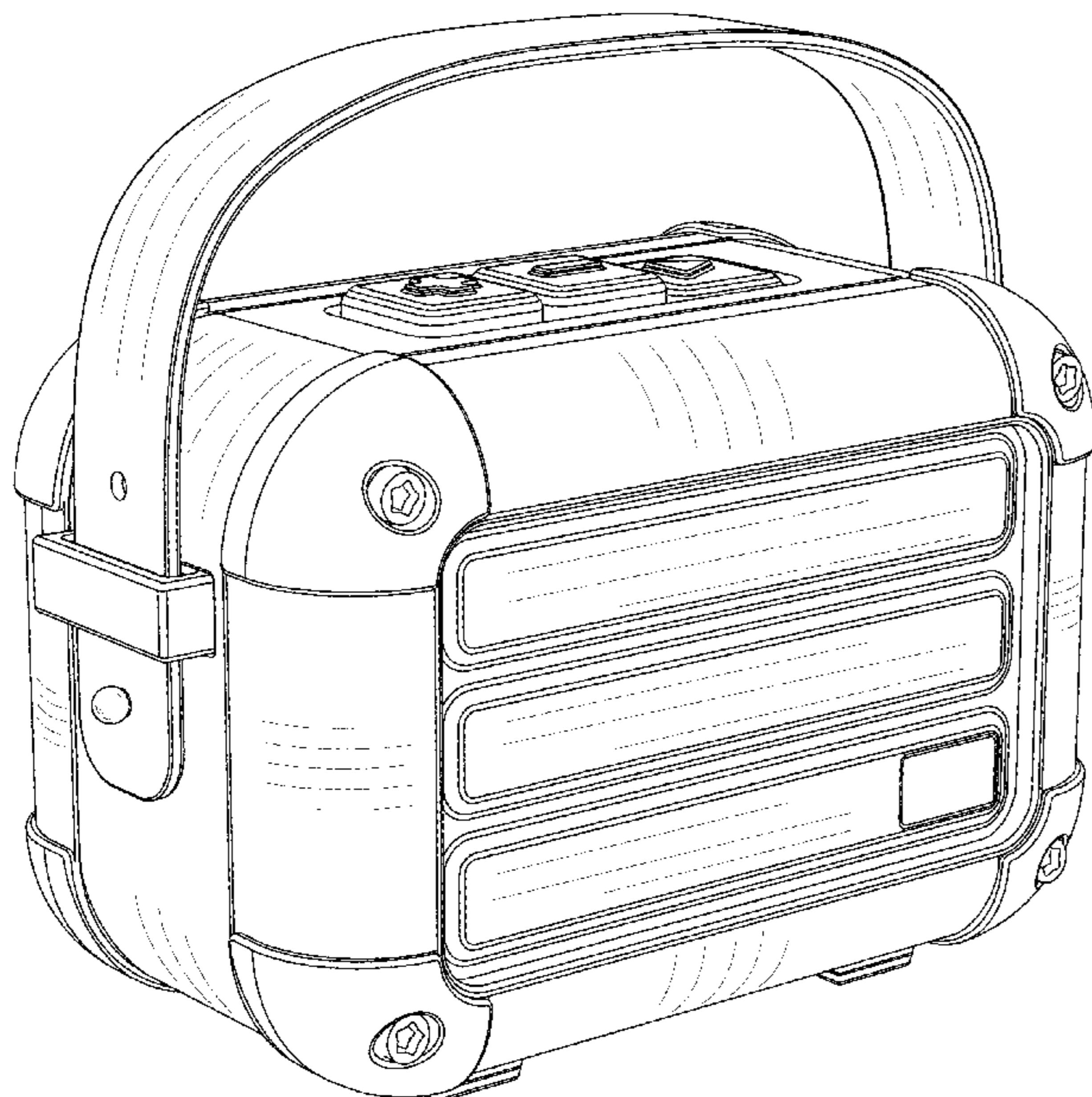
**DESCRIPTION**

USPC ..... D14/167, 168, 170–172, 188, 194–196, D14/204, 209.1, 210–216, 219, 221, 222, D14/224, 239, 496

CPC ..... B60R 11/0217; G06F 1/1688; G10K 9/22; G10K 11/004; H03F 1/327; H04M 1/03; H04M 1/035; H04N 5/642; H04N 21/4852; H04S 3/00; H04S 7/30; H04R 1/02; H04R 1/06; H04R 1/021; H04R 1/025; H04R 1/026; H04R 1/028; H04R 1/105; H04R 1/323; H04R 1/403; H04R 1/2803; H04R 1/2834; H04R 5/02; H04R 7/20; H04R 9/06; H04R 9/025; H04R

FIG. 1 is a front perspective view of a wireless speaker showing our new design;  
FIG. 2 is a front view thereof;  
FIG. 3 is a rear view thereof;  
FIG. 4 is a left-side view thereof;  
FIG. 5 is a right-side view thereof;  
FIG. 6 is a top view thereof; and,  
FIG. 7 is a bottom view thereof.  
Broken lines shown in the drawings represent unclaimed portions of the wireless speaker and form no part of the claimed design.

**1 Claim, 7 Drawing Sheets**



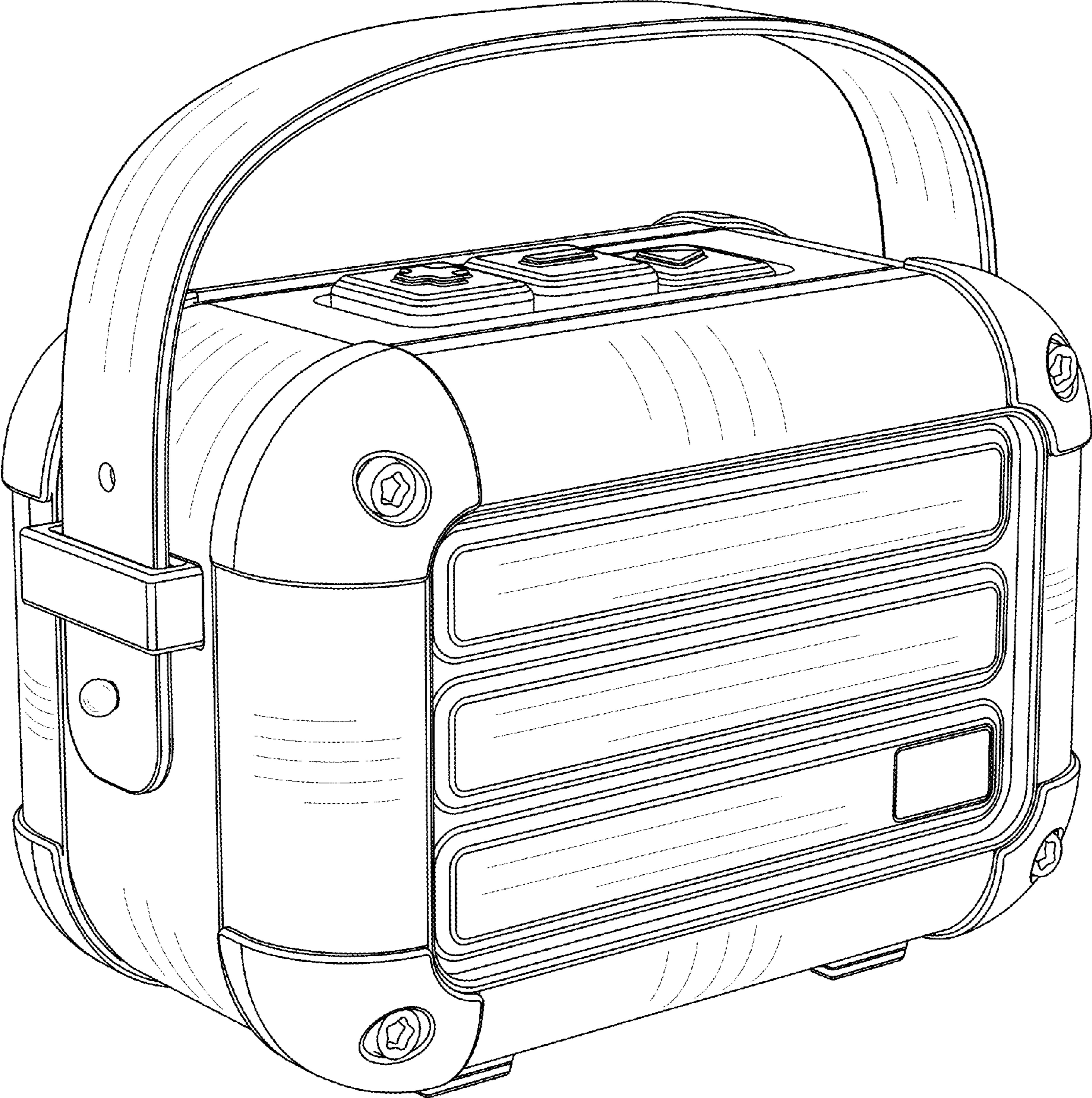


FIG. 1

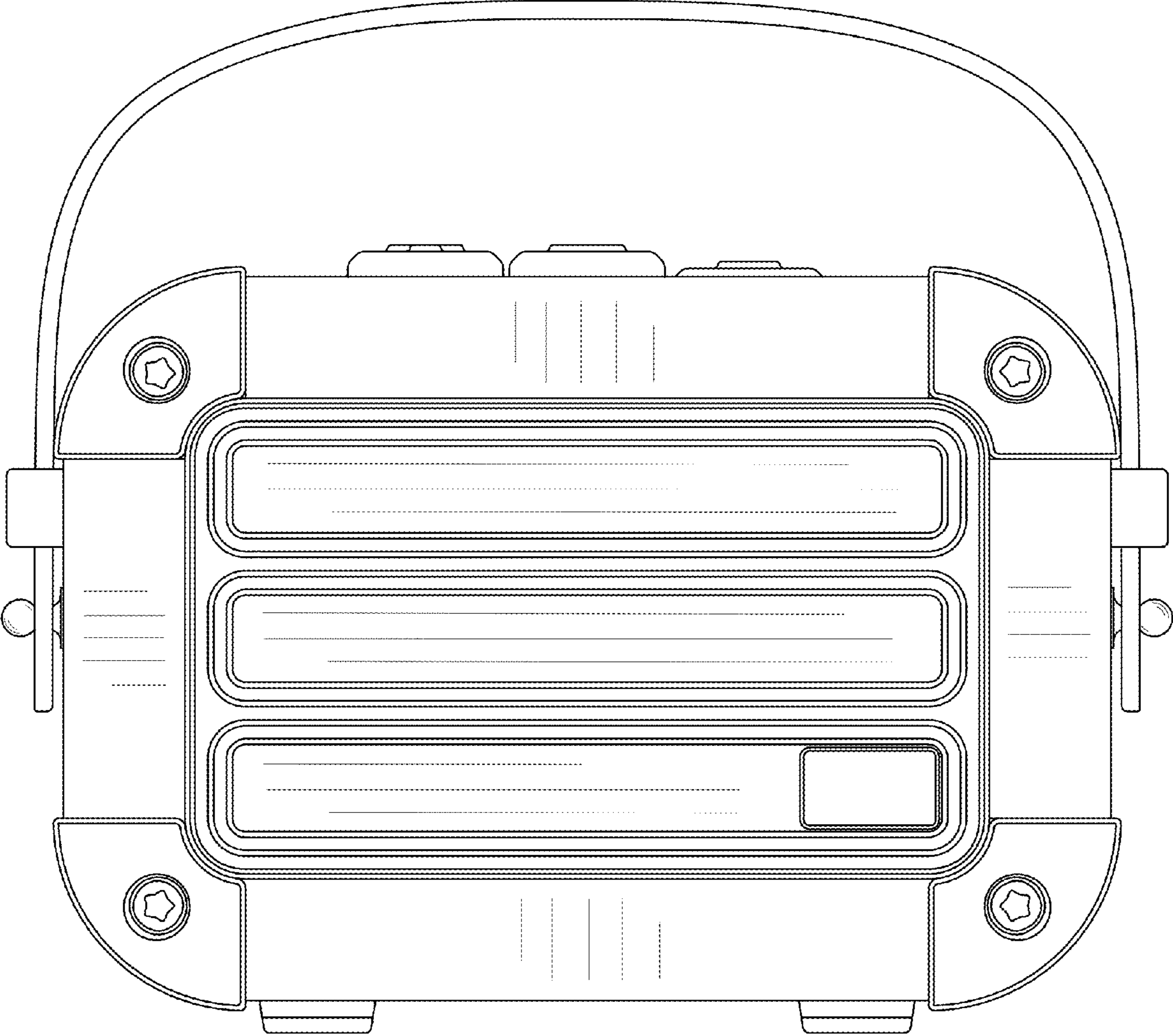


FIG. 2

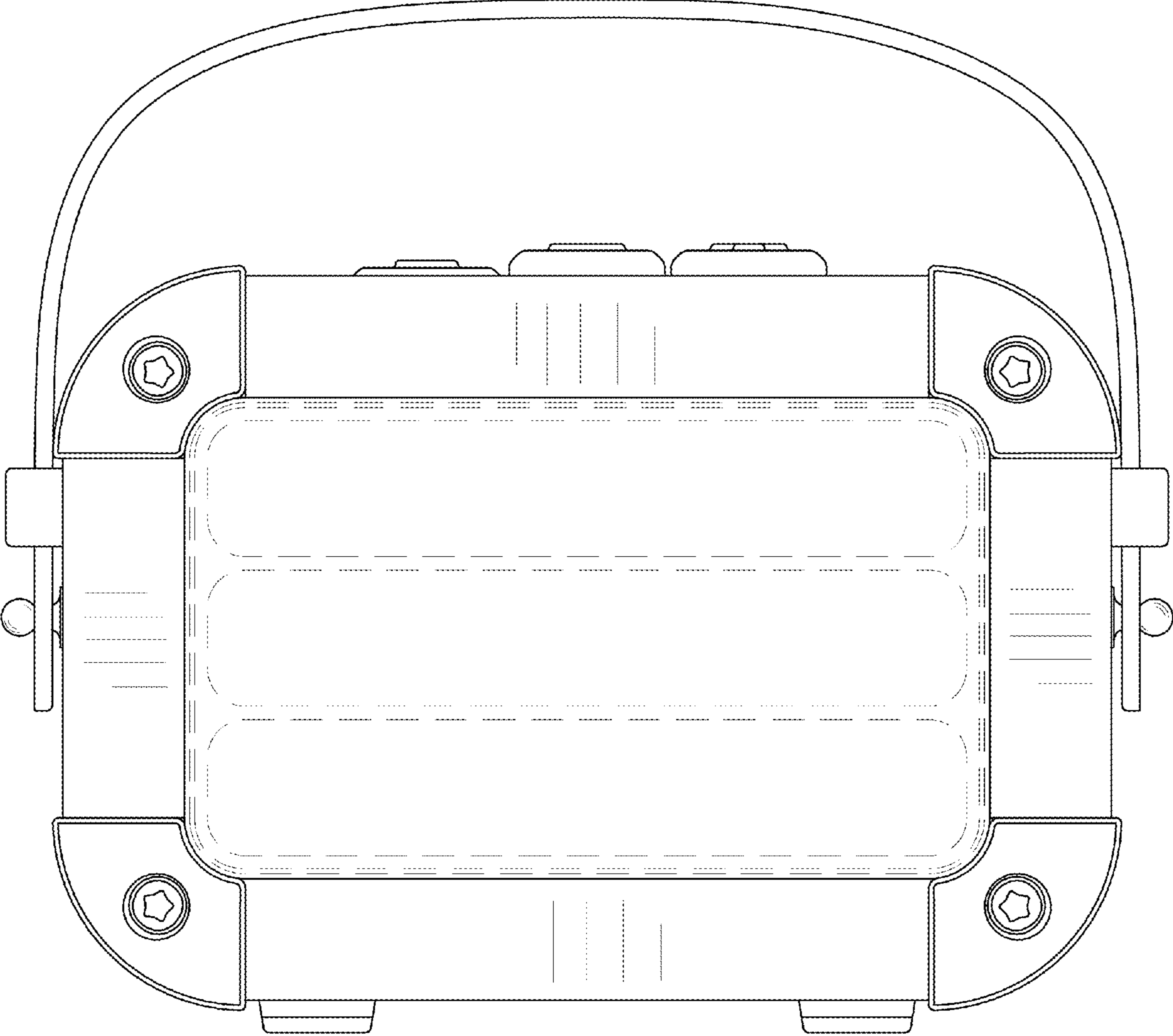


FIG. 3

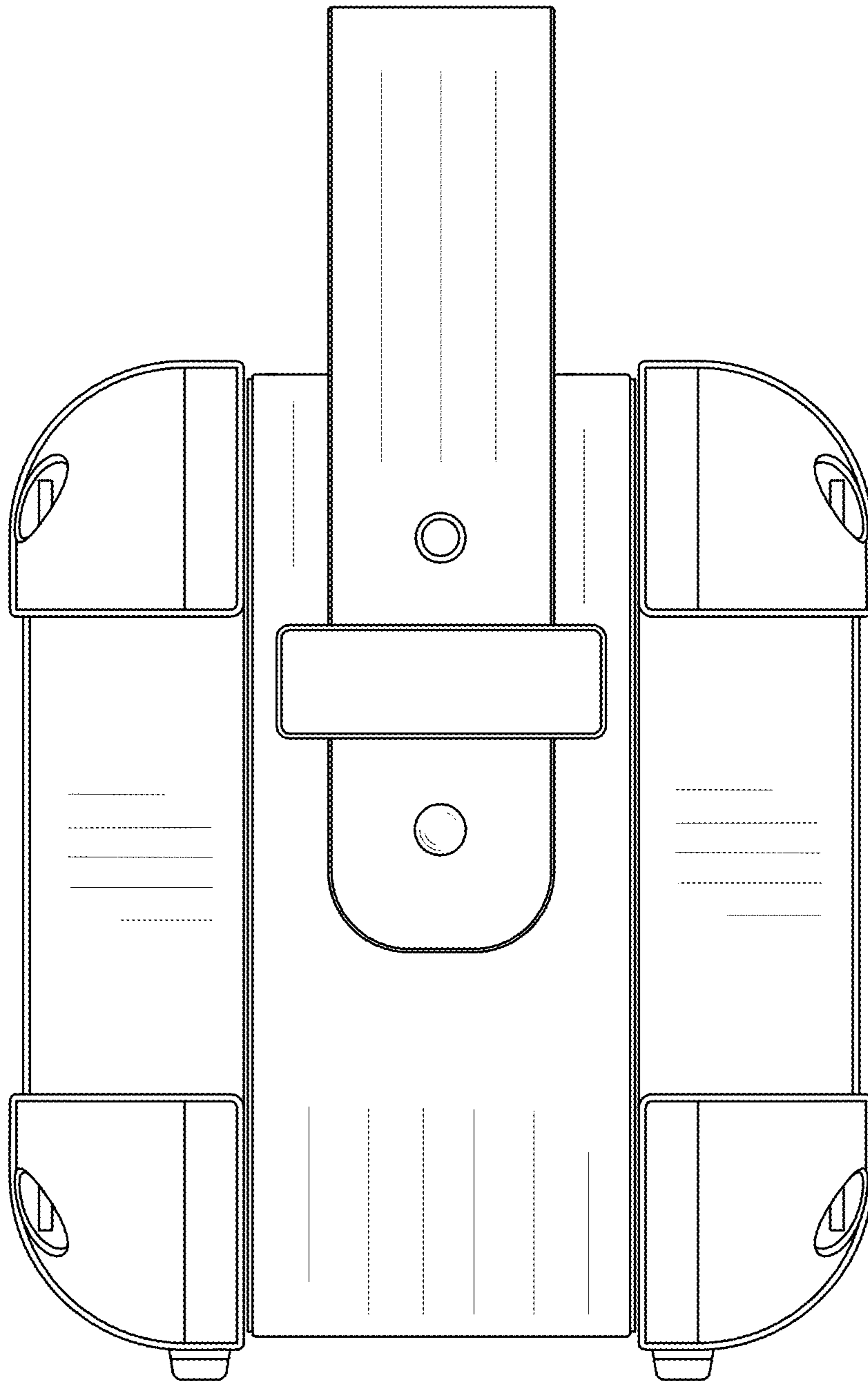


FIG. 4

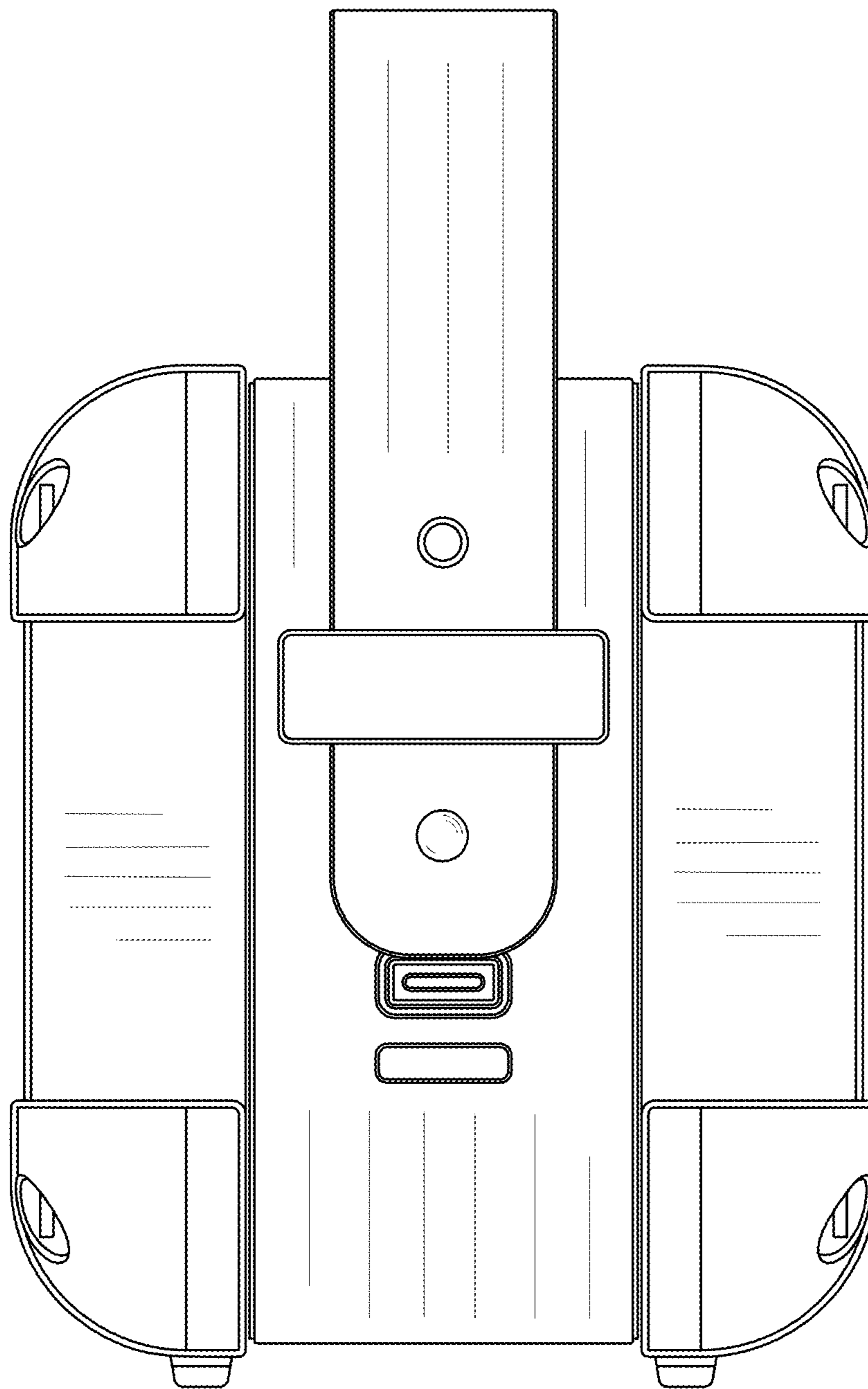


FIG. 5

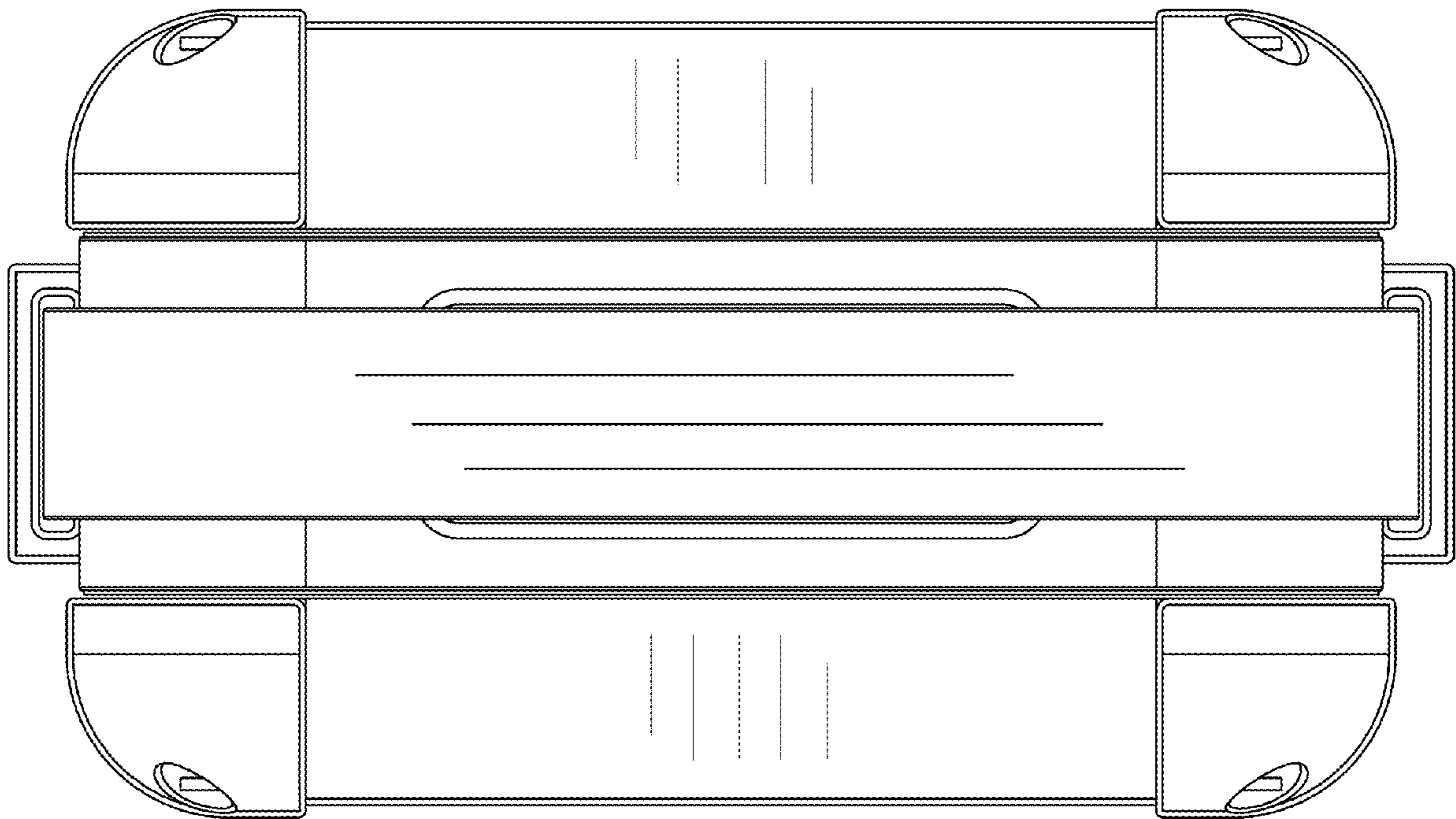


FIG. 6

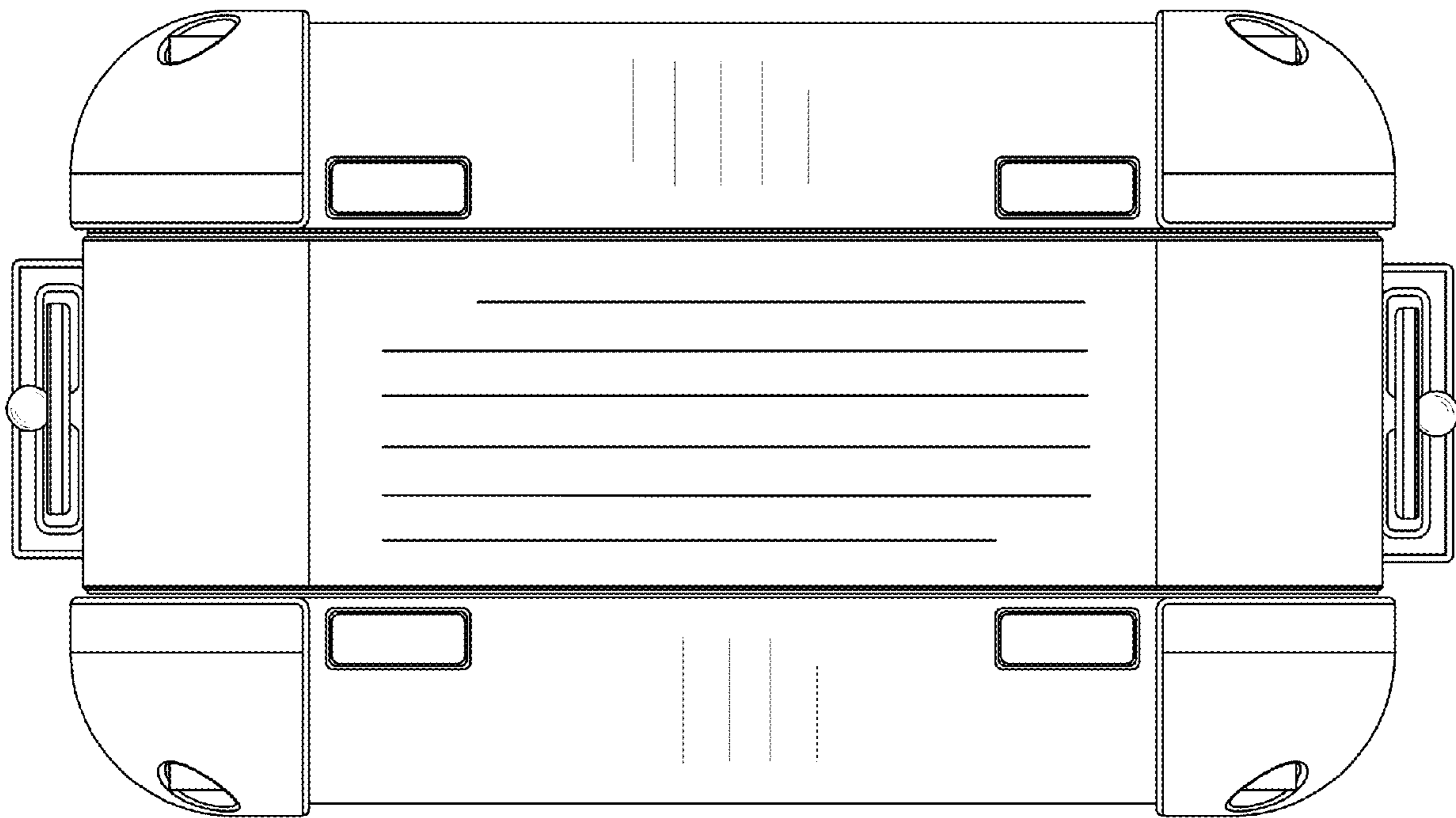


FIG. 7