



US00D888011S

(12) **United States Design Patent** (10) **Patent No.:** **US D888,011 S**
Saideh (45) **Date of Patent:** **** Jun. 23, 2020**

(54) **SPHEROID SHAPED TOY WITH INTEGRATED SPEAKER**
(71) Applicant: **Zeikos Inc.**, Edison, NJ (US)
(72) Inventor: **Jack Saideh**, Edison, NJ (US)
(73) Assignee: **Zeikos Inc.**, Edison, NJ (US)
(**) Term: **15 Years**
(21) Appl. No.: **29/659,637**
(22) Filed: **Aug. 10, 2018**
(51) **LOC (12) Cl.** **14-01**
(52) **U.S. Cl.**
USPC **D14/207; D21/712**
(58) **Field of Classification Search**
USPC D14/496-511, 168-172, 188-196,
D14/203.1-203.8, 204, 207, 209.1-216,
D14/217, 299; 181/198-199; D9/668;
D21/712
CPC B60K 35/00; B60K 37/00; B60K 37/02;
B60K 37/06; G11B 17/02; G11B 17/04;
H04R 1/02; H04R 1/345; H04R 2400/00;
H04N 5/64; H04S 7/00
See application file for complete search history.

D676,828 S * 2/2013 Clark D14/207
D731,459 S * 6/2015 Paslawski D14/207
D752,544 S * 3/2016 Chen D14/207
D752,545 S * 3/2016 Chen D14/207
D752,546 S * 3/2016 Chen D14/207
D752,547 S * 3/2016 Chen D14/207
D752,548 S * 3/2016 Chen D14/207
D767,536 S * 9/2016 Park D14/216
D789,748 S * 6/2017 Peters D9/668
D790,282 S * 6/2017 Price D9/668

* cited by examiner

Primary Examiner — Sandra L Morris

(74) *Attorney, Agent, or Firm* — Amster, Rothstein & Ebenstein LLP

(57) **CLAIM**

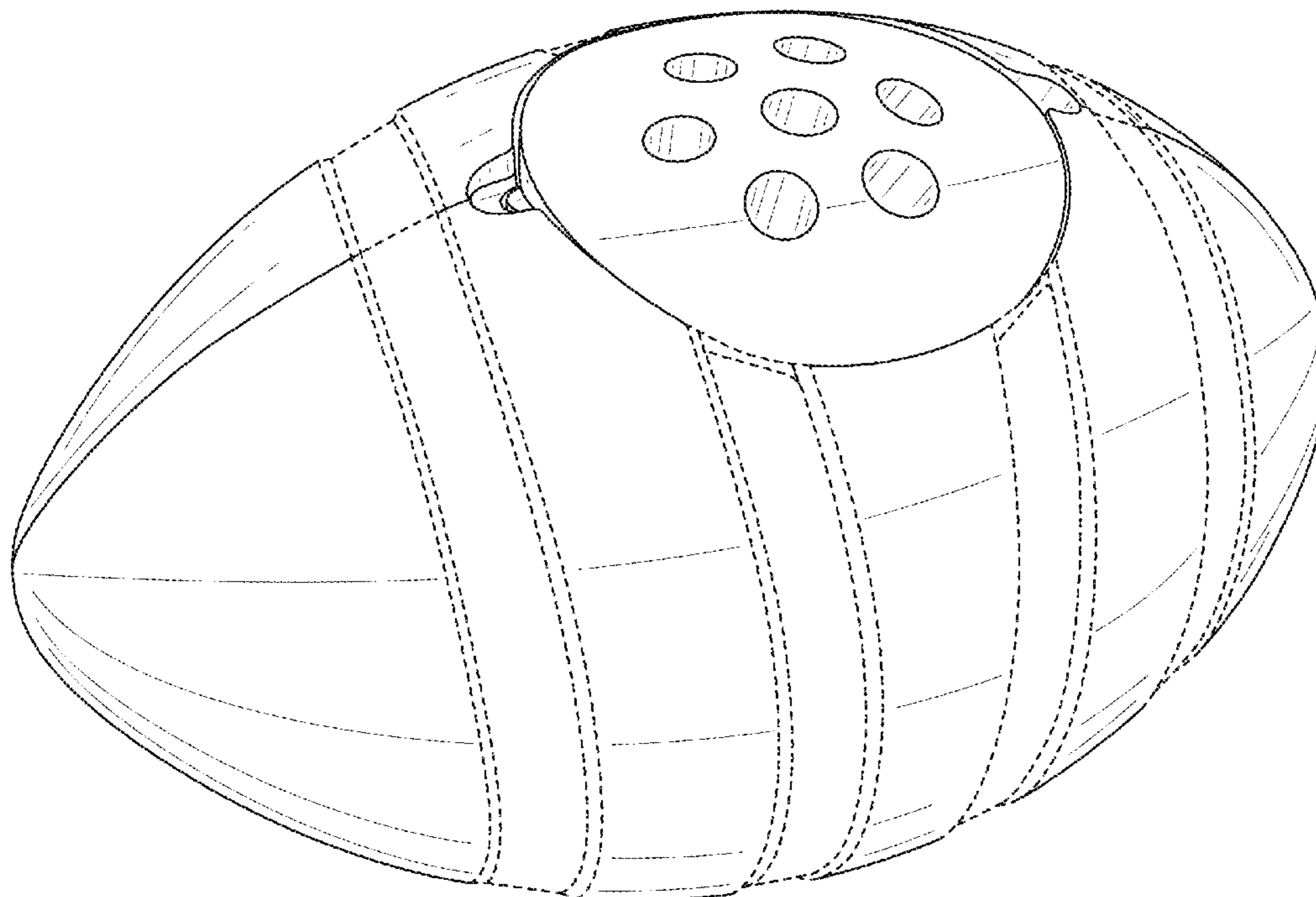
The ornamental design for a spheroid shaped toy with integrated speaker, as shown and described.

DESCRIPTION

FIG. 1 is a perspective view of a spheroid shaped toy with integrated speaker, showing my new design;
FIG. 2 is a left side view thereof;
FIG. 3 is a right side view thereof;
FIG. 4 is a top view thereof;
FIG. 5 is a bottom view thereof;
FIG. 6 is a front view thereof;
FIG. 7 is a back view thereof; and,
FIG. 8 is an exploded perspective view thereof.
The broken lines in FIGS. 1-8 depict portions of the spheroid shaped toy with integrated speaker that form no part of the claimed design.

1 Claim, 8 Drawing Sheets

(56) **References Cited**
U.S. PATENT DOCUMENTS
D504,163 S * 4/2005 Williams-Nicholas D21/712
D549,239 S * 8/2007 Chen D14/496
D584,778 S * 1/2009 Bevier D21/712
D627,233 S * 11/2010 Blakeman D9/668
D629,306 S * 12/2010 Staton D9/668
D637,666 S * 5/2011 Erickson D21/712



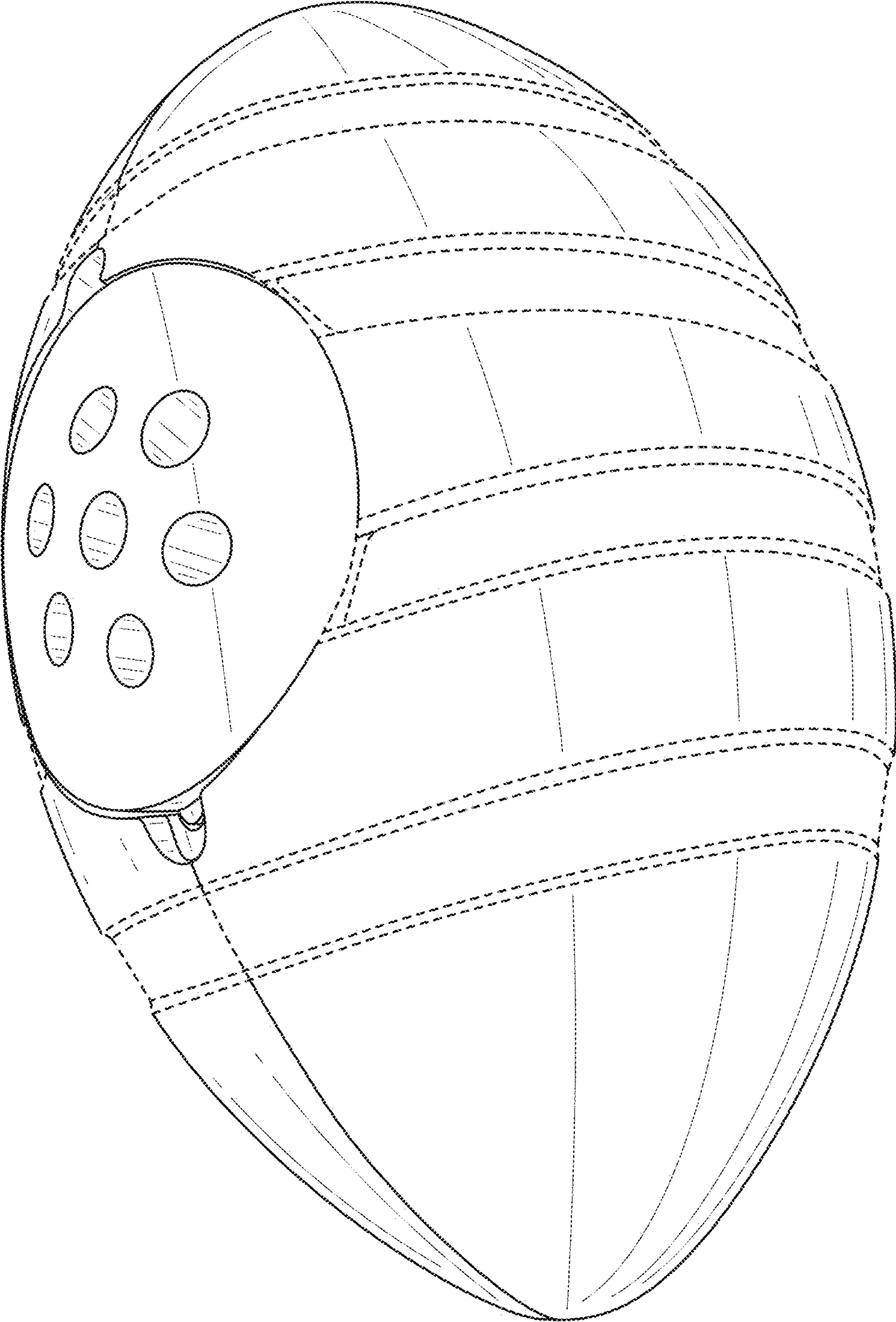


FIG. 1

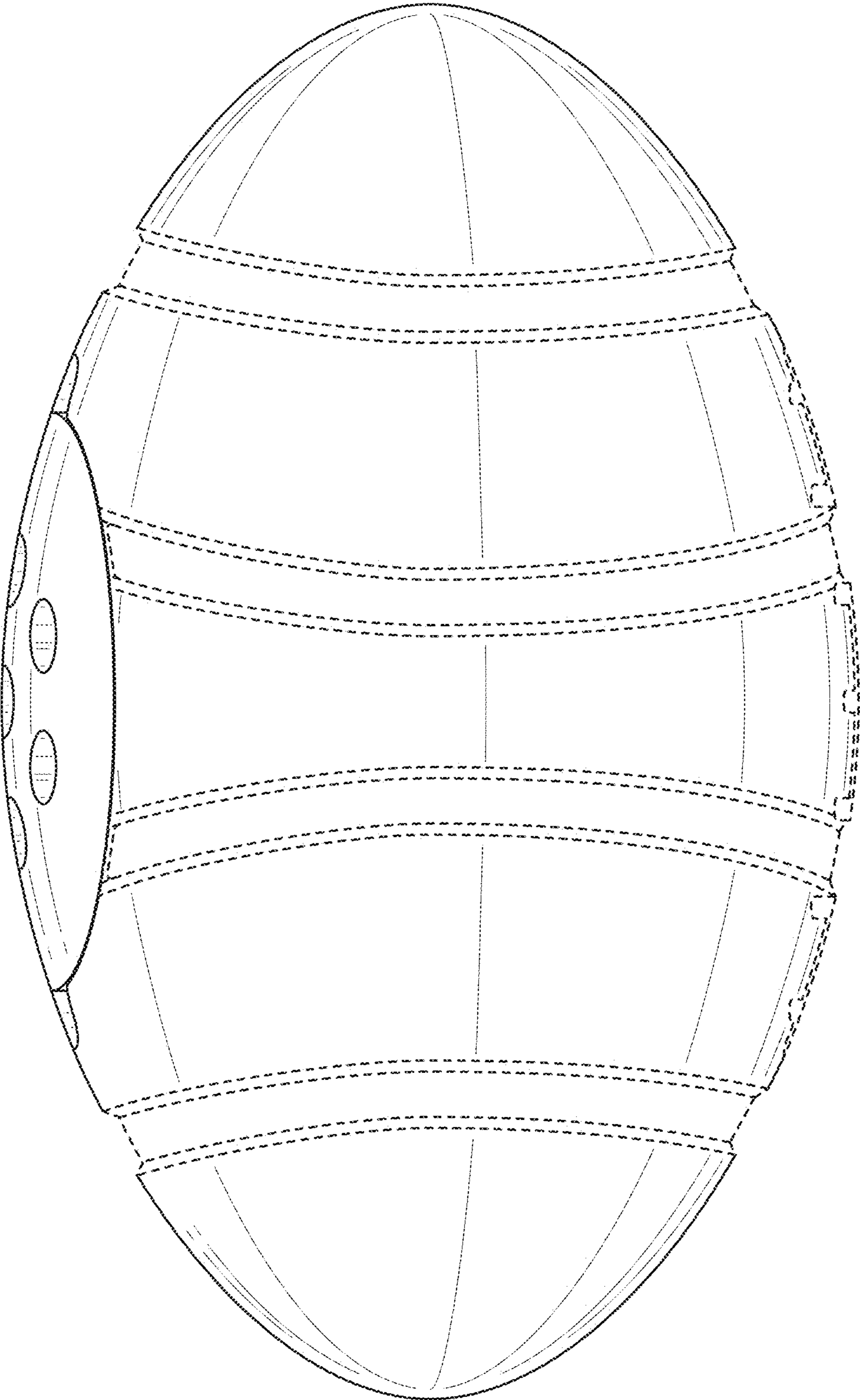


FIG. 2

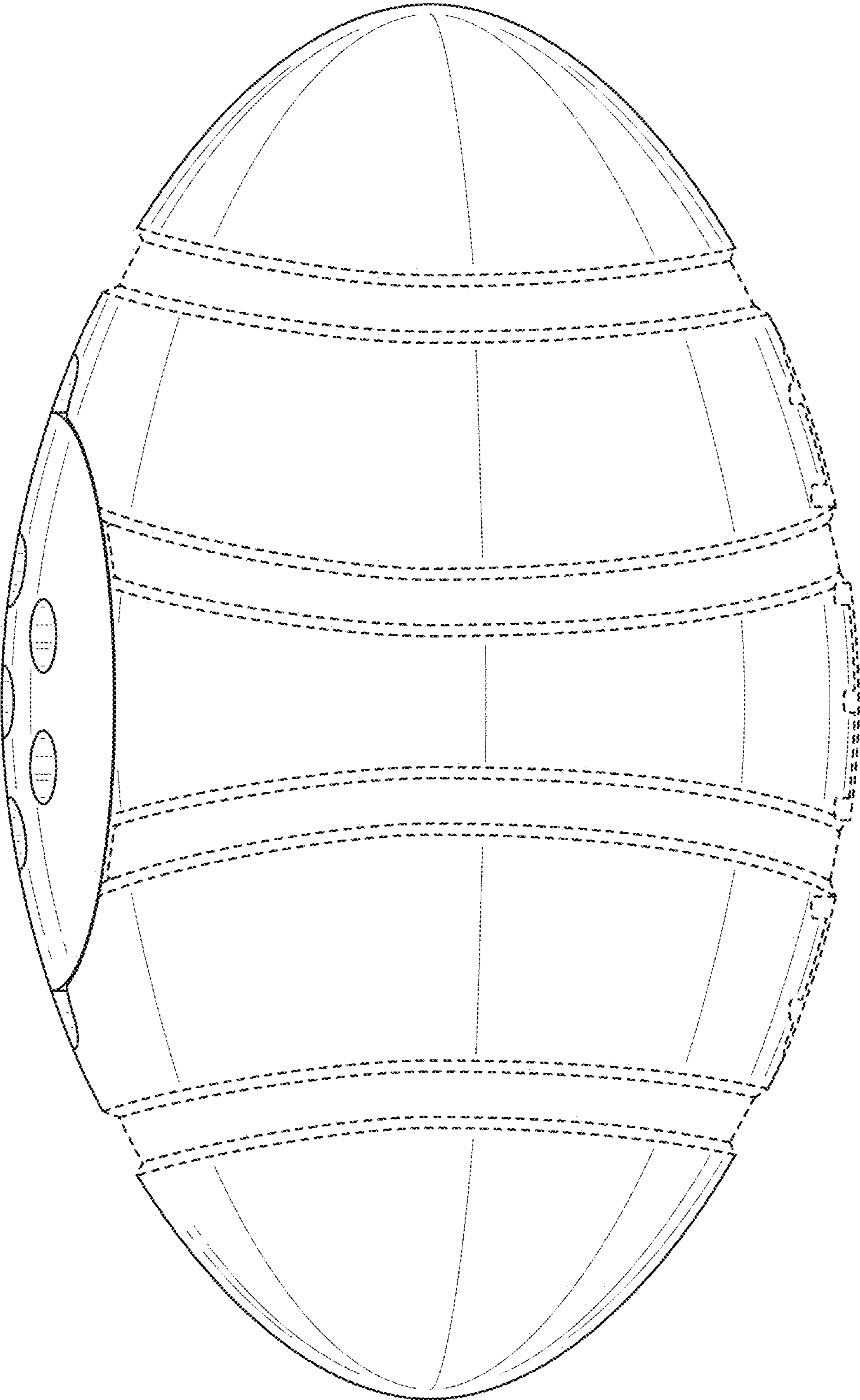


FIG. 3

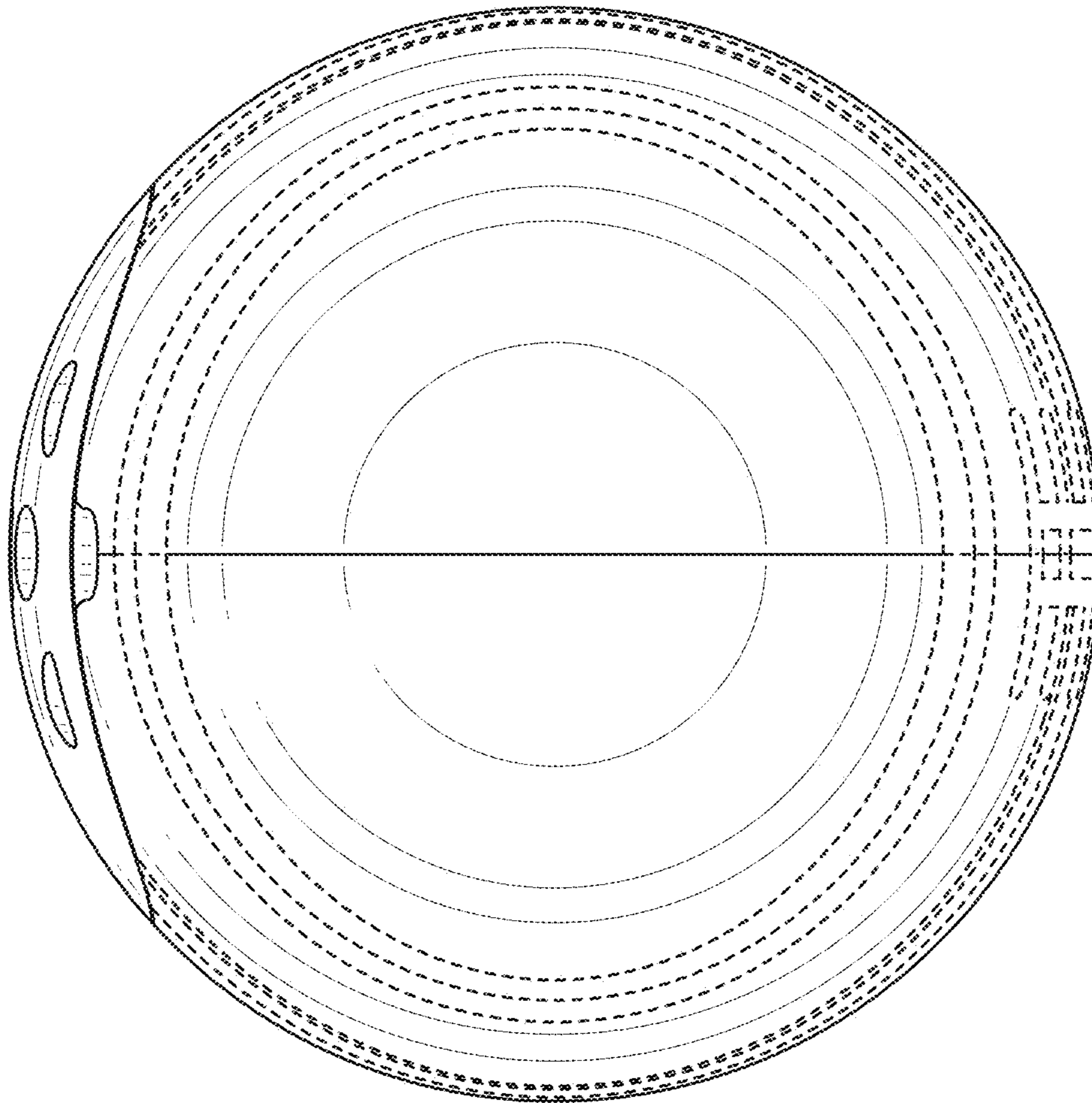


FIG. 4

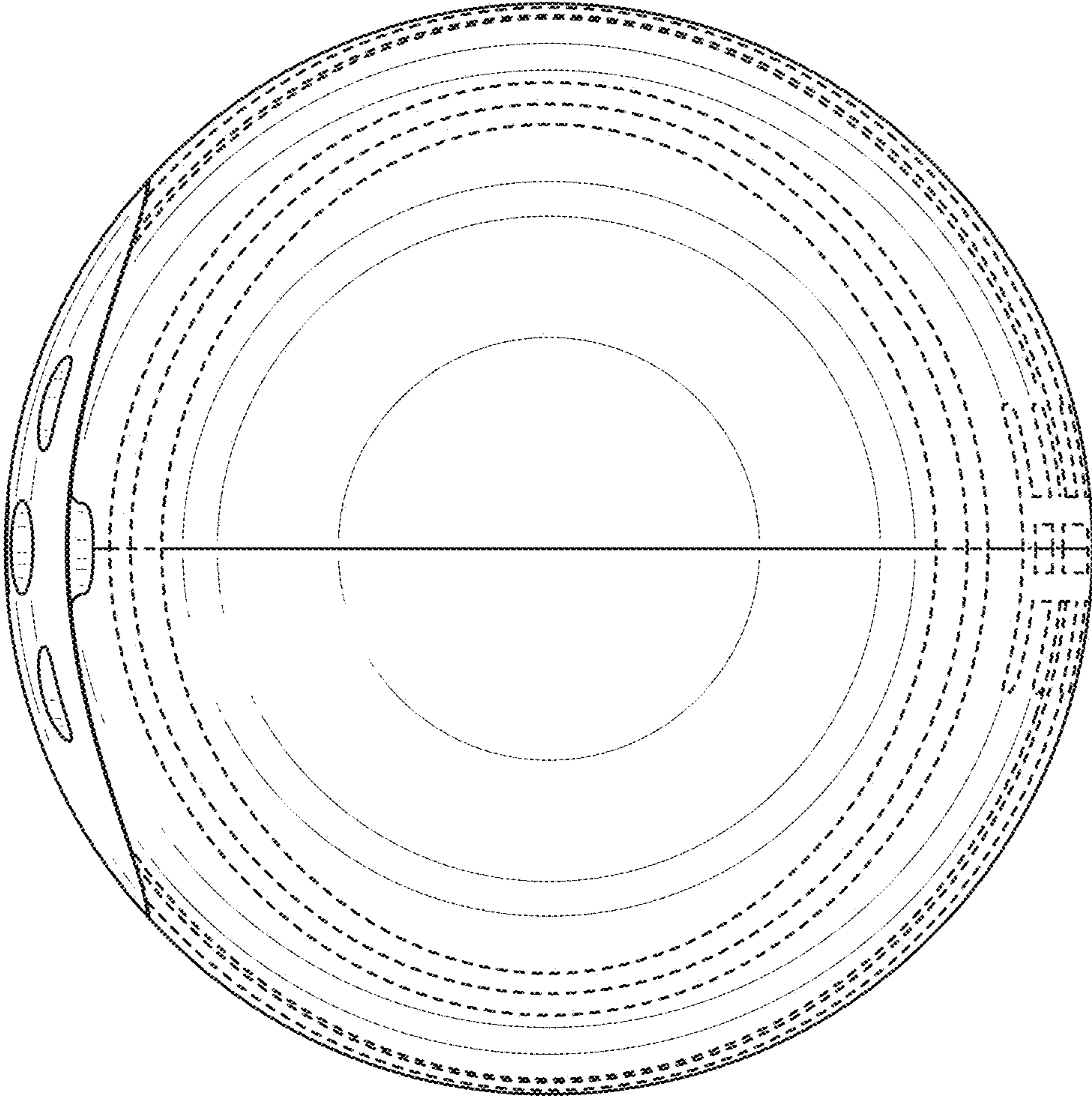


FIG. 5

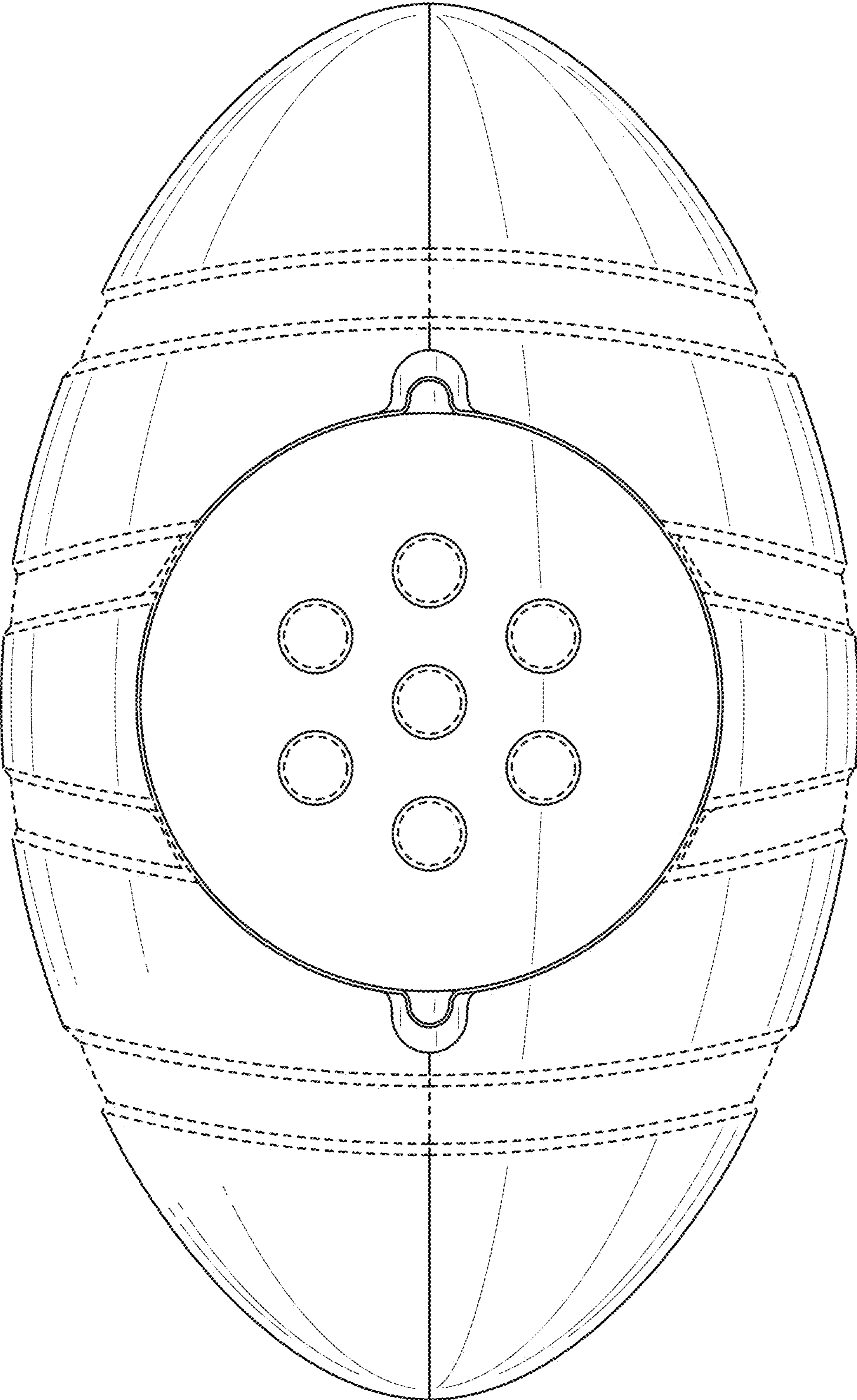


FIG. 6

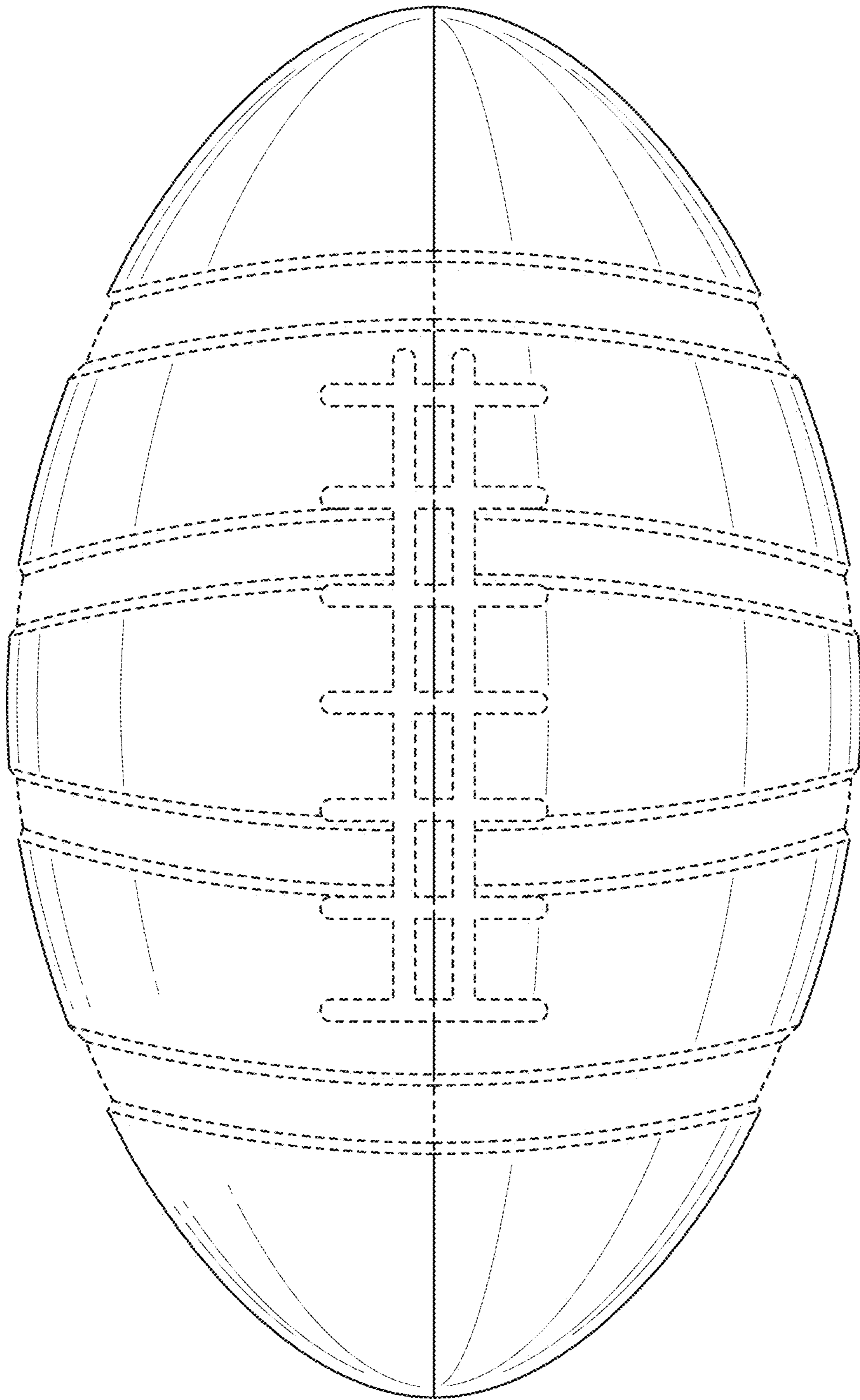


FIG. 7

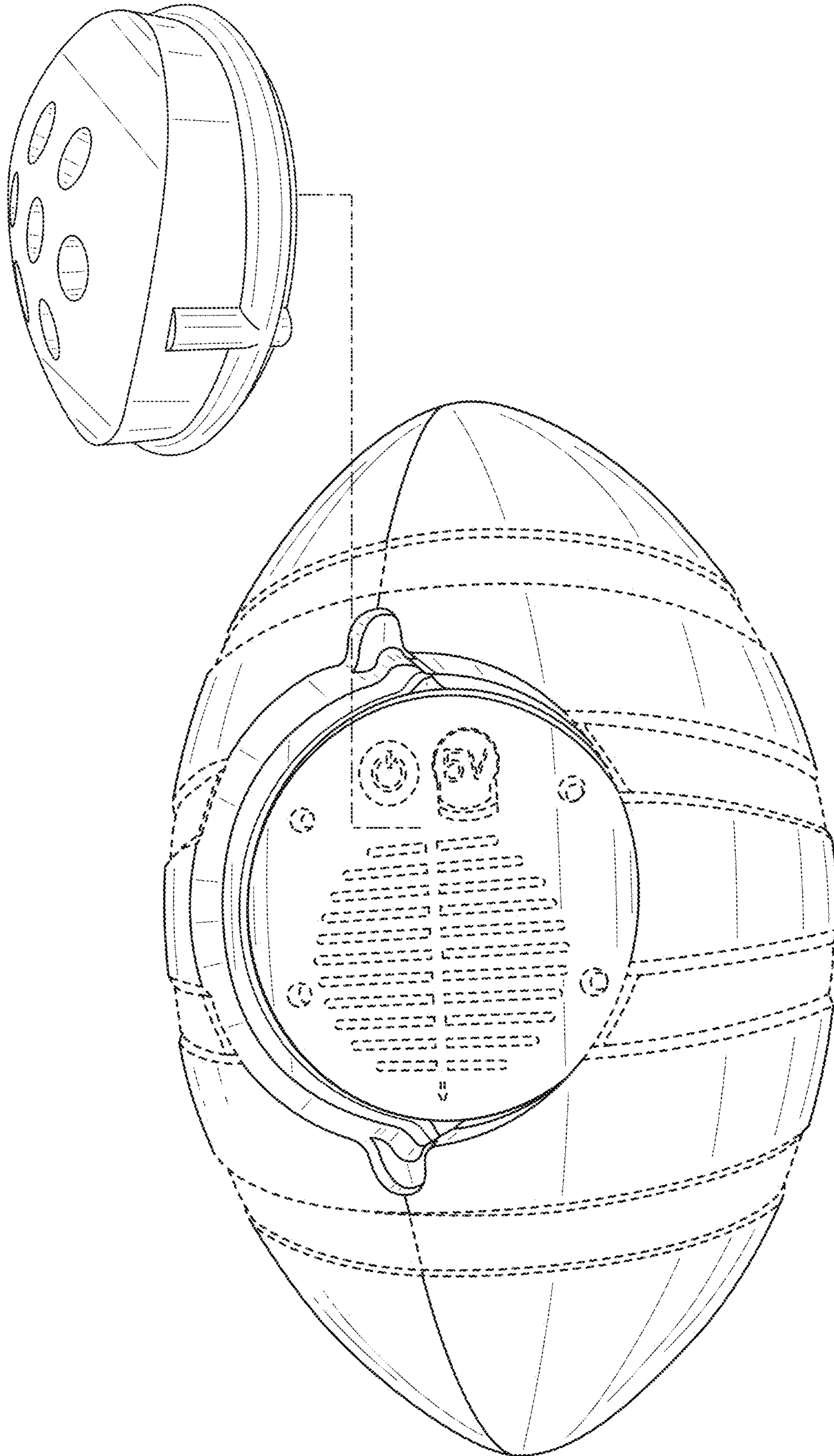


FIG. 8