



US00D888010S

(12) **United States Design Patent**
Lindenberger

(10) **Patent No.:** **US D888,010 S**
(45) **Date of Patent:** **** Jun. 23, 2020**

(54) **HEADPHONE**

(71) Applicant: **Harman International Industries, Incorporated**, Northridge, CA (US)

(72) Inventor: **Laurent Lindenberger**, Shenzhen (CN)

(73) Assignee: **Harman International Industries, Incorporated**, Northridge, CA (US)

(**) Term: **15 Years**

(21) Appl. No.: **29/720,425**

(22) Filed: **Jan. 13, 2020**

Related U.S. Application Data

(63) Continuation of application No. 29/631,192, filed on Dec. 28, 2017.

(51) **LOC (12) Cl.** **14-01**

(52) **U.S. Cl.**
USPC **D14/205; D14/223**

(58) **Field of Classification Search**
USPC D14/203.1, 204–206, 208–210, 212–217, D14/219, 221–225, 249, 372, 433, 138 R, D14/182, 188, 191–194, 172, 496; D29/112; D28/41; D2/875; D24/173–175, 106; D3/294, 273; D13/118, 108, 119
CPC H04R 25/02; H04R 25/00; H04R 1/10; H04R 1/1016; H04R 1/105; H04R 1/1083; H04R 1/02; H04R 1/1041; H04R 1/28; H04R 5/033; H04R 2420/07; H04R 2430/00; H04R 2430/01
See application file for complete search history.

(56) **References Cited**

U.S. PATENT DOCUMENTS

D637,579 S 5/2011 Hamaura et al.
8,213,667 B2 * 7/2012 Nelson F16C 11/06
381/378

D666,992 S 9/2012 Lee et al.
D678,860 S * 3/2013 Hagelin D14/205
D684,559 S * 6/2013 Groset D14/205
D696,644 S 12/2013 Sejpka
D702,667 S * 4/2014 Yang H04R 1/1016
D14/223

(Continued)

FOREIGN PATENT DOCUMENTS

CN 303738743 7/2016
CN 303987581 12/2016

(Continued)

OTHER PUBLICATIONS

ATH-MSR7SE, no date available [online], [retrieved Apr. 8, 2019], Available from Internet, URL: <<https://eu.audio-technica.com/ATH-MSR7SE>>.

(Continued)

Primary Examiner — T Chase Nelson
Assistant Examiner — Mary Claire Ramirez
(74) *Attorney, Agent, or Firm* — Plumsea Law Group, LLC

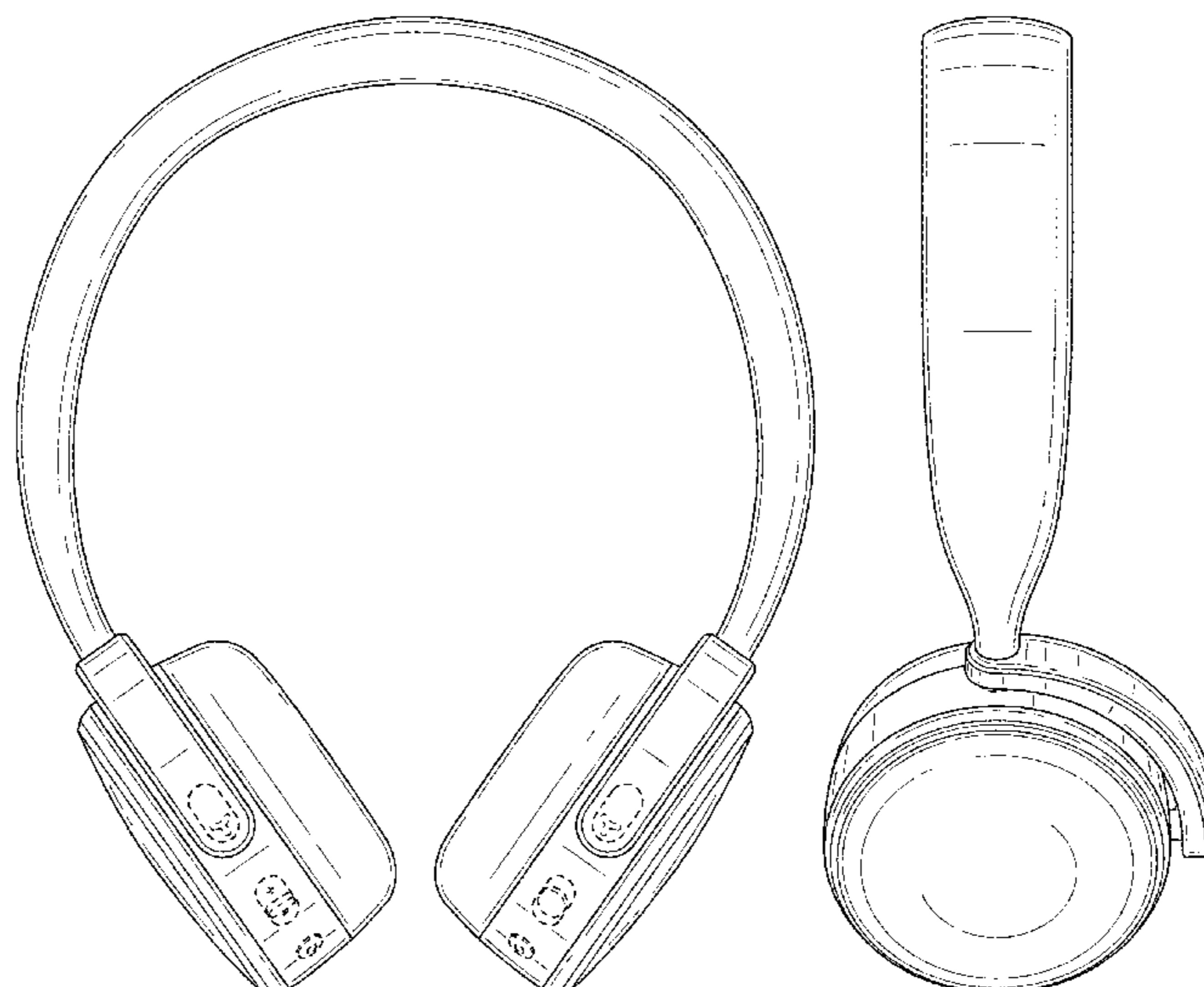
(57) **CLAIM**

The ornamental design for a headphone, as shown and described.

DESCRIPTION

FIG. 1 is a perspective view of a headphone showing the new design;
FIG. 2 is a front elevational view thereof;
FIG. 3 is a rear elevational view thereof;
FIG. 4 is a side elevational view thereof;
FIG. 5 is a bottom view thereof;
FIG. 6 is a top view thereof; and,
FIG. 7 is an opposite side elevational view thereof.
The broken lines shown in the drawings depict portions of the headphone that form no part of the claimed design.

1 Claim, 6 Drawing Sheets



(56)

References Cited

U.S. PATENT DOCUMENTS

D707,200 S * 6/2014 Yang H04R 1/1066
D14/205
D708,163 S 7/2014 Ishikura
8,774,420 B2 7/2014 Belafonte et al.
D719,551 S * 12/2014 Yang D14/223
D721,052 S 1/2015 Carr et al.
D723,507 S 3/2015 Zambelli
D727,289 S 4/2015 Czaniecki
D736,176 S 8/2015 Rapitsch
D739,842 S 9/2015 Birger
D740,256 S 10/2015 Carr
D741,290 S 10/2015 Schaal et al.
D743,934 S 11/2015 Komagamine
D758,338 S 6/2016 Szymanski
D763,223 S 8/2016 Czaniecki
D769,842 S 10/2016 Rouffiat
D775,605 S 1/2017 Lee et al.
D777,701 S 1/2017 Czaniecki
D782,999 S 4/2017 Spio
D784,957 S 4/2017 Hsieh et al.
D787,470 S 5/2017 Kelly et al.
D806,685 S 1/2018 Park
D815,060 S 4/2018 Ando et al.
D816,061 S 4/2018 Ando et al.
D822,635 S 7/2018 Ando et al.
D826,210 S 8/2018 Chong
D827,607 S 9/2018 Ando et al.
D828,326 S 9/2018 Ye
D838,687 S 1/2019 Wu
D840,370 S 2/2019 Kelly et al.
D841,618 S 2/2019 Mei
D847,778 S * 5/2019 Hardi D14/205
D851,627 S 6/2019 ter Laag et al.
D851,839 S 6/2019 Scanlon
D852,163 S 6/2019 Nagamine et al.
D852,164 S 6/2019 Mei
D854,513 S 7/2019 Miyake et al.
D856,303 S * 8/2019 Ando D14/205
D856,594 S 8/2019 Wilson et al.
D857,652 S * 8/2019 Wang D14/205
D857,653 S 8/2019 Hu
D859,353 S * 9/2019 Wagner D14/205
D859,354 S 9/2019 Xia
D861,636 S 10/2019 Carr
D864,896 S * 10/2019 Zhang D14/205
D864,899 S * 10/2019 He D14/205

D865,706 S * 11/2019 Li D14/205
D867,329 S * 11/2019 Karayiannis D14/205
D868,024 S * 11/2019 Dryden D14/205
D869,437 S * 12/2019 Hu D14/205
D870,064 S * 12/2019 Petersen D14/205
D870,069 S * 12/2019 Hu D14/206
D871,367 S * 12/2019 Zhijun D14/205
D871,368 S * 12/2019 Saule D14/205
D872,047 S * 1/2020 Luo D14/205
D872,706 S * 1/2020 Takubo D14/205
D875,067 S * 2/2020 Tsubone D14/205
2006/0159279 A1 7/2006 Kuo
2009/0262969 A1 10/2009 Short et al.
2015/0245124 A1 8/2015 Lee
2017/0085975 A1 3/2017 Nagata et al.
2017/0257693 A1 9/2017 Breen et al.
2018/0020277 A1 1/2018 Briggs
2018/0184188 A1 6/2018 Liu
2018/0227658 A1 8/2018 Hviid et al.

FOREIGN PATENT DOCUMENTS

CN 303996544 1/2017
CN 304029894 2/2017
CN 304270496 9/2017
CN 304305836 10/2017
CN 304375172 11/2017
CN 304426503 12/2017
EM 003113307-0001 8/2016

OTHER PUBLICATIONS

AKG N700NC Wireless, published 2018 [online], [retrieved Apr. 8, 2019], Available from Internet, URL: <<https://www.red-dot.org/ko/projectlkg-n700nc-wireless-24662>>.
AKG N700NC, published Feb. 19, 2019 [online], [retrieved Apr. 8, 2019], Available from Internet, URL: <<https://www.behance.net/gallery/76029571/AKG-N700NC>>.
DH-B38-UP, no date available [online], [retrieved Apr. 8, 2019], Available from Internet, URL: <<https://des.en.taiwantrade.com/product/volume-bluetooth-stereo-headphones-with-mic-pink-1571923.html#>>>.
Office Action dated Nov. 7, 2018 from Russian Design Application No. 2018501954/49, and English translation thereof.
Design U.S. Appl. No. 29/631,227, filed Dec. 28, 2017.

* cited by examiner



FIG. 1



FIG. 2



FIG. 3

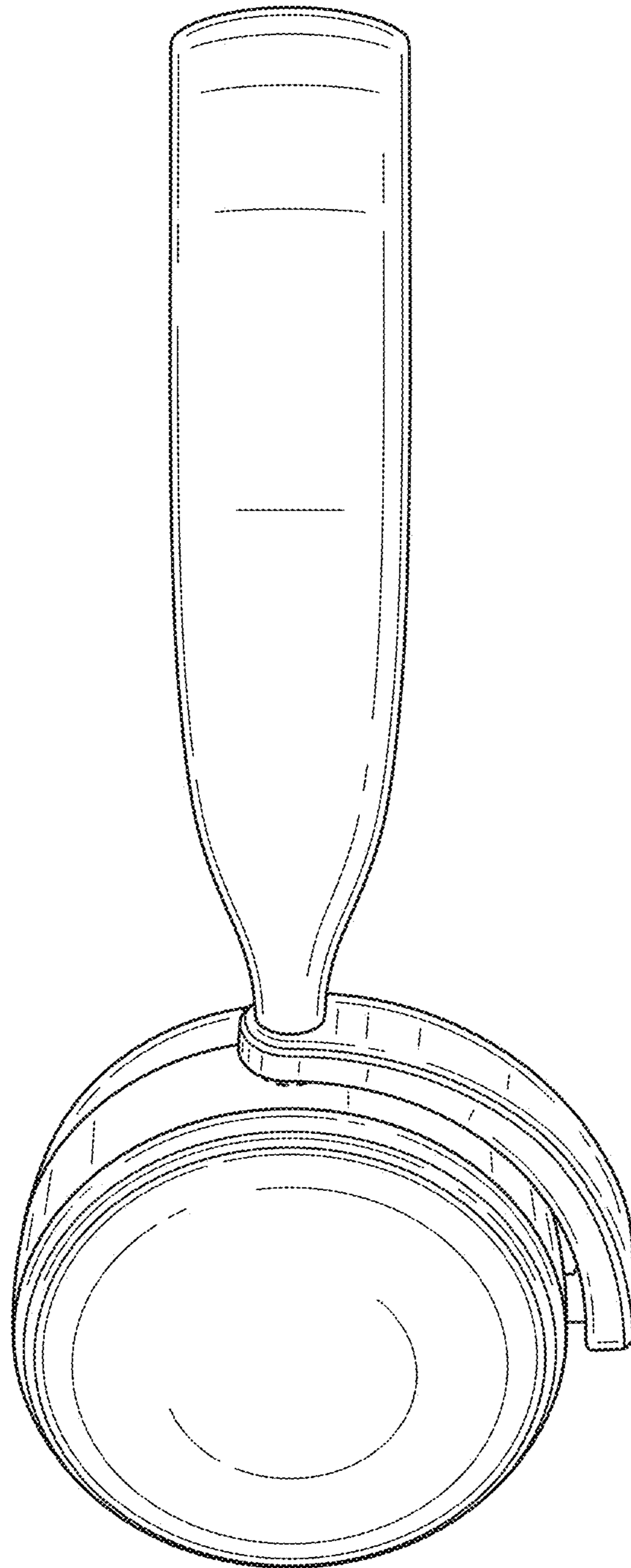


FIG. 4

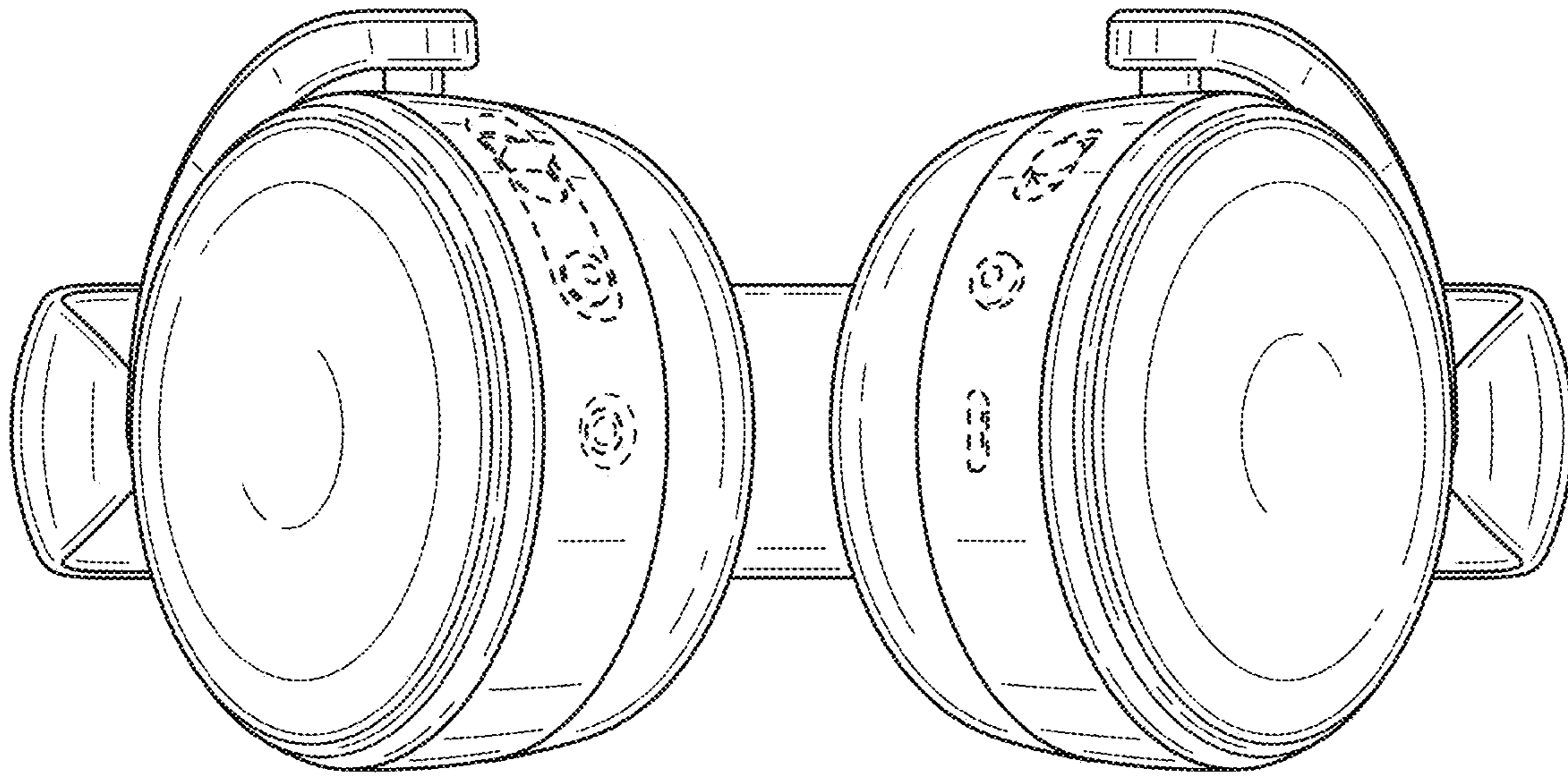


FIG. 5

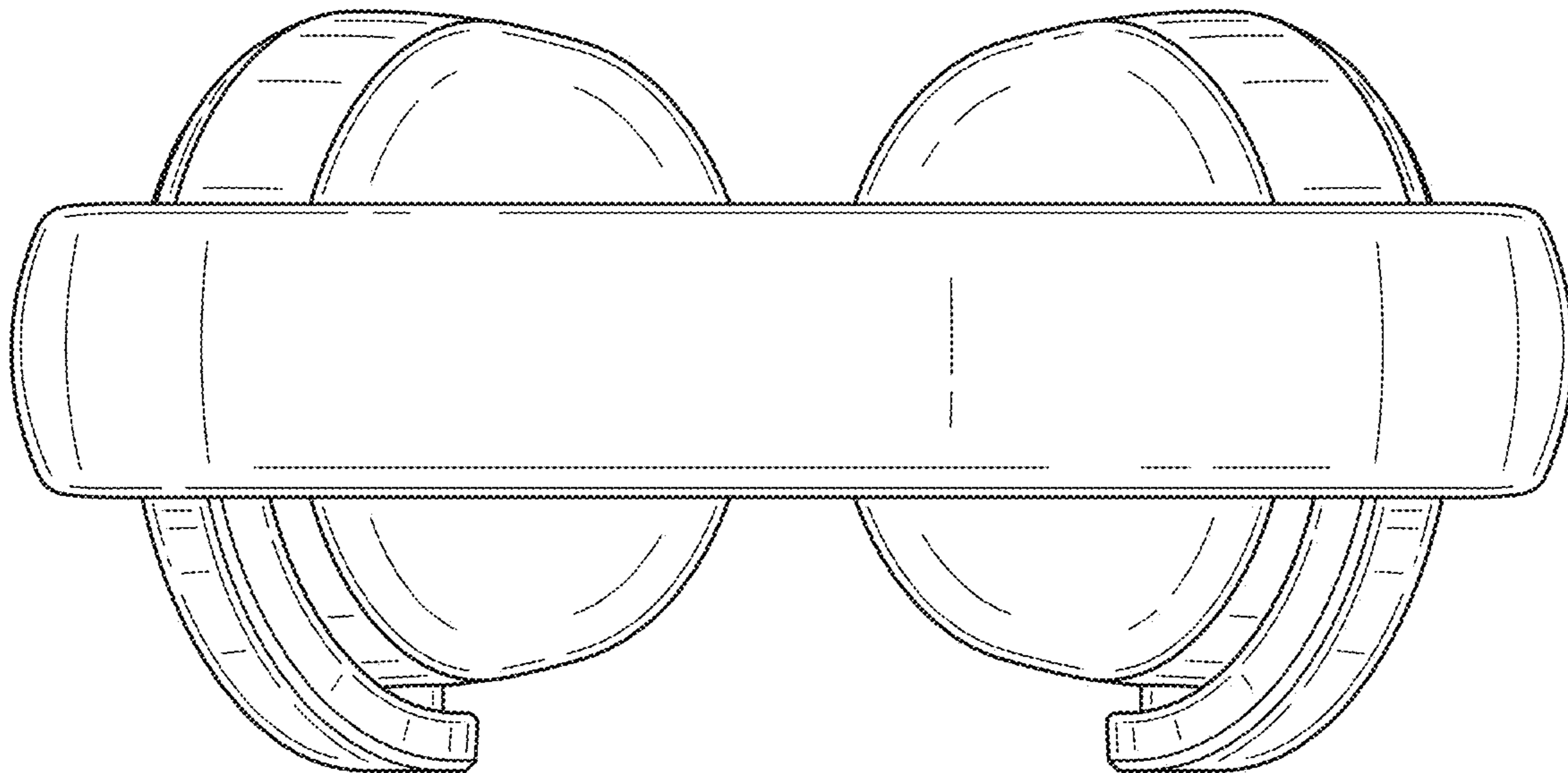


FIG. 6

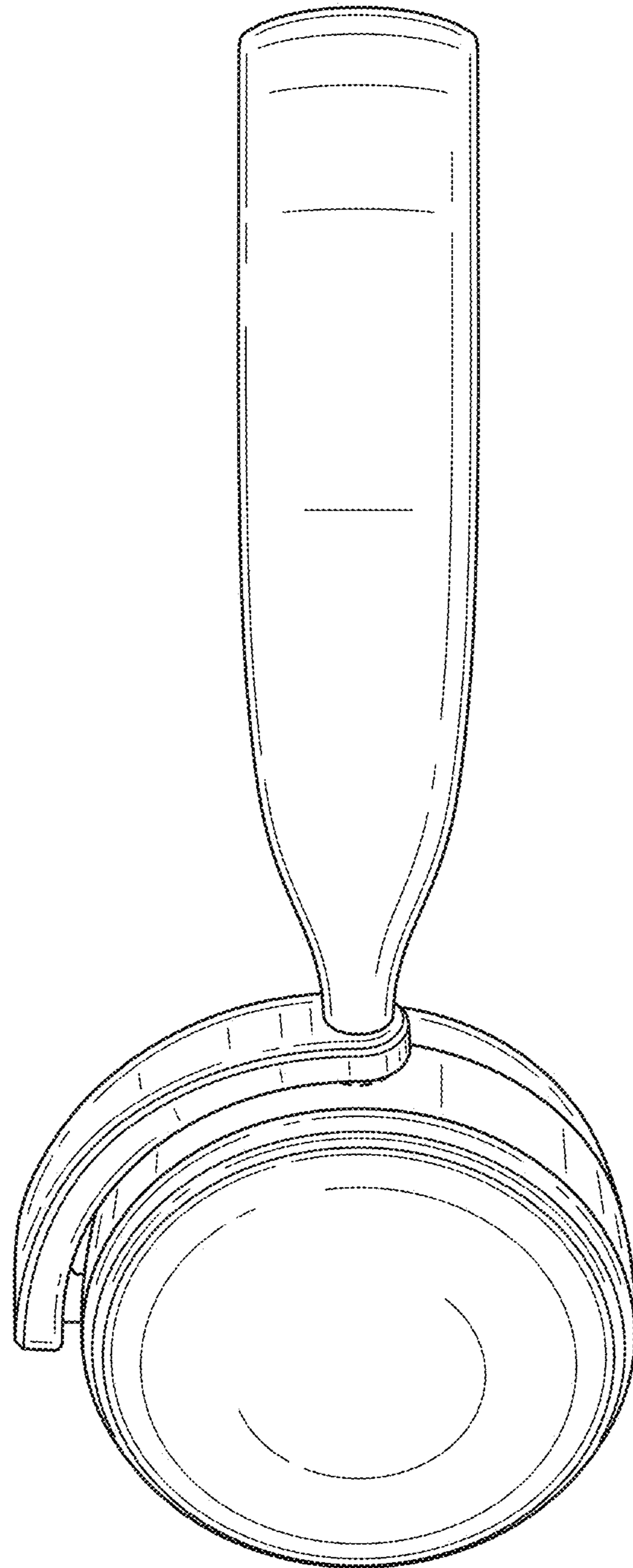


FIG. 7