



US00D888009S

(12) **United States Design Patent**  
**Ying**

(10) **Patent No.:** **US D888,009 S**  
(45) **Date of Patent:** **\*\* Jun. 23, 2020**

- (54) **EAR PHONE**
- (71) Applicant: **NINGBO GECEN PROMOTION & GIFT CO., LTD**, Ningbo, Zhejiang (CN)
- (72) Inventor: **Weijin Ying**, Zhejiang (CN)
- (73) Assignee: **NINGBO GECEN PROMOTION & GIFT CO., LTD.** (CN)
- (\*\*) Term: **15 Years**
- (21) Appl. No.: **29/675,591**
- (22) Filed: **Jan. 3, 2019**
- (51) **LOC (12) Cl.** ..... **14-01**
- (52) **U.S. Cl.**  
USPC ..... **D14/205**
- (58) **Field of Classification Search**  
USPC ..... D14/205, 223, 217, 433, 372, 436;  
D13/147; 181/129, 130, 135; 379/430,  
379/431; 381/380, 381, 370, 374;  
455/90.3, 575.1, 569.1; 345/7, 8;  
343/718; 700/94; 710/3; 235/487  
CPC ..... H04R 1/10; H04R 1/1033; H04R 5/0335;  
H04R 5/033; H04R 1/1058; H04R  
1/1041; H04R 1/1066; H04R 1/1016;  
H04R 1/1083; H01R 4/24  
See application file for complete search history.

- 4,646,872 A \* 3/1987 Kamon ..... H04R 1/225  
181/129
  - 4,780,603 A \* 10/1988 Hamada ..... G06K 7/0021  
235/441
  - 4,893,344 A \* 1/1990 Tragardh ..... H04M 1/05  
379/430
  - D316,550 S \* 4/1991 Sogabe ..... D14/168
  - 5,032,921 A \* 7/1991 Harase ..... G11C 5/00  
348/375
  - D318,865 S \* 8/1991 Ichikawa ..... D14/205
  - 5,155,663 A \* 10/1992 Harase ..... G06K 19/07732  
273/148 B
  - D334,043 S \* 3/1993 Taniguchi ..... D14/218
- (Continued)

FOREIGN PATENT DOCUMENTS

JP 1573365 \* 3/2017

*Primary Examiner* — Paula Allen Greene

(57) **CLAIM**

The ornamental design for an ear phone, as shown and described.

**DESCRIPTION**

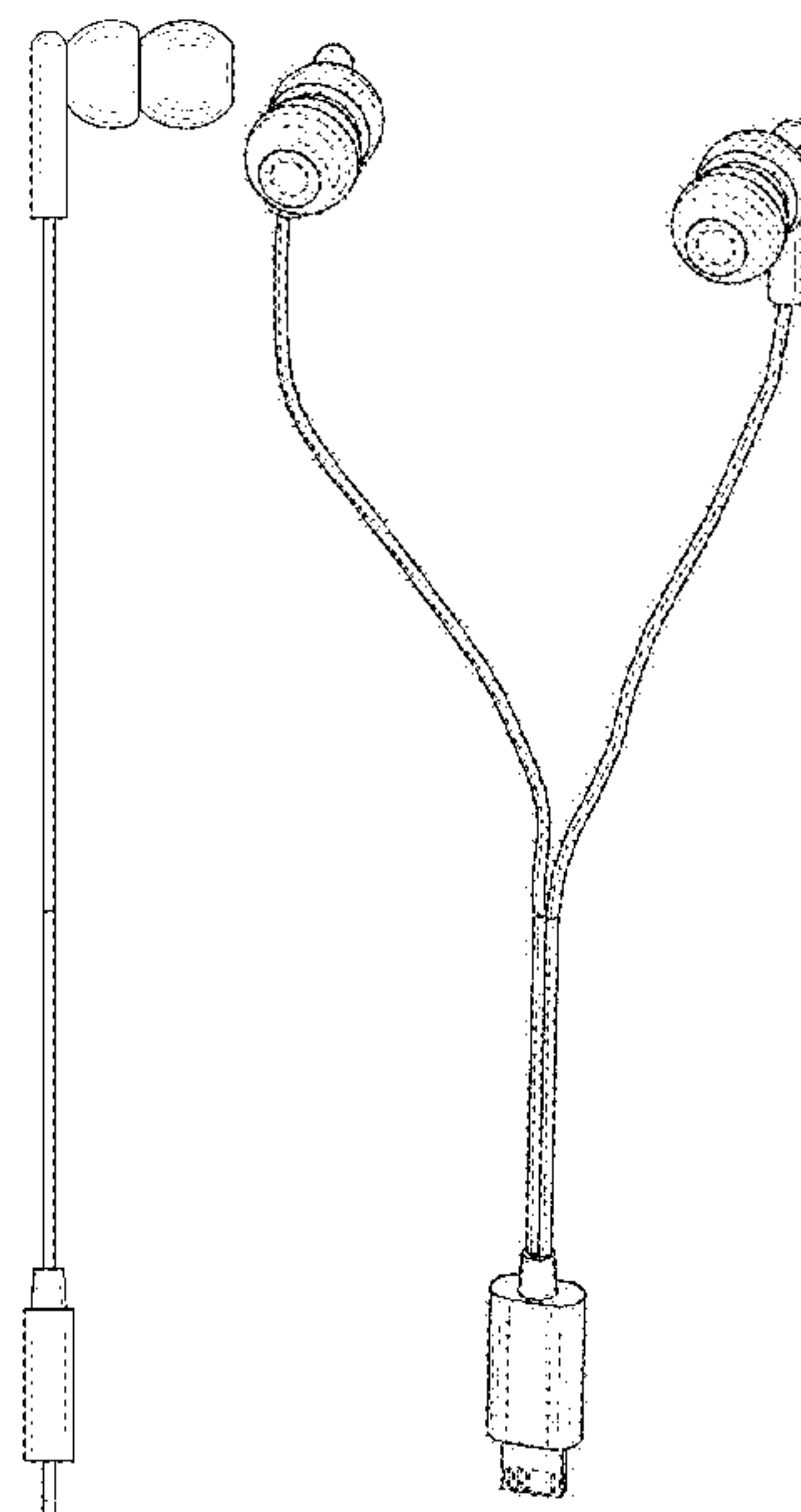
FIG. 1 is a front view of an ear phone showing our new design;  
 FIG. 2 is a back view thereof;  
 FIG. 3 is a left side view thereof;  
 FIG. 4 is a right side view thereof;  
 FIG. 5 is a top view thereof;  
 FIG. 6 is a bottom view thereof;  
 FIG. 7 is a top perspective view thereof;  
 FIG. 8 is a perspective view of an enlarged portion of the ear phone thereof, shown separately for ease of illustration; and,  
 FIG. 9 is a perspective view of an enlarged portion of the ear phone thereof, shown separately for ease of illustration.  
 The broken lines depict unclaimed environment that forms no part of the claimed design.

**1 Claim, 7 Drawing Sheets**

(56) **References Cited**

U.S. PATENT DOCUMENTS

- 911,179 A \* 2/1909 Siahaan et al. .... A47G 27/0493  
254/200
- 3,702,464 A \* 11/1972 Castrucci ..... G06K 19/07743  
235/492
- 4,017,770 A \* 4/1977 Valfre ..... H05K 7/1435  
361/756
- D270,634 S \* 9/1983 Ungar ..... D14/205



(56)

References Cited

U.S. PATENT DOCUMENTS

5,373,555 A *	12/1994	Norris	H04M 1/05	9,031,264 B2 *	5/2015	Yang	H04R 1/1033
			379/430	D736,150 S *	8/2015	Liu	381/189
D416,869 S *	11/1999	Tsai	D13/153	D742,320 S *	11/2015	Akana	D13/108
6,122,369 A *	9/2000	Hwang	H04M 1/6058	D742,356 S *	11/2015	Toelle	D13/147
			379/420.04	D743,355 S *	11/2015	Wang	D14/205
6,438,248 B1 *	8/2002	Kamimura	H04M 1/05	D743,370 S *	11/2015	Toelle	D13/180
			381/374	D745,932 S *	11/2015	Toelle	D14/205
D463,790 S *	10/2002	Beraut	D14/205	D745,464 S *	12/2015	Koenig	D14/205
D511,157 S *	11/2005	Johnson	D14/223	9,241,209 B2 *	1/2016	Toelle	D13/147
6,970,359 B2 *	11/2005	Gochnour	G06K 19/07739	D751,560 S *	3/2016	Akana	H04R 1/1066
			235/492	D751,991 S *	3/2016	Akana	D14/433
6,975,644 B2 *	12/2005	Tordera	H04W 88/02	D752,542 S *	3/2016	Lamar	D13/147
			370/463	D765,601 S *	9/2016	Palmer	D14/205
D523,846 S *	6/2006	Lee	D14/205	D774,489 S *	12/2016	Loh Jun Kern	D14/205
D556,741 S *	12/2007	Yeo	D14/205	D775,108 S *	12/2016	Hsieh	D14/223
D556,764 S *	12/2007	Nishizawa	D14/436	D776,083 S *	1/2017	Lee	D14/205
D572,242 S *	7/2008	Yang	D14/205	D780,155 S *	2/2017	Levine	D14/205
D581,932 S *	12/2008	Nishizawa	D14/436	D798,844 S *	10/2017	Nokuo	D14/223
7,458,519 B2 *	12/2008	Aoki	G06K 19/077	D803,184 S *	11/2017	Loh Jun Kern	D14/205
			235/451	D810,749 S *	2/2018	Zhang	D14/433
D591,754 S *	5/2009	Hwangbo	D14/436	D813,820 S *	3/2018	Akana	D13/147
D594,418 S *	6/2009	Fujino	D13/147	D814,473 S *	4/2018	Kadonaga	D14/436
D598,778 S *	8/2009	Lepoitevin	B65D 1/0223	D815,600 S *	4/2018	Matsuoka	D13/147
			D9/552	D821,999 S *	7/2018	Guo	D14/205
D598,894 S *	8/2009	Masuda	D14/205	D826,171 S *	8/2018	Wang	D14/205
D605,628 S *	12/2009	Ando	D14/205	D830,336 S *	10/2018	Cai	D13/147
D643,040 S *	8/2011	Sedio	D14/436	D846,502 S *	4/2019	Akana	D14/205
8,073,181 B2 *	12/2011	Bakalos	H04R 3/04	D863,266 S *	10/2019	Kim	D13/147
			381/103	D864,963 S *	10/2019	Luo	D14/223
D653,235 S *	1/2012	McManigal	D14/205	2002/0170972 A1 *	11/2002	Kim	D14/433
8,218,808 B2 *	7/2012	Xu	H04R 1/1033				G06K 19/07743
			381/370	2004/0204177 A1 *	10/2004	Pon	235/487
8,237,623 B2 *	8/2012	Hung	H01Q 1/52				H04B 1/3883
			343/702	2005/0215108 A1 *	9/2005	Chen	455/573
D671,531 S *	11/2012	Kim	D14/223				H01R 13/641
D681,640 S *	5/2013	Aoki	D14/436	2005/0230484 A1 *	10/2005	Cuellar	439/409
8,442,257 B2 *	5/2013	Aase	H01B 13/0013				G06K 19/07733
			381/370	2006/0049265 A1 *	3/2006	Ho	235/492
8,447,062 B2 *	5/2013	Lin	H04R 1/1033				H05K 1/117
			381/370	2009/0033574 A1 *	2/2009	Hung	235/492
8,605,929 B2 *	12/2013	Tsai	H04R 7/04				H01Q 1/273
			381/349	2014/0013012 A1 *	1/2014	Terlizzi	343/718
D697,050 S *	1/2014	Thompson	D14/206				G06F 13/38
D707,660 S *	6/2014	Yang	H04R 1/10	2014/0363040 A1 *	12/2014	Silvestri	710/15
			D14/223				H04R 1/1016
D707,680 S *	6/2014	Akana	D14/433	2014/0376765 A1 *	12/2014	Toelle	381/380
D713,795 S *	9/2014	Yang	D13/147				H04R 1/1066
D722,040 S *	2/2015	Tan	D14/205	2016/0206222 A1 *	7/2016	Liu	381/384
				2016/0322756 A1 *	11/2016	Tsai	A61B 5/024
				2017/0085041 A1 *	3/2017	Zhang	H01R 13/6581
				2019/0394557 A1 *	12/2019	Konagai	H01R 13/7175
							H04R 1/1041

\* cited by examiner

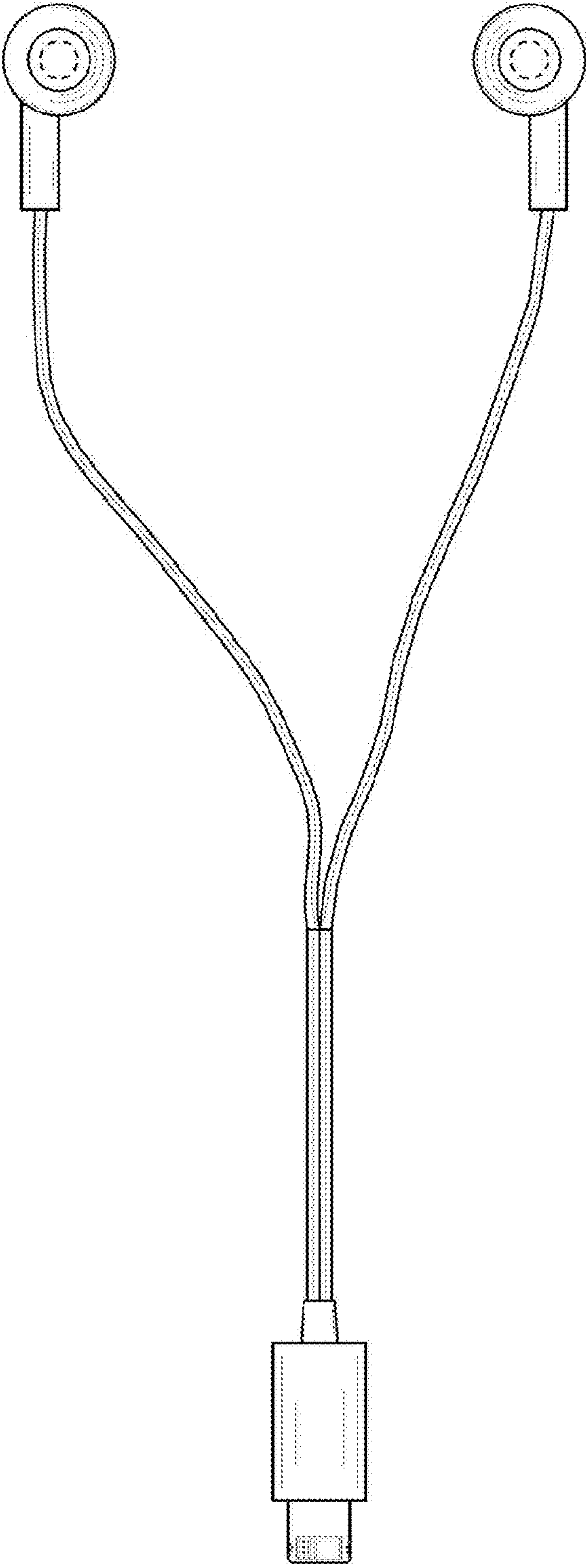


FIG.1

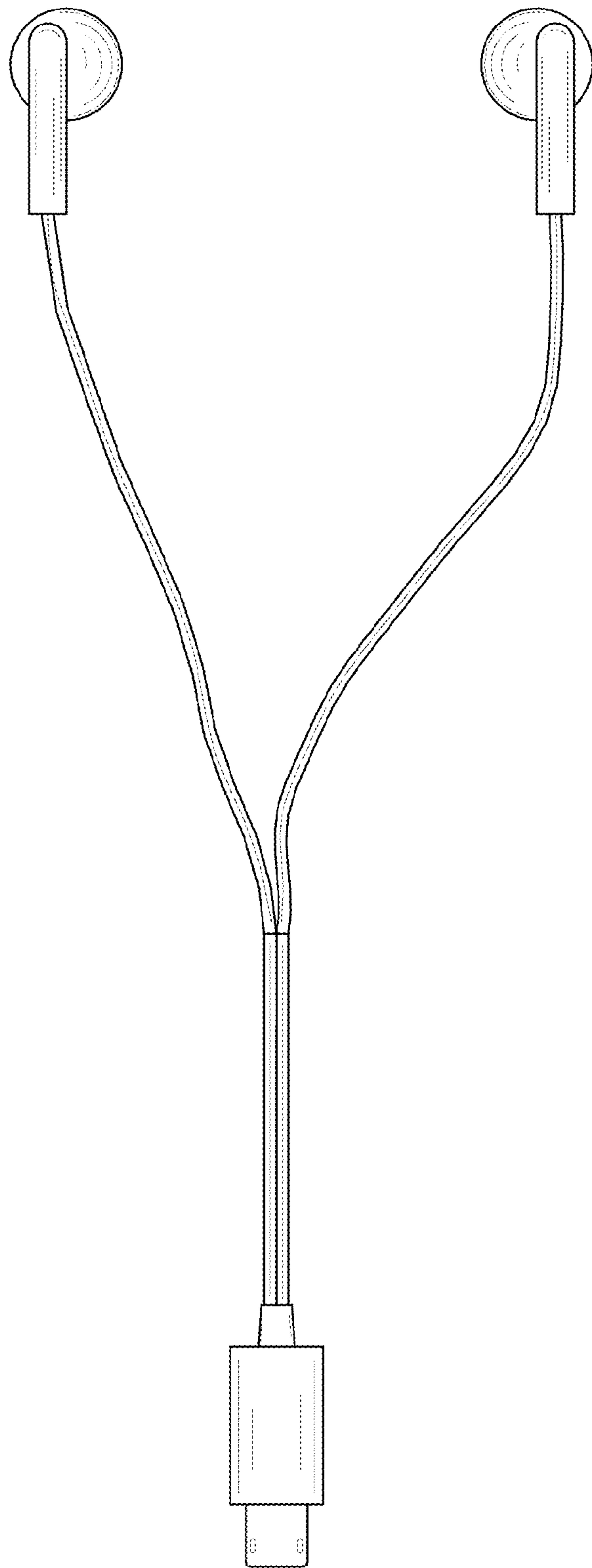


FIG.2



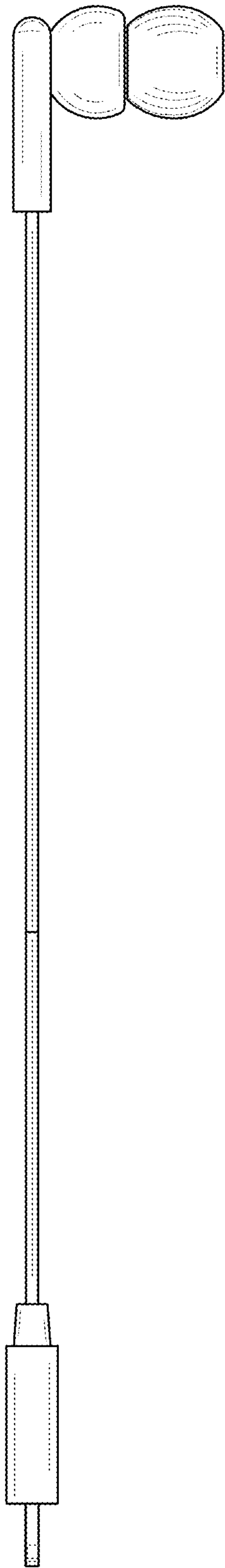


FIG.3

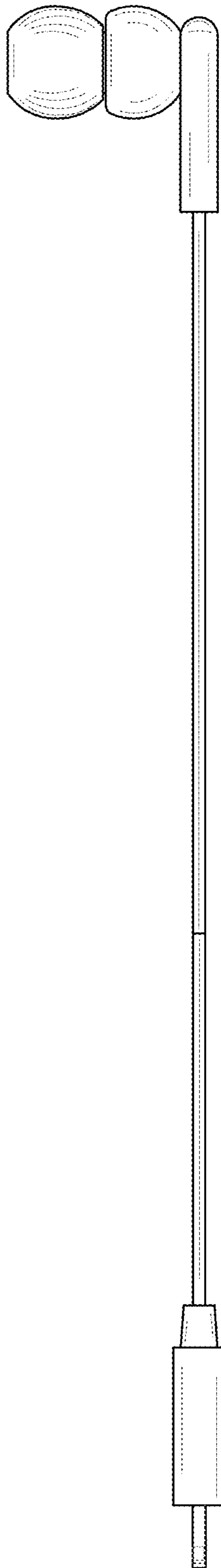


FIG.4

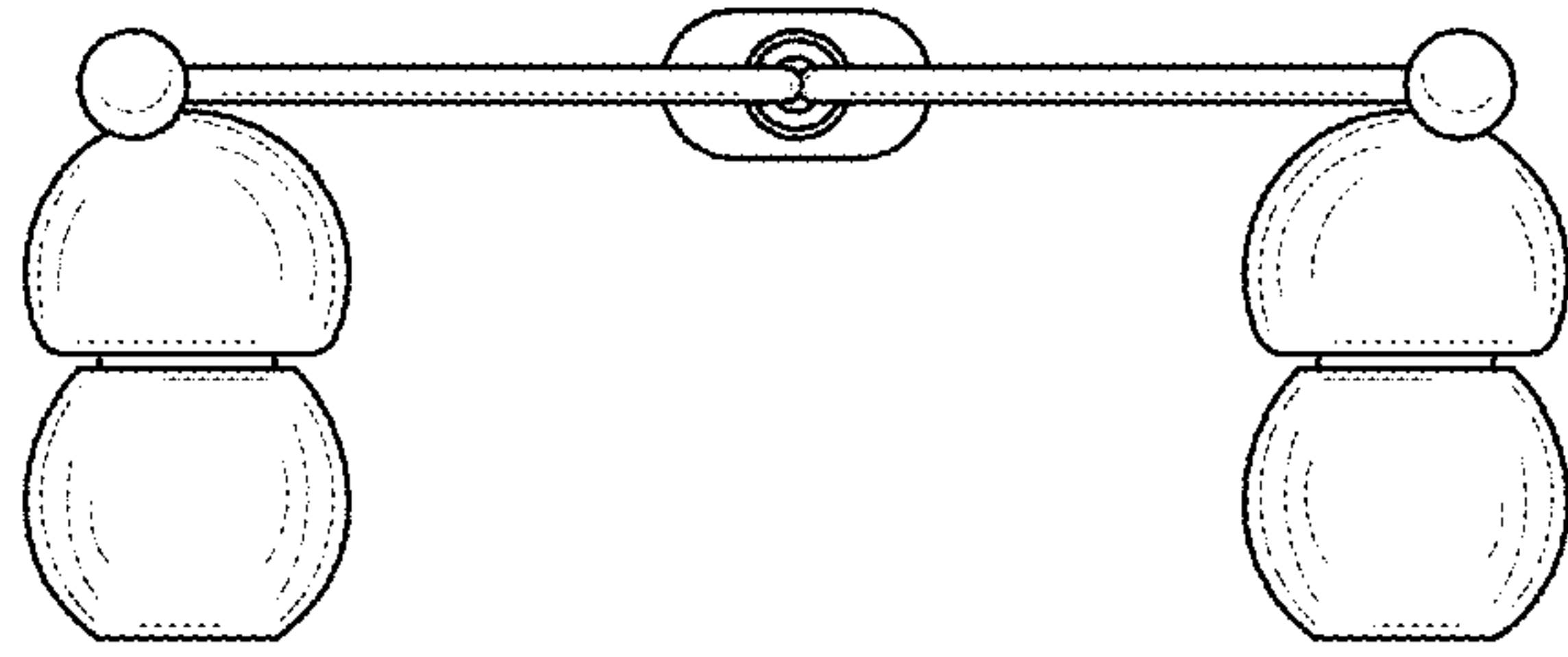


FIG. 5

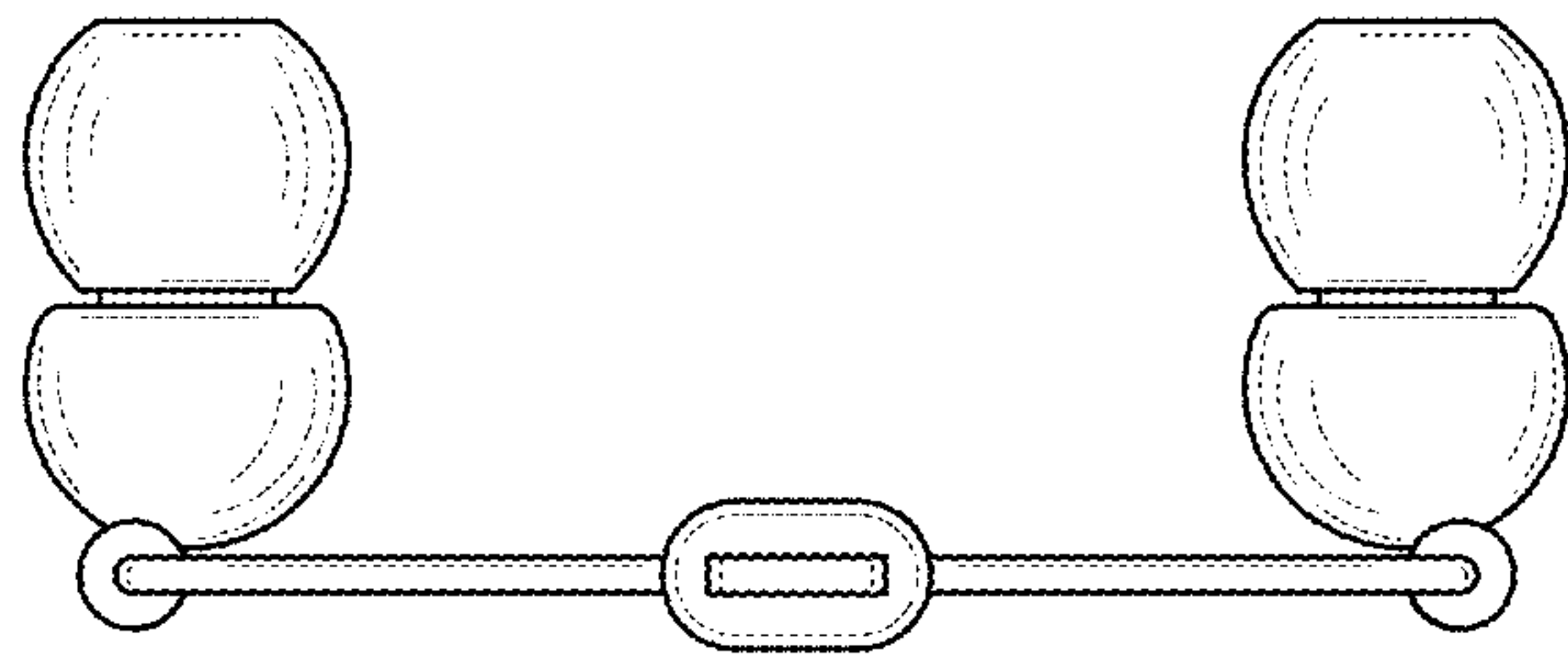


FIG. 6

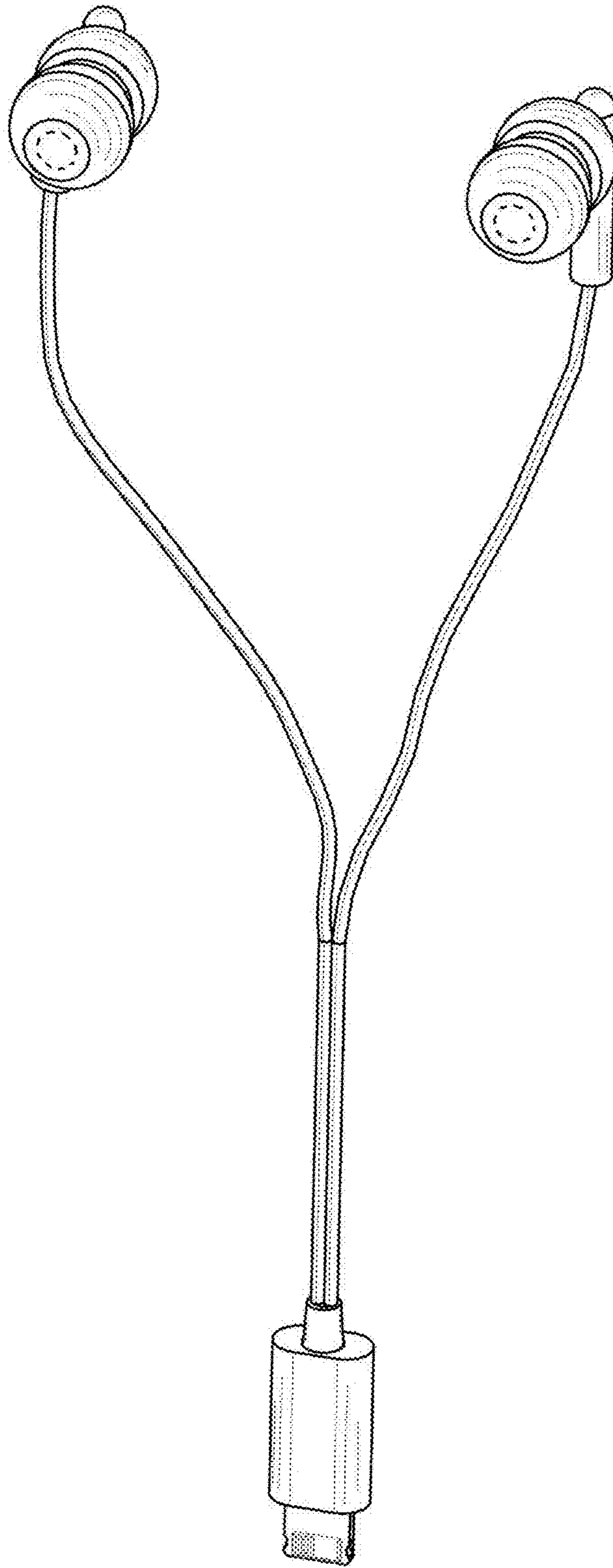


FIG. 7



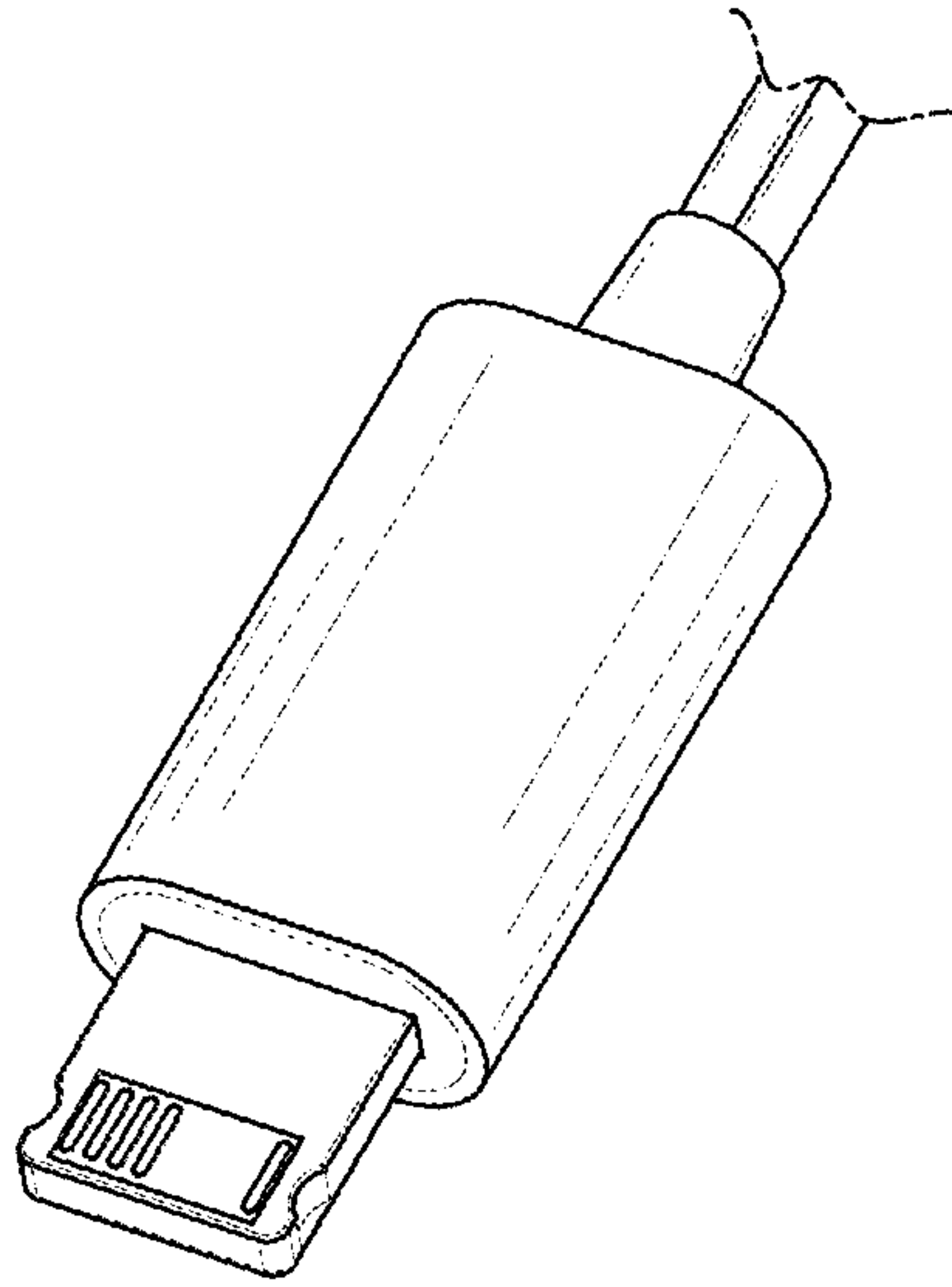


FIG. 8

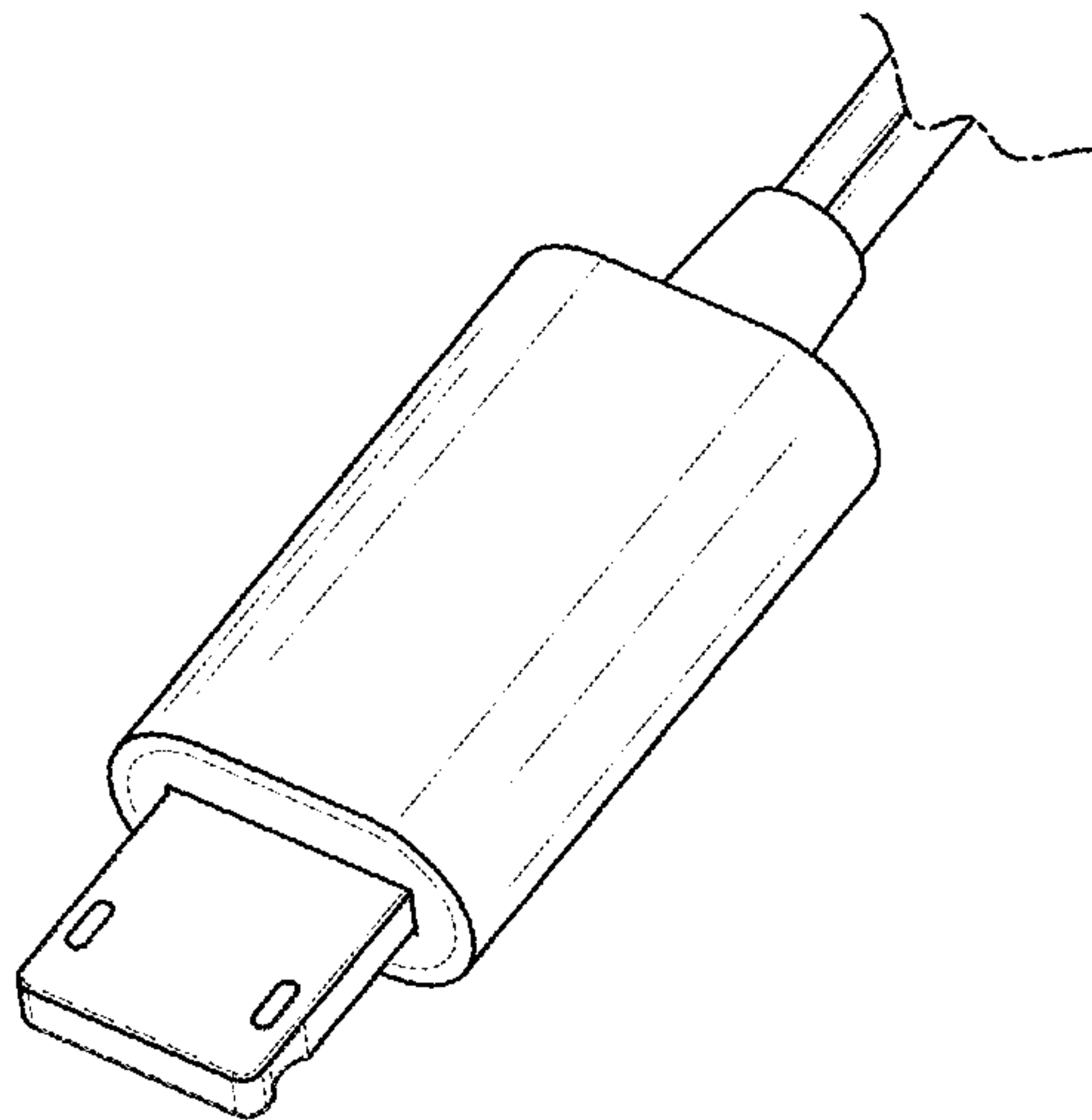


FIG. 9