



US00D888008S

(12) **United States Design Patent**
Yook

(10) **Patent No.:** **US D888,008 S**
(45) **Date of Patent:** **** Jun. 23, 2020**

(54) **HEADPHONE**

(71) Applicant: **Harman International Industries, Incorporated**, Northridge, CA (US)

(72) Inventor: **Jinwon Yook**, Shenzhen (CN)

(73) Assignee: **Harman International Industries, Incorporated**, Northridge, CA (US)

(**) Term: **15 Years**

(21) Appl. No.: **29/661,389**

(22) Filed: **Aug. 27, 2018**

(51) **LOC (12) Cl.** **14-01**

(52) **U.S. Cl.**
USPC **D14/205**

(58) **Field of Classification Search**
USPC D14/205, 188, 192, 372; D29/112;
2/209; 181/129, 130, 135; 379/430, 431;
381/380, 381, 370, 374; 455/90.3, 575.1,
455/569.1

CPC H04R 25/00; H04R 1/1066; H04R 1/1016;
H04R 5/033; H04R 5/0335; H04R 1/1091
See application file for complete search history.

(56) **References Cited**

U.S. PATENT DOCUMENTS

D328,461 S *	8/1992	Daido	D14/205
7,072,483 B2 *	7/2006	Lenhard-Backhaus	H04R 1/1066
				381/370
D573,581 S *	7/2008	Gondo	D14/205
D642,554 S *	8/2011	Schaal	D14/205
D673,136 S *	12/2012	Kelly	D14/205
D675,595 S *	2/2013	Cho	D14/205
D678,860 S *	3/2013	Hagelin	D14/205
D683,329 S *	5/2013	Hagelin	D14/205
D691,579 S *	10/2013	Lee	D14/205
D693,791 S *	11/2013	Troy	D14/205
D739,842 S *	9/2015	Birger	D14/205
D768,110 S *	10/2016	Suzuki	D14/205
D769,842 S	10/2016	Rouffiat		

D794,602 S *	8/2017	Riggs	D14/205
D811,364 S	2/2018	Park		
D832,232 S	10/2018	Czaniecki et al.		
D857,652 S *	8/2019	Wang	D14/205

(Continued)

FOREIGN PATENT DOCUMENTS

EM	003718634-0003	*	1/2017
EM	003773324-0002	*	2/2017
EM	005835428-0001	*	11/2018

OTHER PUBLICATIONS

JBL E65BTNC Wireless Over-Ear Noise-Cancelling Headphones Specification Sheet, Harman International Industries, Incorporated, 2017.

(Continued)

Primary Examiner — Paula Allen Greene
(74) *Attorney, Agent, or Firm* — Plumsea Law Group, LLC

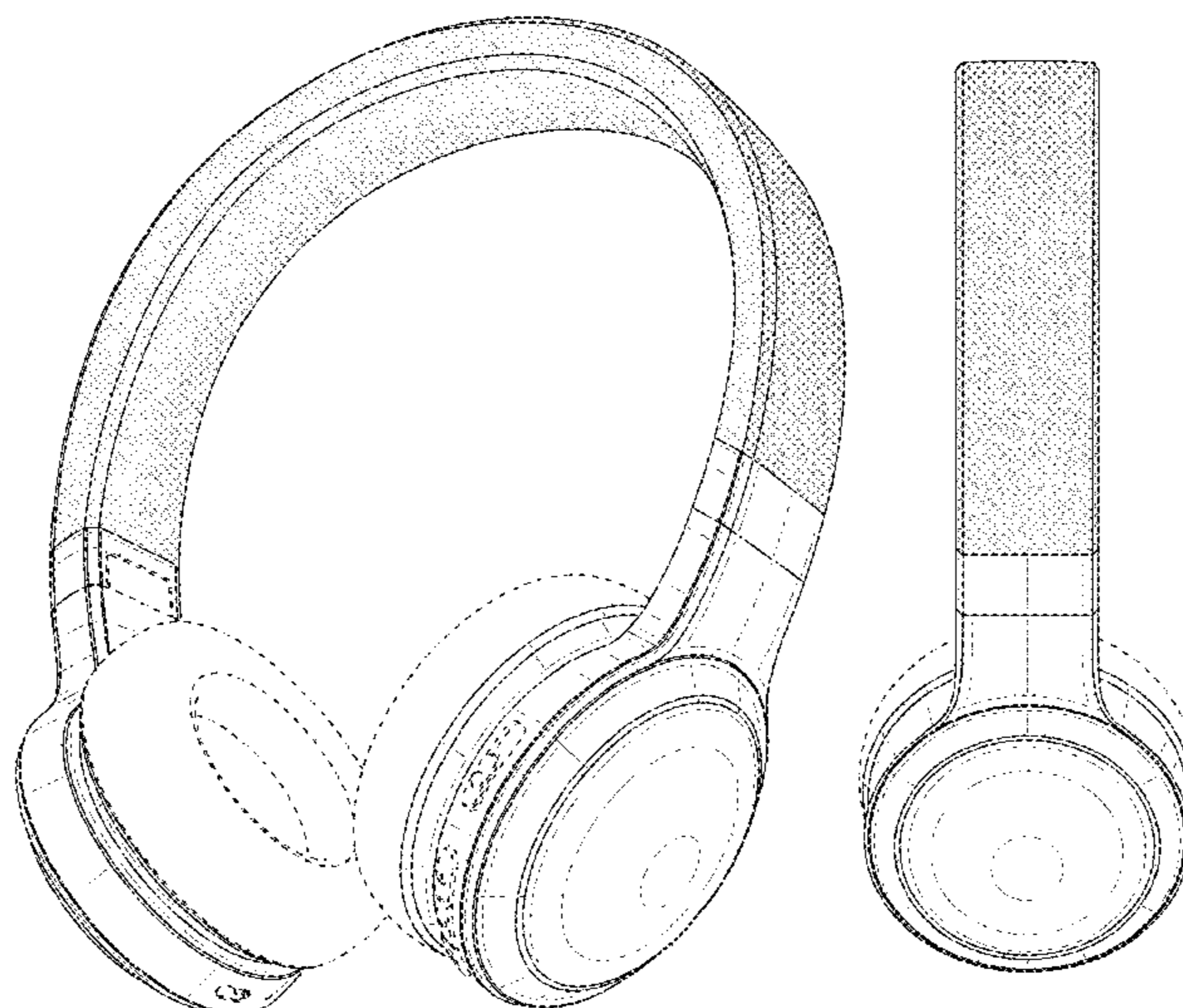
(57) **CLAIM**

The ornamental design for a headphone, as shown and described.

DESCRIPTION

FIG. 1 is a perspective view of a headphone showing the new design;
FIG. 2 is a front elevational view thereof;
FIG. 3 is a rear elevational view thereof;
FIG. 4 is a side elevational view thereof;
FIG. 5 is an opposite side elevational view thereof;
FIG. 6 is a top view thereof; and,
FIG. 7 is a bottom view thereof.
The broken lines immediately adjacent the shaded areas represent the bounds of the claimed design while all other broken lines are directed to environment and are for illustrative purposes only; the broken lines form no part of the claimed design.

1 Claim, 7 Drawing Sheets



(56)

References Cited

U.S. PATENT DOCUMENTS

D858,483 S * 9/2019 Hu D14/205
D860,163 S * 9/2019 Xia D14/205
2010/0310093 A1* 12/2010 Semcken H04R 1/1058
381/104

OTHER PUBLICATIONS

Design U.S. Appl. No. 29/615,688, filed Aug. 30, 2017.

* cited by examiner



FIG. 1

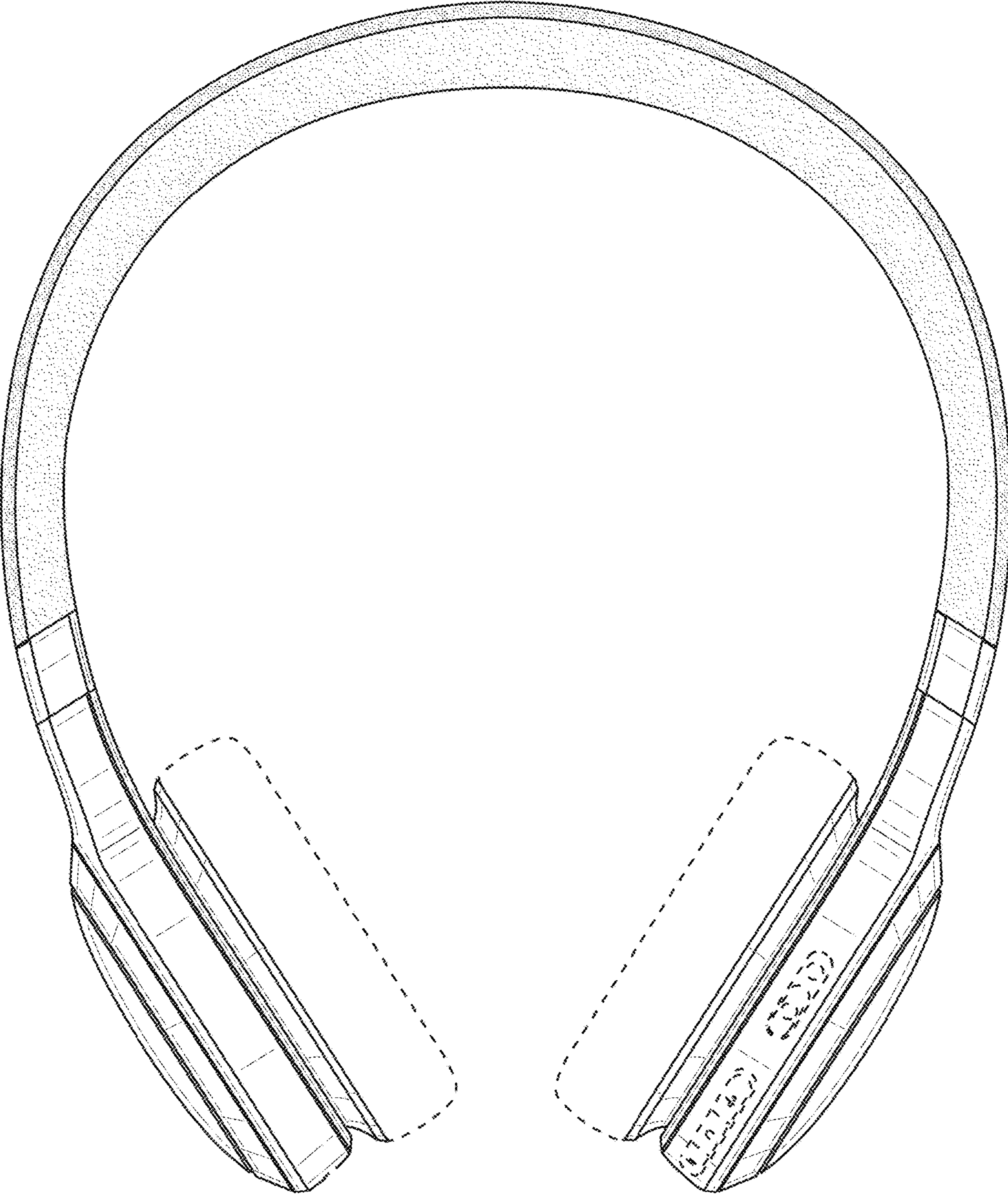


FIG. 2

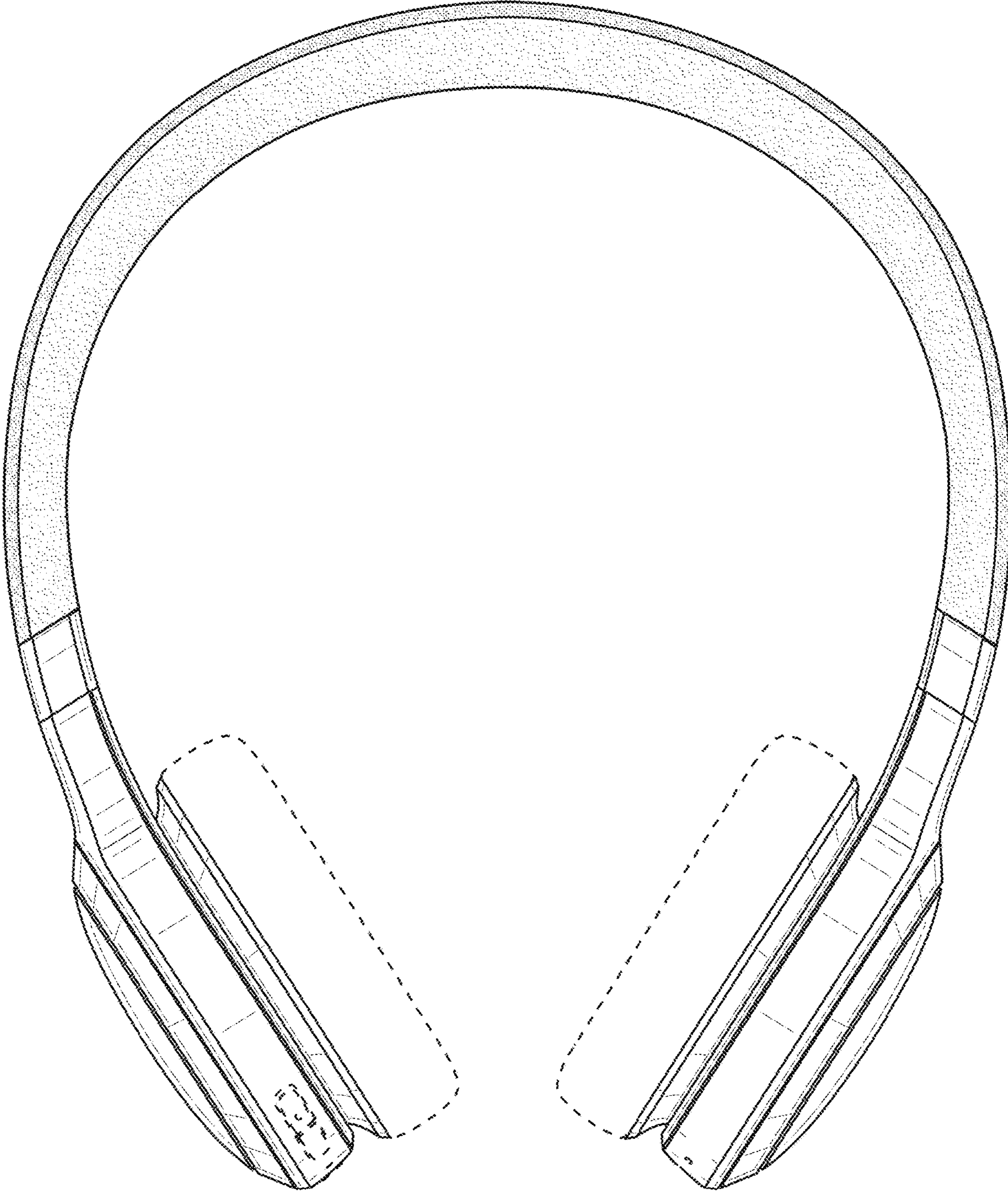


FIG. 3

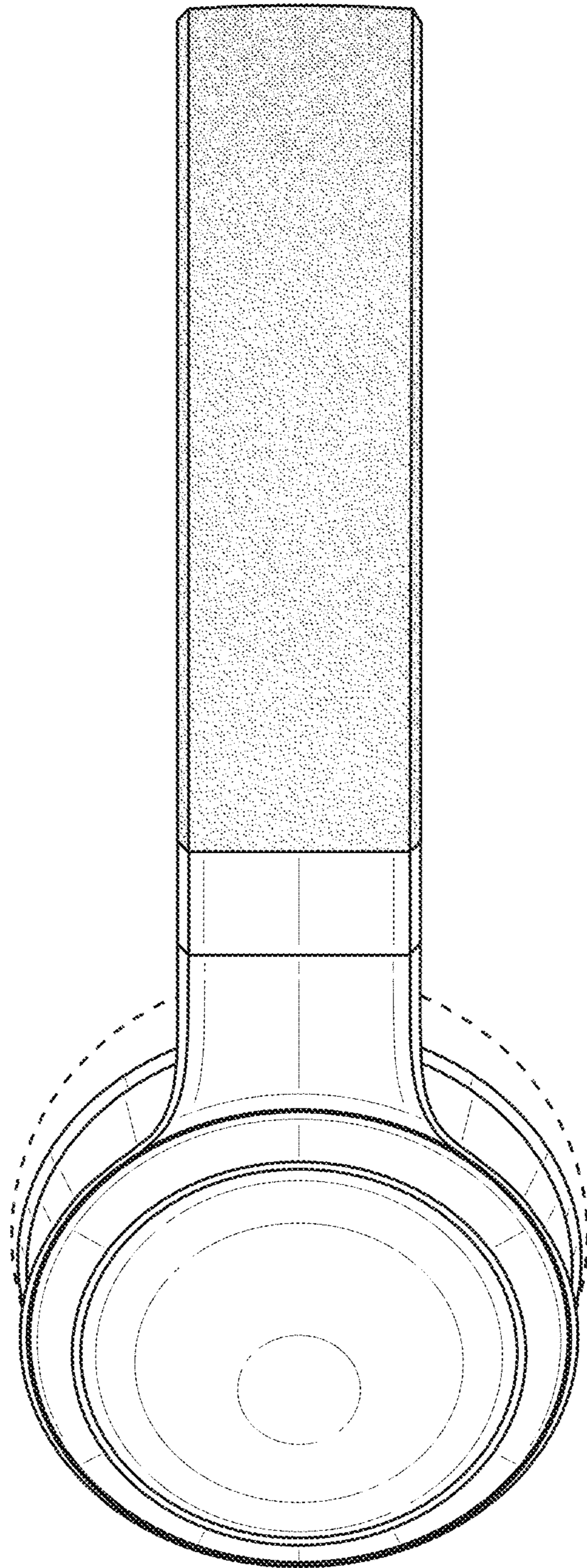


FIG. 4

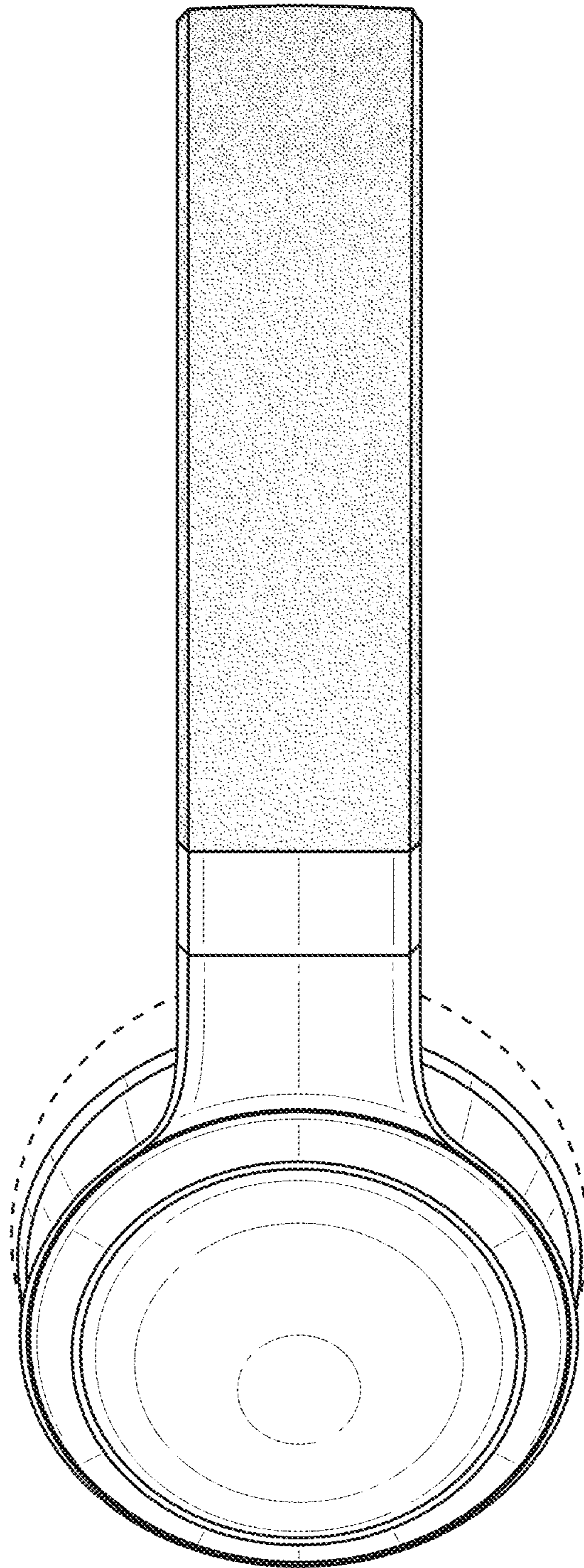


FIG. 5

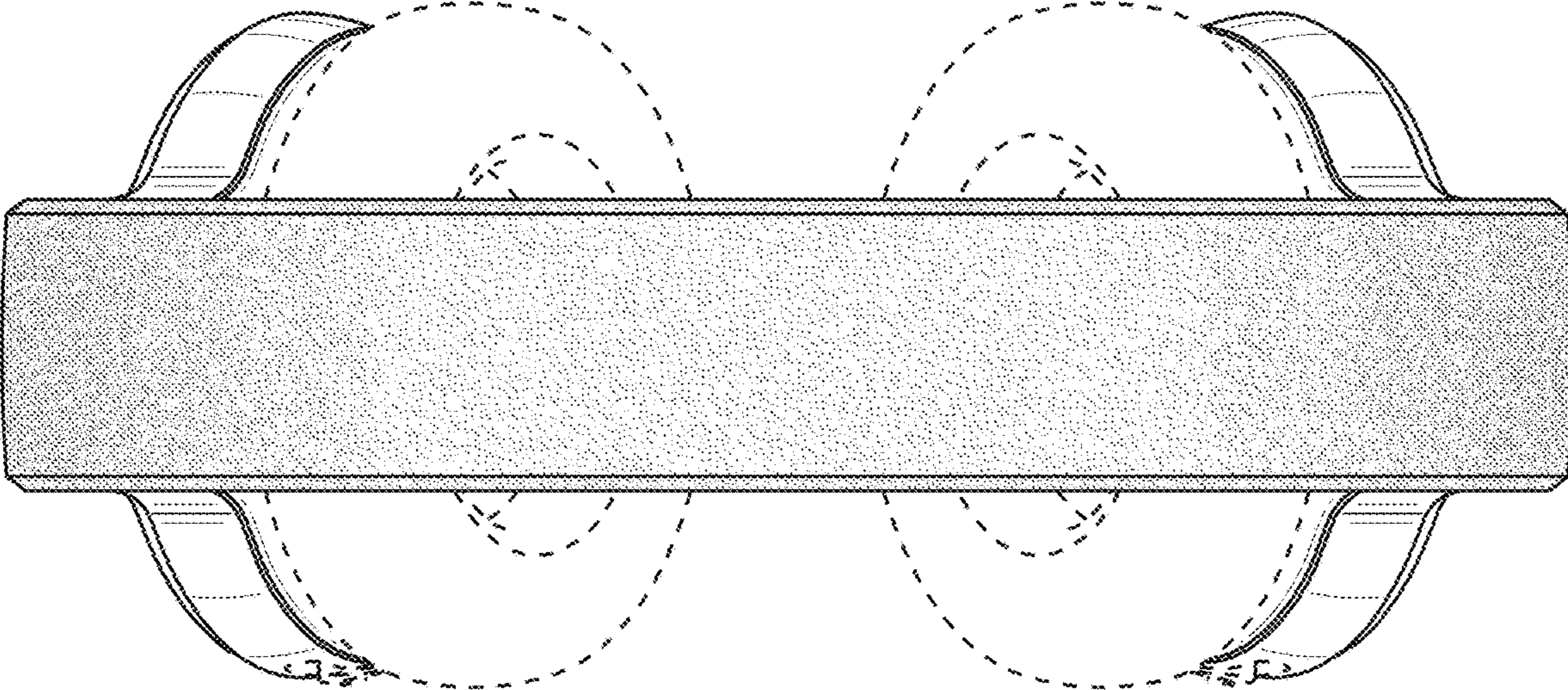


FIG. 6

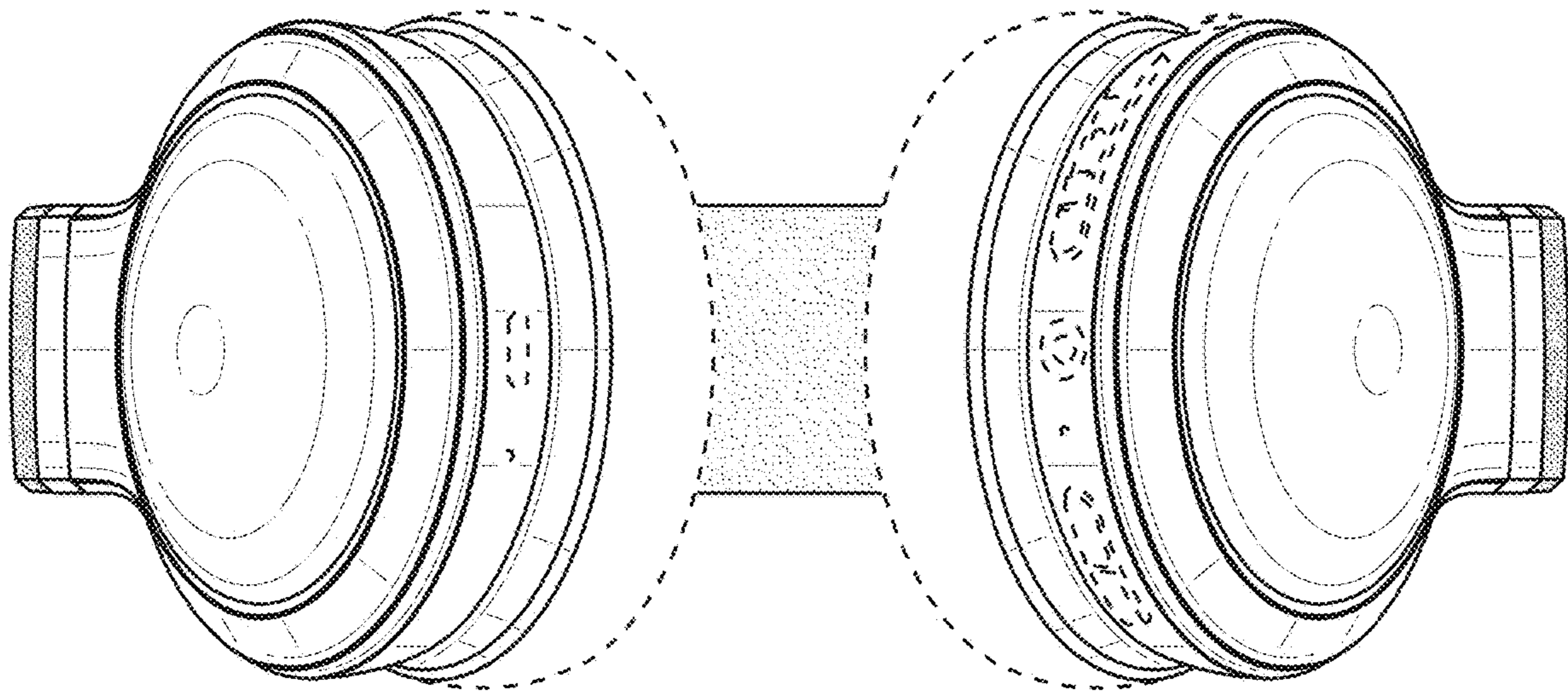


FIG. 7