



US00D888007S

(12) **United States Design Patent** (10) **Patent No.:** **US D888,007 S**
Trasmonte et al. (45) **Date of Patent:** **** Jun. 23, 2020**

(54) **SPEAKER**

- (71) Applicant: **Dolby Laboratories Licensing Corporation**, San Francisco, CA (US)
- (72) Inventors: **George Trasmonte**, San Jose, CA (US); **Meiling Zhang**, San Francisco, CA (US); **Kelvin Francis Griffiths**, Bridgend (GB)
- (73) Assignee: **Dolby Laboratories Licensing Corporation**, San Francisco, CA (US)
- (**) Term: **15 Years**
- (21) Appl. No.: **29/662,369**
- (22) Filed: **Sep. 5, 2018**

Related U.S. Application Data

- (63) Continuation of application No. 29/602,248, filed on Apr. 28, 2017, now Pat. No. Des. 830,329.
- (51) **LOC (12) Cl.** **14-01**
- (52) **U.S. Cl.**
USPC **D14/204**
- (58) **Field of Classification Search**
USPC D14/167, 168, 170–172, 188, 204, 209.1, D14/210–216, 219, 221, 222, 224; 181/144, 148, 153, 157, 198; 369/6–12; 381/301–303, 306, 332, 334, 336, 345, 381/361–363, 386–388
CPC G06F 1/1688; H04R 1/02; H04R 1/025; H04R 1/026; H04R 1/323; H04R 1/403; H04R 1/2803; H04R 1/2834; H04R 5/02; H04R 9/06; H04R 2201/021; H04R 2400/00; H04R 2400/07; H04R 2499/11
See application file for complete search history.

(56) **References Cited**

U.S. PATENT DOCUMENTS

D241,554 S	9/1976	Bertagni et al.	
D304,586 S	11/1989	Freadman et al.	
D569,852 S	5/2008	Yonehara et al.	
D607,873 S	1/2010	Lee	
D622,244 S *	8/2010	Miyazawa	D14/138 G
D643,401 S	8/2011	Chen et al.	
D648,340 S	11/2011	Okura	
D666,163 S	8/2012	Hsu	
D688,706 S *	8/2013	Lee	D14/496
8,630,441 B2 *	1/2014	Shi	H04R 9/063 381/398
8,649,550 B2	2/2014	Shi et al.	
9,049,506 B2 *	6/2015	Jiang	H04R 9/025
D741,825 S	10/2015	James et al.	
D746,256 S *	12/2015	Lee	D14/204
D793,985 S *	8/2017	Lee	D14/138 G
2008/0031487 A1 *	2/2008	Sorensen	H04R 9/025 381/396
2012/0008816 A1 *	1/2012	Liu	H04R 9/063 381/401

* cited by examiner

Primary Examiner — Janice Patyk

(74) *Attorney, Agent, or Firm* — Saidman DesignLaw Group, LLC

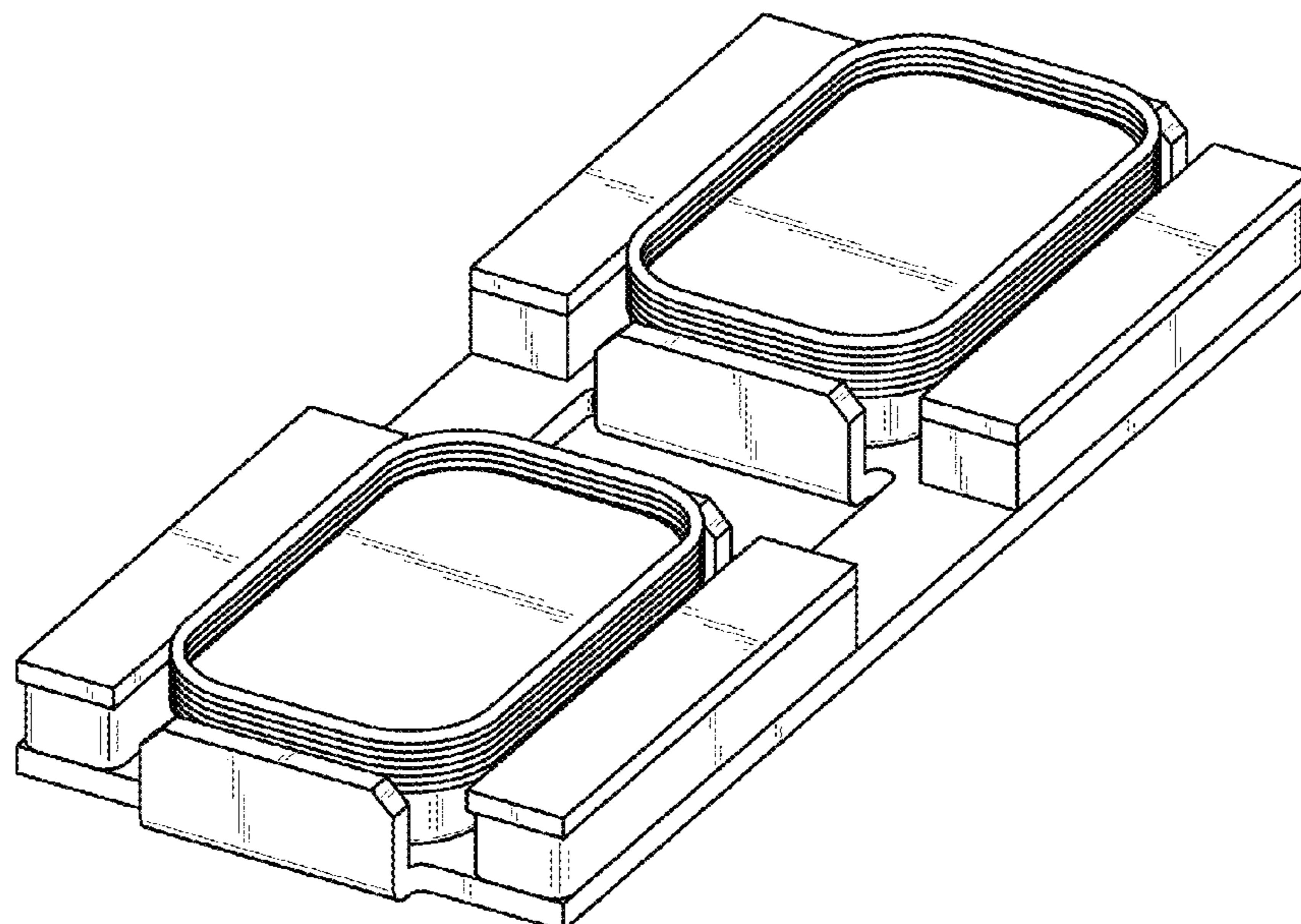
(57) **CLAIM**

The ornamental design for a speaker, as shown and described.

DESCRIPTION

FIG. 1 is a perspective view of a speaker showing our new design;
 FIG. 2 is a front view thereof, the rear view being identical;
 FIG. 3 is a side view thereof, the opposite side view being identical;
 FIG. 4 is a top view thereof; and,
 FIG. 5 is a bottom view thereof.

1 Claim, 3 Drawing Sheets



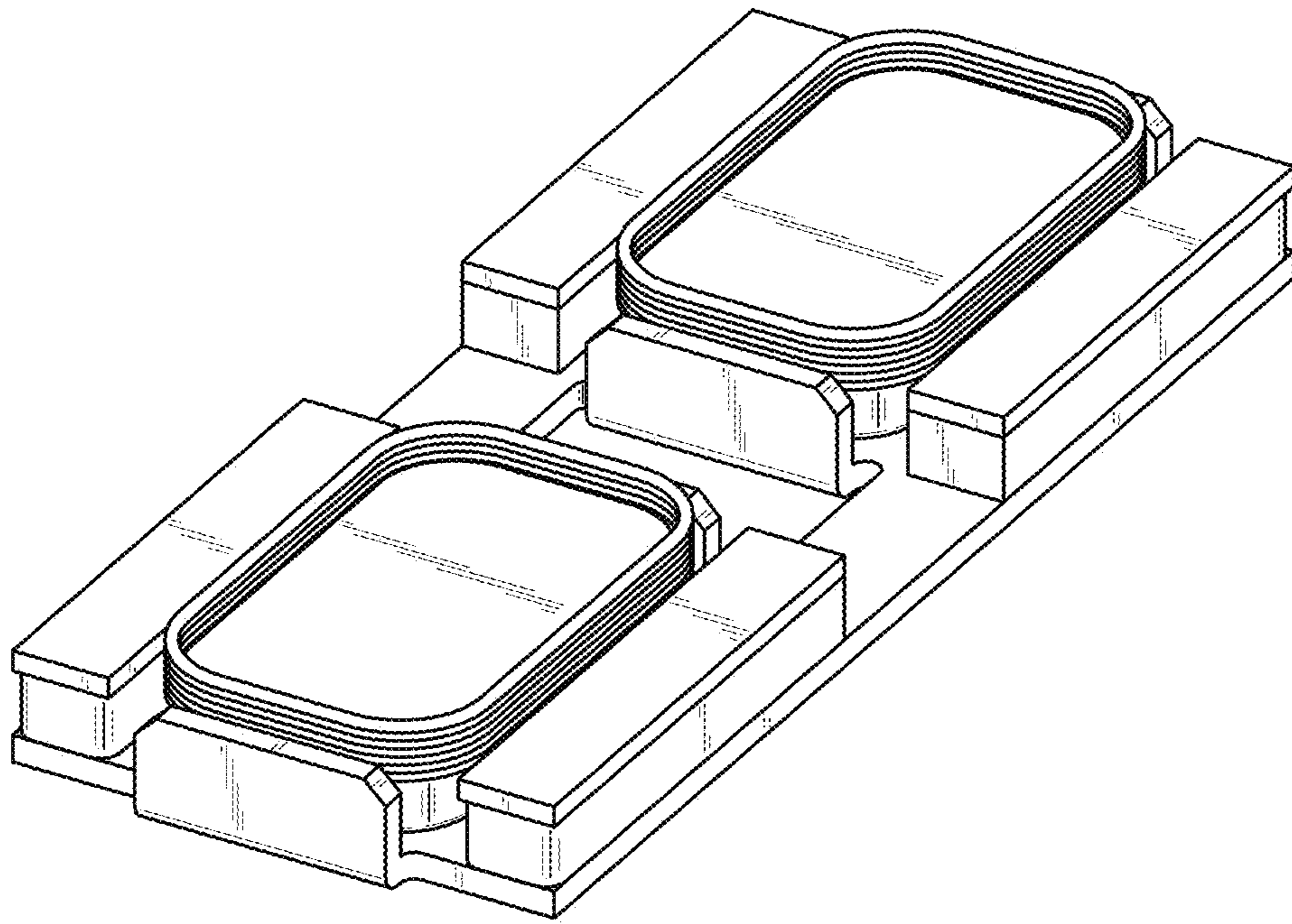


Fig. 1

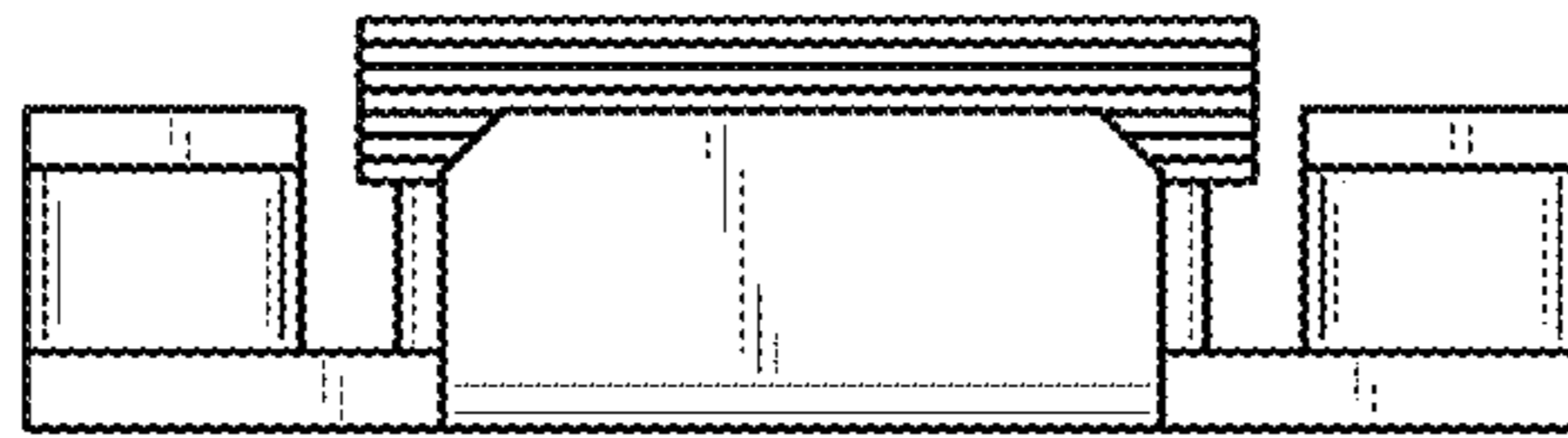


Fig. 2



Fig. 3

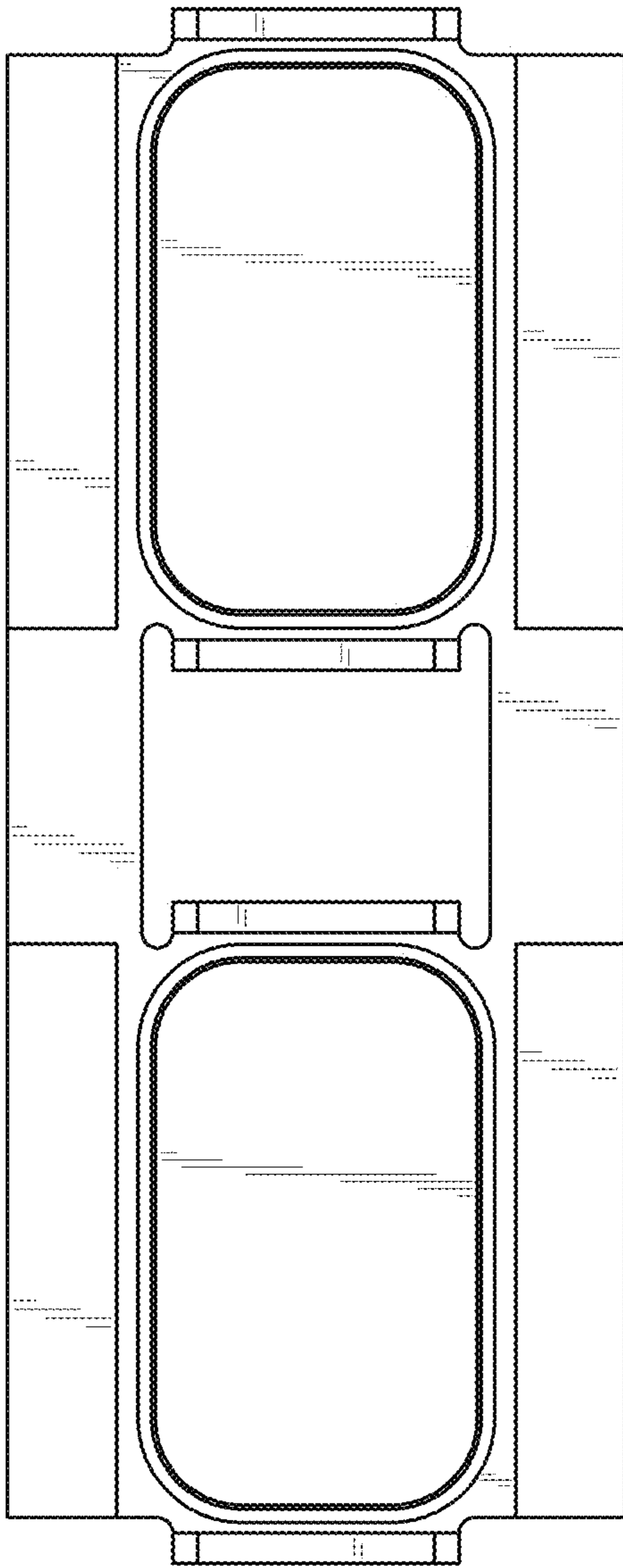


Fig. 4

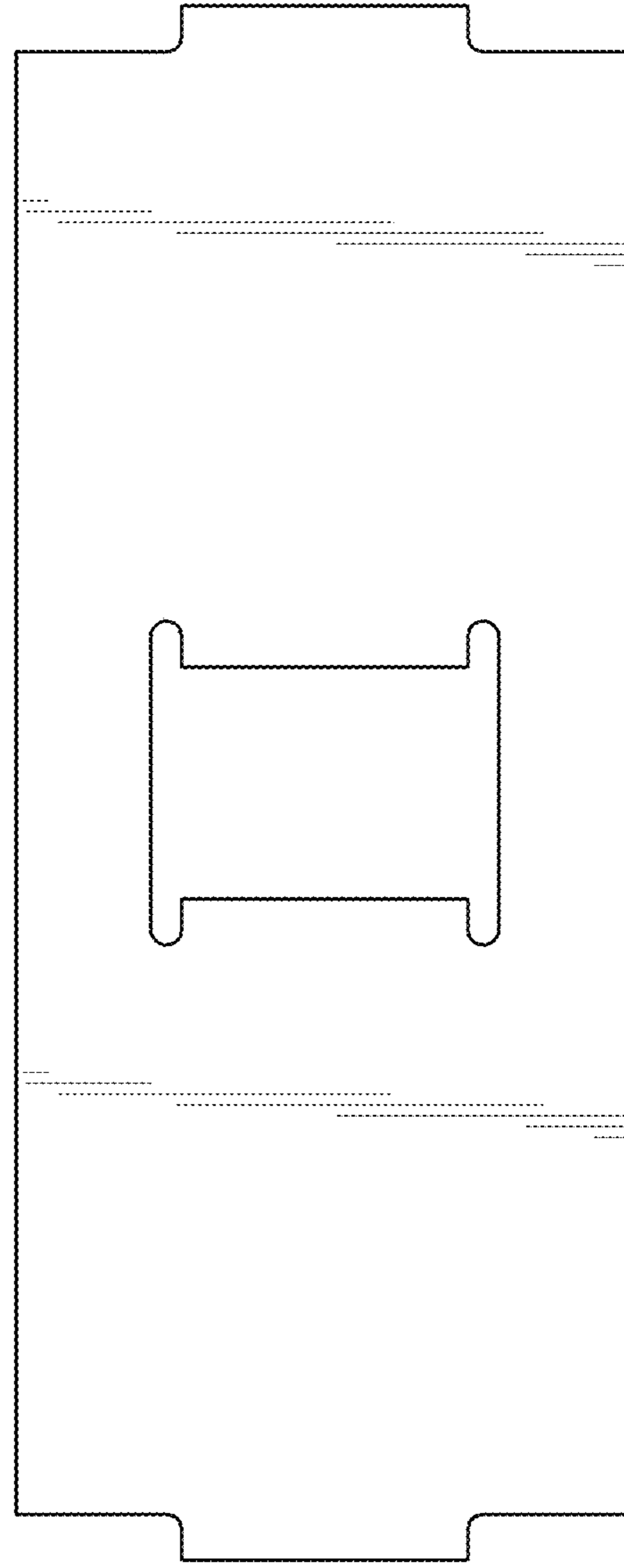


Fig. 5