



US00D888006S

(12) **United States Design Patent**  
**Zhoufeng**

(10) **Patent No.:** **US D888,006 S**

(45) **Date of Patent:** **\*\* Jun. 23, 2020**

(54) **BLUETOOTH SPEAKER**

(71) Applicant: **Lu Zhoufeng**, Shenzhen (CN)

(72) Inventor: **Lu Zhoufeng**, Shenzhen (CN)

(73) Assignee: **SHENZHEN HONGHAOTIANCHENG CO., LTD.**, Shenzhen (CN)

(\*\*) Term: **15 Years**

(21) Appl. No.: **29/642,720**

(22) Filed: **Apr. 2, 2018**

(51) **LOC (12) Cl.** ..... **14-01**

(52) **U.S. Cl.**  
USPC ..... **D14/204**

(58) **Field of Classification Search**  
USPC .... D14/167, 188, 204, 209.1, 210–215, 348, D14/352, 498–505; 181/143, 144, 148, 181/153, 157, 198, 199; 369/6–12; 381/300–303, 361–364, 366, 386–388  
CPC ..... H04R 1/02; H04R 1/021; H04R 1/023; H04R 5/00; H04R 9/06; H04R 2420/07  
See application file for complete search history.

(56) **References Cited**

**U.S. PATENT DOCUMENTS**

D553,155 S \* 10/2007 Kim ..... D14/496  
D572,232 S \* 7/2008 Joseph ..... D14/188

D581,399 S \* 11/2008 Andre ..... D14/214  
D582,416 S \* 12/2008 Duarte ..... D14/434  
D596,196 S \* 7/2009 Laituri ..... D14/168  
D708,228 S \* 7/2014 Fustino ..... D14/203.1  
D741,839 S \* 10/2015 Osborn ..... D14/214  
D781,264 S \* 3/2017 Kim ..... D14/204

\* cited by examiner

*Primary Examiner* — Janice Patyk

(74) *Attorney, Agent, or Firm* — Law Offices of Steven W. Weinrieb

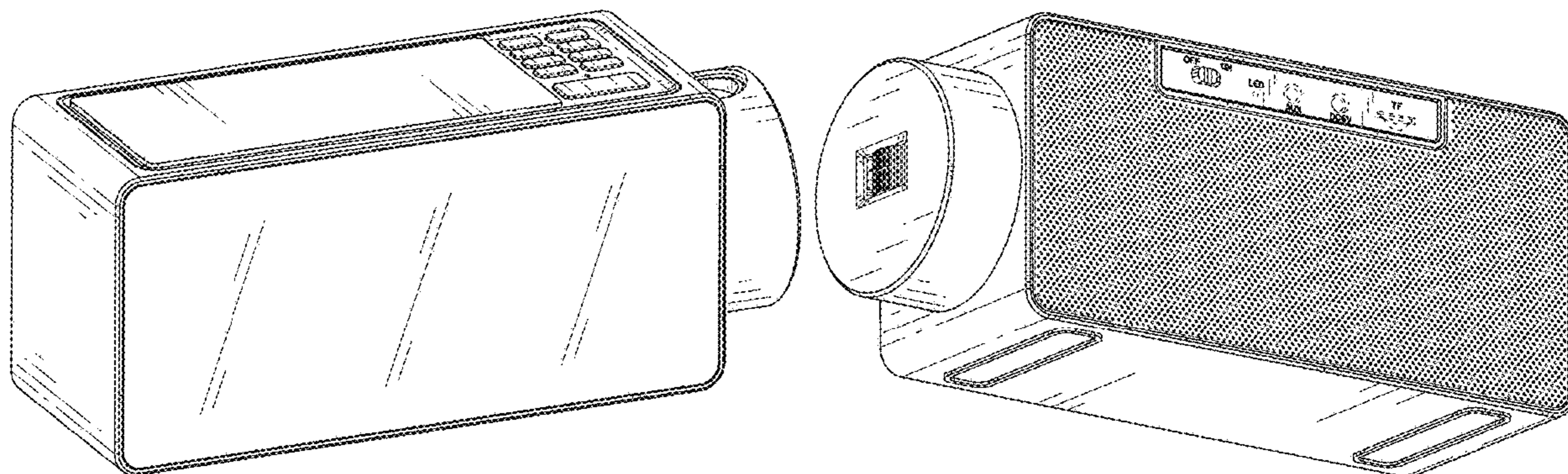
(57) **CLAIM**

The ornamental design for a bluetooth speaker, as shown and described.

**DESCRIPTION**

FIG. 1 is a front, right side, top perspective view of a bluetooth speaker showing my new design; FIG. 2 is a rear, left side, bottom perspective view thereof; FIG. 3 is a front elevational view thereof; FIG. 4 is a rear elevational view thereof; FIG. 5 is a left side elevational view thereof; FIG. 6 is a right side elevational view thereof; FIG. 7 is a top plan view thereof; and, FIG. 8 is a bottom plan view thereof. The broken lines shown in the drawing figures illustrate portions of the design that form no part of the claimed design.

**1 Claim, 8 Drawing Sheets**



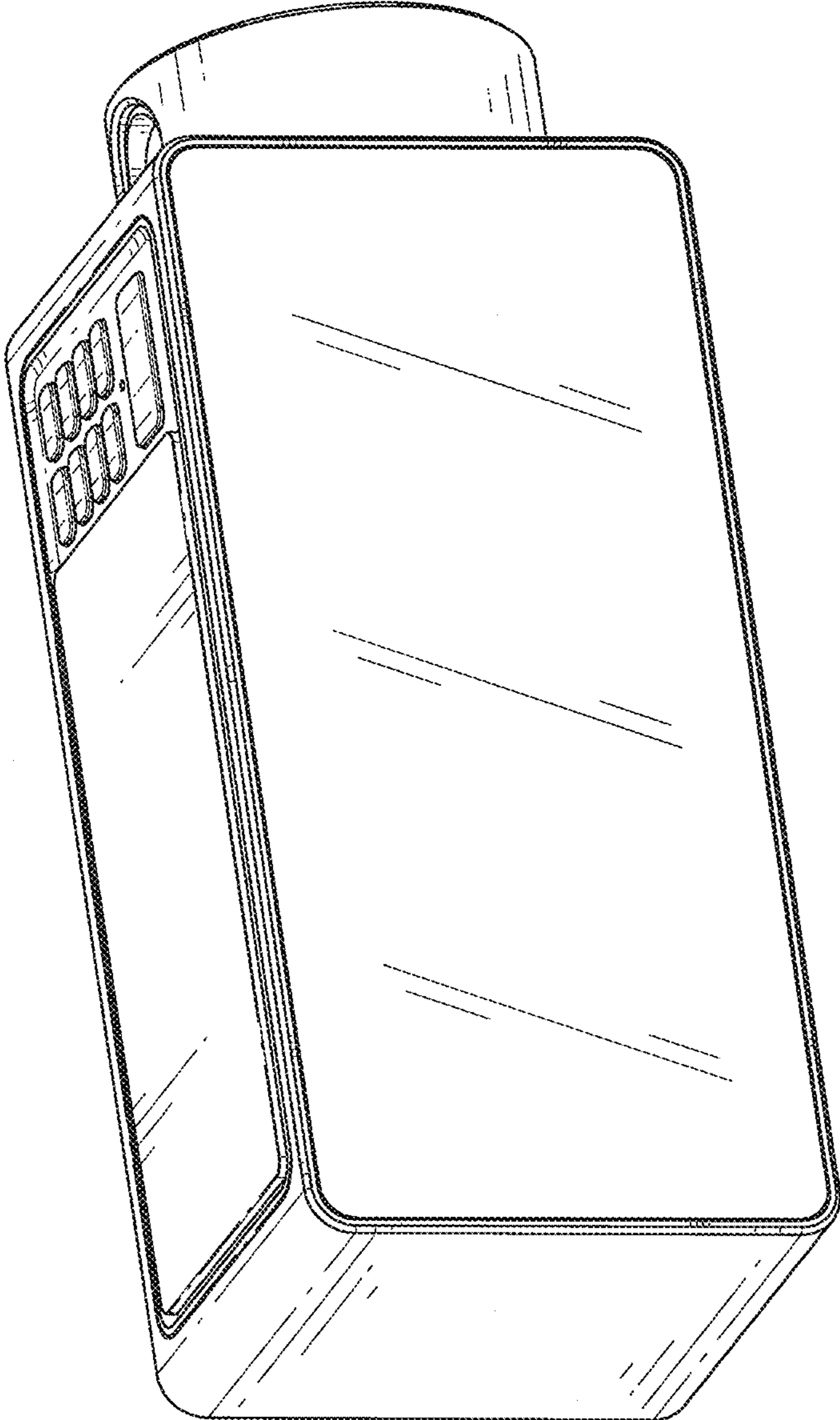


FIG. 1

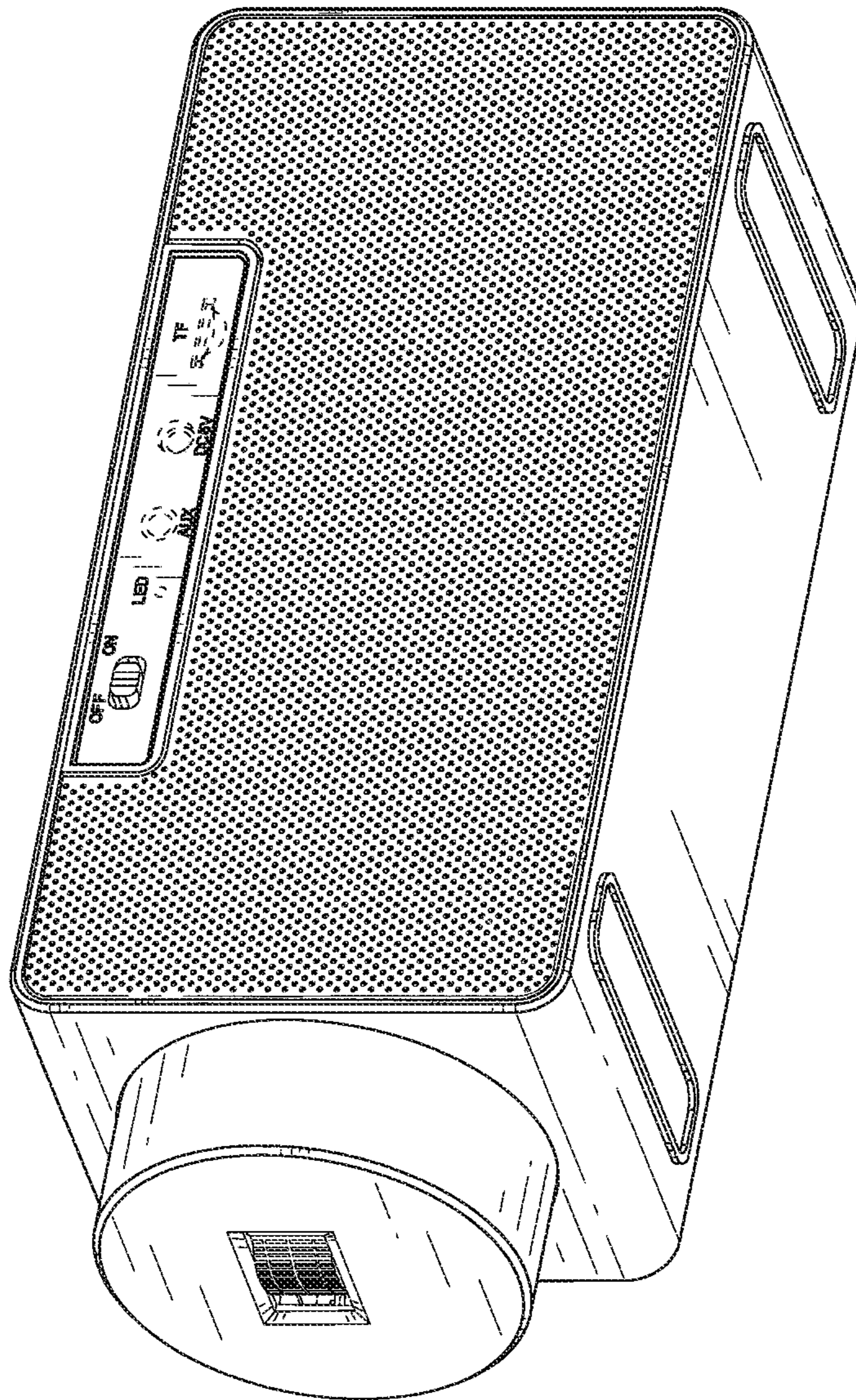


FIG. 2

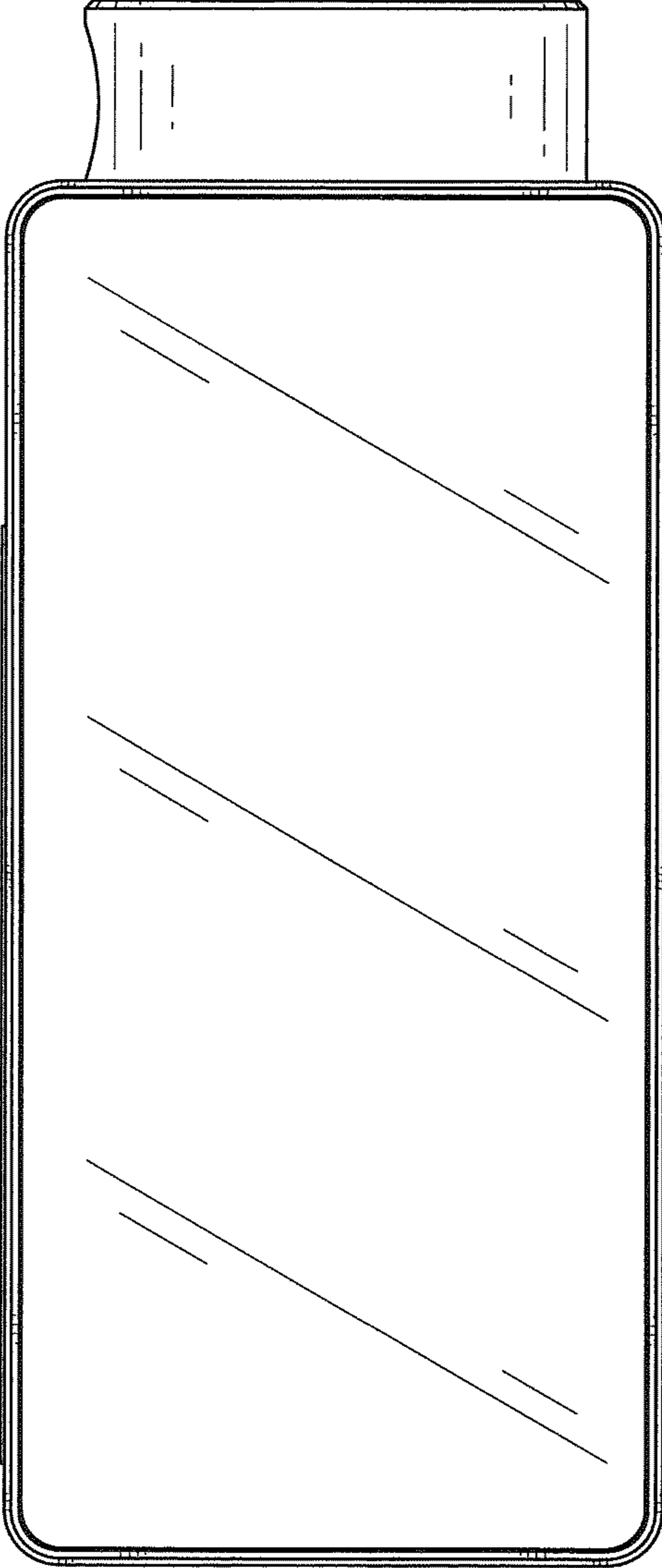


FIG. 3

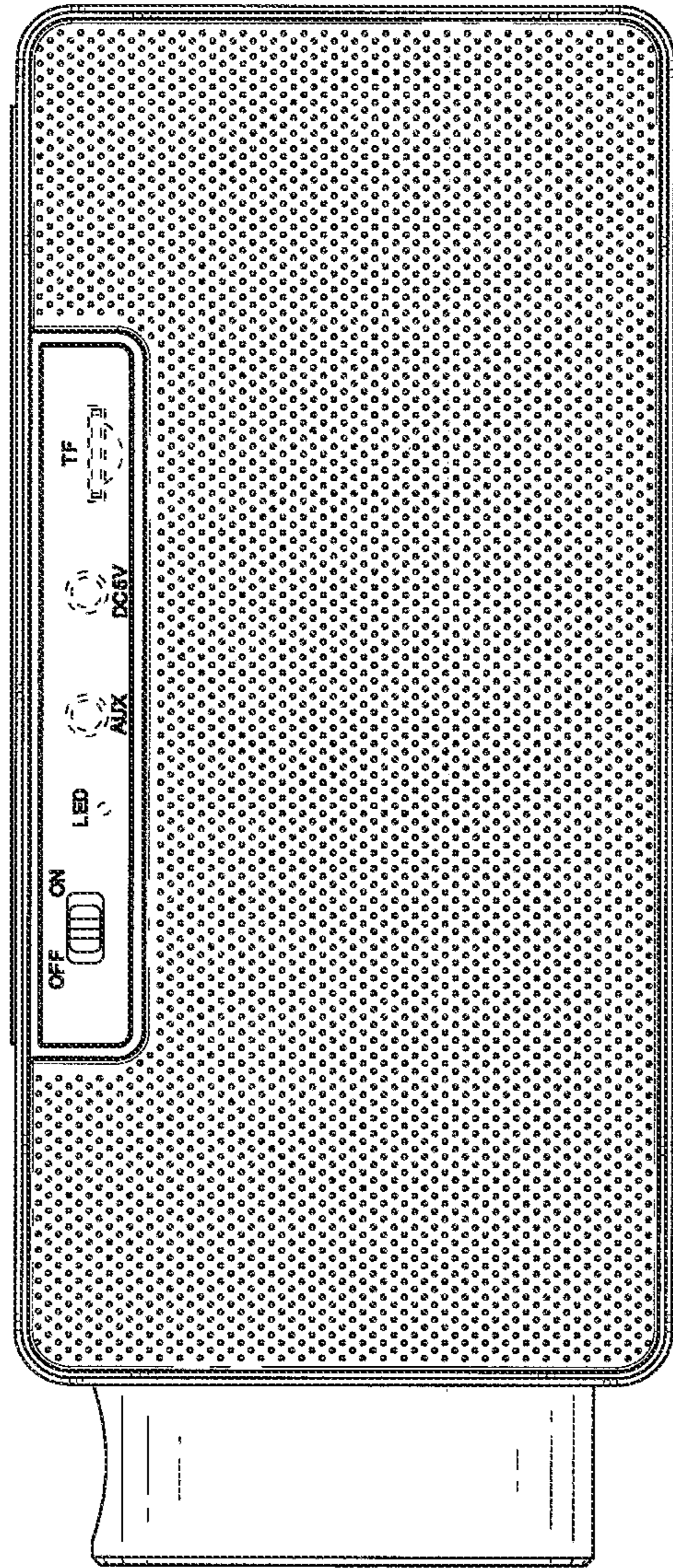


FIG. 4

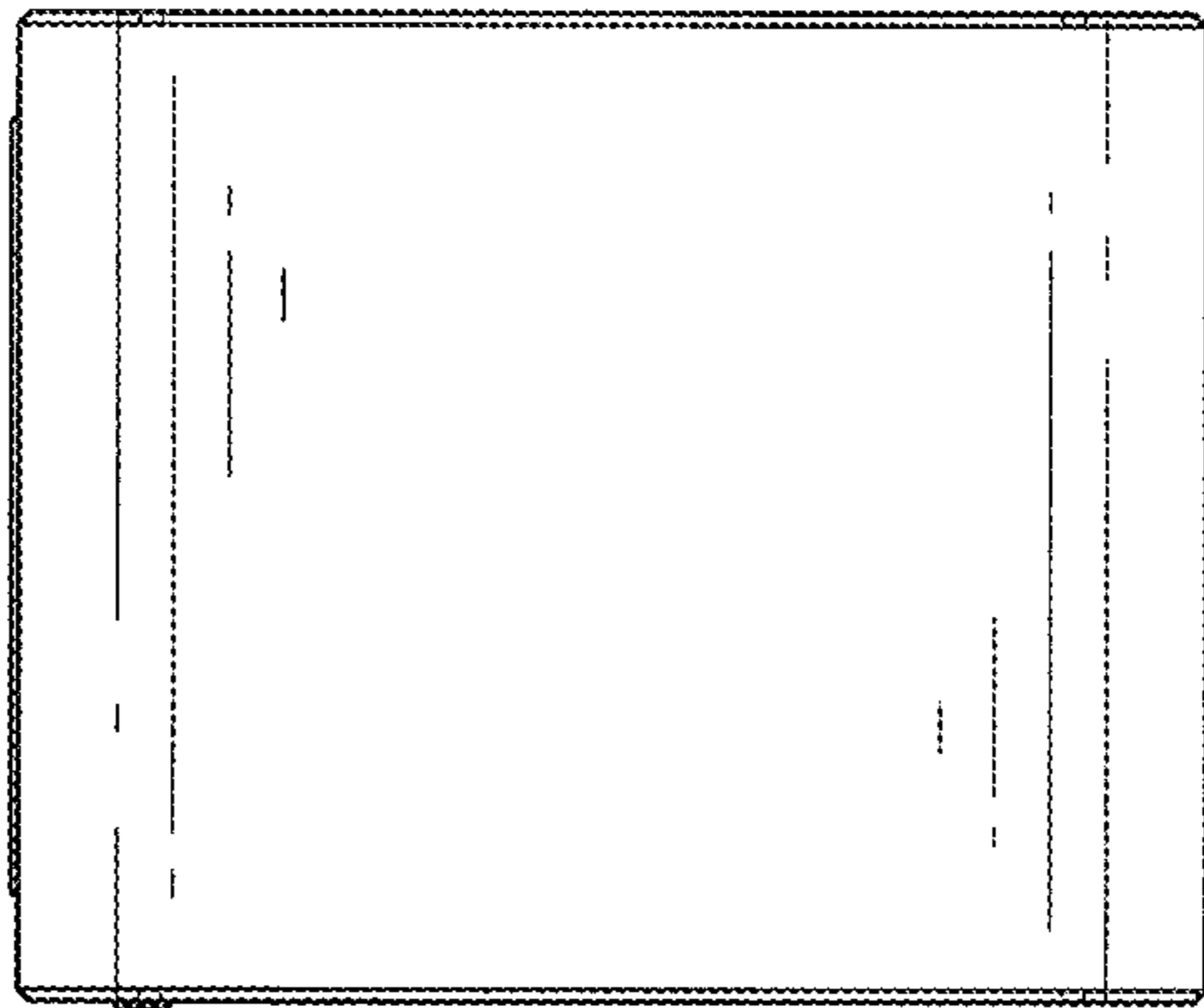


FIG. 5

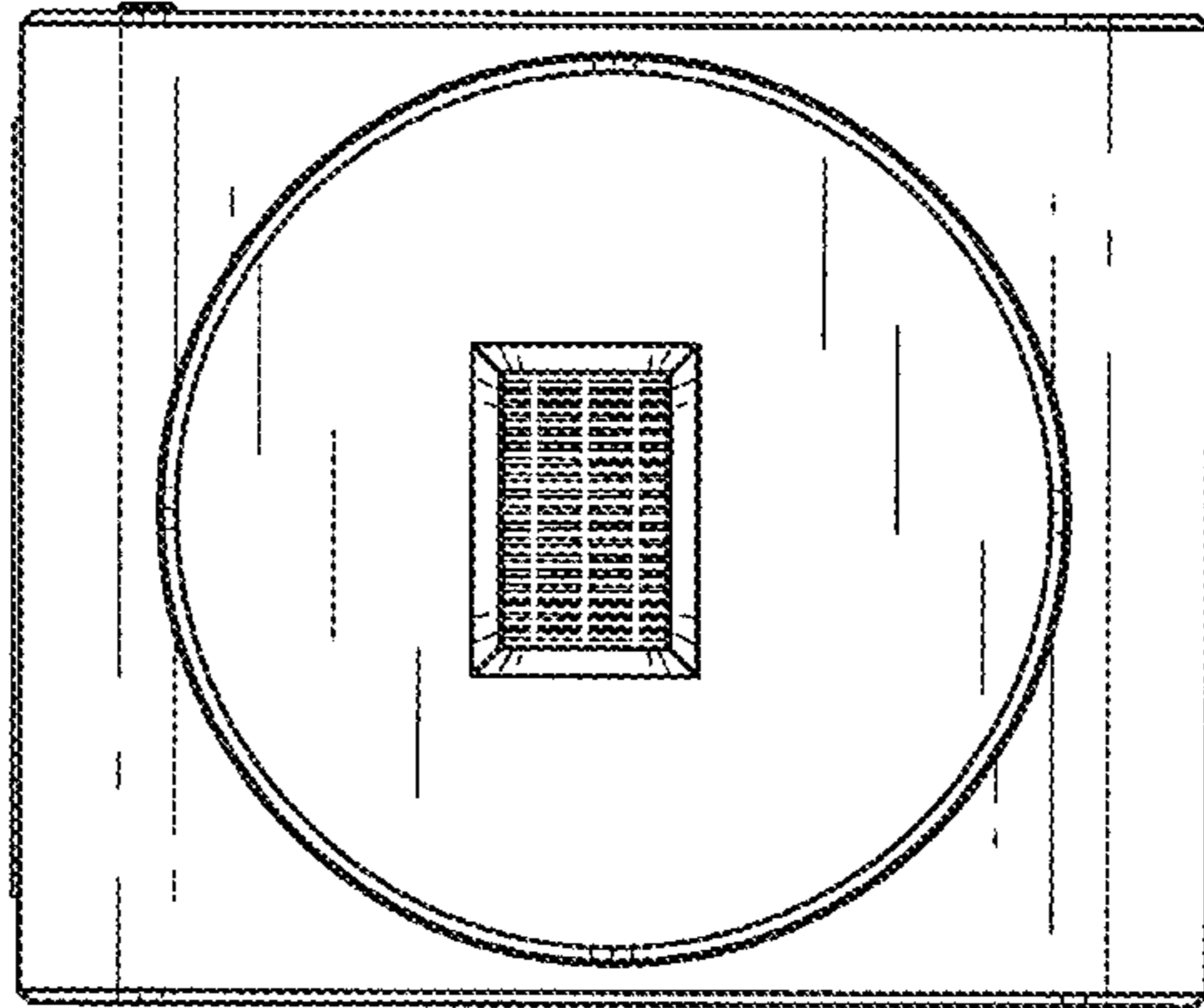


FIG. 6

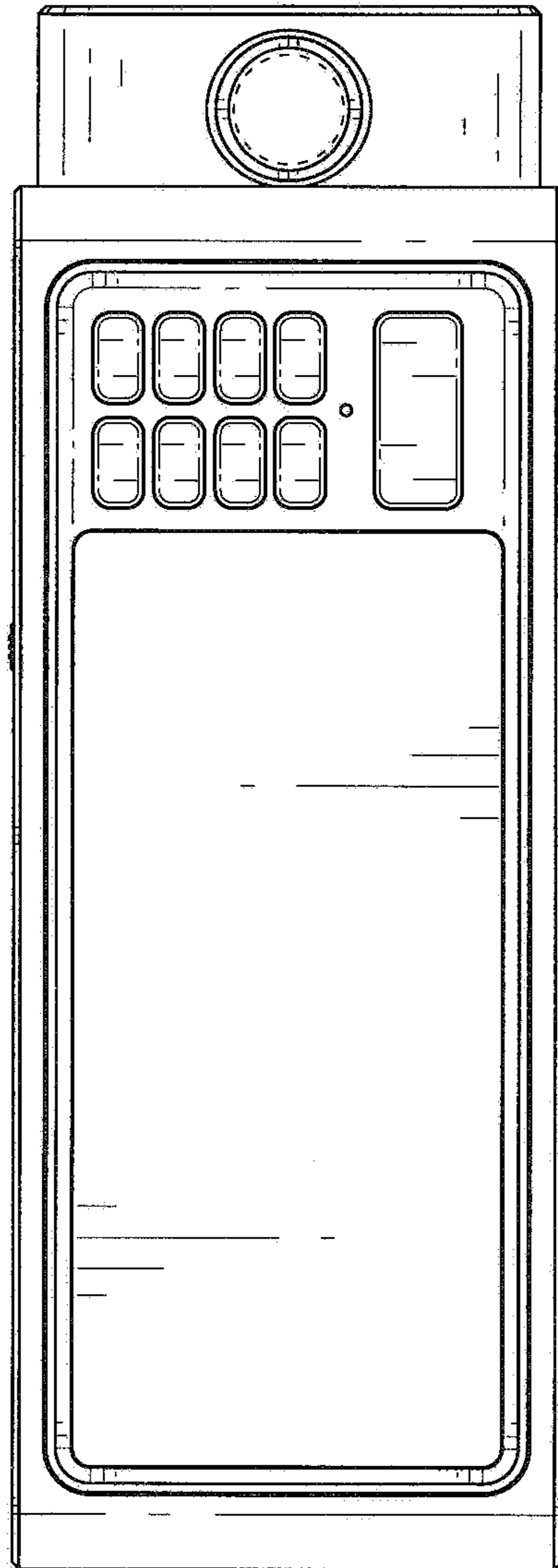


FIG. 7



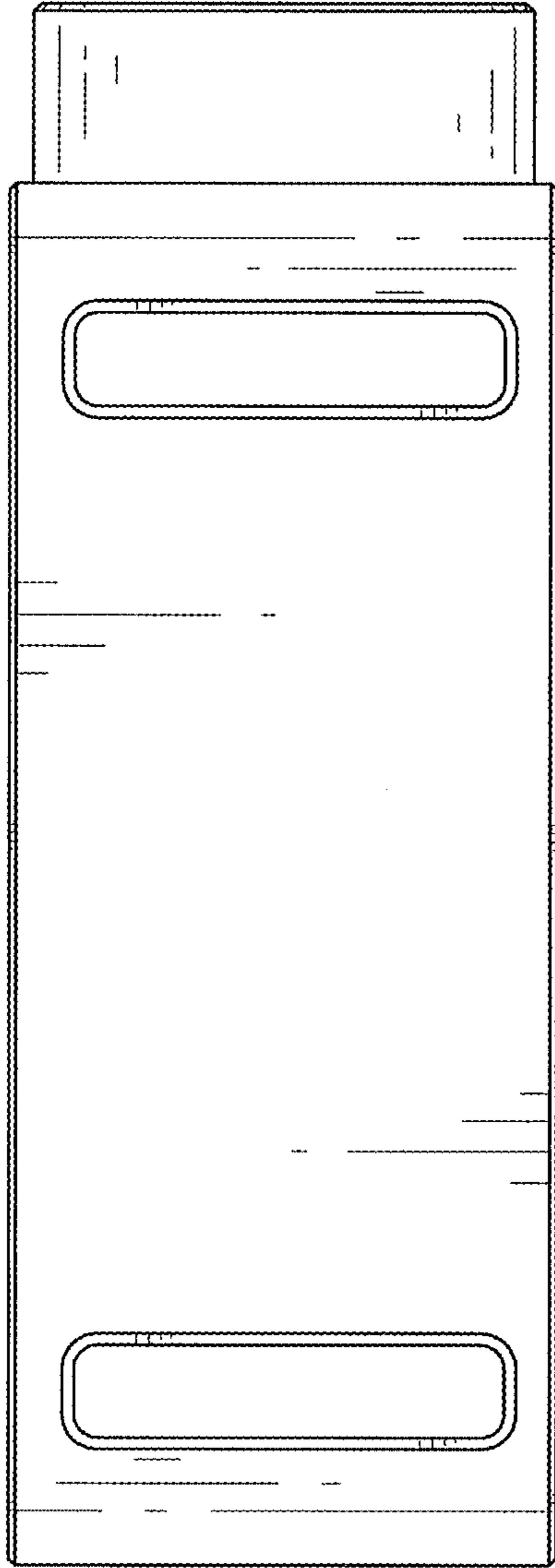


FIG. 8