



US00D888005S

(12) **United States Design Patent** (10) **Patent No.:** **US D888,005 S**  
**Gu** (45) **Date of Patent:** **\*\* Jun. 23, 2020**

(54) **SOUNDBAR**

(56) **References Cited**

(71) Applicant: **Xi Gu**, Leshan (CN)

U.S. PATENT DOCUMENTS

(72) Inventor: **Xi Gu**, Leshan (CN)

D182,794 S *	5/1958	Eames	.....	D14/214
D234,604 S *	3/1975	Shimizu	.....	D14/212
D546,813 S *	7/2007	Lewis	.....	D14/168
D571,356 S *	6/2008	Smith	.....	D14/168
D643,020 S *	8/2011	Zhang	.....	D14/214
D692,860 S *	11/2013	Paterson	.....	D14/214
D736,186 S *	8/2015	Kaupila	.....	D14/225
D755,155 S *	5/2016	Paterson	.....	D14/204
D826,206 S *	8/2018	Elmieh	.....	D14/204
D842,265 S *	3/2019	Becker	.....	D14/204
D851,620 S *	6/2019	Wang	.....	D14/204
D854,509 S *	7/2019	Wu	.....	D14/168
2018/0092230 A1 *	3/2018	Hsu	.....	H04R 1/1033

(73) Assignee: **Chengdu Starloop Technology Co., Ltd.**, Sichuan (CN)

(\*\*) Term: **15 Years**

(21) Appl. No.: **29/674,743**

(22) Filed: **Dec. 25, 2018**

(51) **LOC (12) Cl.** ..... **14-03**

(52) **U.S. Cl.**  
USPC ..... **D14/196**

(58) **Field of Classification Search**  
USPC ..... D14/167, 168, 170–172, 187, 188,  
D14/194–196, 204, 207, 209.1, 210–216,  
D14/219, 221, 222, 224, 239, 496;  
181/143, 144, 147, 148, 150, 153, 157,  
181/198, 199; 381/300–303, 306, 332,  
381/333, 336, 345, 361–364, 386–388;  
369/6–12

CPC ..... B60R 11/0217; G06F 1/1688; G10K 9/22;  
G10K 11/004; H03F 1/327; H04M 1/03;  
H04M 1/035; H04N 5/642; H04N  
21/4852; H04R 1/02; H04R 1/06; H04R  
1/021; H04R 1/025; H04R 1/026; H04R  
1/028; H04R 1/105; H04R 1/323; H04R  
1/403; H04R 1/2803; H04R 1/2834;  
H04R 5/02; H04R 7/20; H04R 9/06;  
H04R 9/025; H04R 2201/021; H04R  
2400/00; H04R 2400/07; H04R 2499/11;  
H04R 2499/13; H04R 2499/15; H04S  
3/00; H04S 7/30

See application file for complete search history.

\* cited by examiner

*Primary Examiner* — Katie Jane Stofko

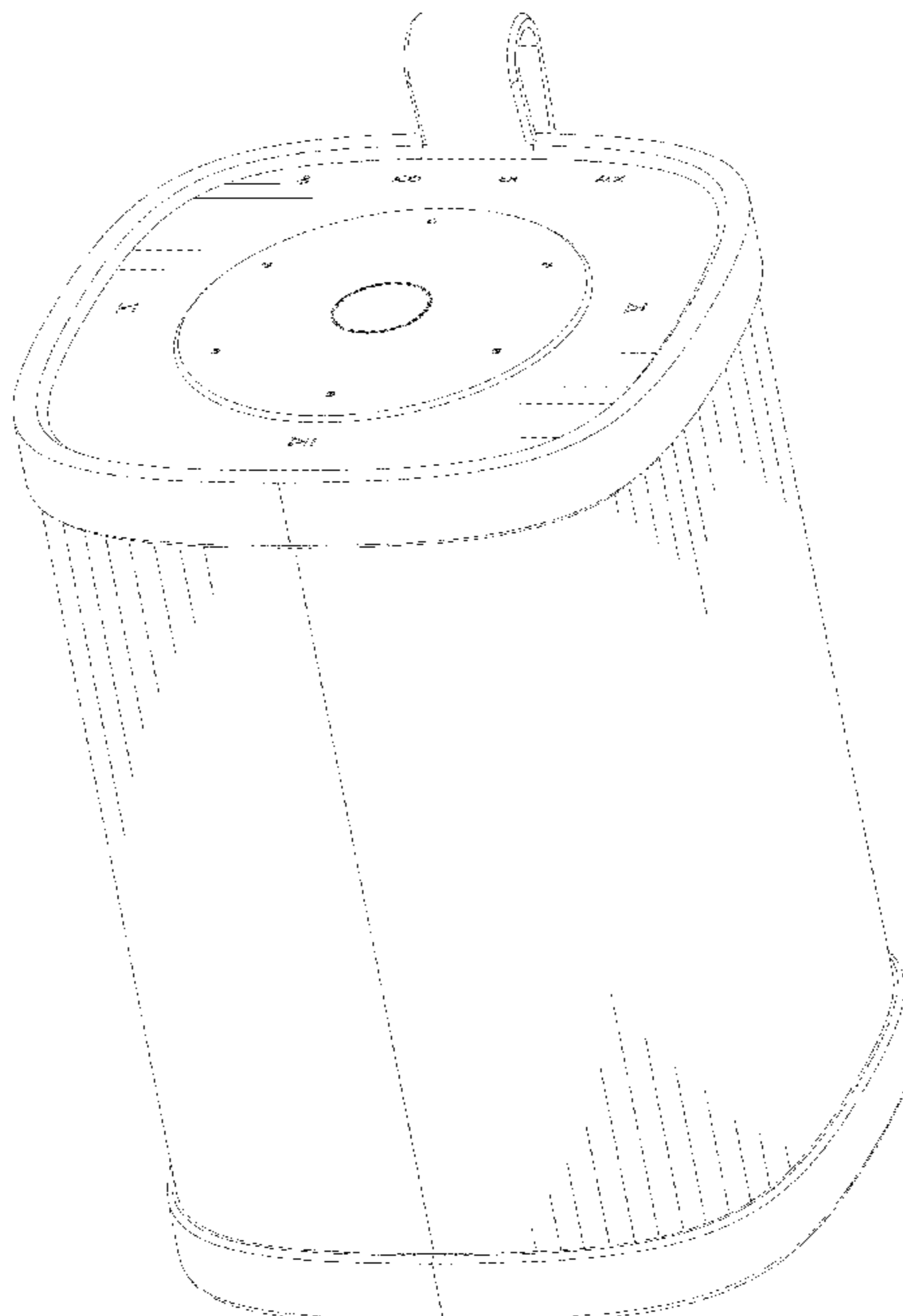
(57) **CLAIM**

The ornamental design for a soundbar, as shown and described.

**DESCRIPTION**

FIG. 1 is a perspective view of a soundbar showing my new design;  
FIG. 2 is a front elevational view thereof;  
FIG. 3 is a top plan view thereof;  
FIG. 4 is a left side elevational view thereof;  
FIG. 5 is a rear elevational view thereof;  
FIG. 6 is a right side view thereof; and,  
FIG. 7 is a bottom plan view thereof.  
The broken lines in FIGS. 2, 4, 5, 6 and 7 illustrate portions of the soundbar that form no part of the claimed design.

**1 Claim, 7 Drawing Sheets**



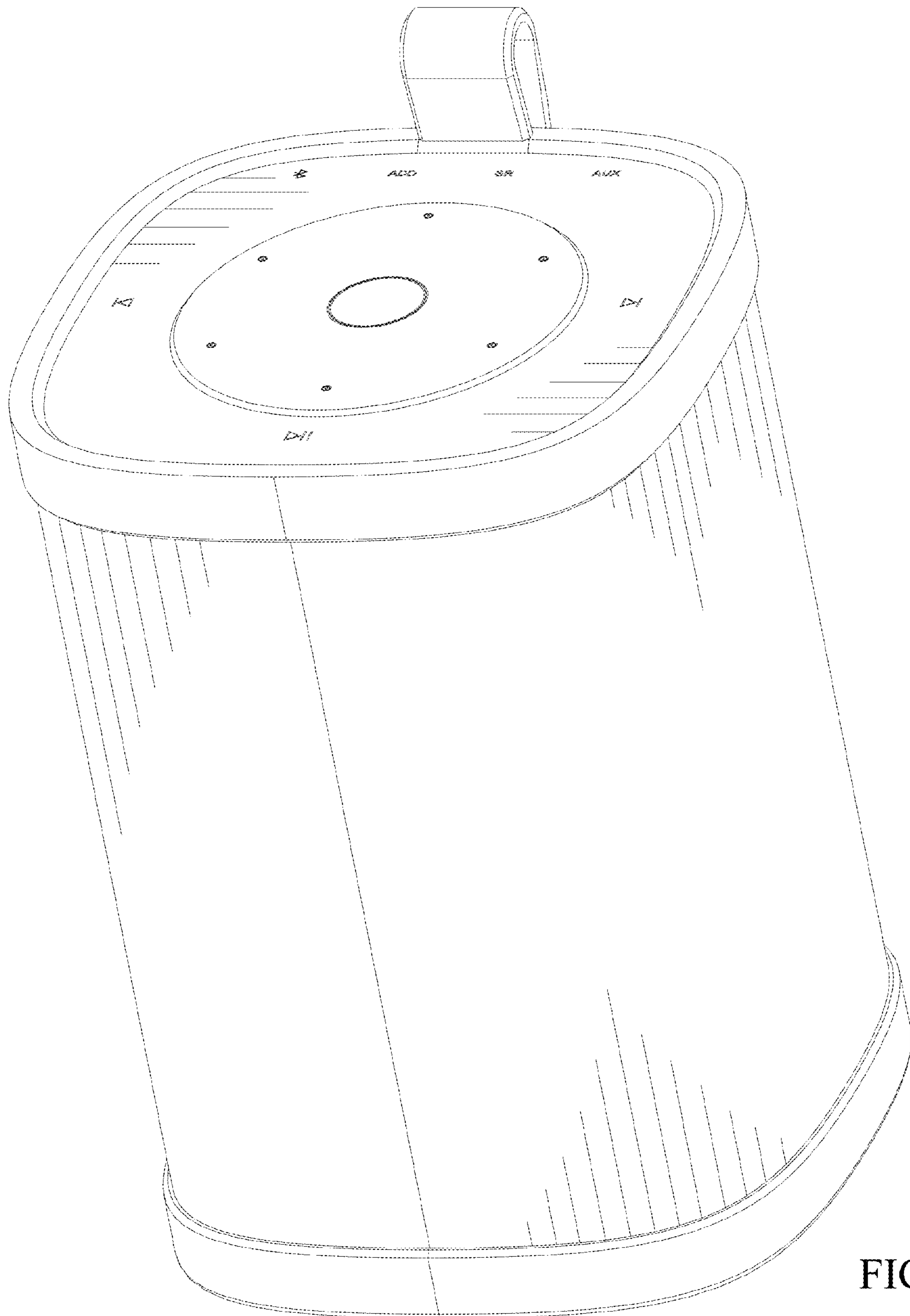


FIG. 1

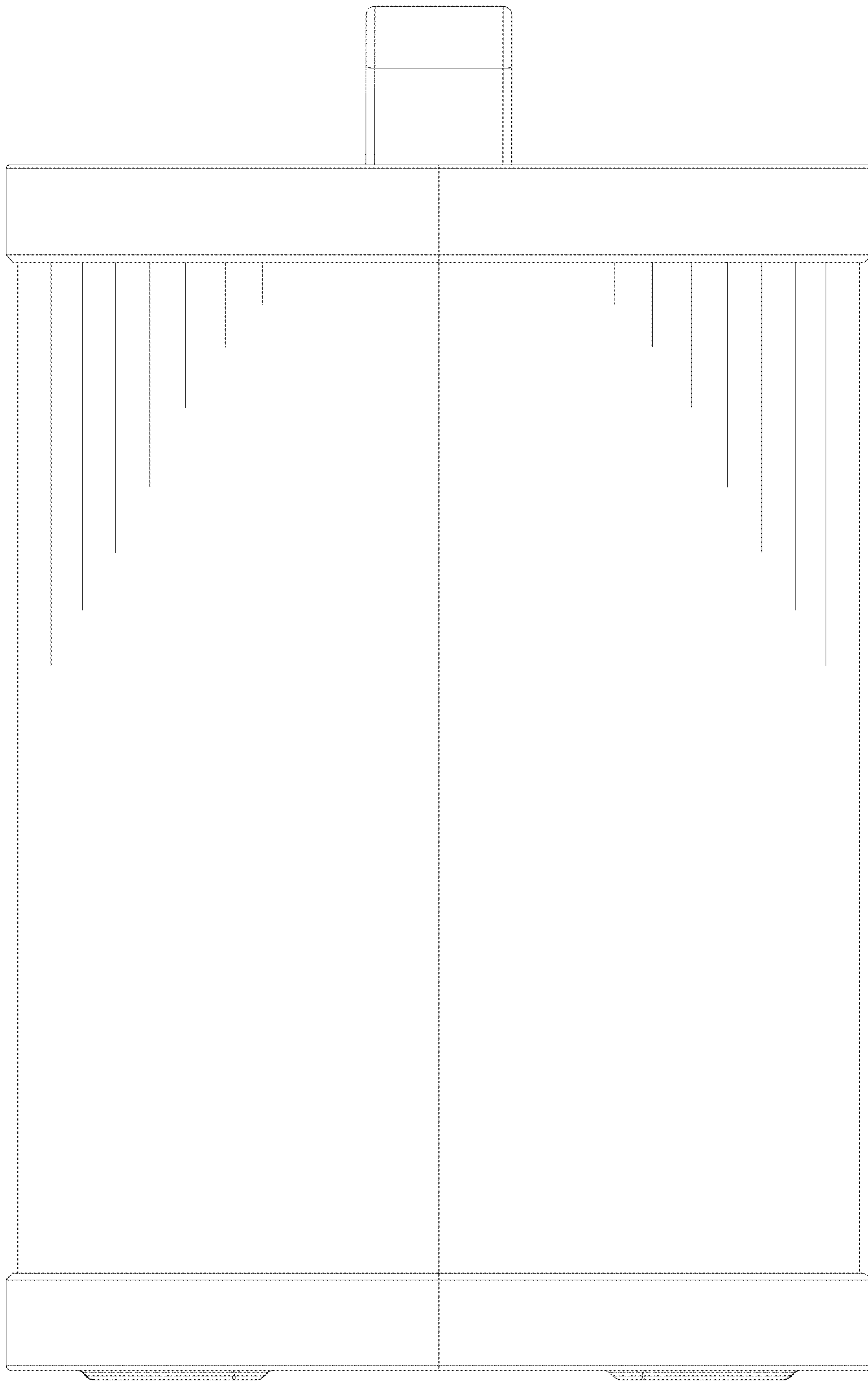


FIG. 2

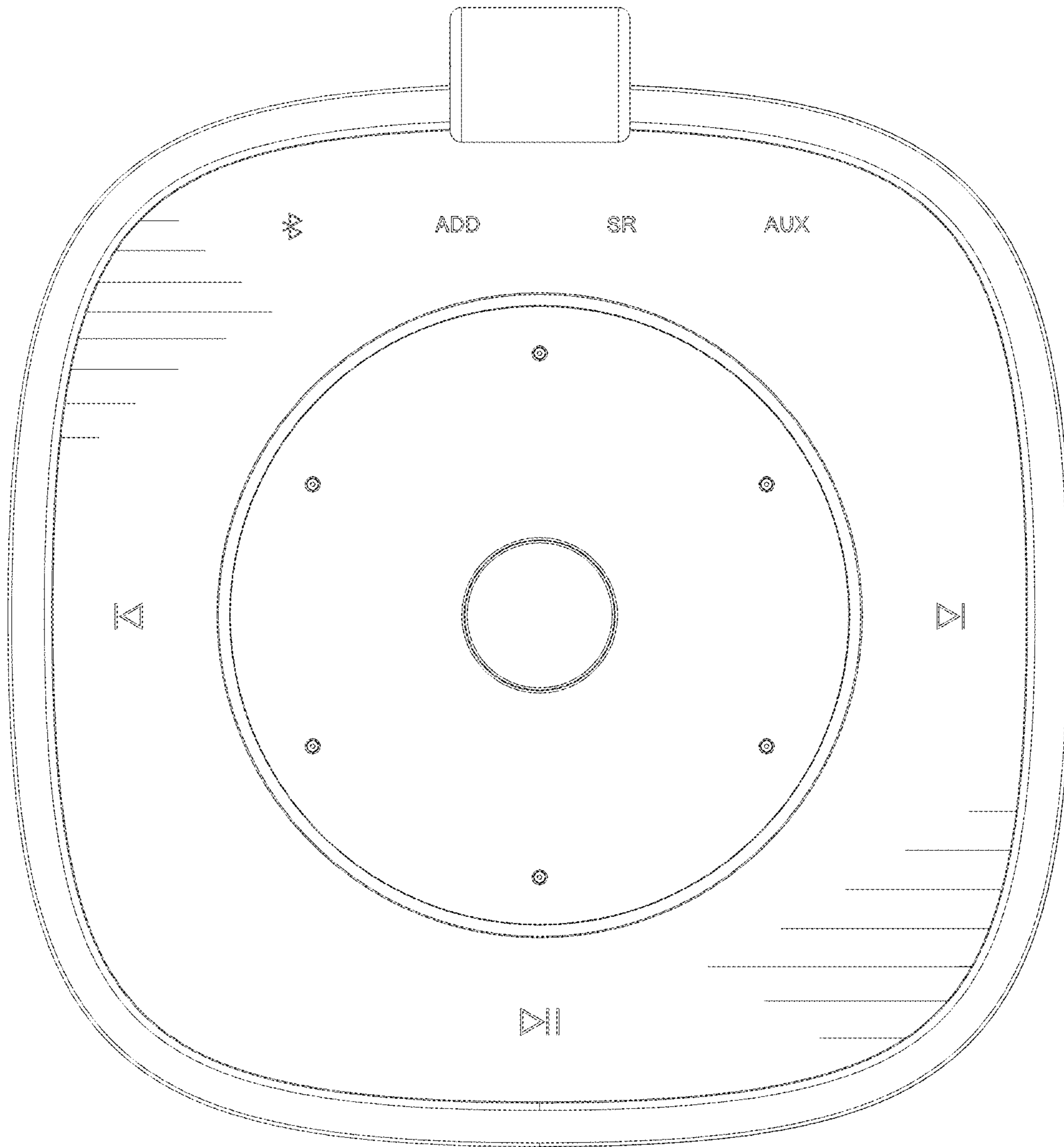


FIG. 3

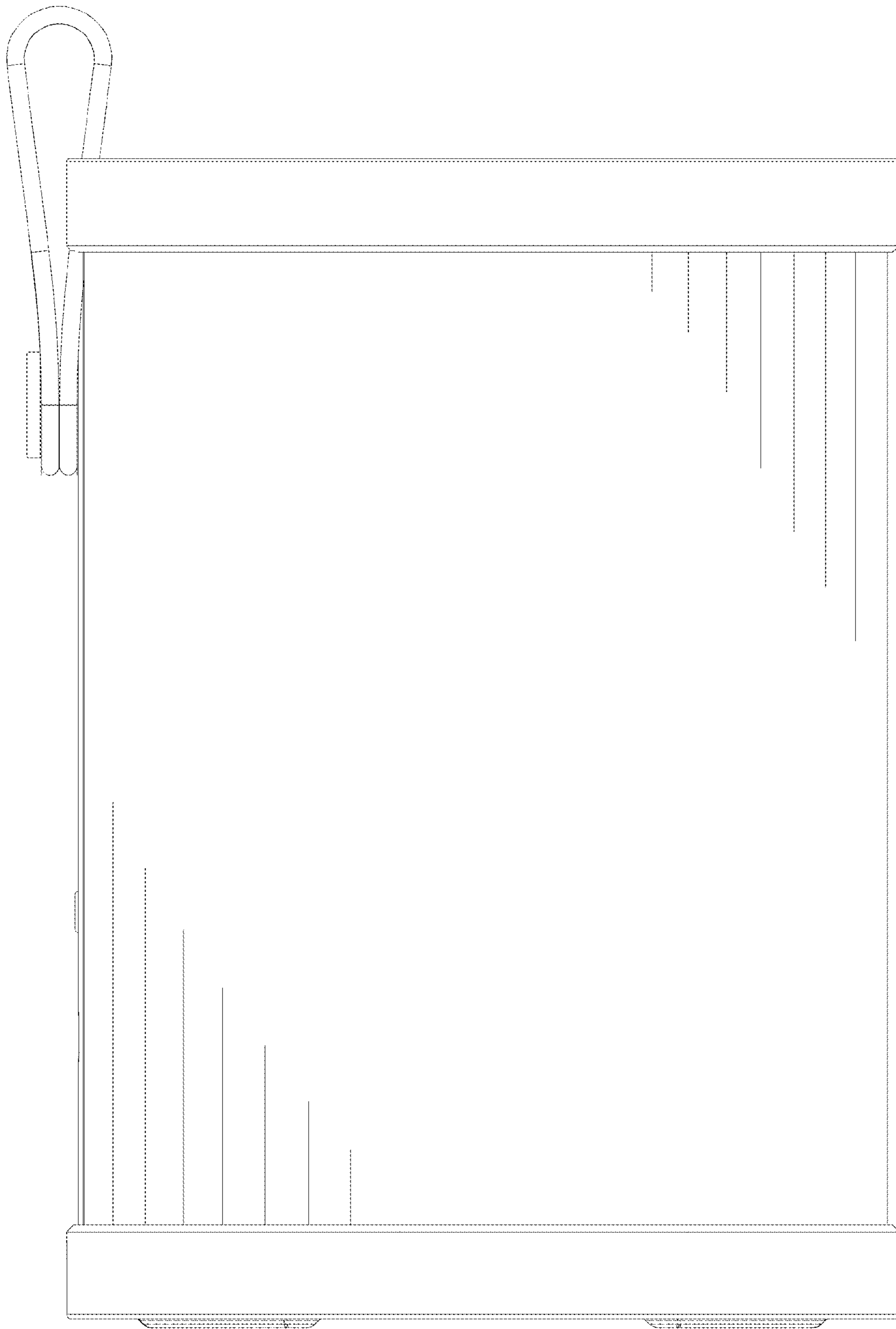


FIG. 4

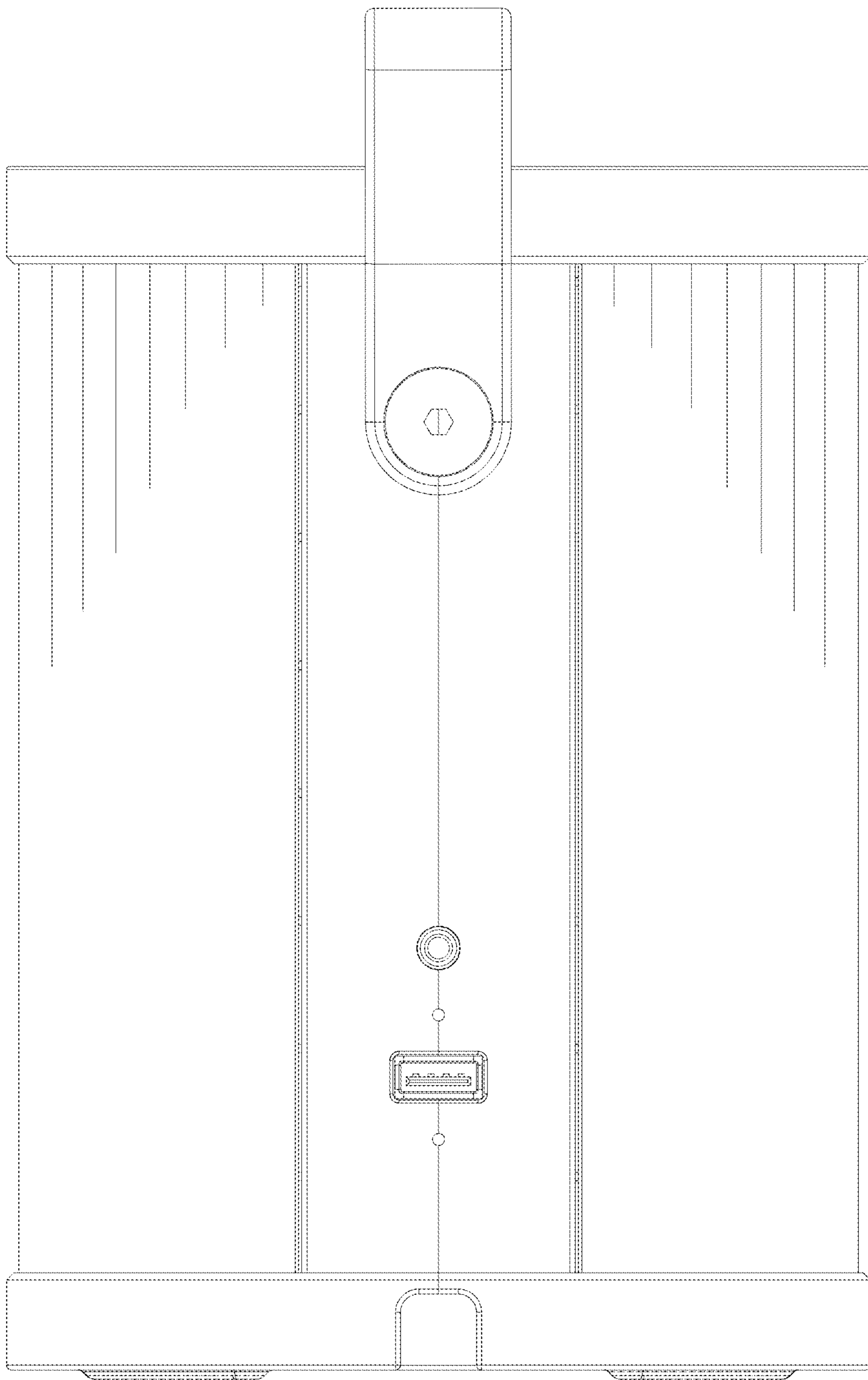


FIG. 5



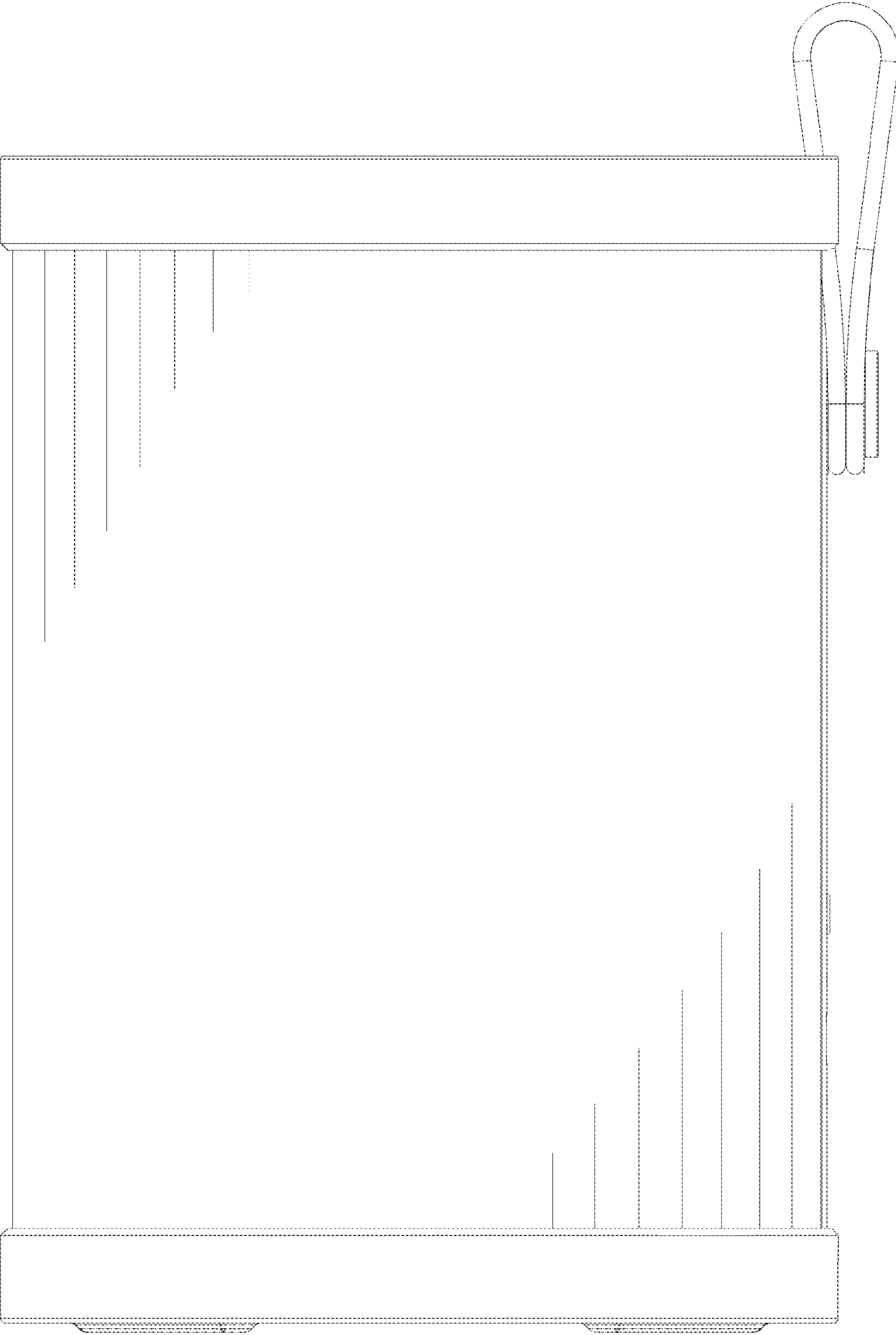


FIG. 6

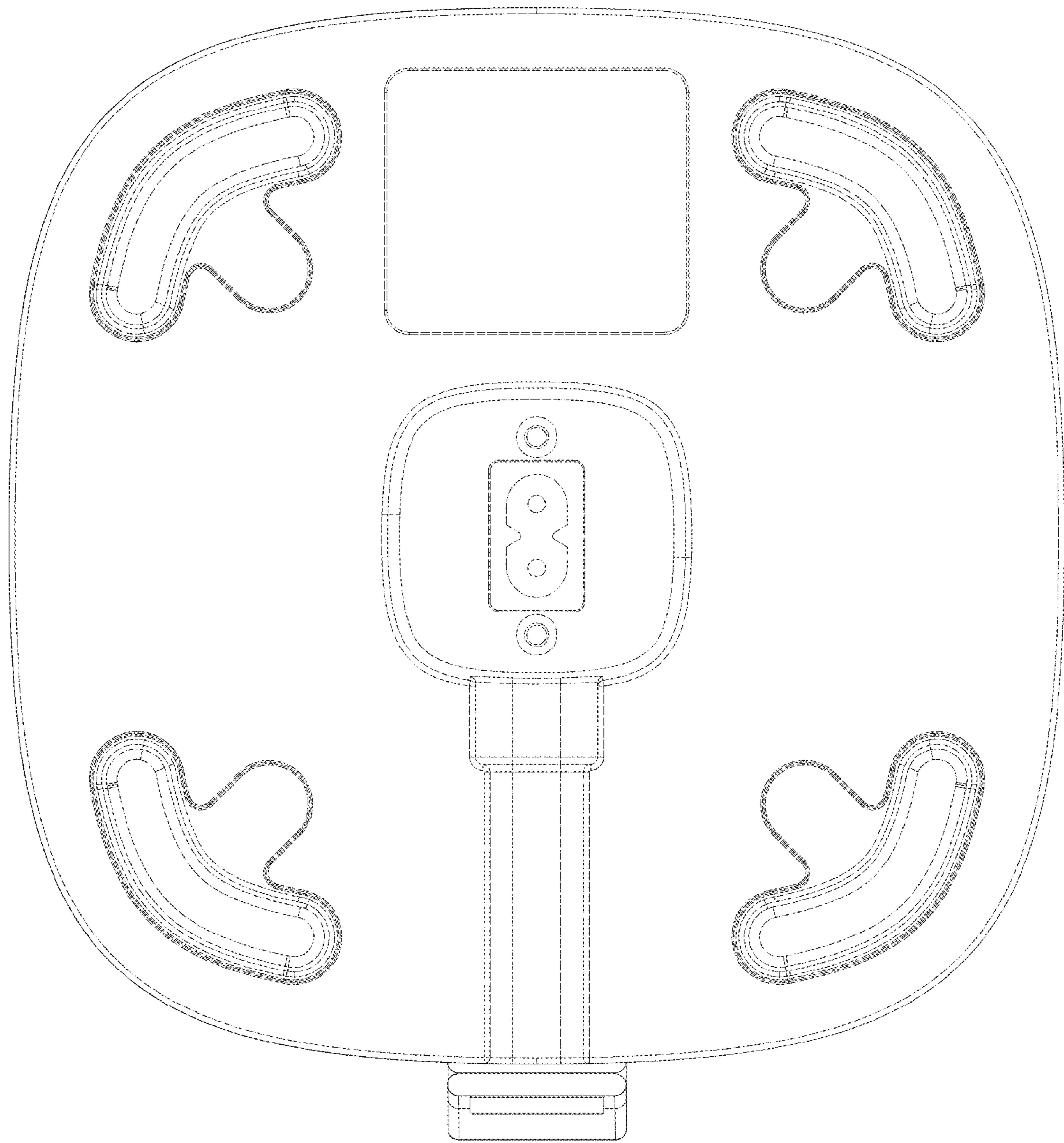


FIG. 7