



US00D888004S

(12) **United States Design Patent**
Tompson et al.

(10) **Patent No.:** **US D888,004 S**
(45) **Date of Patent:** **** Jun. 23, 2020**

(54) **RADIO CABLE SHROUD**

(71) Applicant: **ConcealFab Corporation**, Colorado Springs, CO (US)

(72) Inventors: **Carl Tompson**, Colorado Springs, CO (US); **Oliver Carson**, Colorado Springs, CO (US); **Amber Bartley**, Colorado Springs, CO (US); **Jonathan Morris**, Colorado Springs, CO (US)

(73) Assignee: **ConcealFab Corporation**, Colorado Springs, CO (US)

(**) Term: **15 Years**

(21) Appl. No.: **29/724,759**

(22) Filed: **Feb. 19, 2020**

(51) **LOC (12) Cl.** **14-03**

(52) **U.S. Cl.**

USPC **D14/140.6**; D13/184

(58) **Field of Classification Search**

USPC ... D14/137, 140, 140.1, 140.2, 140.3, 140.4, D14/140.5, 140.6, 142, 155, 168, 188, D14/217, 230, 238, 240, 242, 243, 251, D14/255, 299, 496, 356, 358, 236; D13/123, 152, 154, 156, 158, 160, 173, D13/177, 184, 199, 101, 110, 111, 112, D13/118, 122; D10/46, 75, 103, 104.1, D10/121, 106.1, 106.6, 106.3, 109.1, D10/109.2, 111, 114.1, 114.2, 114.6, D10/114.8

CPC H04W 88/005; H04M 1/03; H04M 1/04; H04M 1/15; H04B 1/38; H04B 1/3838; H04B 1/3888; H01Q 19/02; H01Q 19/021; H01Q 1/02; H01Q 1/12; H01Q 1/1228; H01Q 1/1242; H01Q 1/245; H01Q 1/246; H01Q 1/42

See application file for complete search history.

(56) **References Cited**

U.S. PATENT DOCUMENTS

D208,042 S * 7/1967 Jacoby D10/121
D208,552 S * 9/1967 Lehmer D13/184
3,482,253 A * 12/1969 Zucconi H01Q 1/42
343/834
D254,002 S * 1/1980 Schafer D13/184
D274,721 S * 7/1984 Smith D14/240

(Continued)

FOREIGN PATENT DOCUMENTS

BR 3020190034611 7/2019
WO 2019043046 A1 8/2018

OTHER PUBLICATIONS

5G Cable Shrouds (ConcealFab, Inc.) [online] 4 pgs. 2019. [retrieved Apr. 27, 2020]. <https://concealfab.com/product/5g-cable-shrouds/>.*

(Continued)

Primary Examiner — Marie D. Fast Horse

(74) *Attorney, Agent, or Firm* — Mehrman Law Office; Michael J. Mehrman

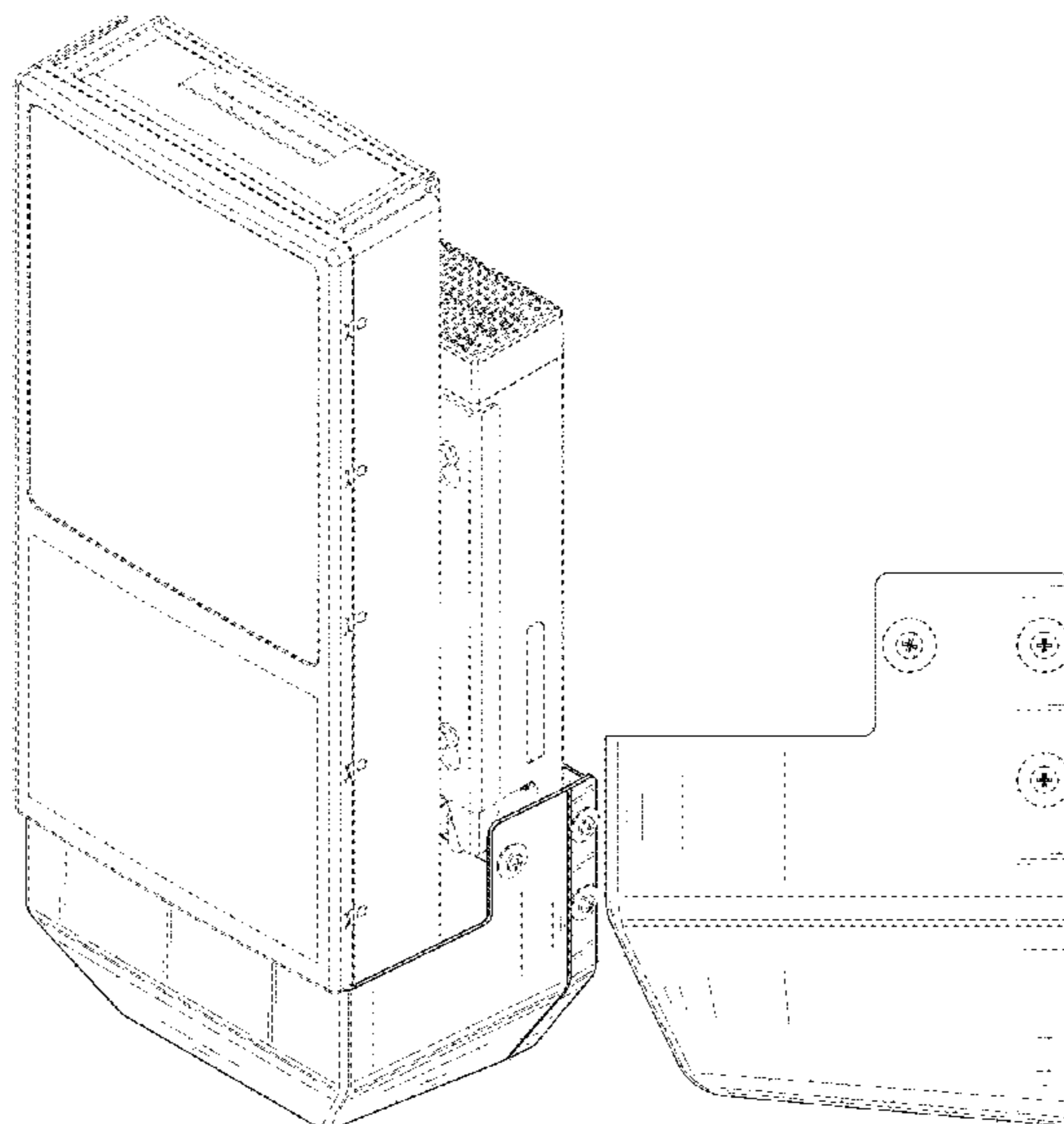
(57) **CLAIM**

The ornamental design for a radio cable shroud, as shown and described herein.

DESCRIPTION

FIG. 1 is a perspective view of a radio cable shroud, showing the new design in use with environmental structure; FIG. 2 is a front elevational view thereof; FIG. 3 is a rear elevational view thereof; FIG. 4 is a left side elevational view thereof; FIG. 5 is a right side elevational view thereof; FIG. 6 is a top view of thereof; and, FIG. 7 is a bottom view thereof. The broken lines in the drawings depict environmental structure that forms no part of the claim.

1 Claim, 7 Drawing Sheets



(56)

References Cited

U.S. PATENT DOCUMENTS

D297,136 S * 8/1988 Collins D13/184
 D299,130 S * 12/1988 Smith D13/184
 D299,465 S * 1/1989 Helstab D13/184
 D301,333 S * 5/1989 Bongard D13/156
 D303,656 S * 9/1989 Wong D13/156
 D304,339 S * 10/1989 Collins D14/140.6
 D305,334 S * 1/1990 Marr D14/230
 D306,733 S * 3/1990 Hebditch 379/457
 D324,204 S * 2/1992 Wright D13/154
 D325,570 S * 4/1992 Jones D10/121
 D334,937 S * 4/1993 Kerr D13/184
 D336,293 S * 6/1993 Morano D14/140
 D339,809 S * 9/1993 Ron D13/108
 D342,250 S * 12/1993 Beaumont D13/184
 D345,145 S * 3/1994 Fogg D13/184
 D345,933 S * 4/1994 Joyce, Jr. D10/109.1
 D351,170 S * 10/1994 Hanlon D14/240
 D357,762 S * 4/1995 Douglas D10/104.1
 D358,370 S * 5/1995 Guppy D13/184
 D377,339 S * 1/1997 Beruscha D14/242
 D377,652 S * 1/1997 Sarkiniemi D13/184
 5,619,217 A * 4/1997 Mailandt H01Q 1/42
 343/872
 D389,270 S * 1/1998 Malmsten D12/182
 D390,536 S * 2/1998 Austin D13/156
 D394,041 S * 5/1998 Priester D13/123
 D394,124 S * 5/1998 Mackert D10/104.1
 D398,611 S 9/1998 Read
 D400,889 S * 11/1998 Heiligenstein D14/230
 D407,384 S * 3/1999 Badgio D13/156
 D408,369 S * 4/1999 Belinky D13/184
 D420,300 S * 2/2000 George D10/103
 D422,283 S * 4/2000 Fennelly D14/240
 D429,720 S 8/2000 Strand
 D430,865 S * 9/2000 Cosley D13/184
 D431,230 S * 9/2000 Began D13/184
 D434,339 S * 11/2000 Siller D10/106.1
 D434,736 S * 12/2000 Jacks D13/184
 D436,091 S * 1/2001 Anderson D14/146
 D436,585 S * 1/2001 Nuk D14/155
 6,304,221 B1 * 10/2001 Brown H01Q 1/12
 224/197
 D450,686 S * 11/2001 Beaumont D13/184
 D458,172 S * 6/2002 Salbashian, Sr. D10/99
 D462,675 S * 9/2002 Kusz D14/140.6
 D478,558 S * 8/2003 Sparks D13/184
 D482,665 S * 11/2003 Bailey D13/182
 D483,748 S * 12/2003 Alviar D14/240
 D489,041 S * 4/2004 Chen D13/184
 D498,211 S * 11/2004 Thibault D13/155
 6,944,011 B2 * 9/2005 Krajecki H05K 5/0217
 211/126.15
 D512,050 S * 11/2005 Verding D14/240
 D524,800 S * 7/2006 Burzynski D14/188
 D526,968 S * 8/2006 Castaldo D13/184
 D536,670 S * 2/2007 Mahoney D13/151

D543,514 S * 5/2007 Katz D13/184
 D553,586 S * 10/2007 Devenish, III D13/184
 D618,326 S * 6/2010 Galjaardt D23/322
 D620,898 S * 8/2010 Wang G02B 6/4441
 D13/184
 D620,899 S * 8/2010 Wang D13/184
 7,782,268 B2 8/2010 Carroll et al.
 D631,448 S * 1/2011 Wang G02B 6/4441
 D13/184
 D631,859 S * 2/2011 Wang D13/184
 D653,975 S * 2/2012 Anderson D10/103
 8,228,255 B2 * 7/2012 Mao H01Q 1/526
 343/841
 D697,900 S 1/2014 Yang et al.
 8,786,514 B2 * 7/2014 Dickie H01Q 1/42
 343/720
 9,099,860 B2 8/2015 Martinez et al.
 D741,285 S * 10/2015 Boynton D14/188
 9,172,421 B2 * 10/2015 Colapietro H01Q 1/1228
 D751,610 S 3/2016 Serrurier et al.
 D759,637 S * 6/2016 Maxam D14/358
 D768,608 S * 10/2016 Moon D14/240
 D790,548 S * 6/2017 Buel D14/240
 9,685,713 B2 6/2017 Takahashi
 D805,503 S 12/2017 Corp et al.
 10,103,421 B1 * 10/2018 Alexander H04W 88/08
 D832,727 S * 11/2018 Rozgonyi D13/156
 10,135,130 B1 * 11/2018 Bouchard H01Q 1/42
 D842,280 S * 3/2019 Montgomery D14/230
 D843,329 S * 3/2019 Baldwin D13/155
 D844,573 S 4/2019 Hoffknecht et al.
 D862,433 S * 10/2019 Song D14/240
 10,476,138 B2 * 11/2019 Gonsowski H01Q 1/1228
 D871,382 S * 12/2019 Kwak D14/240
 D871,384 S * 12/2019 Lim D14/240
 D872,068 S * 1/2020 Lim D14/240
 D880,444 S * 4/2020 Bembridge D14/140.6
 2002/0108771 A1 * 8/2002 Fu-Chung H02G 3/30
 174/117 F
 2015/0371571 A1 * 12/2015 Hager H04W 88/08
 348/552
 2018/0108978 A1 * 4/2018 Gonsowski H01Q 1/1228
 2019/0080826 A1 3/2019 Kamensek et al.
 2019/0140347 A1 * 5/2019 Bouchard H01Q 1/1228

OTHER PUBLICATIONS

Cell RRUS-32 Assem 10 updated. [online] 2 pgs. [retrieved Apr. 28, 2020] https://4fb81198-d1b8-41e2-982c-d9ca548110de.filesusr.com/ugd/bd8659_4c9b2cd2afcf4dcd8de739c7b0e726f6.pdf.
 COMMSCOPE, DC Surge Protection for 12 Remote RRH/ Integrated Antenna, Talley Inc.
 Arlington, Paving the Way for Faster Mobile Speeds in Arlington, Jun. 26, 2019, Virginia.
 Raycap, Small Cell Concealments Product Guide 2020, Oct. 25, 2019 (accessed).
 Raycap, 5G Radio Shroud, Oct. 25, 2019 (accessed).

* cited by examiner

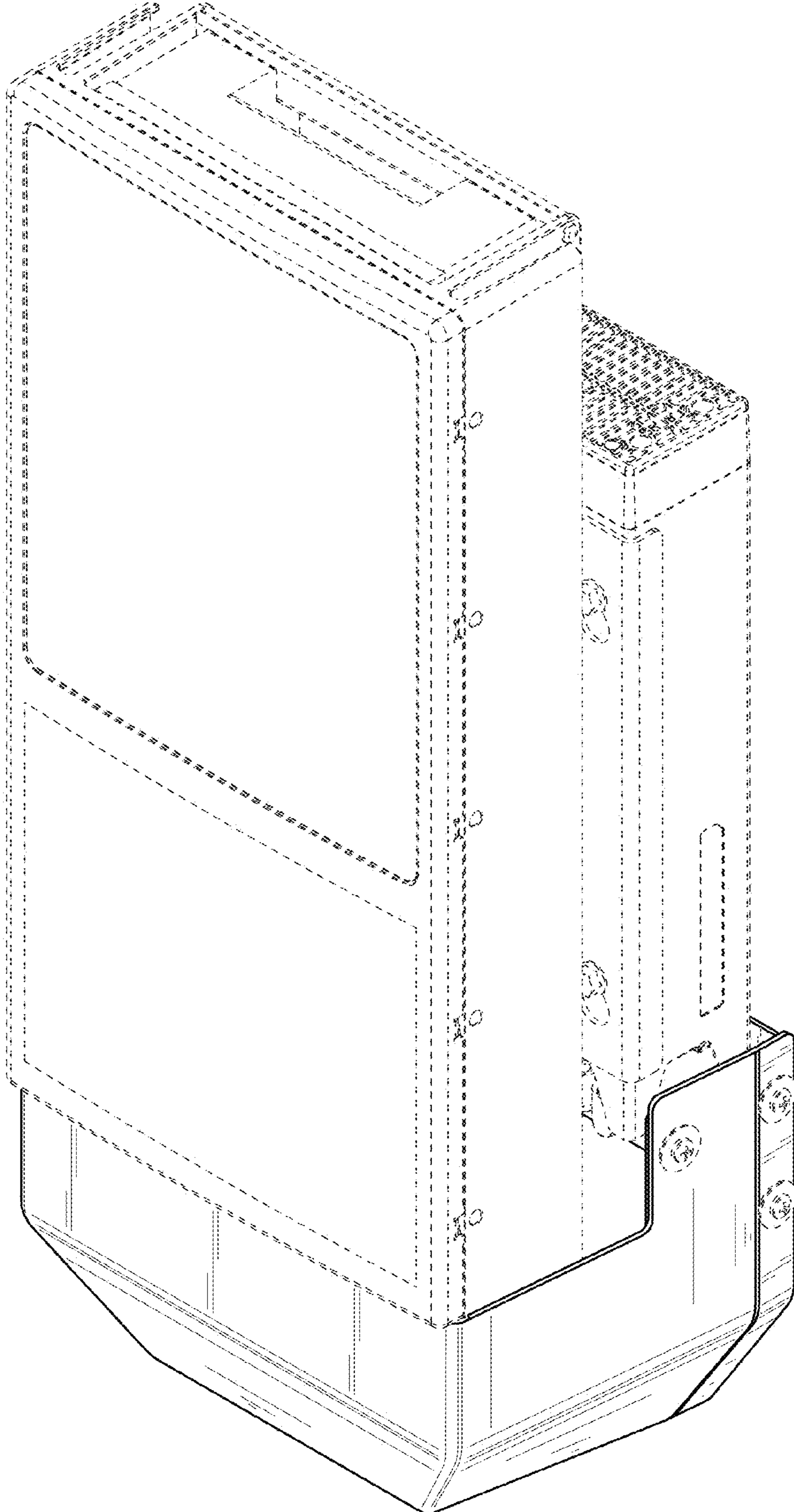


FIG. 1

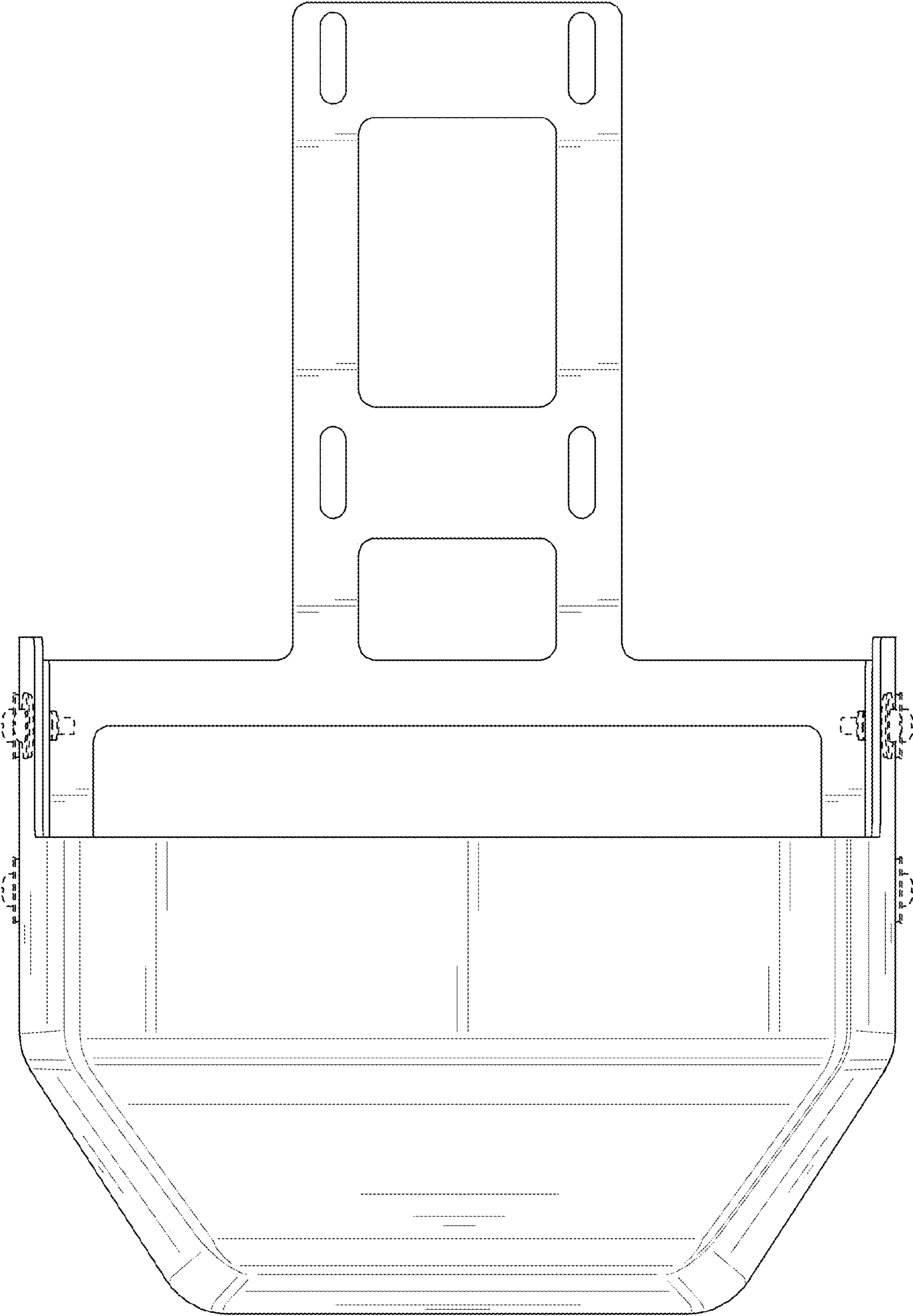


FIG. 2

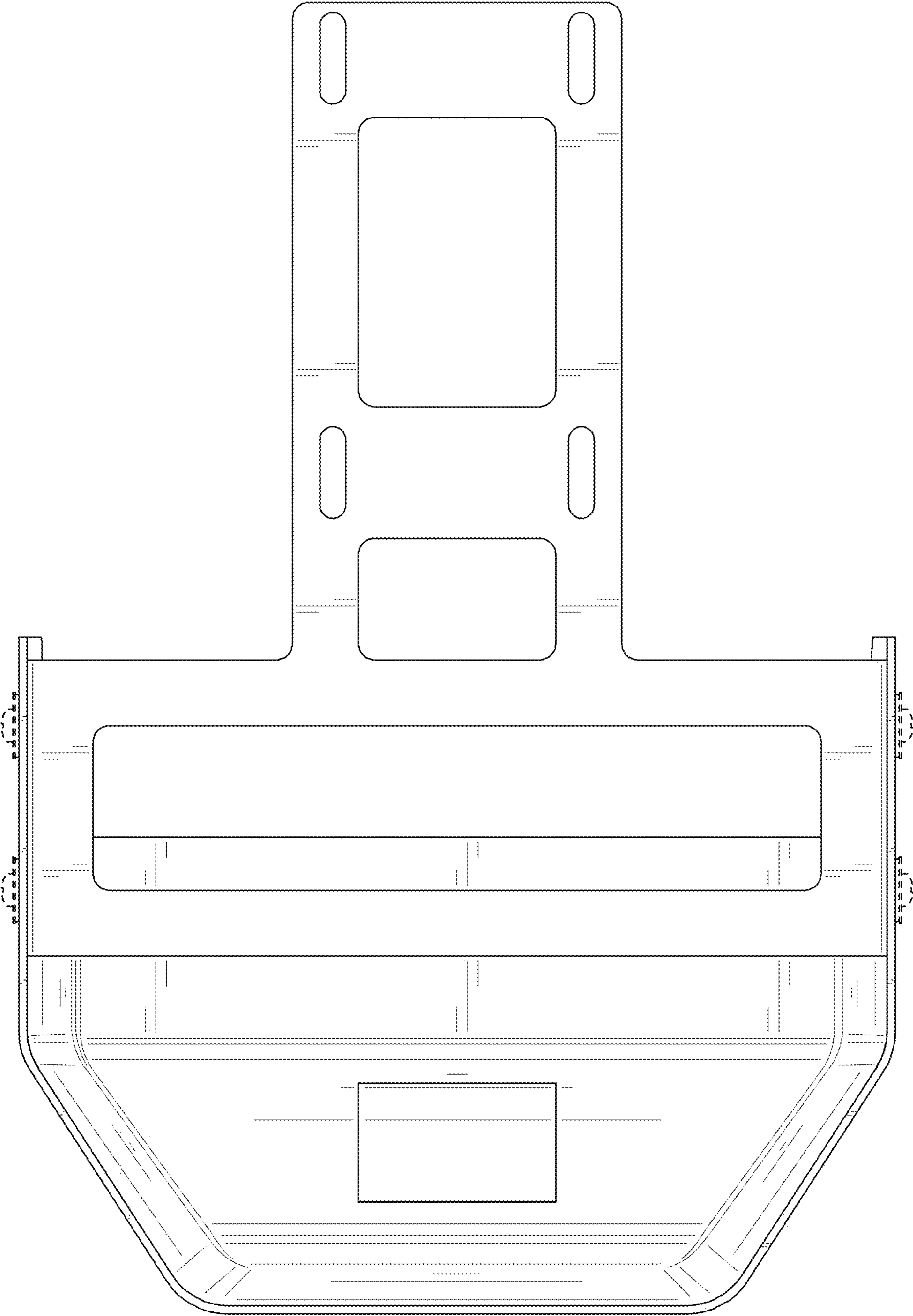


FIG. 3

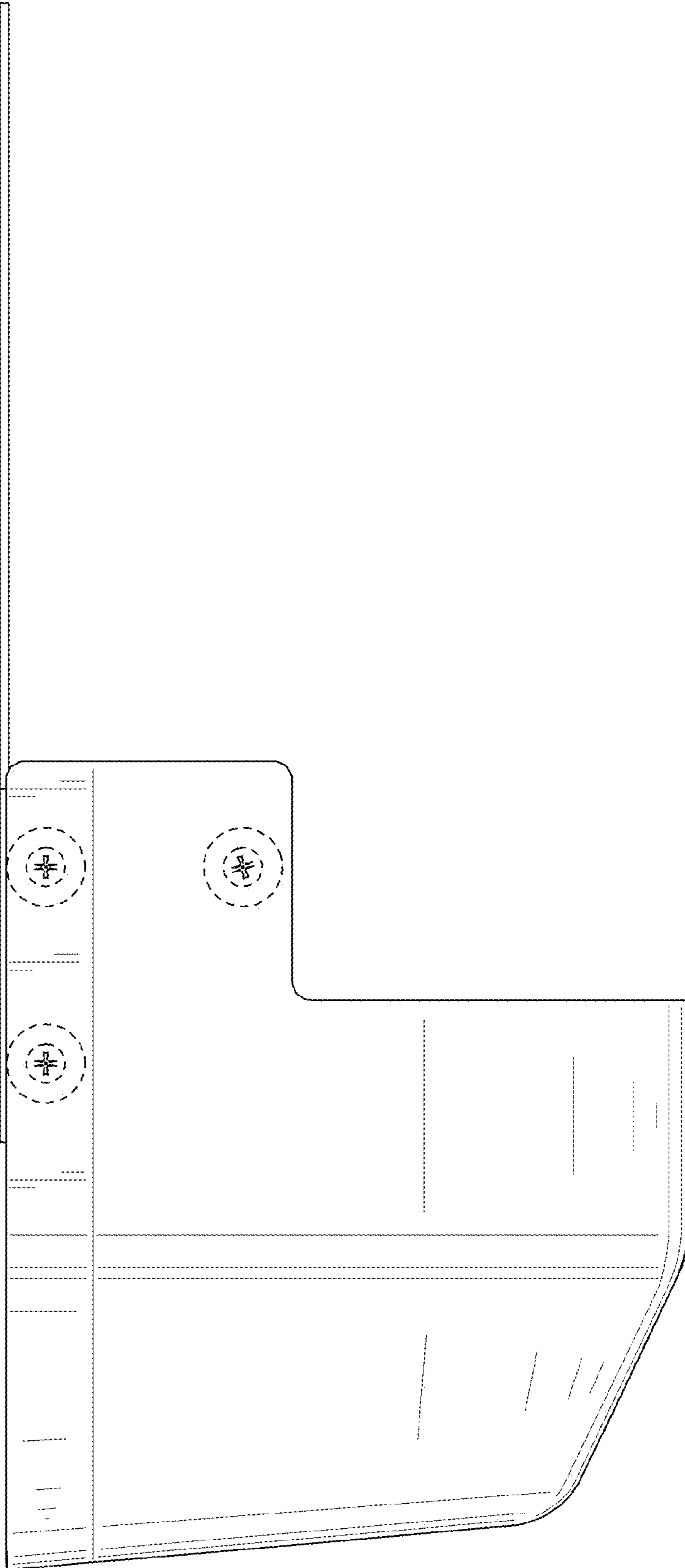


FIG. 4

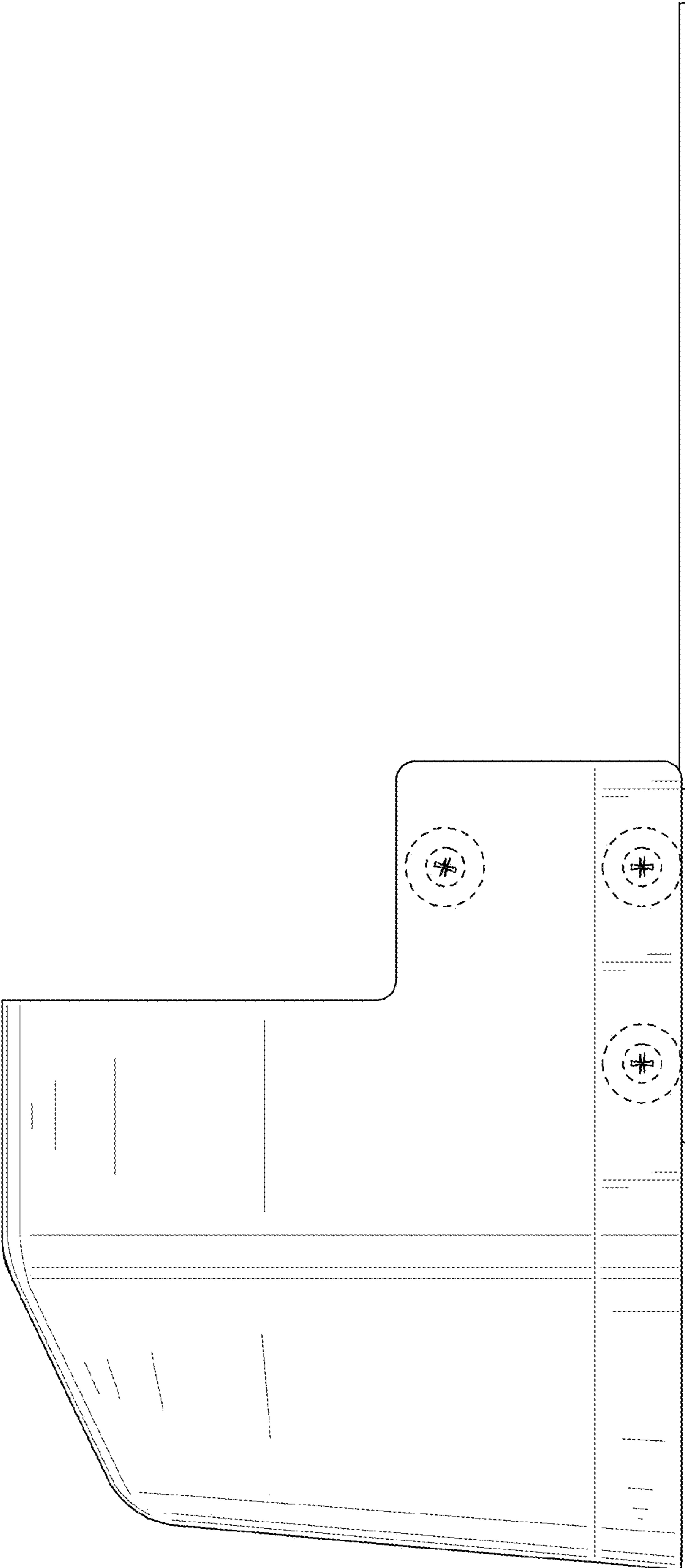


FIG. 5

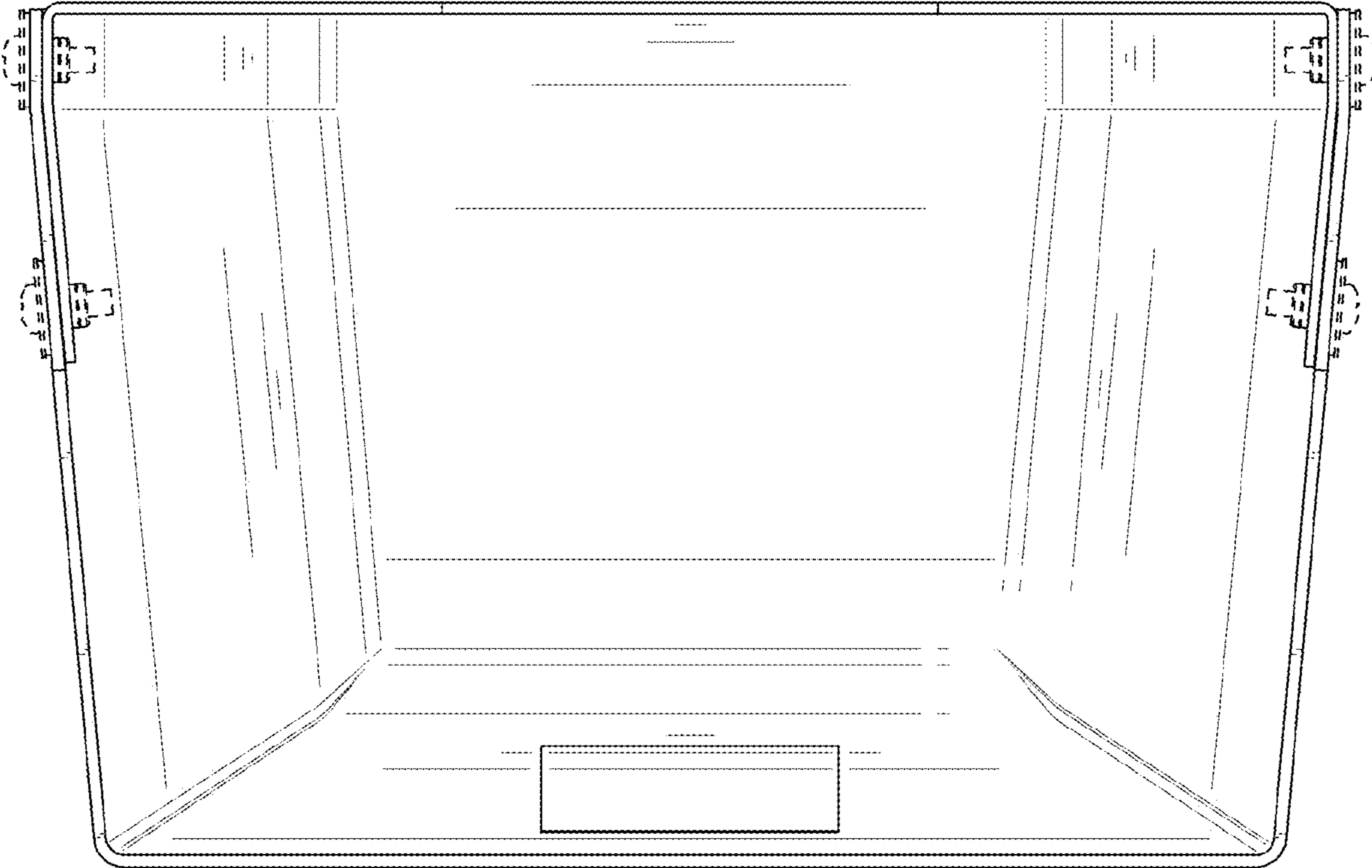


FIG. 6

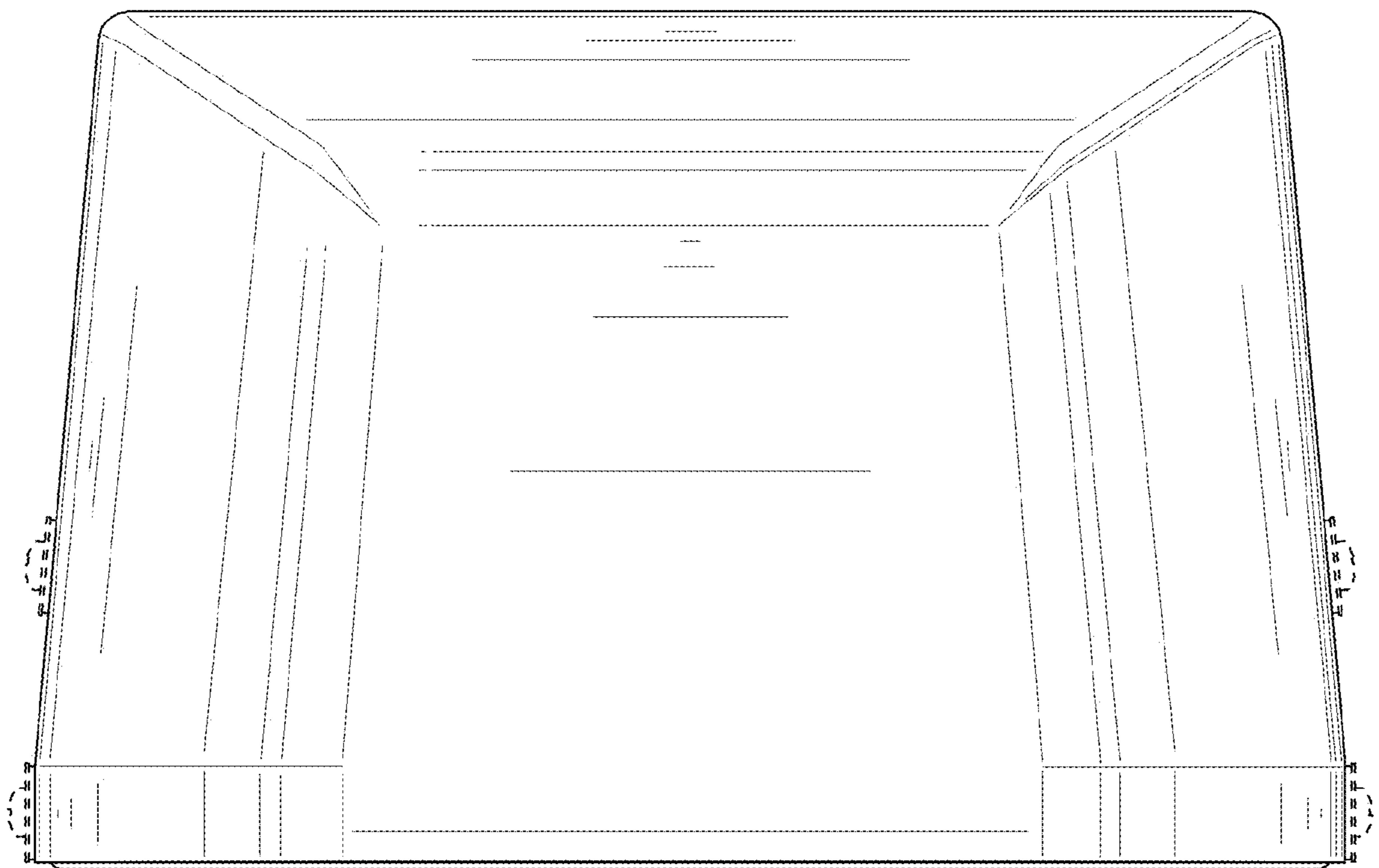


FIG. 7