



US00D888002S

(12) **United States Design Patent**
Tsujita

(10) **Patent No.:** **US D888,002 S**
(45) **Date of Patent:** **** Jun. 23, 2020**

(54) **TELEVISION RECEIVER**

(71) Applicant: **SONY CORPORATION**, Tokyo (JP)

(72) Inventor: **Yusuke Tsujita**, Kanagawa (JP)

(73) Assignee: **SONY CORPORATION**, Tokyo (JP)

(**) Term: **15 Years**

(21) Appl. No.: **29/641,022**

(22) Filed: **Mar. 19, 2018**

(30) **Foreign Application Priority Data**

Dec. 28, 2017 (JP) D2017-029619

(51) **LOC (12) Cl.** **14-03**

(52) **U.S. Cl.**
USPC **D14/126**

(58) **Field of Classification Search**

USPC D14/371, 373-377, 382, 451, 239, 125,
D14/127, 129, 204, 210, 138 G, 138 AB,
D14/126, 341, 374, 334-337; D6/708,
D6/708.16, 300, 308, 310-313, 691.6;
D8/349, 354, 363, 373, 376, 380

CPC H04N 5/64; H04N 5/655; H05K 5/0017;
H05K 5/0234; G06F 1/1601; G06F 1/166;
G06F 2200/1612; G06F 2200/1631; G06F
1/1628

See application file for complete search history.

(56) **References Cited**

U.S. PATENT DOCUMENTS

D460,056 S 7/2002 Niitsu
D468,134 S 1/2003 Oikawa

D536,311 S * 2/2007 Park D14/126
D545,278 S 6/2007 Niitsu
D555,119 S * 11/2007 Shih D14/126
D566,072 S * 4/2008 Yamaguchi D14/126
D584,729 S * 1/2009 Kim D14/374
D585,401 S 1/2009 Otani
D629,374 S 12/2010 Fujii et al.
D679,670 S * 4/2013 Takami D14/126
D769,204 S * 10/2016 Kim D14/126
D772,187 S * 11/2016 Woo D14/126
D826,792 S * 8/2018 Kim D12/126
D835,059 S * 12/2018 Kim D14/126
D836,584 S * 12/2018 Kim D14/126

* cited by examiner

Primary Examiner — Brett Miller

(74) *Attorney, Agent, or Firm* — Michael Best and Friedrich LLP

(57) **CLAIM**

The ornamental design for a television receiver, as shown.

DESCRIPTION

FIG. 1 is a perspective view of a television receiver showing my new design;

FIG. 2 is a front elevational view thereof;

FIG. 3 is a rear elevational view thereof;

FIG. 4 is a left side elevational view thereof;

FIG. 5 is a right side elevational view thereof;

FIG. 6 is a top plan view thereof; and,

FIG. 7 is a bottom plan view thereof.

The broken lines depict portions of the television receiver that form no part of the claimed design.

1 Claim, 5 Drawing Sheets

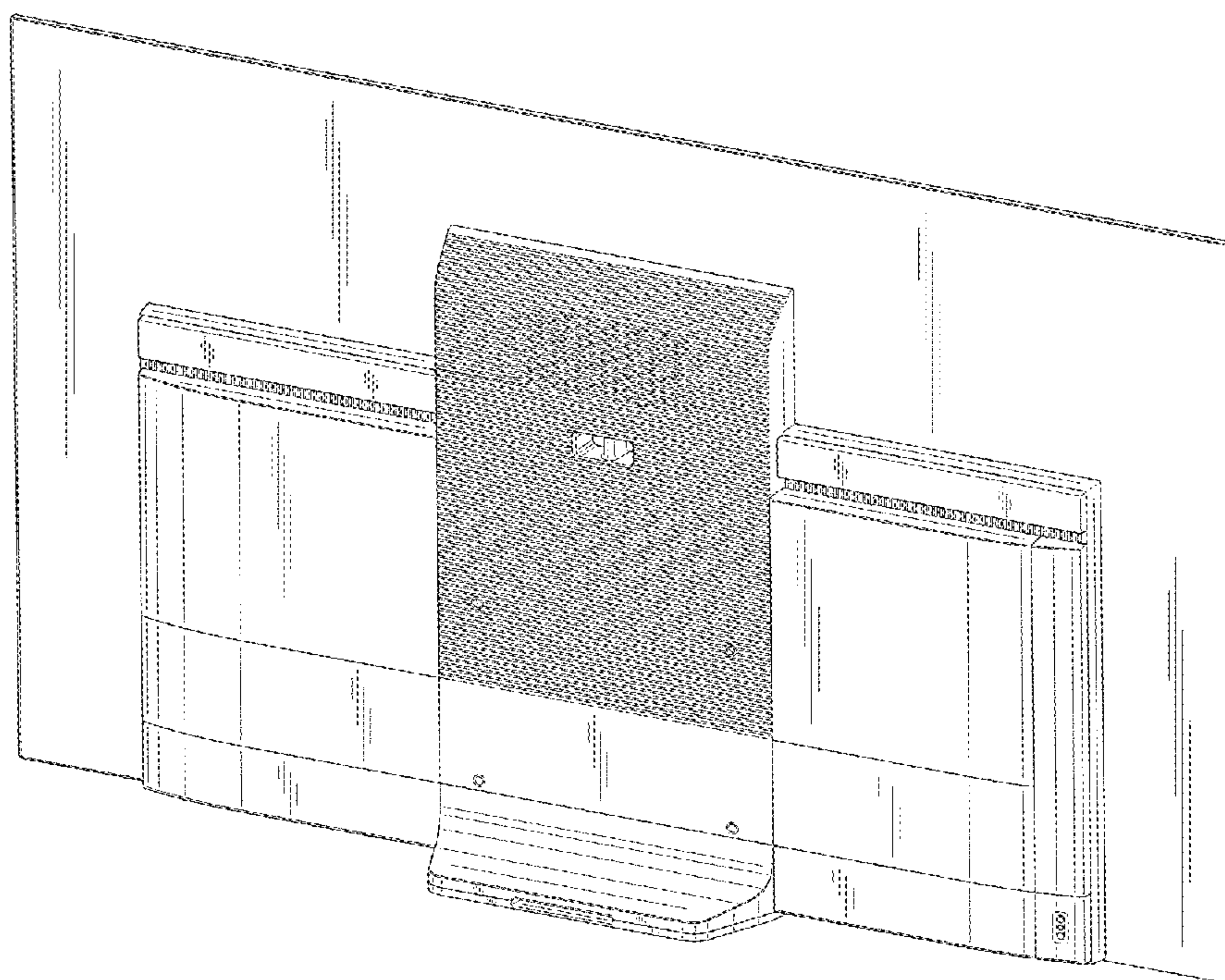


FIG. 1

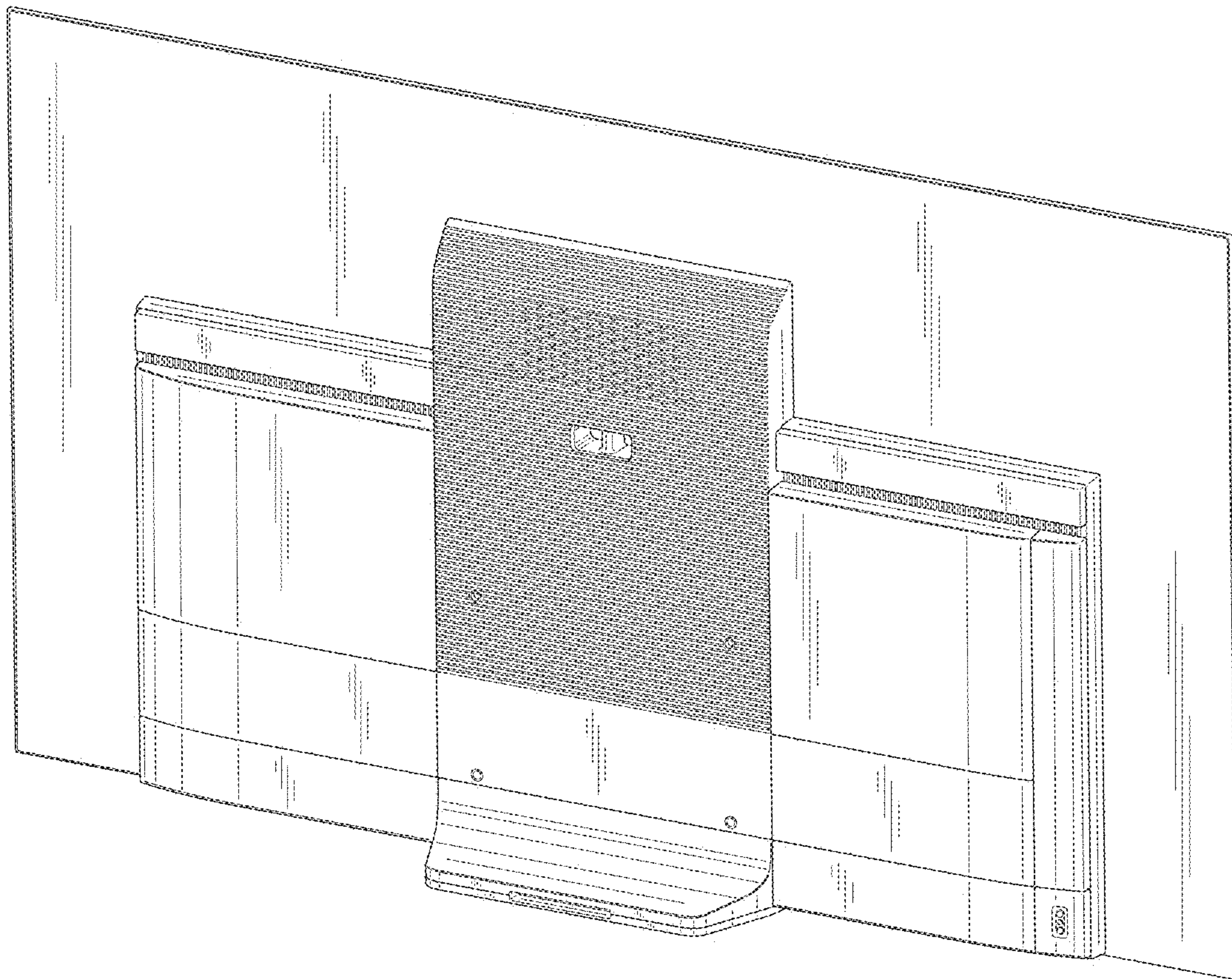


FIG. 2

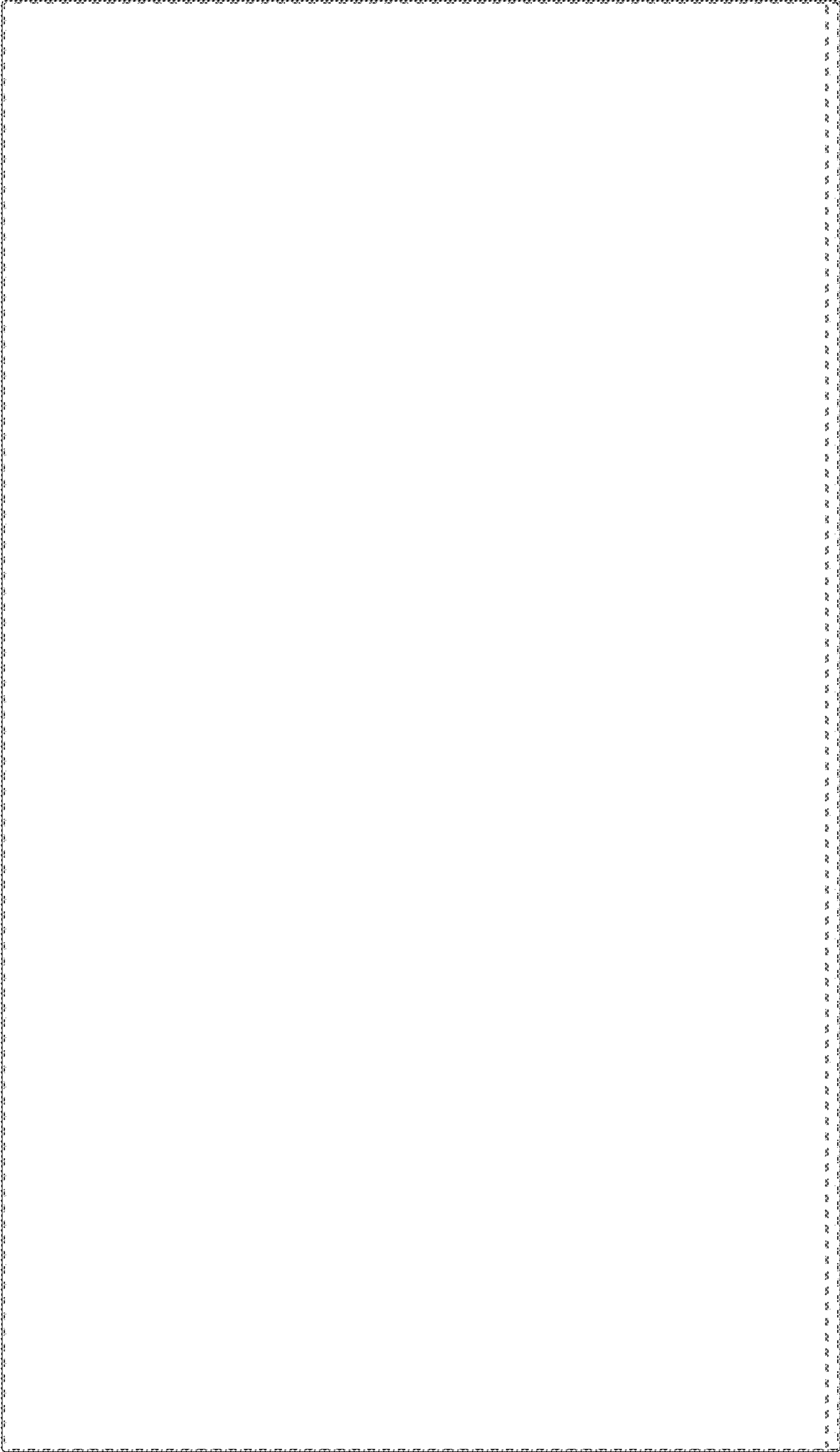


FIG. 3

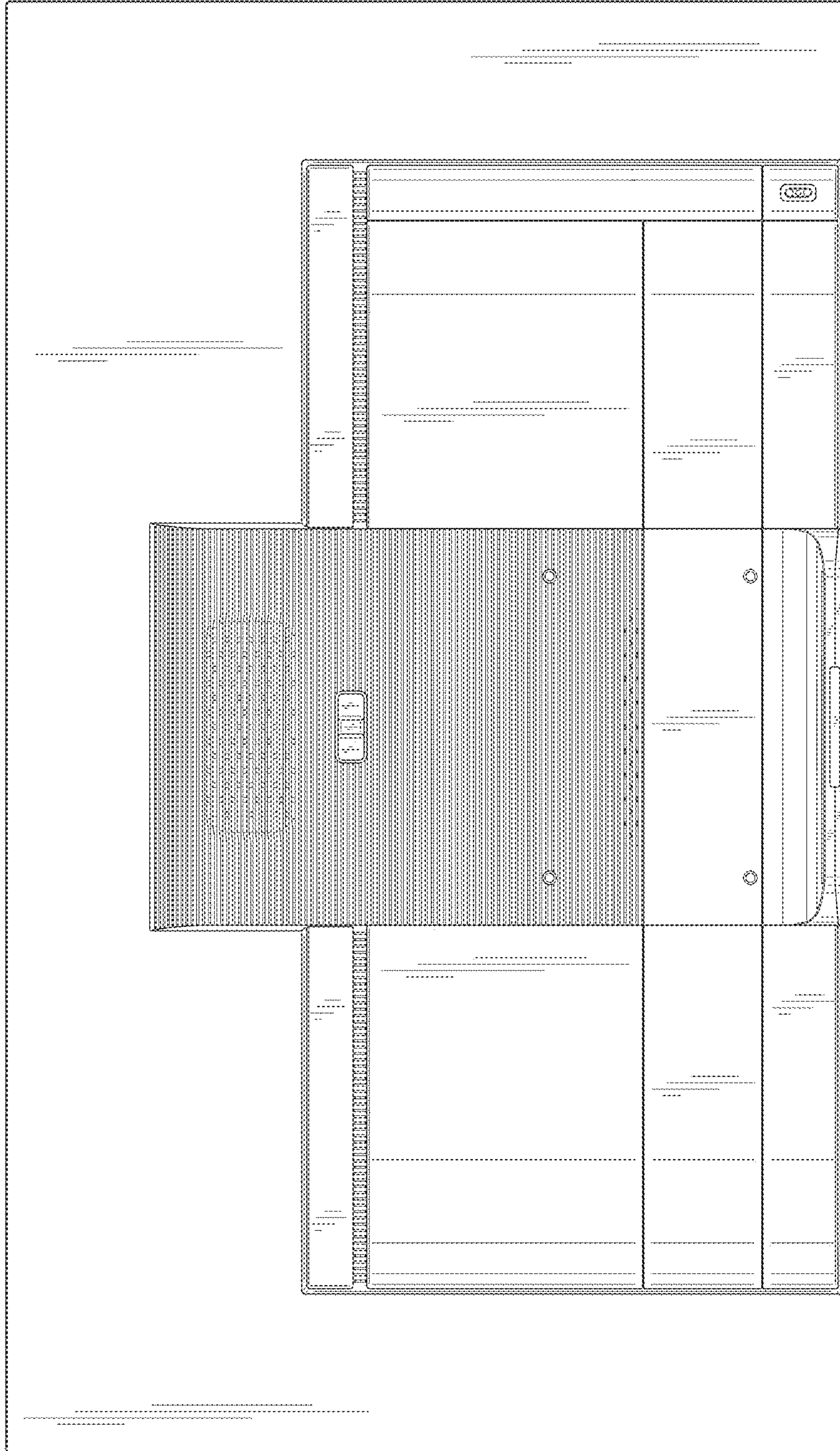


FIG. 5

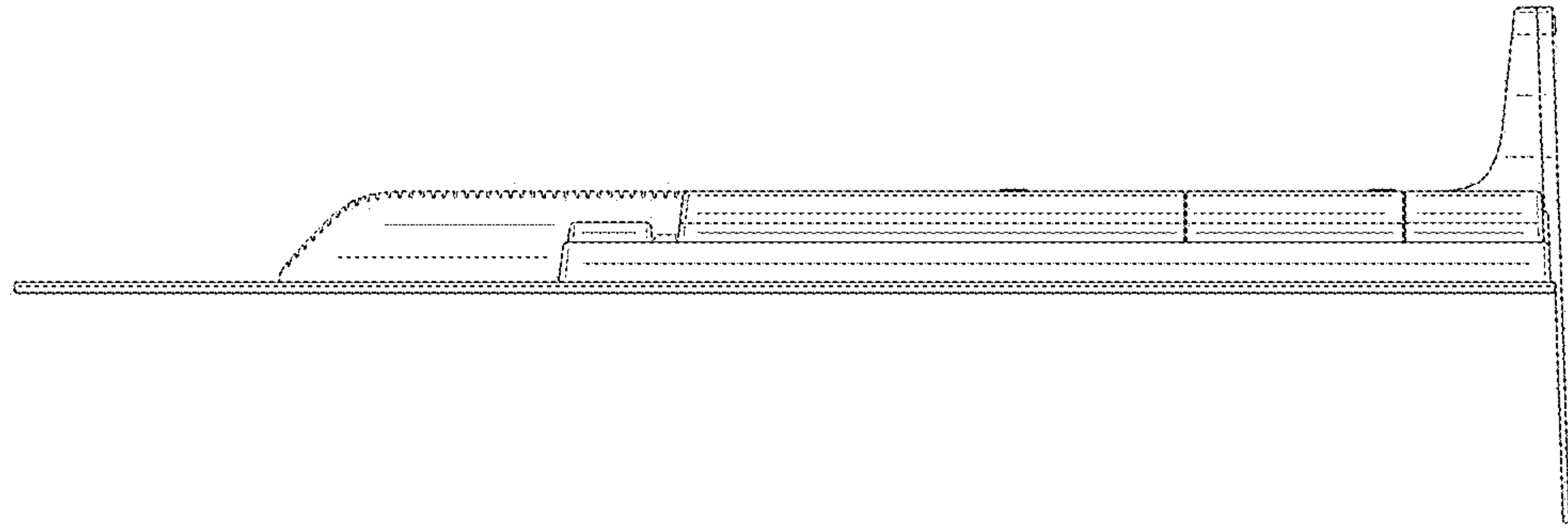


FIG. 4

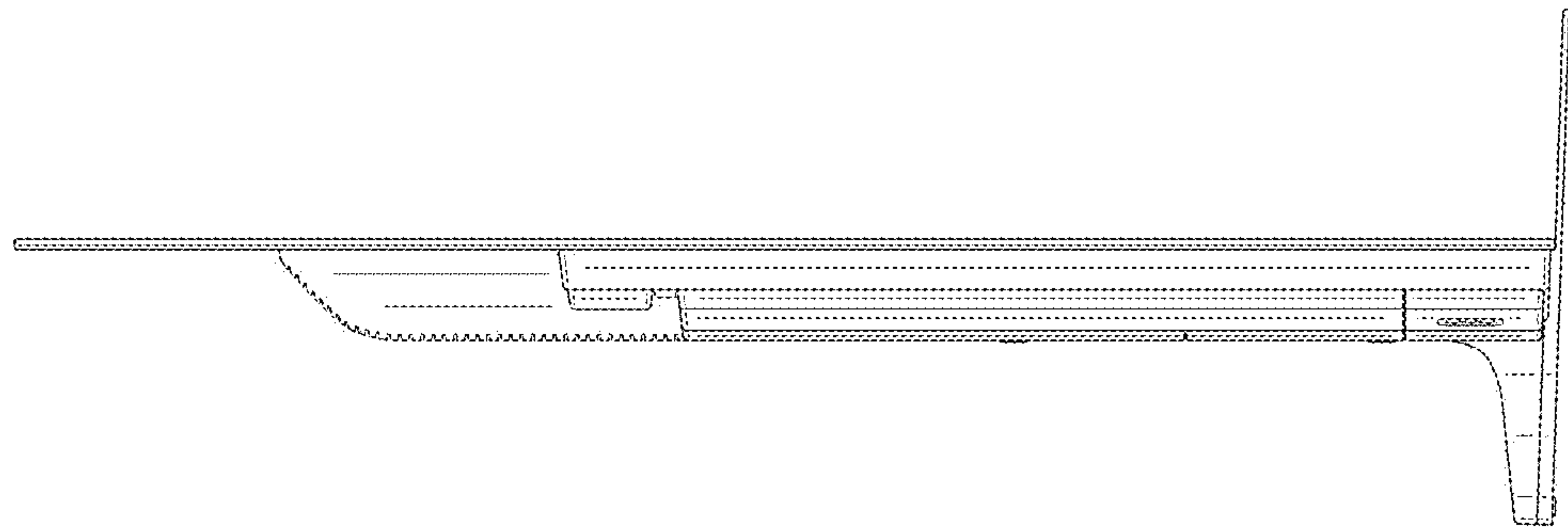


FIG. 6

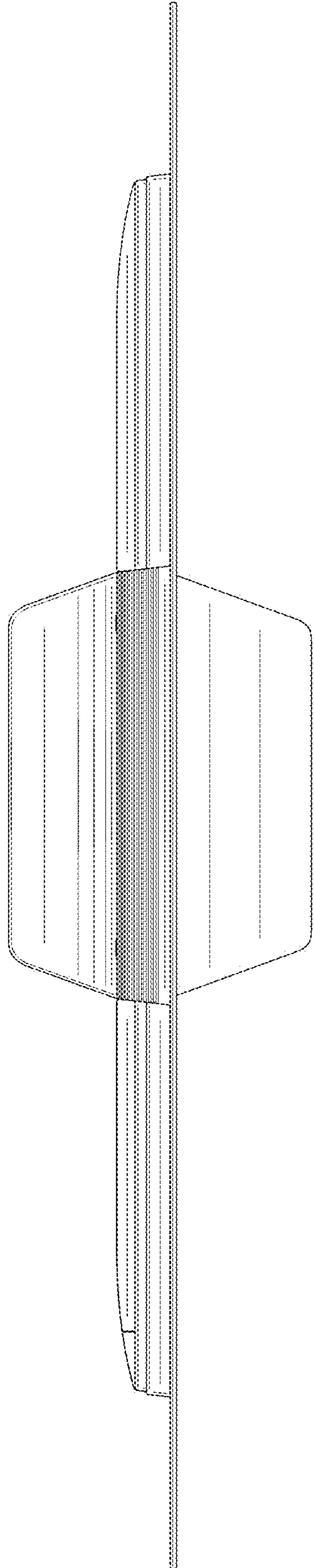


FIG. 7

