



US00D888001S

(12) **United States Design Patent**
Byrne et al.

(10) **Patent No.:** **US D888,001 S**
(45) **Date of Patent:** **** Jun. 23, 2020**

(54) **CARGO NET FOR A PORTABLE TOWER WITH ELECTRICAL OUTLETS**

(71) Applicants: **Norman R. Byrne**, Ada, MI (US);
Joseph D. Ward, Grand Rapids, MI (US)

(72) Inventors: **Norman R. Byrne**, Ada, MI (US);
Joseph D. Ward, Grand Rapids, MI (US)

(**) Term: **15 Years**

(21) Appl. No.: **29/642,129**

(22) Filed: **Mar. 27, 2018**

(51) **LOC (12) Cl.** **13-99**

(52) **U.S. Cl.**
USPC **D13/199**

(58) **Field of Classification Search**
USPC D13/139.1-139.8, 118, 199; D14/447;
D8/382, 349; D11/78.1; D19/65
CPC H01R 25/006
See application file for complete search history.

(56) **References Cited**

U.S. PATENT DOCUMENTS

D244,465 S	5/1977	Stoneman	
4,519,657 A	5/1985	Jensen	
4,780,571 A	10/1988	Huang	
5,230,552 A	7/1993	Schipper et al.	
5,452,807 A	9/1995	Foster et al.	
D367,530 S	2/1996	Stith	
5,819,405 A	10/1998	Marder et al.	
5,921,795 A	7/1999	Weener et al.	
6,017,228 A	1/2000	Verbeek et al.	
6,024,588 A	2/2000	Hsu et al.	
D426,520 S *	6/2000	Goins	D13/139.1
6,135,622 A	10/2000	Downing	
D434,502 S	11/2000	Gallant	
6,264,016 B1	7/2001	Bales	

6,364,678 B1	4/2002	Hellwig et al.	
D473,518 S	4/2003	Hellwig et al.	
6,581,890 B2	6/2003	Johnson et al.	
6,653,562 B2	11/2003	Kochanski et al.	
6,805,581 B2 *	10/2004	Love	H01R 13/447 439/367
6,940,015 B2	9/2005	Fang	
7,004,786 B1	2/2006	Bloom et al.	
D534,584 S *	1/2007	Goldberg	D19/34
D534,869 S	1/2007	Stekelenburg	

(Continued)

FOREIGN PATENT DOCUMENTS

CN	105212668	1/2016
DE	3633844	2/1987

(Continued)

Primary Examiner — Rosemary K Tarcza

Assistant Examiner — Christy Nemeth

(74) *Attorney, Agent, or Firm* — Gardner, Linn, Burkhardt & Ondersma LLP

(57) **CLAIM**

The ornamental design for a cargo net for a portable tower with electrical outlets, as shown and described.

DESCRIPTION

FIG. 1 is a front perspective view of a cargo net for a portable tower with electrical outlets showing our new design;

FIG. 2 is a front elevation thereof;

FIG. 3 is a rear elevation thereof;

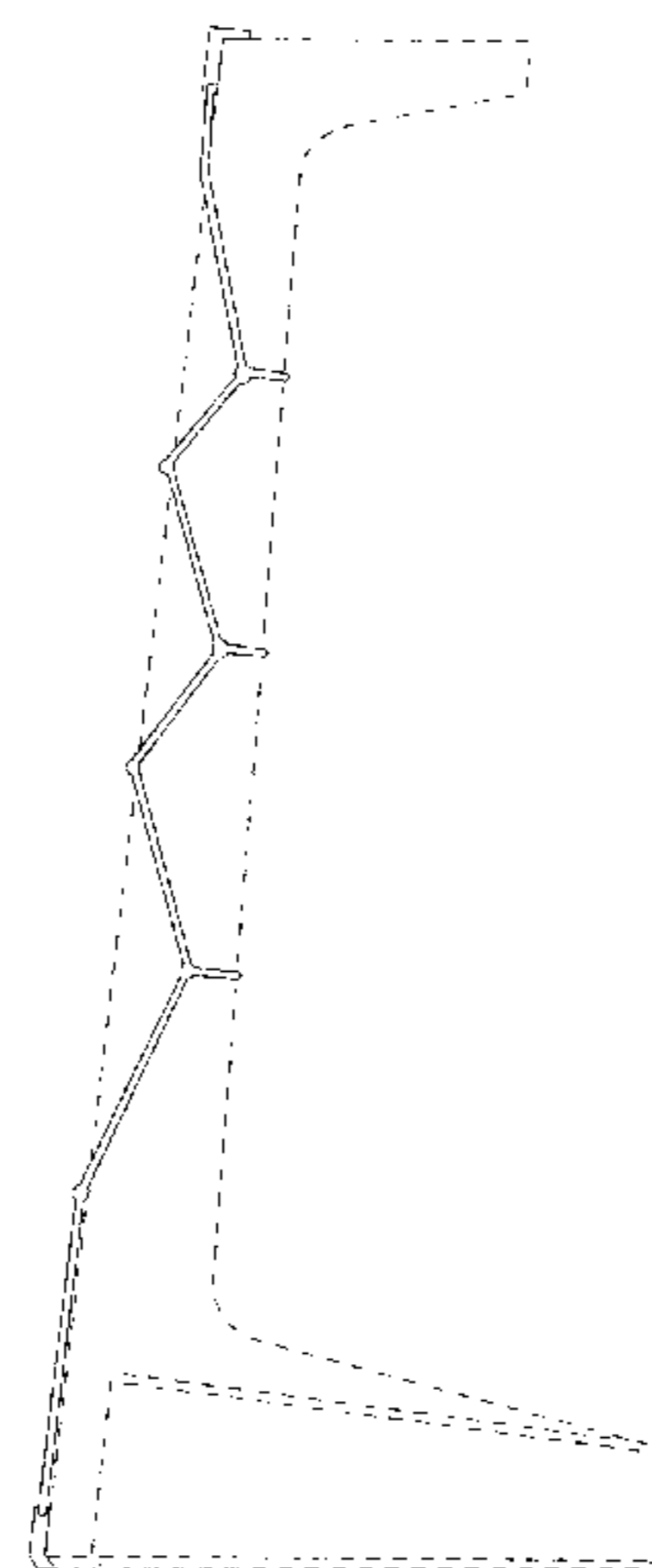
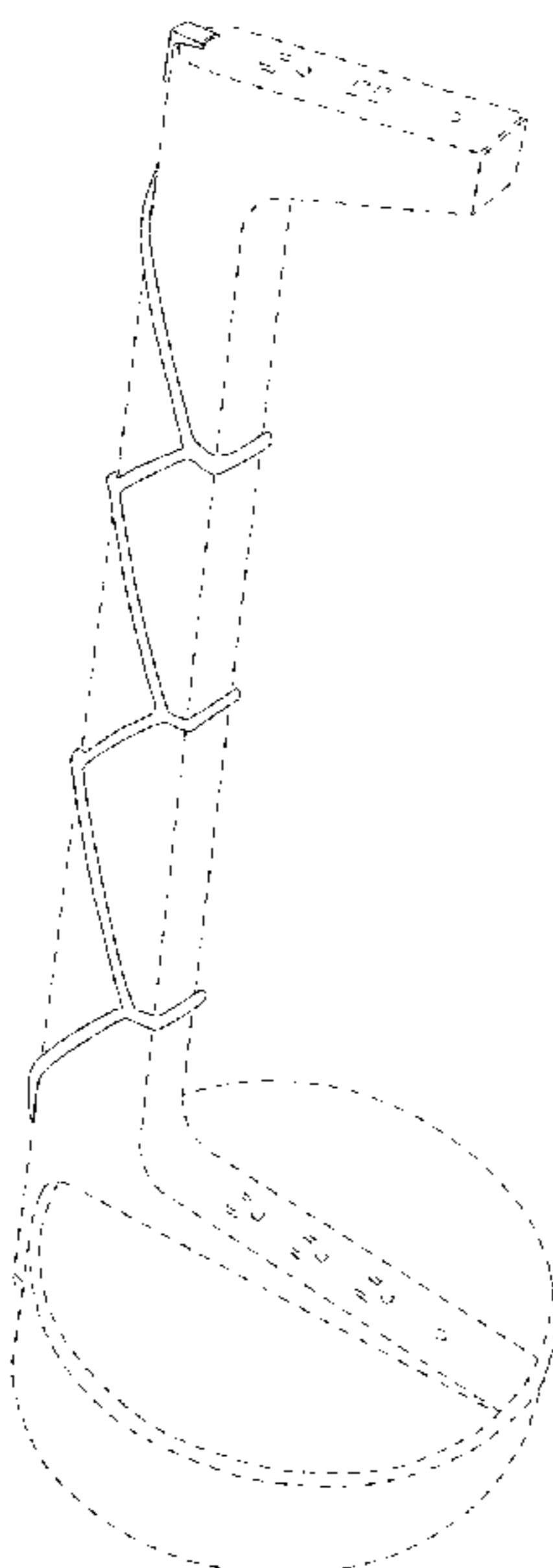
FIG. 4 is a right side elevation thereof;

FIG. 5 is a left side elevation thereof; and,

FIG. 6 is a top plan view thereof.

The broken lines in the drawings are for the purpose of illustrating environmental subject matter that forms no part of the claimed design. A bottom view forms no part of the claimed design.

1 Claim, 4 Drawing Sheets



(56)

References Cited

U.S. PATENT DOCUMENTS

7,227,081 B2 6/2007 Bally et al.
 7,442,090 B2 10/2008 Mori et al.
 7,611,364 B2 11/2009 Kidman
 7,862,385 B2 1/2011 Lee
 7,897,277 B2 3/2011 Meyer et al.
 7,989,738 B2 8/2011 Byrne
 D645,085 S * 9/2011 Jung D19/65
 8,193,768 B2 6/2012 Hallett
 D669,856 S 10/2012 Rosendahl
 D691,953 S 10/2013 Chayer
 8,545,039 B2 10/2013 Patel
 8,558,410 B2 10/2013 Itkonen
 D692,831 S 11/2013 Beldock et al.
 D693,307 S 11/2013 Beldock et al.
 D693,308 S * 11/2013 Beldock D13/139.4
 8,723,055 B2 5/2014 Beldock et al.
 8,783,936 B2 7/2014 Chien
 D712,838 S * 9/2014 Beldock D13/139.5
 9,000,298 B2 4/2015 Byrne et al.
 9,088,088 B1 7/2015 Black et al.
 9,088,117 B2 7/2015 Rosenblum
 9,124,044 B2 9/2015 Beldock et al.
 9,178,324 B2 11/2015 Beldock et al.
 9,362,696 B1 6/2016 Black et al.
 D761,733 S 7/2016 Sumwalt et al.
 D762,177 S * 7/2016 Sumwalt D13/139.4
 9,438,070 B2 9/2016 Byrne et al.
 9,447,961 B1 9/2016 Yousati
 9,484,751 B2 11/2016 Byrne et al.

9,608,455 B2 3/2017 Byrne et al.
 D788,064 S * 5/2017 Norrell D13/139.4
 9,685,730 B2 6/2017 Jones et al.
 D806,035 S * 12/2017 Byrne D13/139.5
 D809,801 S * 2/2018 Bishop D3/321
 10,050,473 B2 8/2018 Byrne et al.
 10,263,373 B2 * 4/2019 Byrne H02J 7/00
 2004/0026998 A1 2/2004 Henriott et al.
 2006/0126243 A1 6/2006 Cheng
 2008/0032528 A1 2/2008 Lai
 2011/0197794 A1 8/2011 Nunes
 2012/0289081 A1 11/2012 Izzard
 2013/0126540 A1 5/2013 Vesterby
 2014/0111158 A1 4/2014 Kinomura et al.
 2015/0108841 A1 * 4/2015 Weber H02J 4/00
 307/31
 2015/0263547 A1 9/2015 Browne
 2016/0079721 A1 3/2016 Jones et al.
 2018/0191113 A1 * 7/2018 Byrne H02J 7/00

FOREIGN PATENT DOCUMENTS

DE	19606193	8/1997
DE	102008001461	11/2009
EP	1441421	7/2004
EP	2128936	12/2009
FR	2823912	10/2002
GB	1464379	2/1977
GB	2303000	2/1997
JP	2002110302	4/2002
WO	9749161	12/1997

* cited by examiner

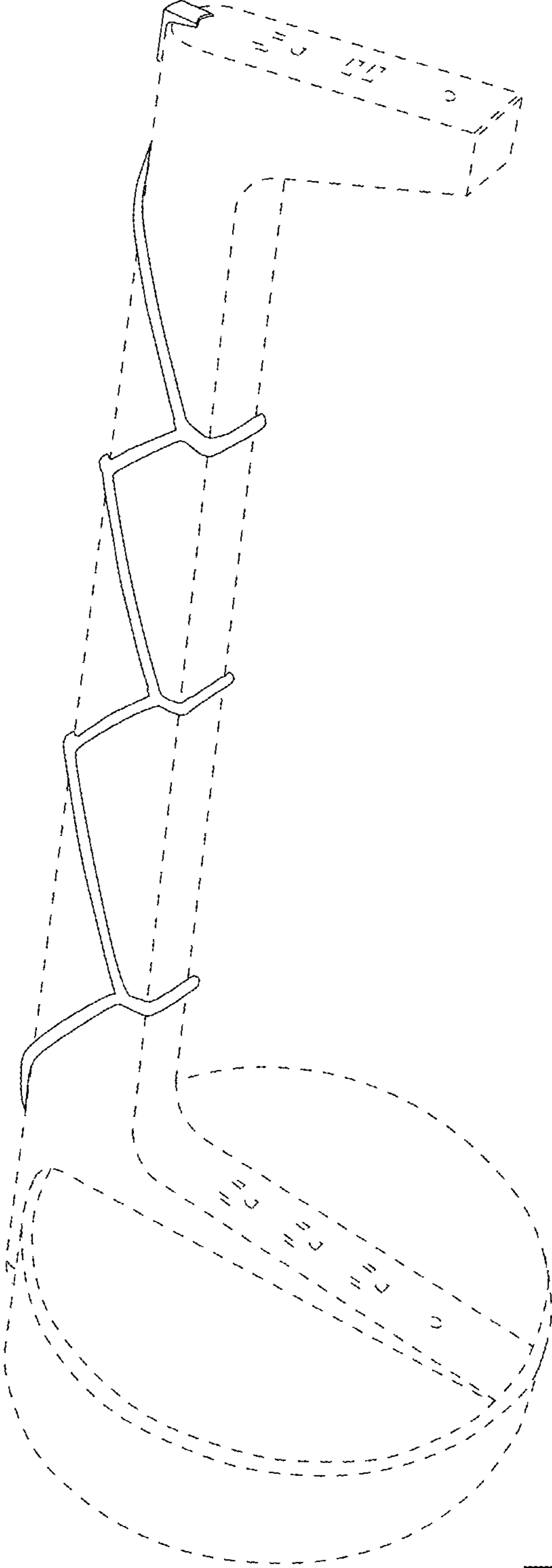


FIG. 1

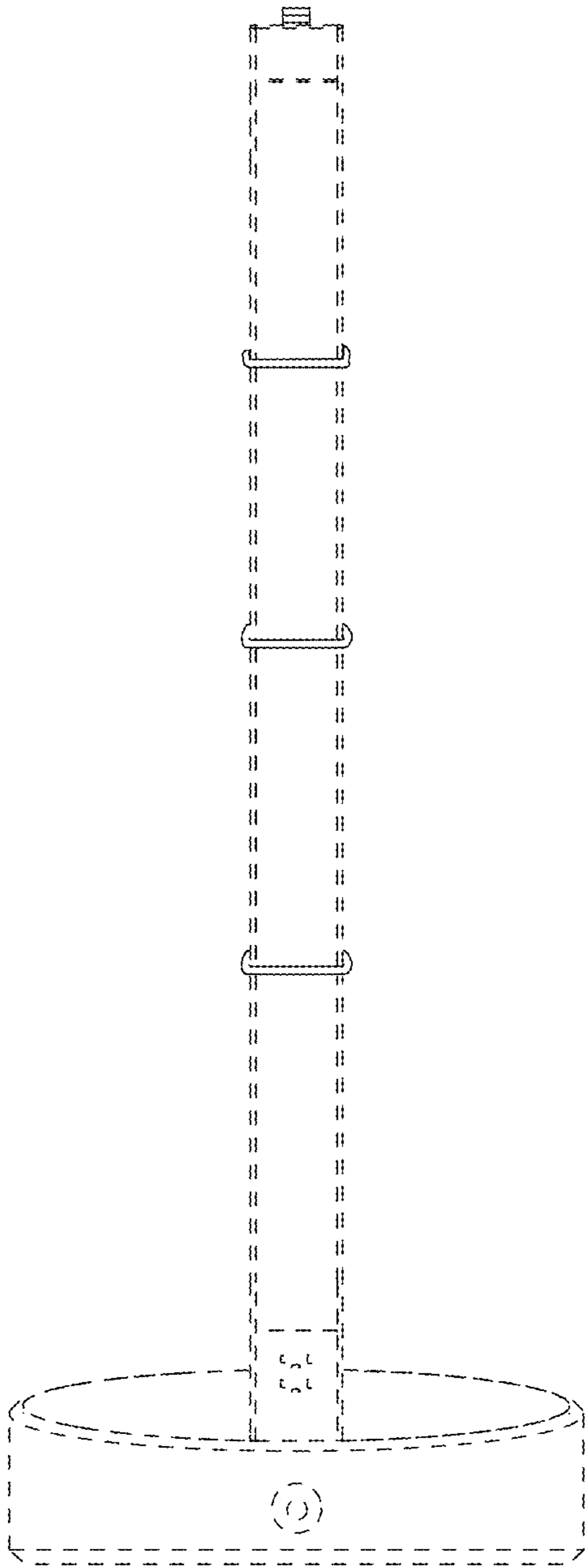


FIG. 2

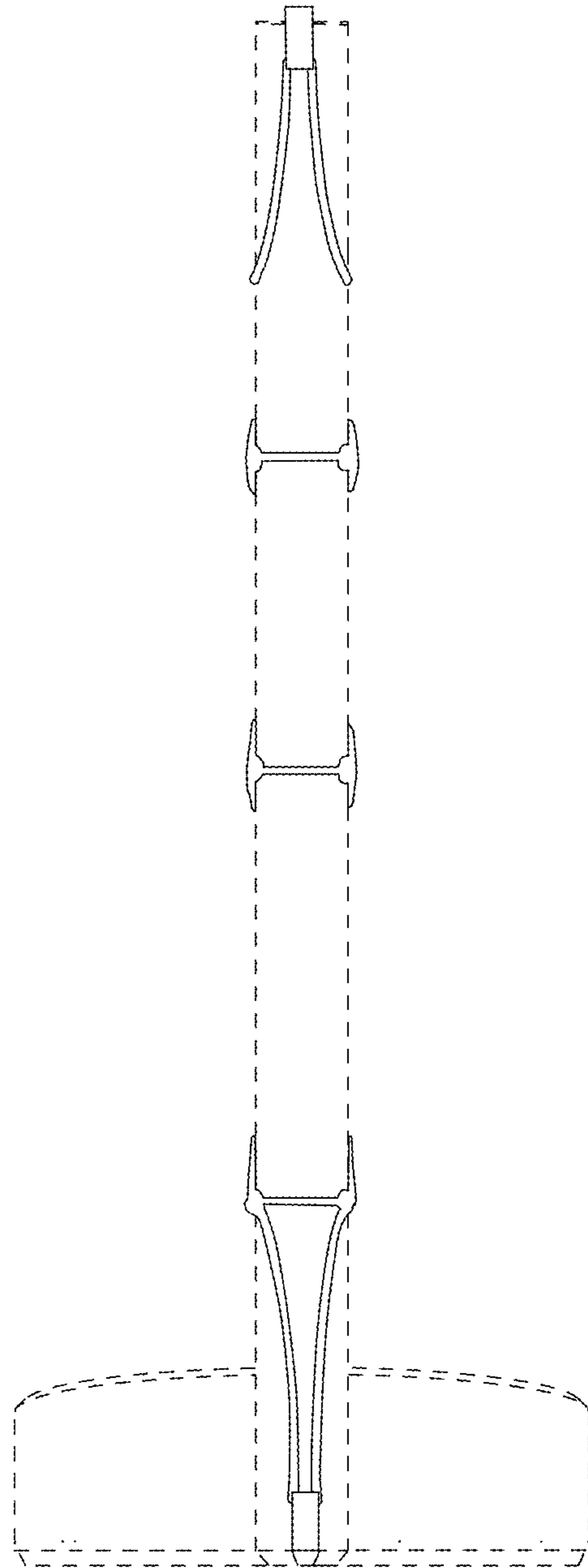


FIG. 3

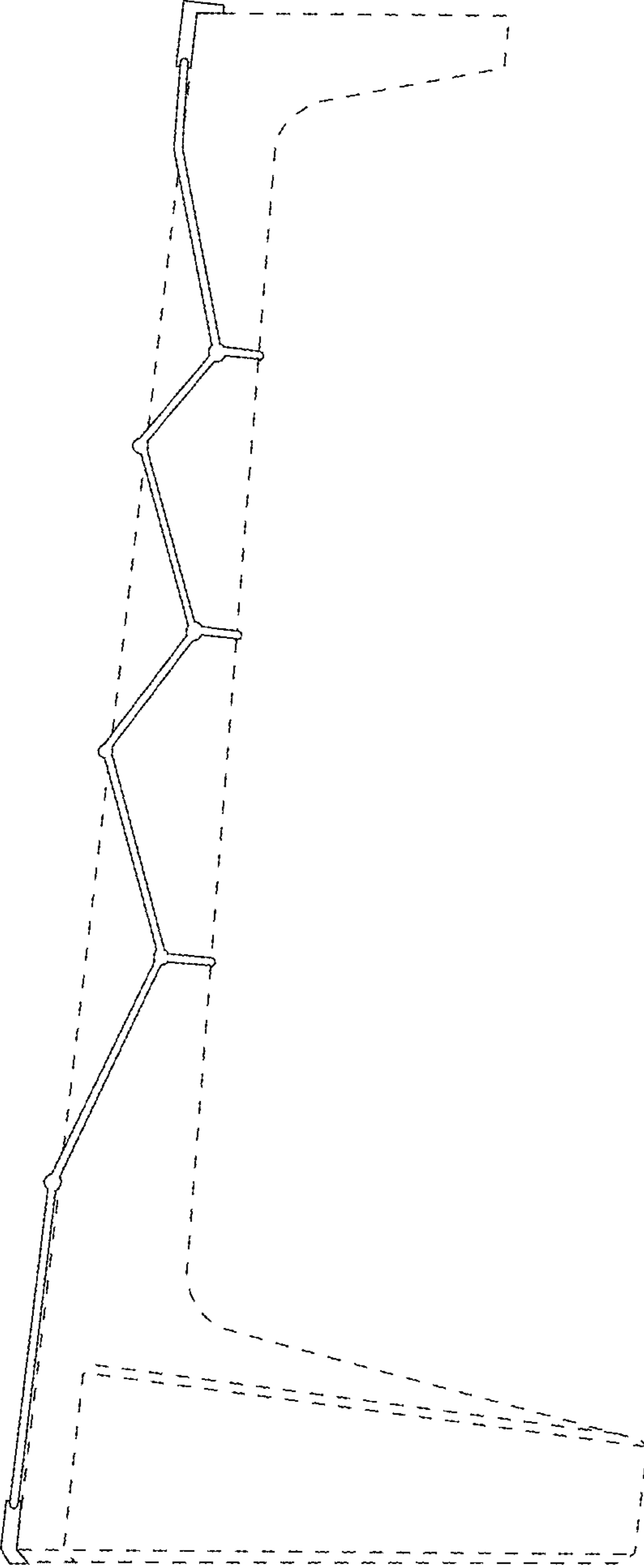


FIG. 4

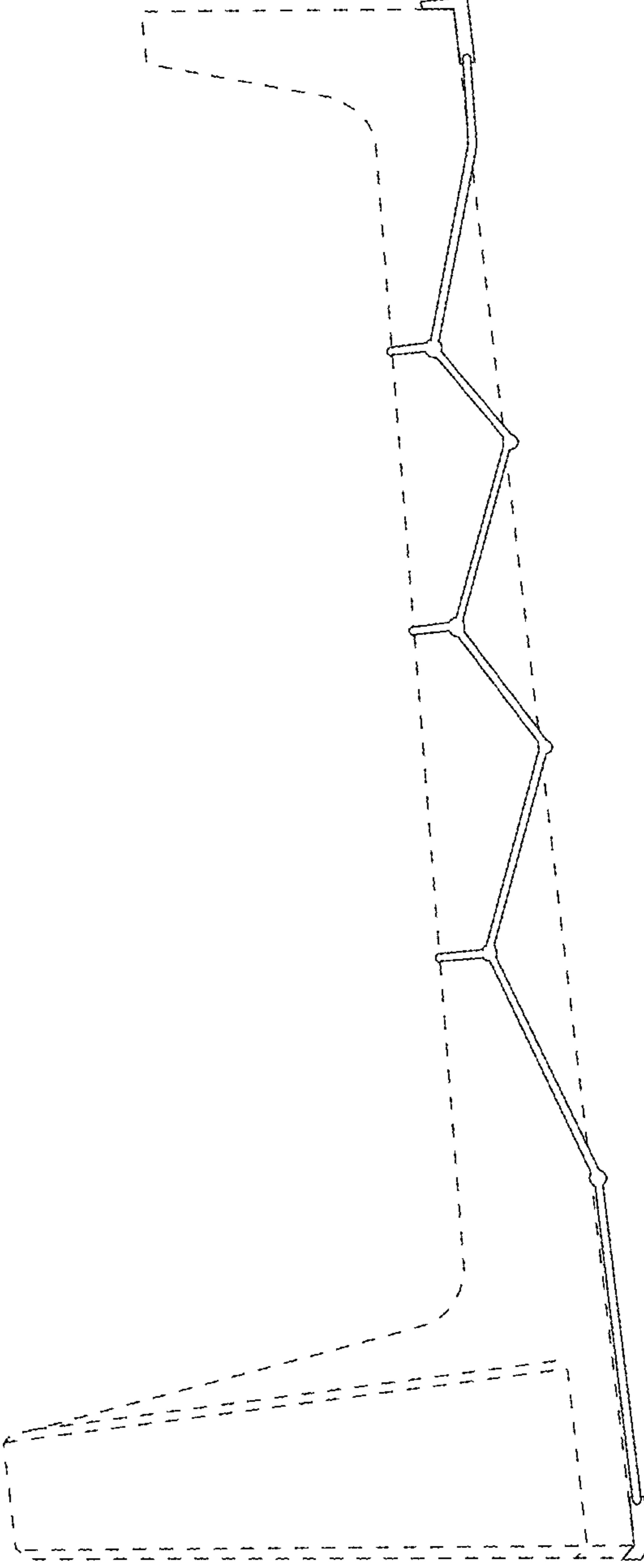


FIG. 5

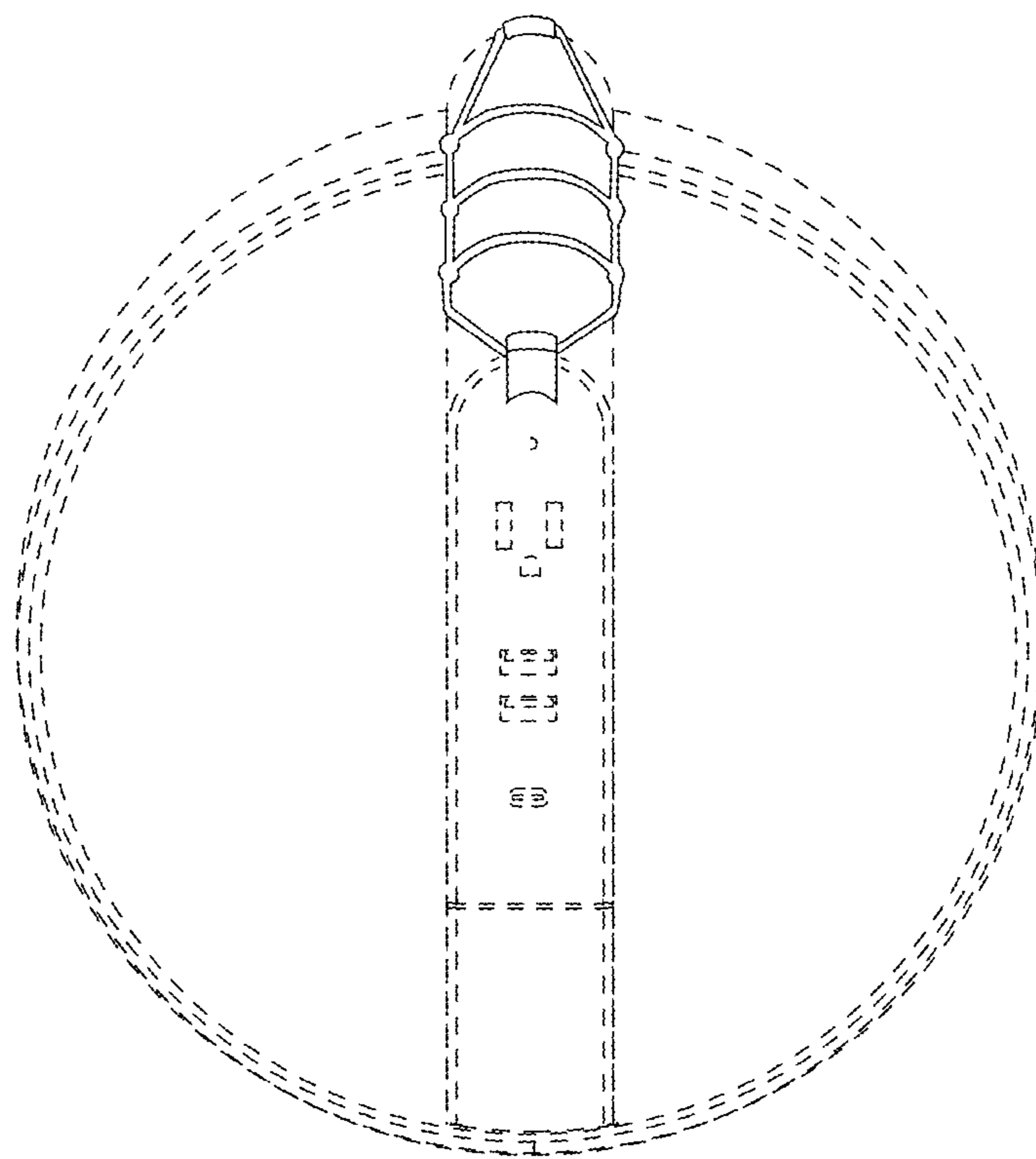


FIG. 6