



US00D887999S

(12) **United States Design Patent**
Chen

(10) **Patent No.:** **US D887,999 S**
(45) **Date of Patent:** **** Jun. 23, 2020**

(54) **CIRCUIT BOARD WITH ZIGZAG ROUTES**

(71) Applicant: **OUPIN ELECTRONIC (KUNSHAN) CO., LTD.**, Kunshan (CN)

(72) Inventor: **Hsin Chih Chen**, Kunshan (CN)

(73) Assignee: **OUPIN ELECTRONIC (KUNSHAN) CO., LTD.**, Kunshan (CN)

(**) Term: **15 Years**

(21) Appl. No.: **29/687,155**

(22) Filed: **Apr. 11, 2019**

(30) **Foreign Application Priority Data**

Oct. 17, 2018 (CN) 2018 3 0578236

(51) **LOC (12) Cl.** **13-03**

(52) **U.S. Cl.**
USPC **D13/182**

(58) **Field of Classification Search**

USPC D13/117, 182

CPC H05K 3/00; H05K 3/30; H05K 3/301;

H05K 3/303; H05K 3/34; H05K 3/3405;

H05K 3/341; H05K 3/36; H05K 3/361;

H05K 3/363; H05K 3/40; H05K 7/14;

H05K 7/1422; H05K 7/00; H05K 1/18;

H05K 1/02; H05K 1/181; H05K 1/182;

H05K 1/183; H05K 1/184; H05K 1/189;

H05K 1/00

See application file for complete search history.

(56) **References Cited**

U.S. PATENT DOCUMENTS

D474,773 S * 5/2003 Kondo D13/182

D485,536 S * 1/2004 Dang D13/182

7,107,944 B1 * 9/2006 Heinzen B25F 5/006
123/46 SC

9,286,951 B2 * 3/2016 Okada H05K 7/02

9,513,666 B2 * 12/2016 Li H01Q 9/0407

D826,189 S * 8/2018 Podubni D13/182

D826,190 S * 8/2018 Podubni D13/182

D826,192 S * 8/2018 Podubni D13/182

D830,319 S * 10/2018 Podubni D13/182

D830,320 S * 10/2018 Podubni D13/182

D832,229 S * 10/2018 Podubni D13/182

D833,990 S * 11/2018 Podubni D13/182

D834,546 S * 11/2018 Podubni D13/182

D841,606 S * 2/2019 Podubni D13/182

10,299,400 B2 * 5/2019 Wengreen F16M 11/041

* cited by examiner

Primary Examiner — Susan Bennett Hattan

Assistant Examiner — Suzanne E Tisdell

(74) *Attorney, Agent, or Firm* — Mark M. Friedman

(57) **CLAIM**

The ornamental design for a circuit board with zigzag routes, as shown and described.

DESCRIPTION

FIG. 1 is a front, top, and right side perspective view of a circuit board with zigzag routes, which shows my new design;

FIG. 2 is a front plane view thereof;

FIG. 3 is a back plane view thereof;

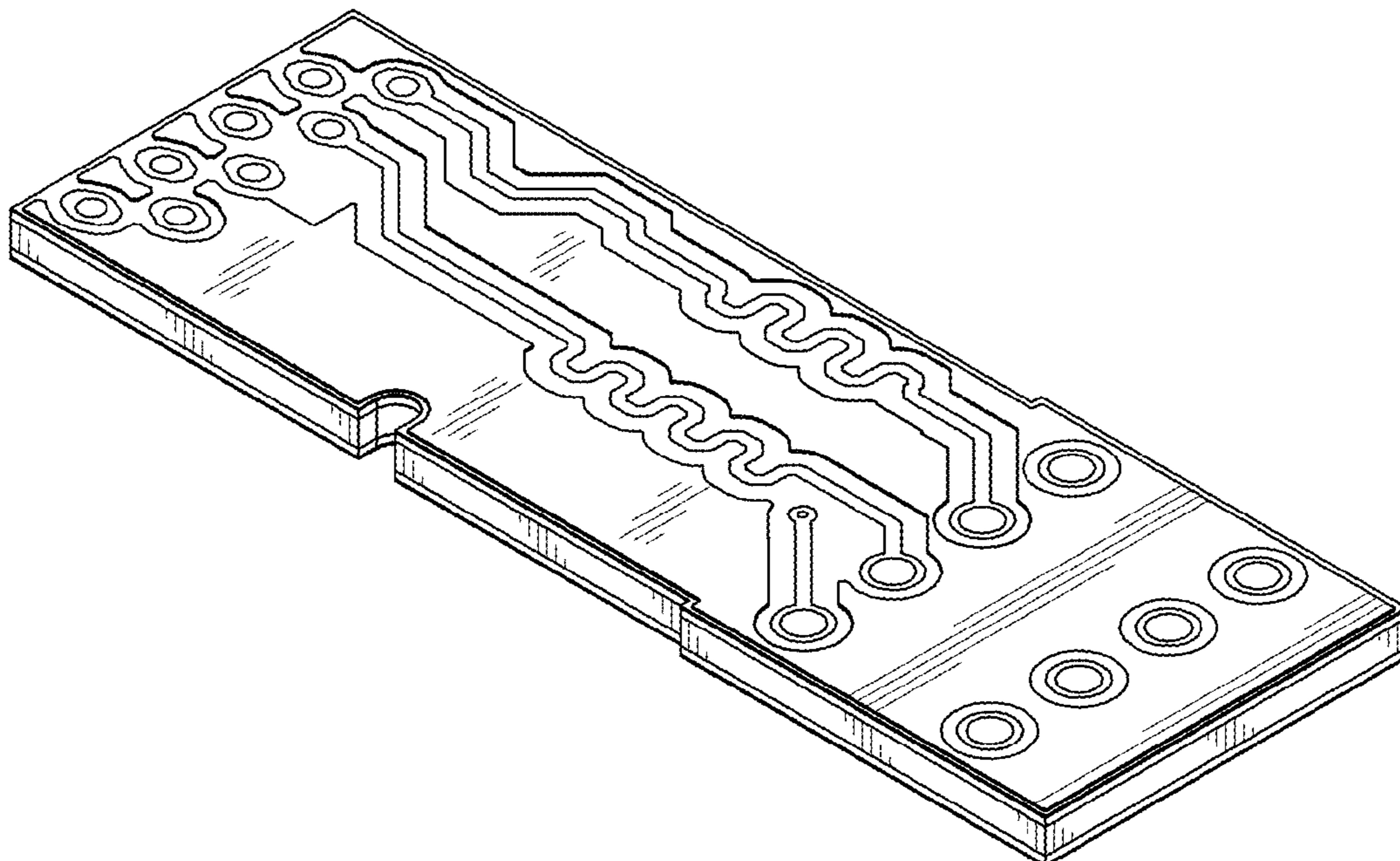
FIG. 4 is a left side view thereof;

FIG. 5 is a right side view thereof;

FIG. 6 is a top plan view thereof; and,

FIG. 7 is a bottom plan view thereof.

1 Claim, 4 Drawing Sheets



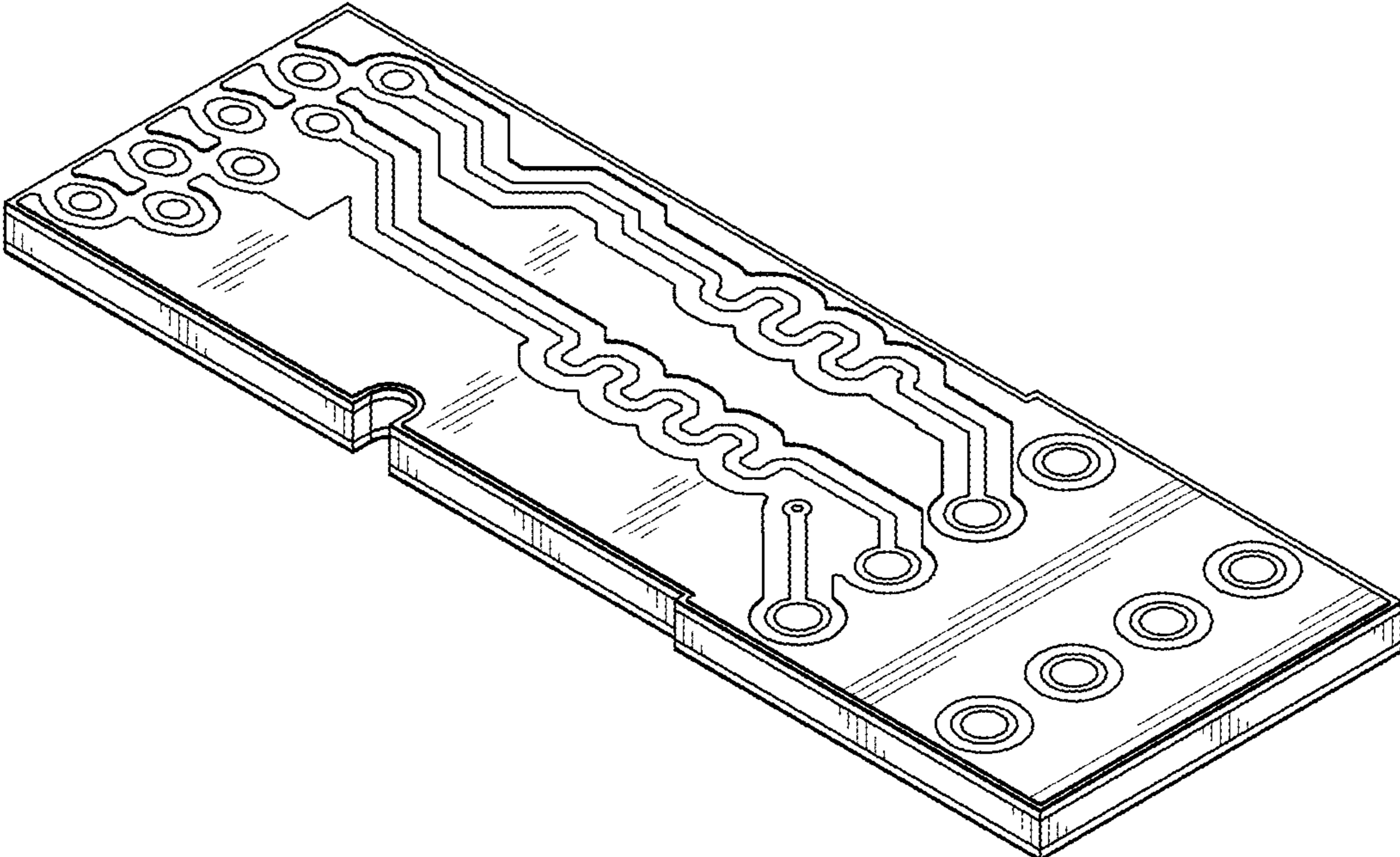


FIG. 1



FIG. 2



FIG. 3

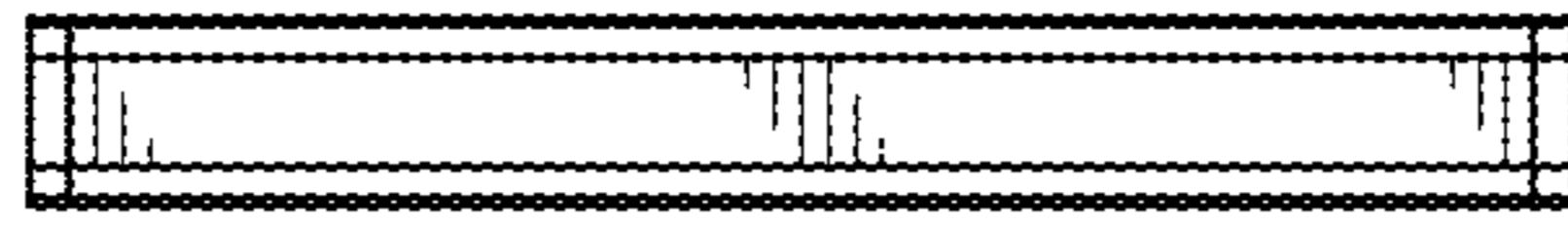


FIG. 4



FIG. 5

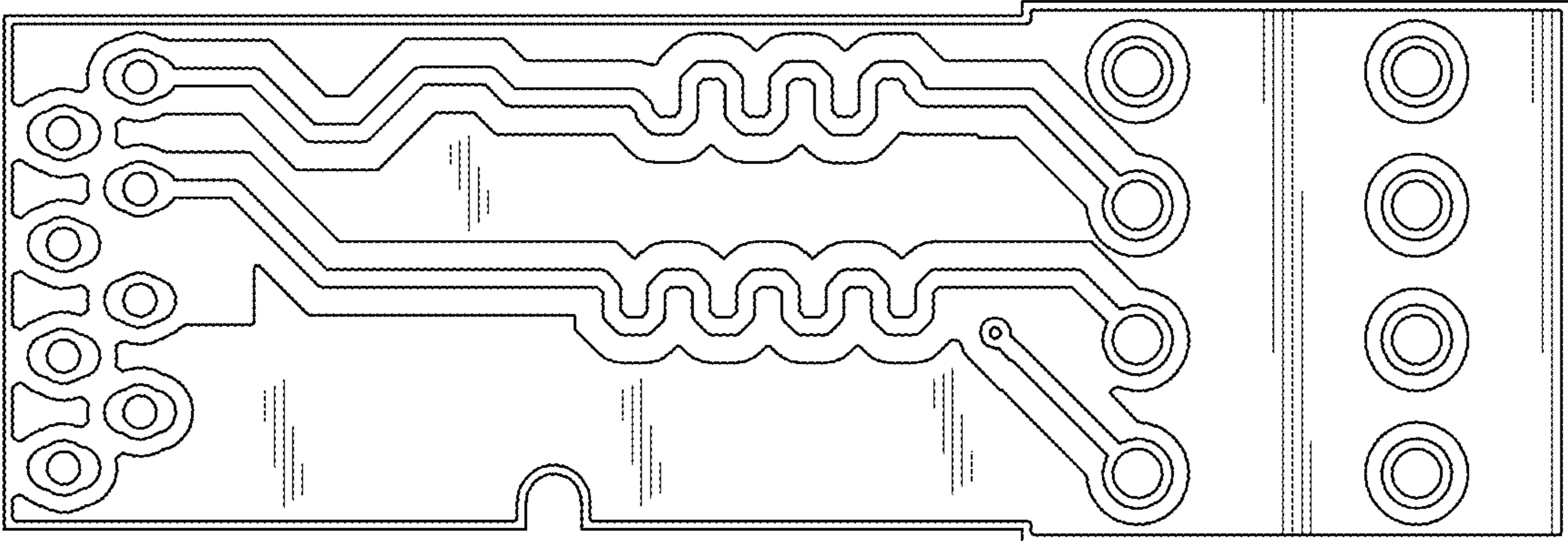


FIG. 6

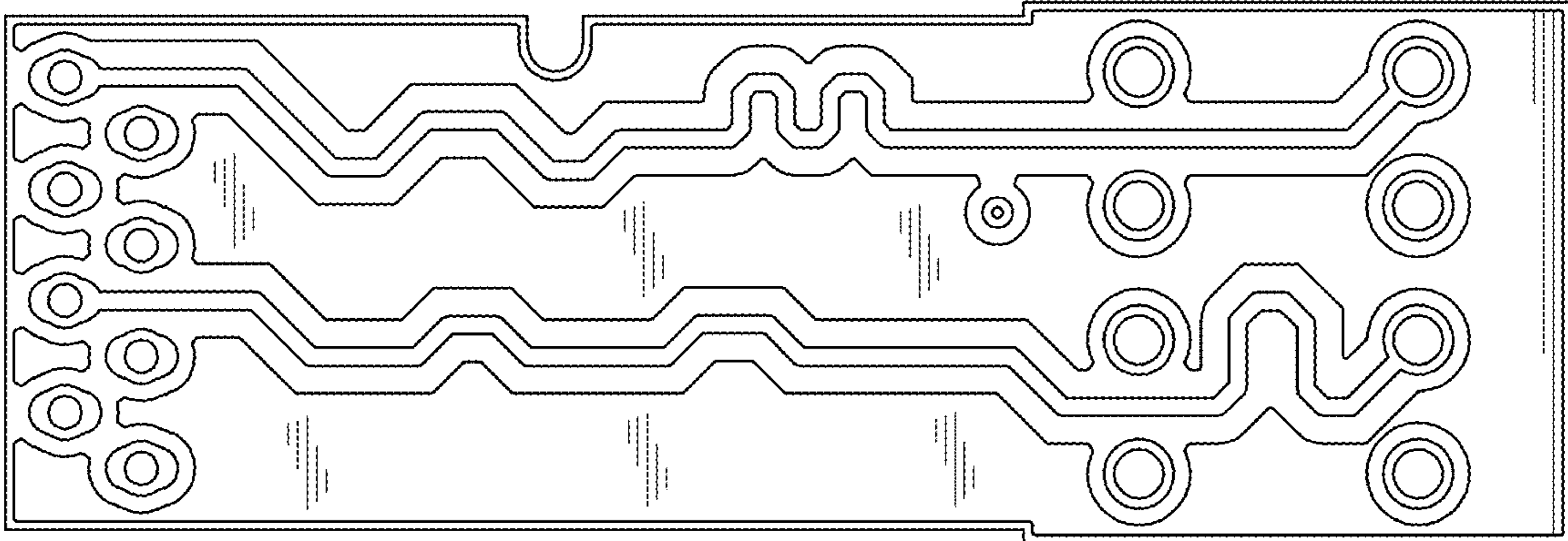


FIG. 7