



US00D887998S

(12) **United States Design Patent**
Krasnopolski et al.

(10) **Patent No.:** **US D887,998 S**
(45) **Date of Patent:** **** Jun. 23, 2020**

(54) **CHIP**
(71) Applicant: **STAT PEEL AG**, Glarus (CH)
(72) Inventors: **Krzysztof Krasnopolski**, Alpnach (CH); **David Schmid**, Untervaz GR (CH); **Fatma Burcu Celikkol Zijlstra**, Zürich (CH); **Joanna Alicja Borek-Donten**, Zürich (CH); **Ruedi Bieri**, Glarus (CH)

(73) Assignee: **STAT PEEL AG**, Glarus (CH)

(**) Term: **15 Years**

(21) Appl. No.: **29/614,262**

(22) Filed: **Aug. 17, 2017**

(30) **Foreign Application Priority Data**

Feb. 17, 2017 (WO) DM/096232
Feb. 17, 2017 (WO) DM/096233

(51) **LOC (12) Cl.** **13-03**

(52) **U.S. Cl.**
USPC **D13/182**

(58) **Field of Classification Search**
USPC D13/182, 117, 133; 174/528, 531, 533, 174/536, 537; 361/679, 728, 736, 737, 361/742, 752, 802, 818; 257/679, 666, 257/670, 678, 690, 692, 734, 735, 922, 257/531, 787, 788; 439/328, 377
CPC H01L 23/02; H01L 23/58; H01L 23/48; H01L 23/52; H01L 29/00; H01L 29/40
See application file for complete search history.

(56) **References Cited**

U.S. PATENT DOCUMENTS

D310,514 S * 9/1990 Maurer D13/182
D365,092 S * 12/1995 Mundigl D14/437

D406,822 S * 3/1999 Huber D13/182
D430,024 S * 8/2000 Besemer D13/182
6,201,296 B1 * 3/2001 Fries G06F 21/86
257/531
6,211,572 B1 * 4/2001 Fjelstad H01L 23/3114
257/759
6,297,561 B1 * 10/2001 Liu H01L 23/3171
257/678
6,307,269 B1 * 10/2001 Akiyama H01L 23/3114
257/778
D456,367 S * 4/2002 Matteson D13/182
D466,873 S * 12/2002 Kasem D13/182
D472,528 S * 4/2003 Kasem D13/182
7,525,200 B2 * 4/2009 Yuzawa H01L 23/49838
257/693
D675,582 S * 2/2013 Segler D13/182
D711,842 S * 8/2014 Jenni D13/182
D715,234 S * 10/2014 Chan D13/182
D727,861 S * 4/2015 Tang D13/182
D736,212 S * 8/2015 Kang D14/436
2009/0230537 A1 * 9/2009 Liu H01L 21/563
257/690

* cited by examiner

Primary Examiner — Elizabeth J Oswecki
(74) *Attorney, Agent, or Firm* — Sughrue Mion, PLLC

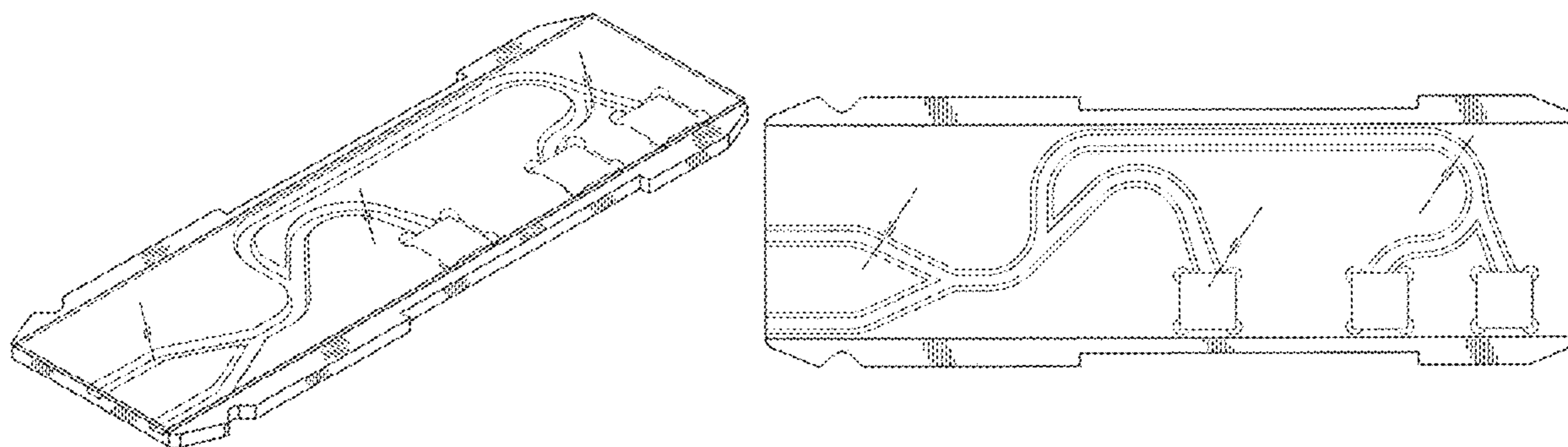
(57) **CLAIM**

The ornamental design for a chip, as shown and described.

DESCRIPTION

FIG. 1 is a perspective view of a chip showing our new design;
FIG. 2 is a top view thereof;
FIG. 3 is bottom view thereof;
FIG. 4 is a front view thereof;
FIG. 5 is a rear view thereof;
FIG. 6 is a left side view thereof; and,
FIG. 7 is a right side view thereof.
The broken lines depict environmental subject matter only and form no part of the claimed design.

1 Claim, 3 Drawing Sheets



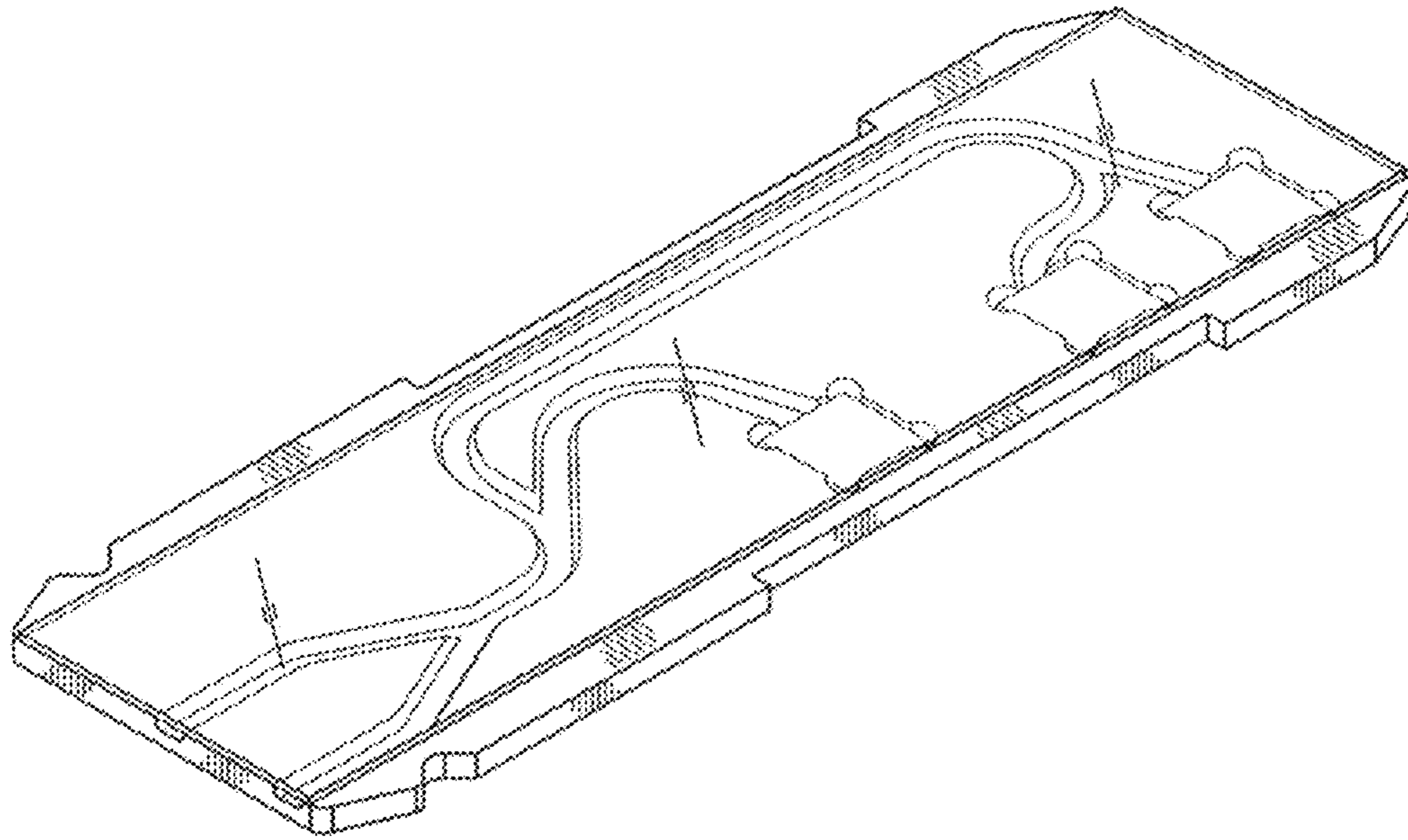


Fig. 1

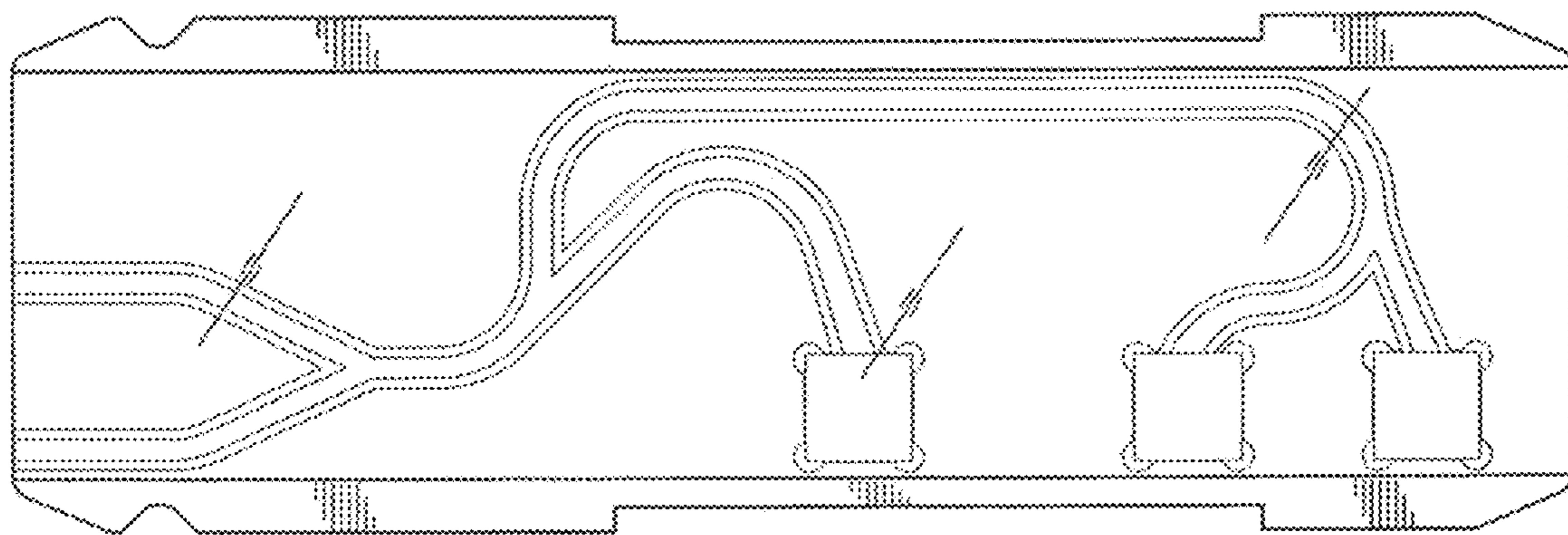


Fig. 2

Fig. 3

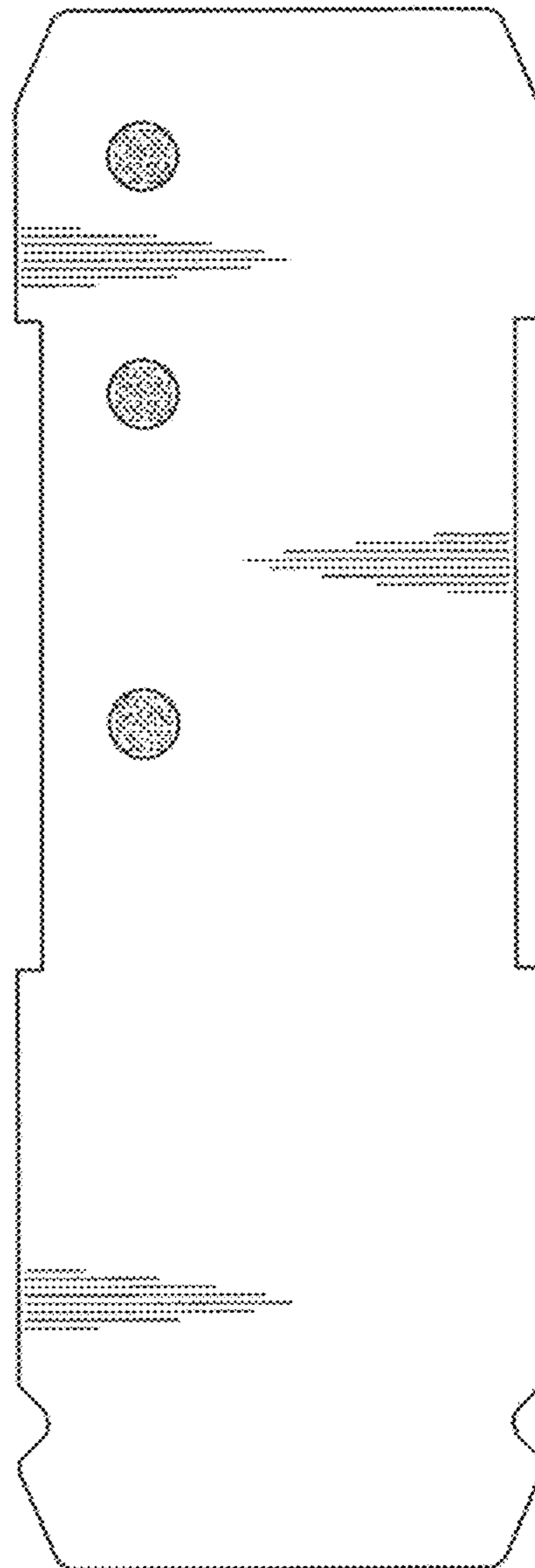




Fig. 7

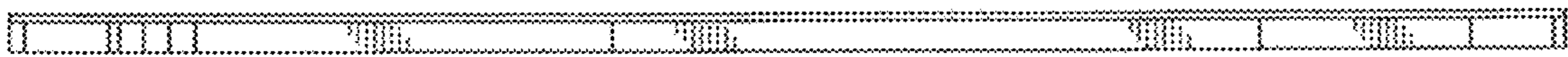


Fig. 4

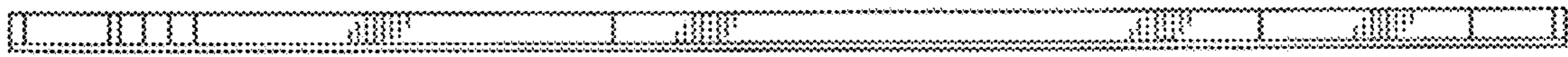


Fig. 5



Fig. 6