



US00D887996S

(12) **United States Design Patent**  
**Taborsky et al.**

(10) **Patent No.:** **US D887,996 S**  
(45) **Date of Patent:** **\*\* Jun. 23, 2020**

- (54) **EMERGENCY STOP BUTTON**
- (71) Applicant: **Schneider Electric Industries SAS**,  
Rueil-Malmaison (FR)
- (72) Inventors: **Isabelle Taborsky**, Rueil Malmaison  
(FR); **Praveen Kumar Deevarpalli**,  
Rueil Malmaison (FR); **Aurelien  
Franc**, Rueil Malmaison (FR);  
**Guillaume Reiner**, Rueil Malmaison  
(FR)
- (73) Assignee: **Schneider Electric Industries SAS**,  
Rueil-Malmaison (FR)

(\*\*) Term: **15 Years**

(21) Appl. No.: **29/663,848**

(22) Filed: **Sep. 19, 2018**

(30) **Foreign Application Priority Data**

Mar. 19, 2018 (EM) ..... 004764645-0001

(51) **LOC (12) Cl.** ..... **13-03**

(52) **U.S. Cl.**  
USPC ..... **D13/174**

(58) **Field of Classification Search**  
USPC ..... D13/162, 171, 174, 177; D7/405, 406  
CPC .. H01H 3/12; H01H 9/02; H01H 9/16; H01H  
9/18; H01H 9/181; H01H 9/182; H01H  
13/04; H01H 13/14; H01H 2009/187;  
G06F 3/0362; G05G 1/08; G05G 1/10;  
H02G 3/14

See application file for complete search history.

(56) **References Cited**

**U.S. PATENT DOCUMENTS**

- 4,419,555 A \* 12/1983 Kim ..... H01H 13/023  
200/293
- 4,463,237 A \* 7/1984 Kim ..... H01H 13/52  
200/341
- D514,072 S \* 1/2006 Martinez ..... D13/174

- 6,987,233 B2 \* 1/2006 Cole ..... H01H 9/12  
200/310
- 7,804,037 B2 \* 9/2010 Cove ..... H01H 9/181  
200/314
- 2017/0221653 A1 \* 8/2017 Liao ..... H01H 13/023
- 2018/0323018 A1 \* 11/2018 Taborsky ..... H01H 9/16

\* cited by examiner

*Primary Examiner* — Selinda Sikder

(74) *Attorney, Agent, or Firm* — Oblon, McClelland,  
Maier & Neustadt, L.L.P.

(57) **CLAIM**

The ornamental design for an emergency stop button, as shown and described.

**DESCRIPTION**

FIG. 1 is a front, top, and right side perspective view of an emergency stop button;

FIG. 2 is a front, top, and left side perspective view thereof;

FIG. 3 is a front elevational view thereof;

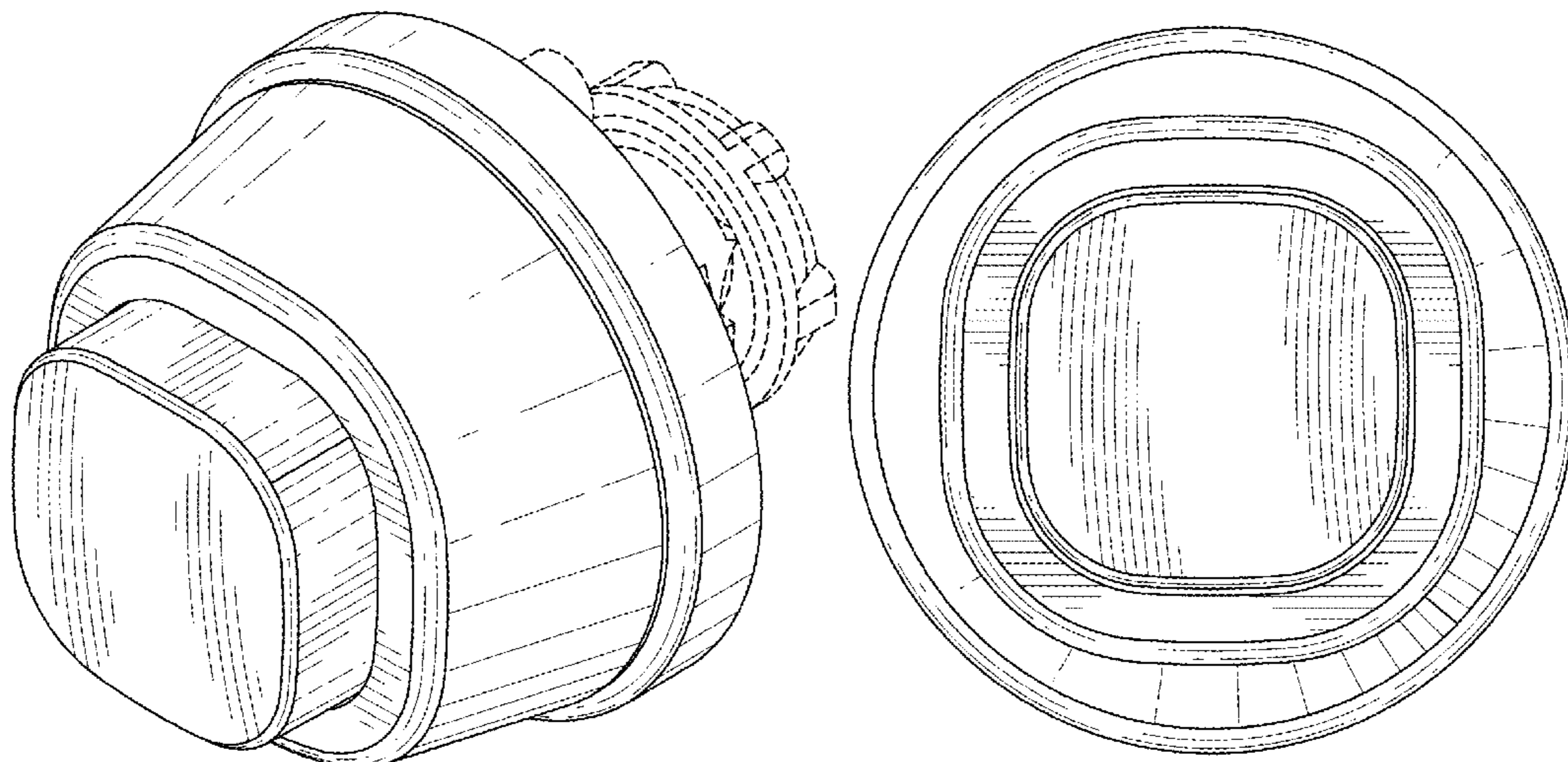
FIG. 4 is a rear elevational view thereof;

FIG. 5 is a right side elevational view thereof, the a left side elevational view being a mirror image of the right side elevational view; and,

FIG. 6 is a bottom plan view thereof.

The portions of the article shown in broken lines is for illustrative purposes only and form no part of the claimed design.

**1 Claim, 6 Drawing Sheets**



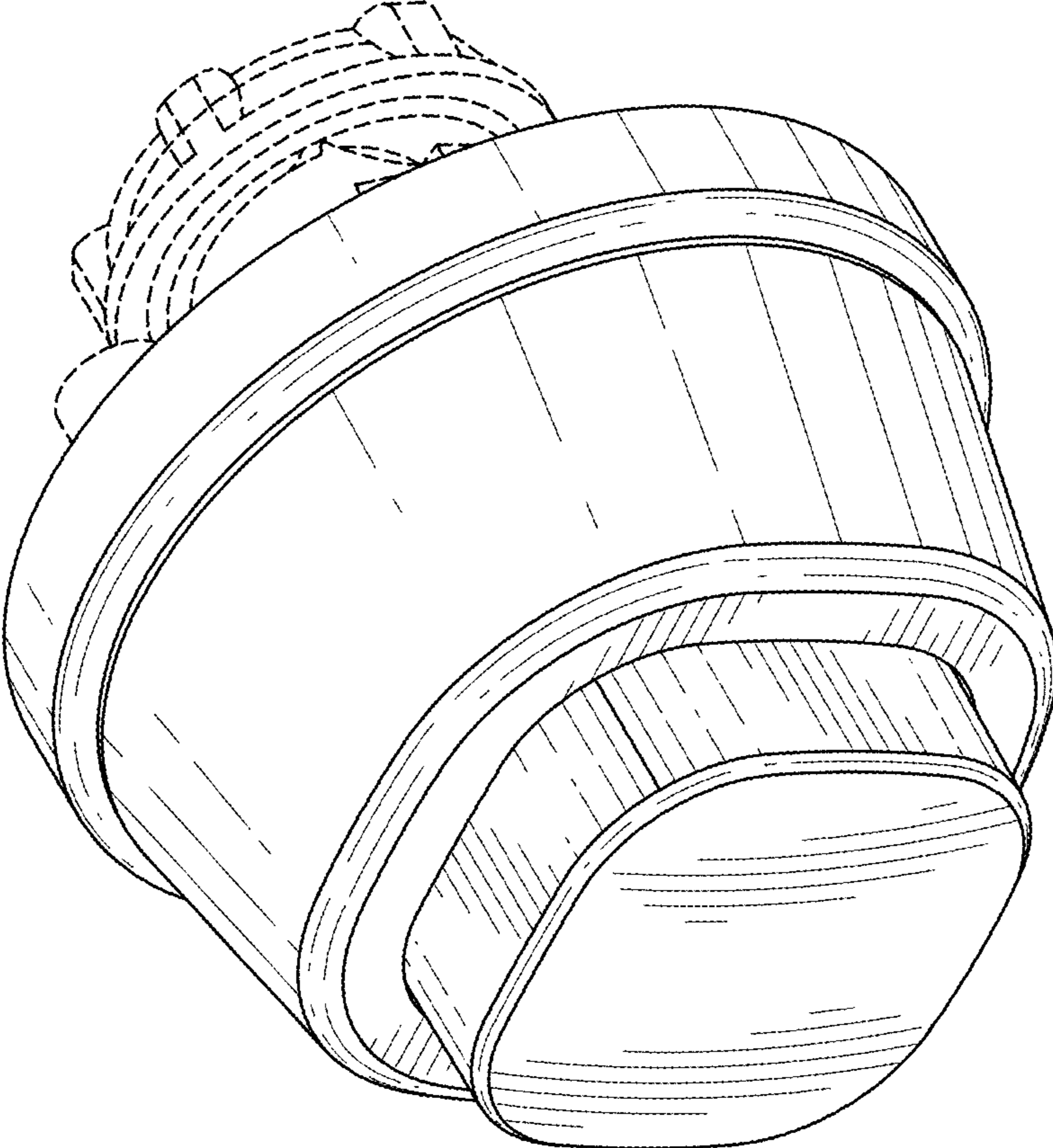


FIG. 1

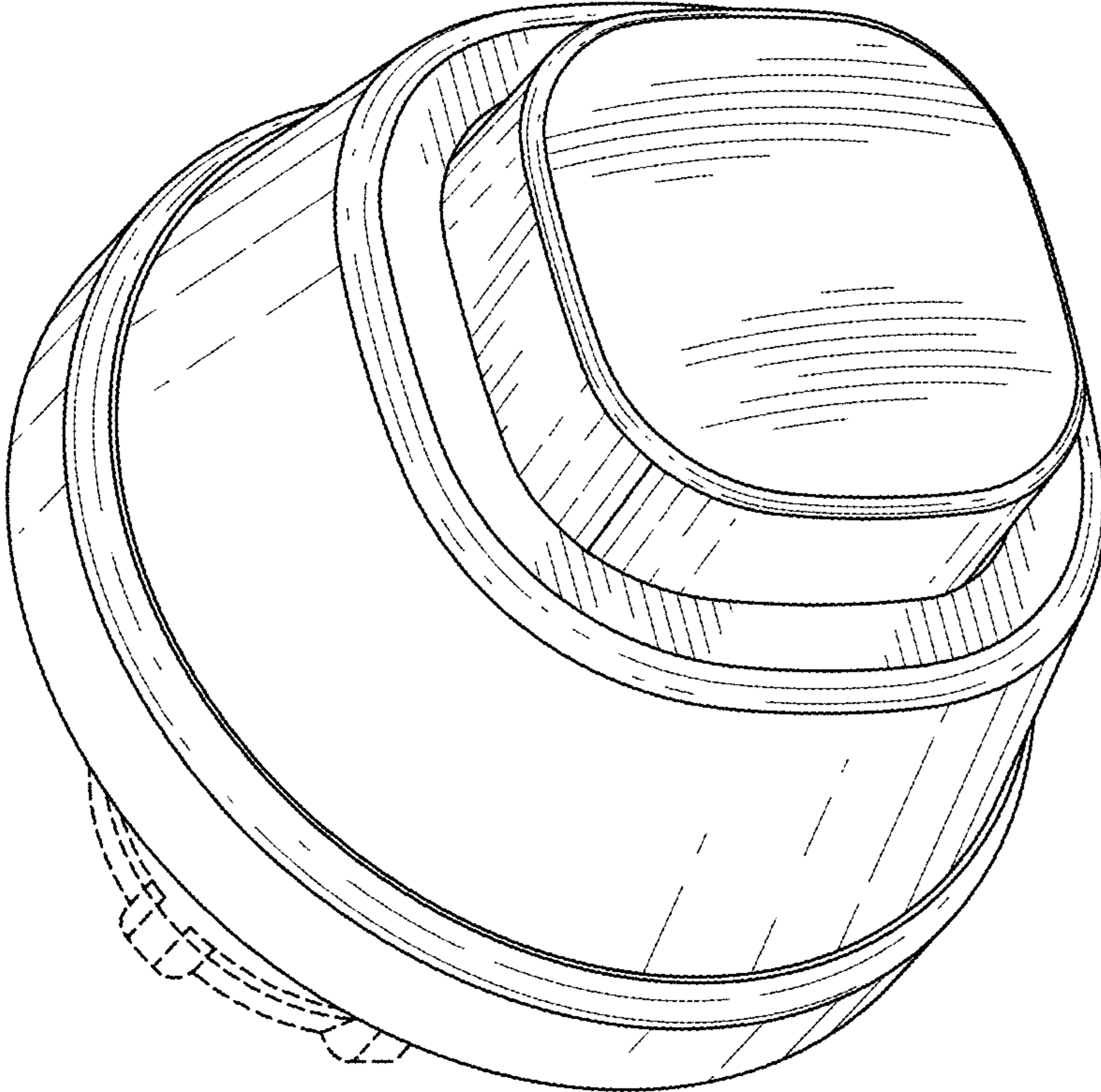


FIG. 2

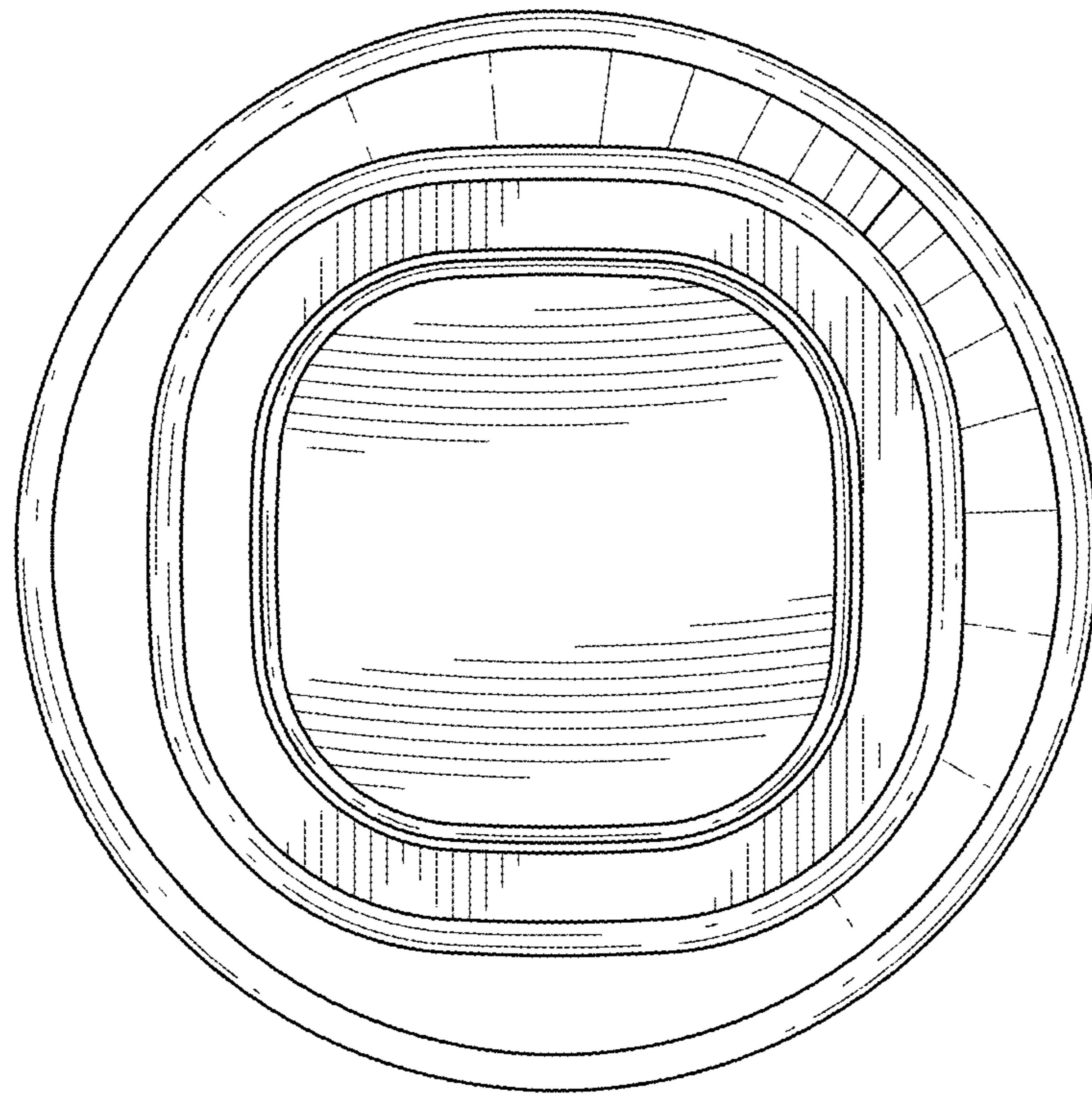


FIG. 3

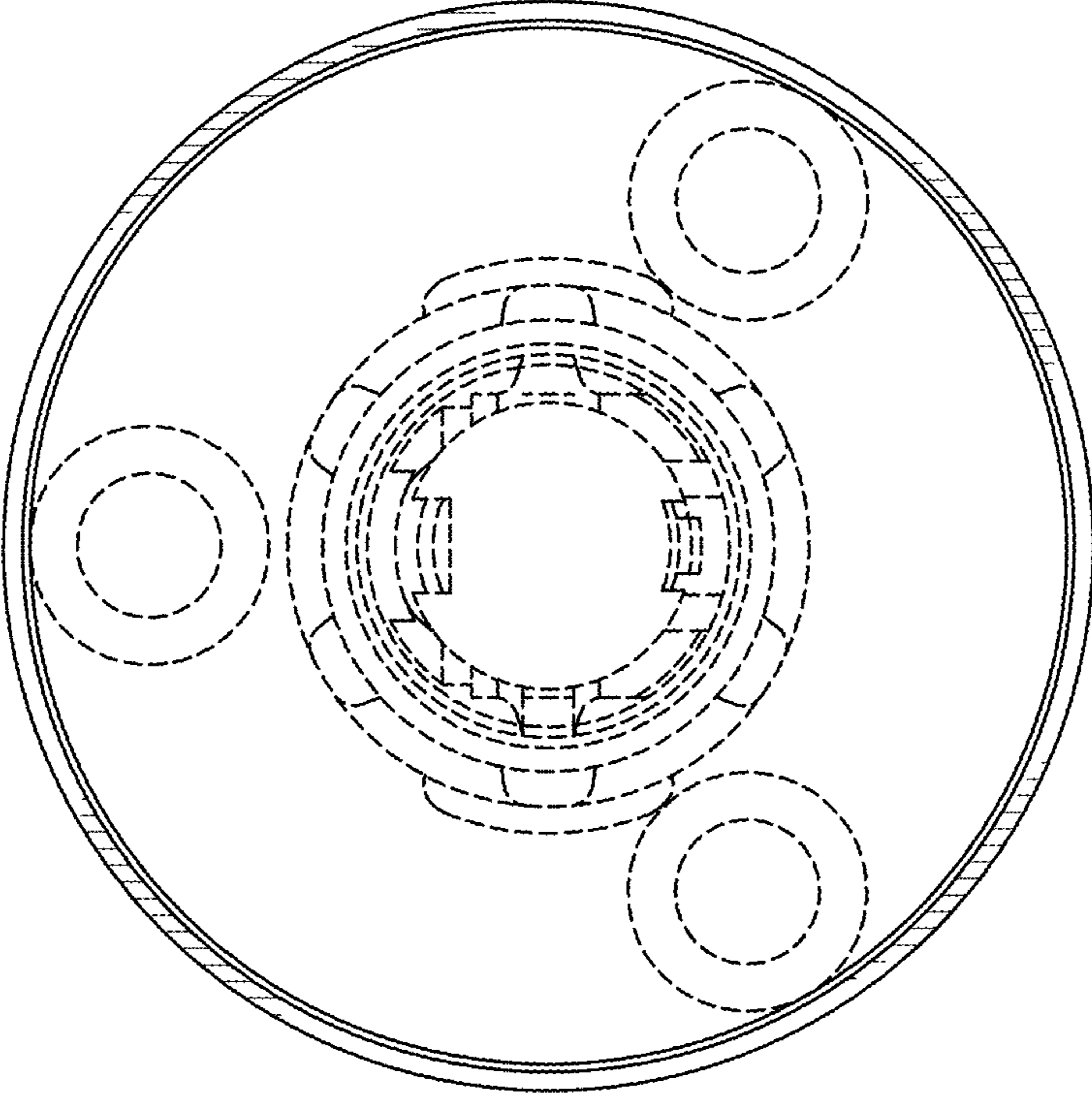


FIG. 4

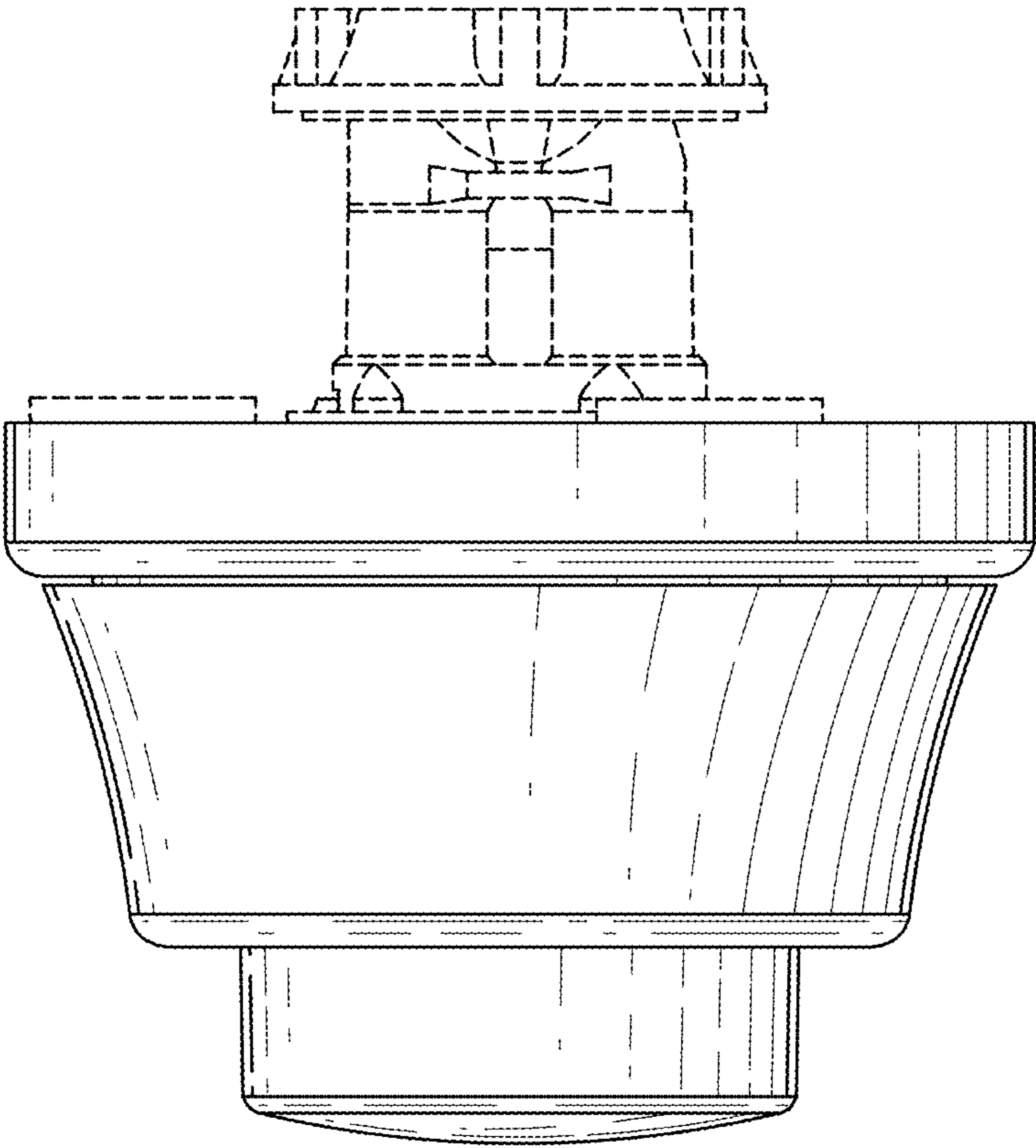


FIG. 5

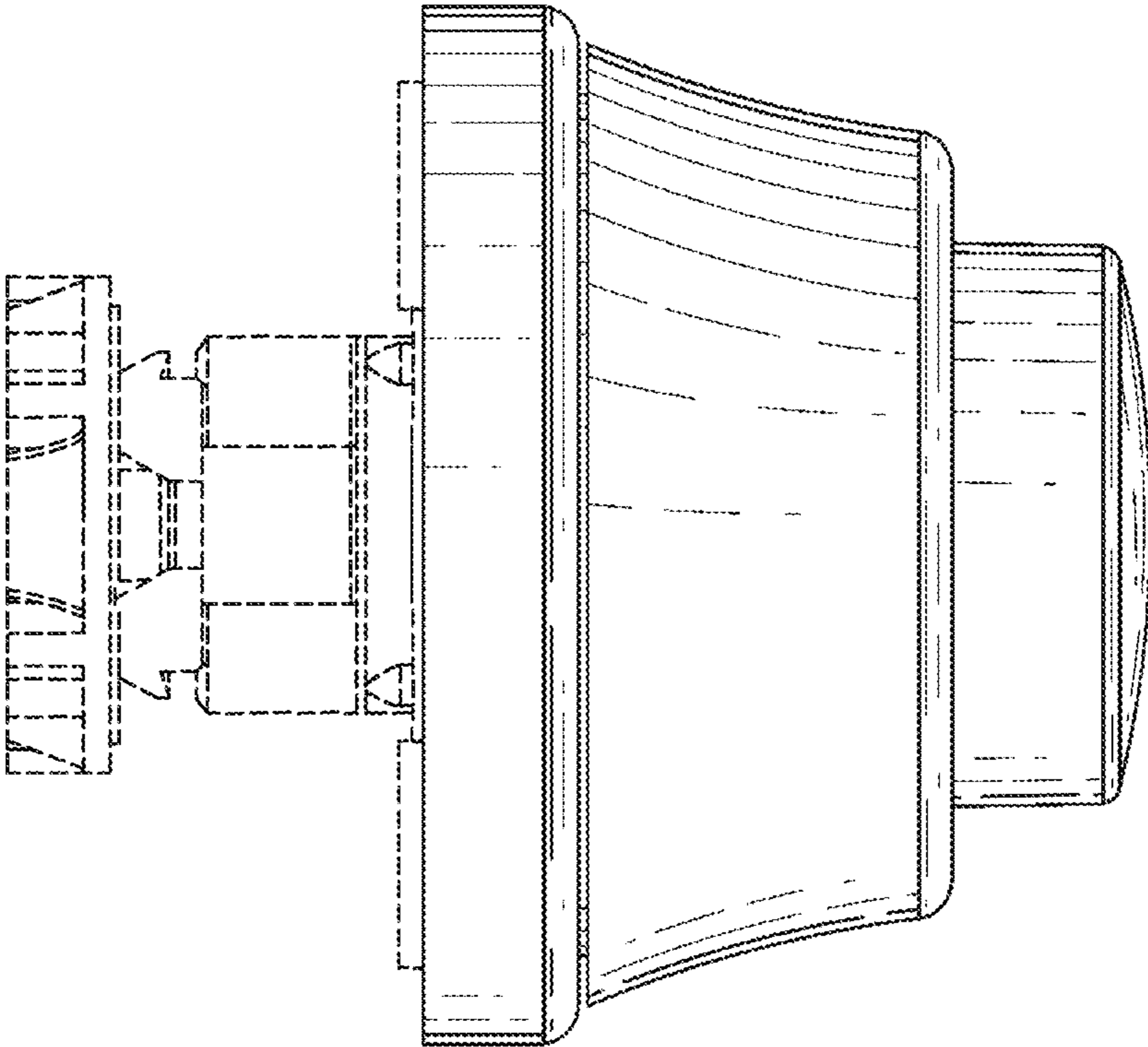


FIG. 6