



US00D887995S

(12) **United States Design Patent**
Kondo et al.

(10) **Patent No.:** **US D887,995 S**
(45) **Date of Patent:** **** Jun. 23, 2020**

(54) **FUSE**
(71) Applicant: **PACIFIC ENGINEERING CORP.**,
Ogaki-shi (JP)
(72) Inventors: **Daiji Kondo**, Ogaki (JP); **Masashi**
Matsuoka, Ogaki (JP)
(73) Assignee: **PACIFIC ENGINEERING CORP.**,
Ogaki-Shi (JP)
(**) Term: **15 Years**

D558,150 S * 12/2007 Yang D13/161
D559,203 S * 1/2008 Harris, IV D13/161
D575,745 S * 8/2008 Beckert D13/161
D580,887 S * 11/2008 Beckert D13/161
7,592,892 B2 * 9/2009 Ito H01H 85/045
337/159
D671,504 S * 11/2012 Andoh D13/161
D695,233 S * 12/2013 Kobayashi D13/161
D697,034 S * 1/2014 Kobayashi D13/161
D761,210 S * 7/2016 Iwata D13/161
D862,397 S * 10/2019 Sakai D13/161
2015/0102895 A1 * 4/2015 Kondo H01H 85/175
337/186

(21) Appl. No.: **35/506,701**
(22) Filed: **Oct. 29, 2018**

* cited by examiner

Primary Examiner — Rhea Shields
(74) *Attorney, Agent, or Firm* — Caesar Rivise, PC

(80) **Hague Agreement Data**
Int. Filing Date: **Oct. 29, 2018**
Int. Reg. No.: **DM/103759**
Int. Reg. Date: **Oct. 29, 2018**
Int. Reg. Pub. Date: **May 3, 2019**

(57) **CLAIM**

The ornamental design for a fuse, as shown and described.

(30) **Foreign Application Priority Data**

Jun. 4, 2018 (JP) 2018-012219

(51) **LOC (12) Cl.** **13-03**

(52) **U.S. Cl.**
USPC **D13/161**

(58) **Field of Classification Search**
USPC D13/107, 108, 110, 147, 139.1–139.8,
D13/103, 137.1–137.2; D14/358
CPC H01H 85/175; H01H 85/045; H01H
85/0417; H02H 1/0015
See application file for complete search history.

DESCRIPTION

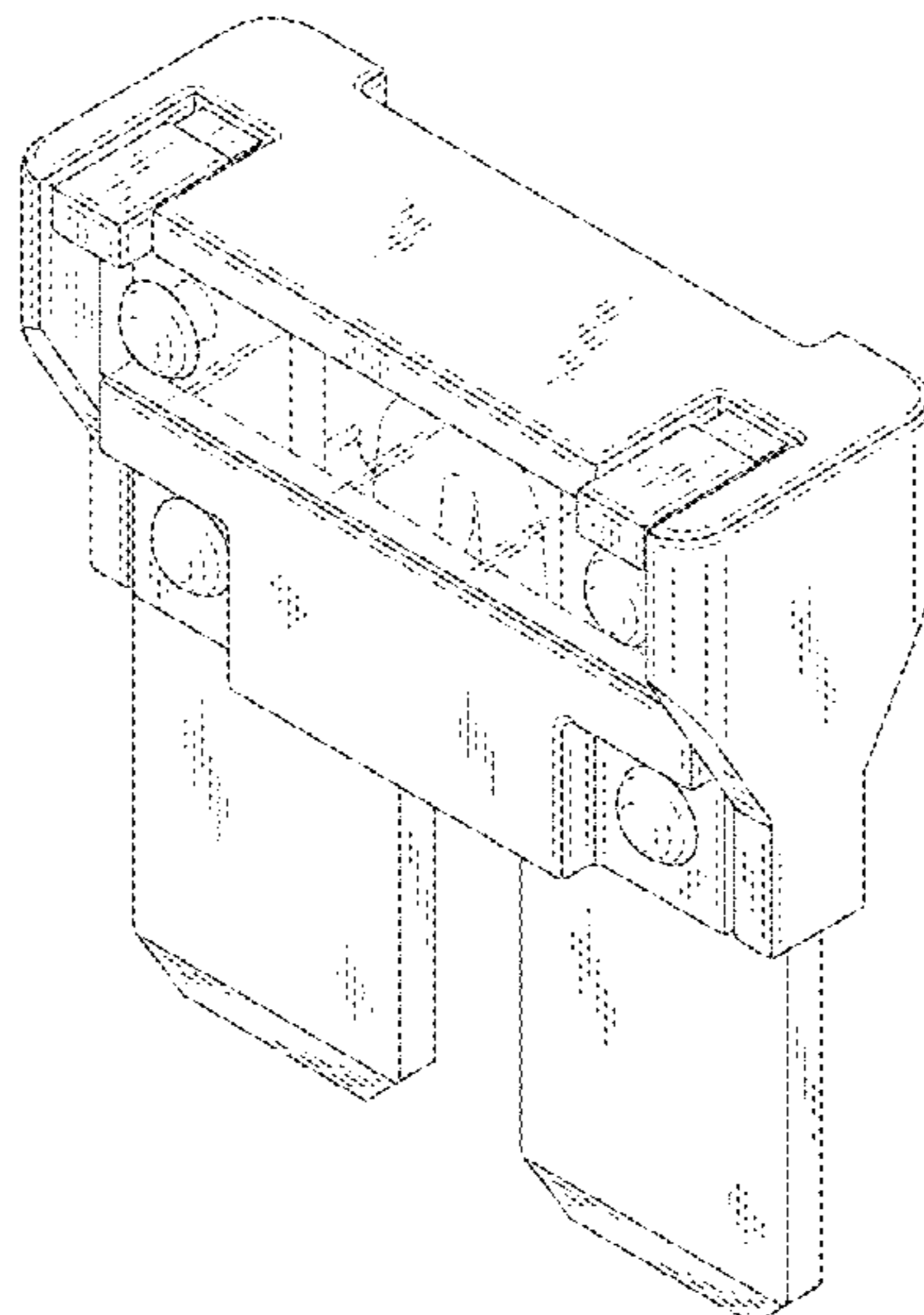
- 1. Fuse
- 1.1 : Perspective
- 1.2 : Front
- 1.3 : Back
- 1.4 : Top
- 1.5 : Bottom
- 1.6 : Right
- 1.7 : Cross-sectional
- 1.8 : Cross-sectional

The fine lines on the surface of the article depict three-dimensional shape of the surface; the diagonal surface shading lines indicate that a plate part provided at the front side is transparent; FIG. 1.7 is a cross-sectional view cut vertically at the center of the front view; FIG. 1.8 is a cross-sectional view cut horizontally at the center of the top view; the left view is omitted since it is symmetrical to the right view.

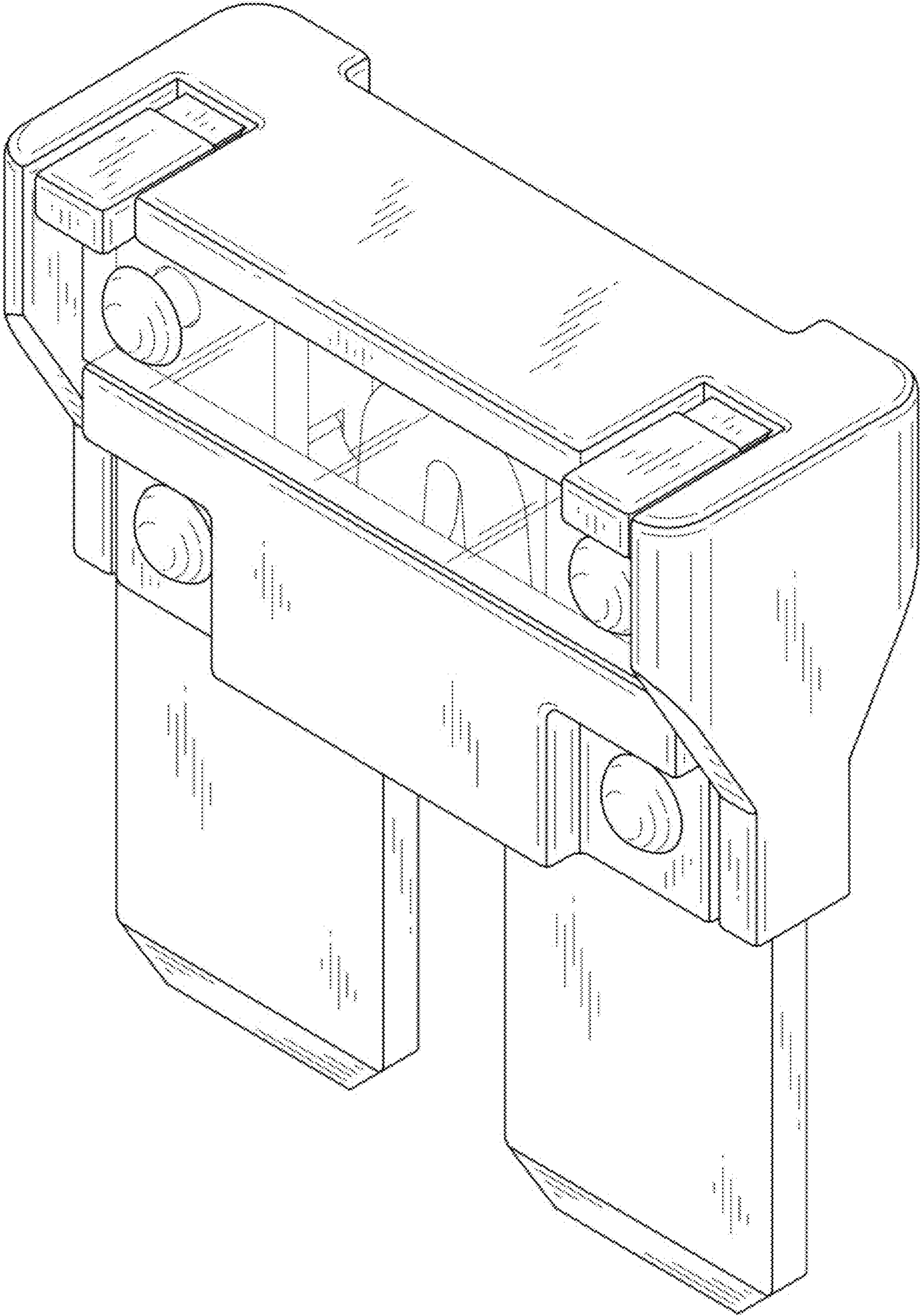
(56) **References Cited**
U.S. PATENT DOCUMENTS

6,608,546 B2 * 8/2003 Andoh H01H 85/0417
337/142
7,050,281 B2 * 5/2006 Ohta H02H 1/0015
361/104

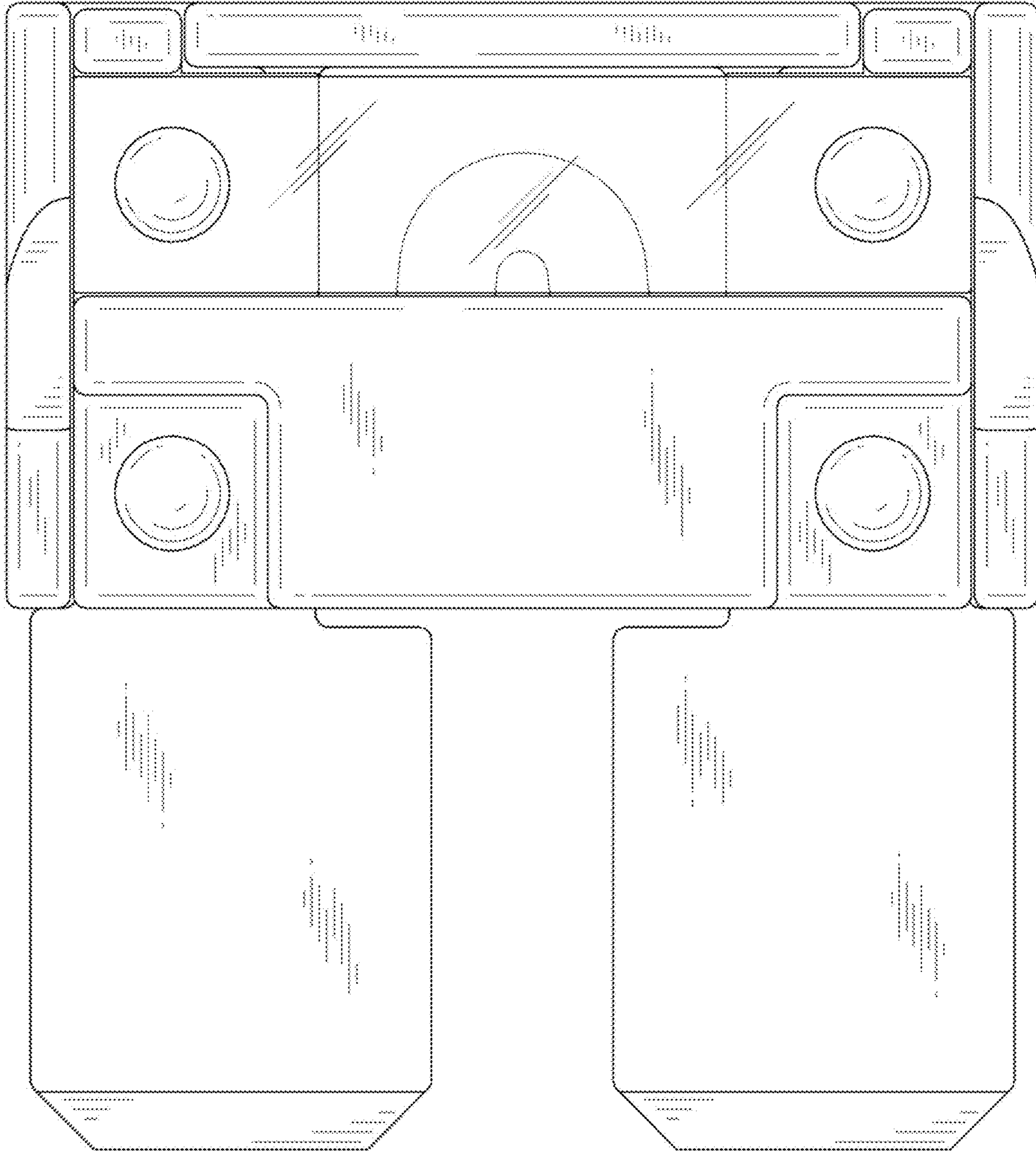
1 Claim, 8 Drawing Sheets



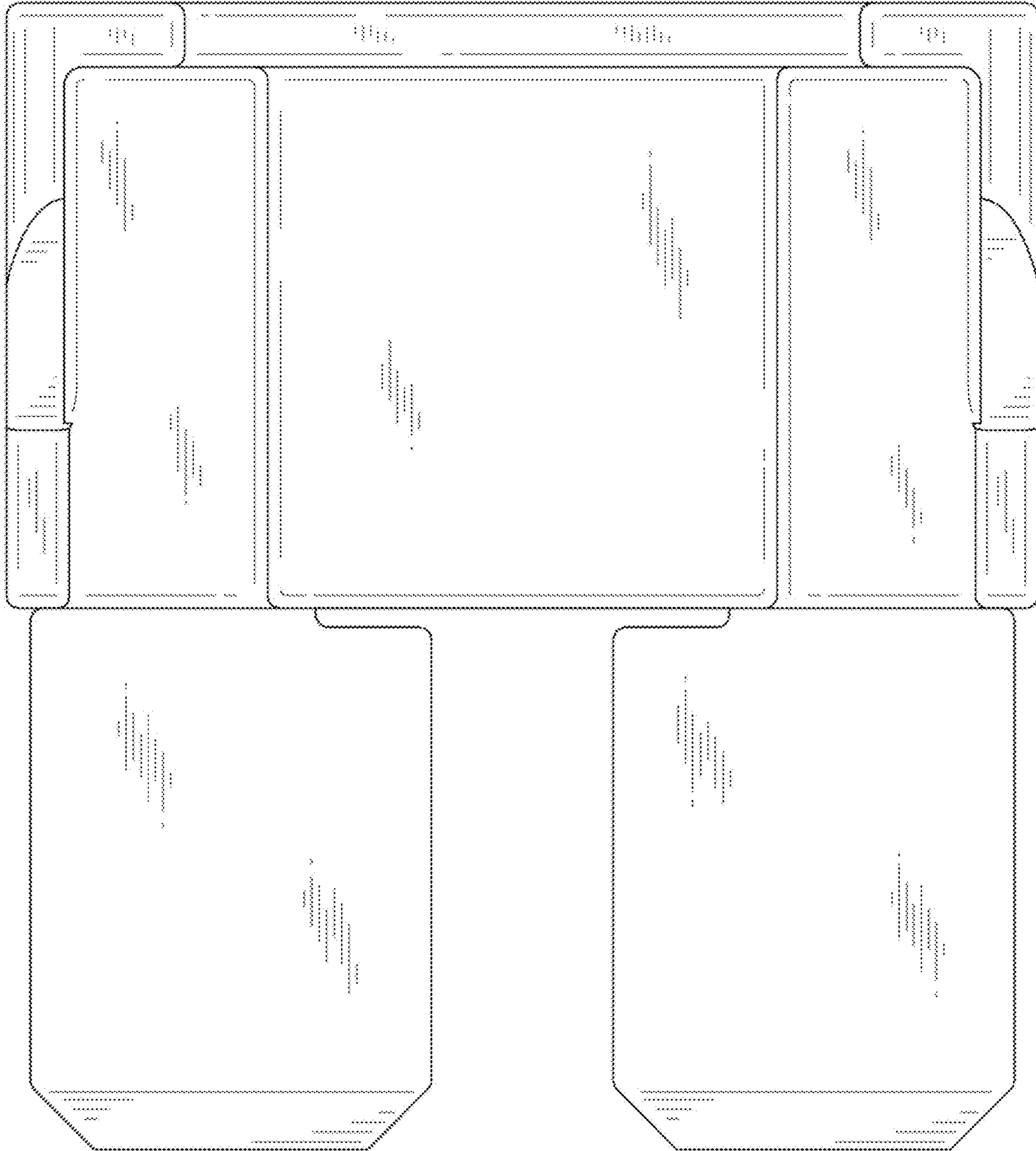
1.1



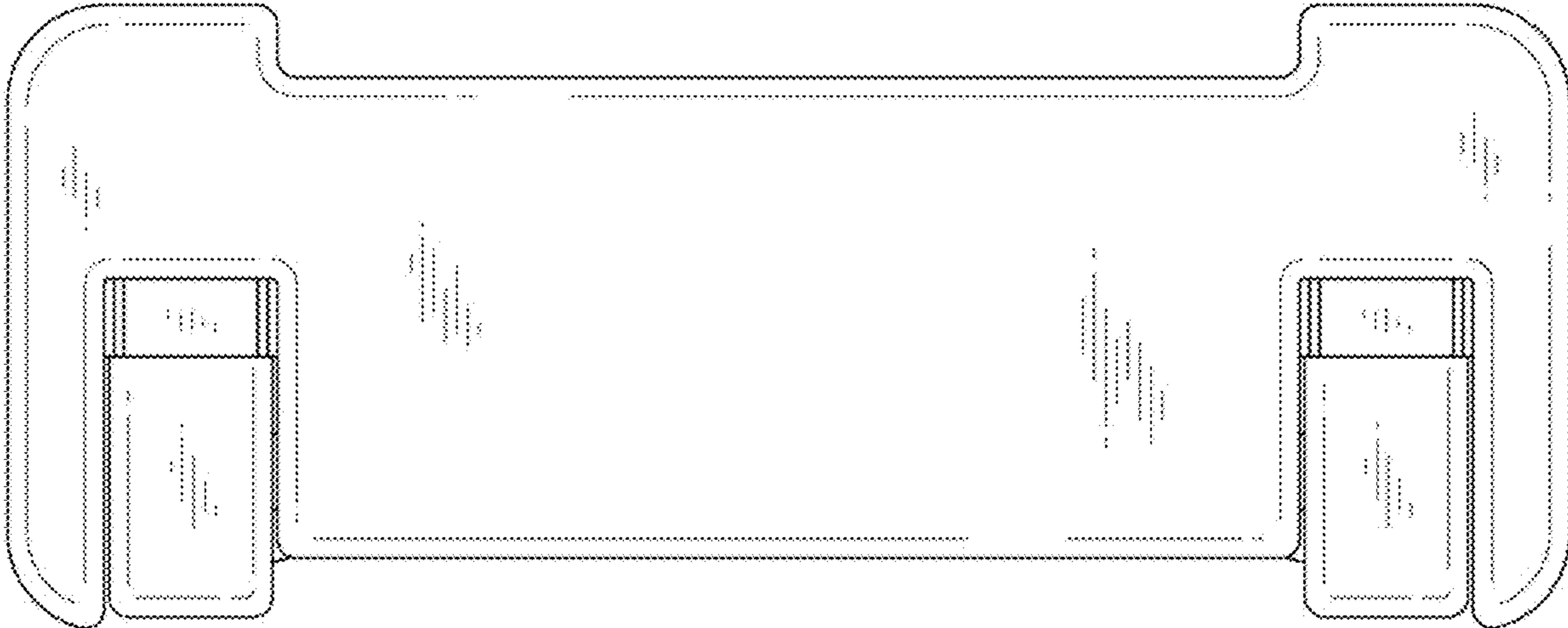
1.2



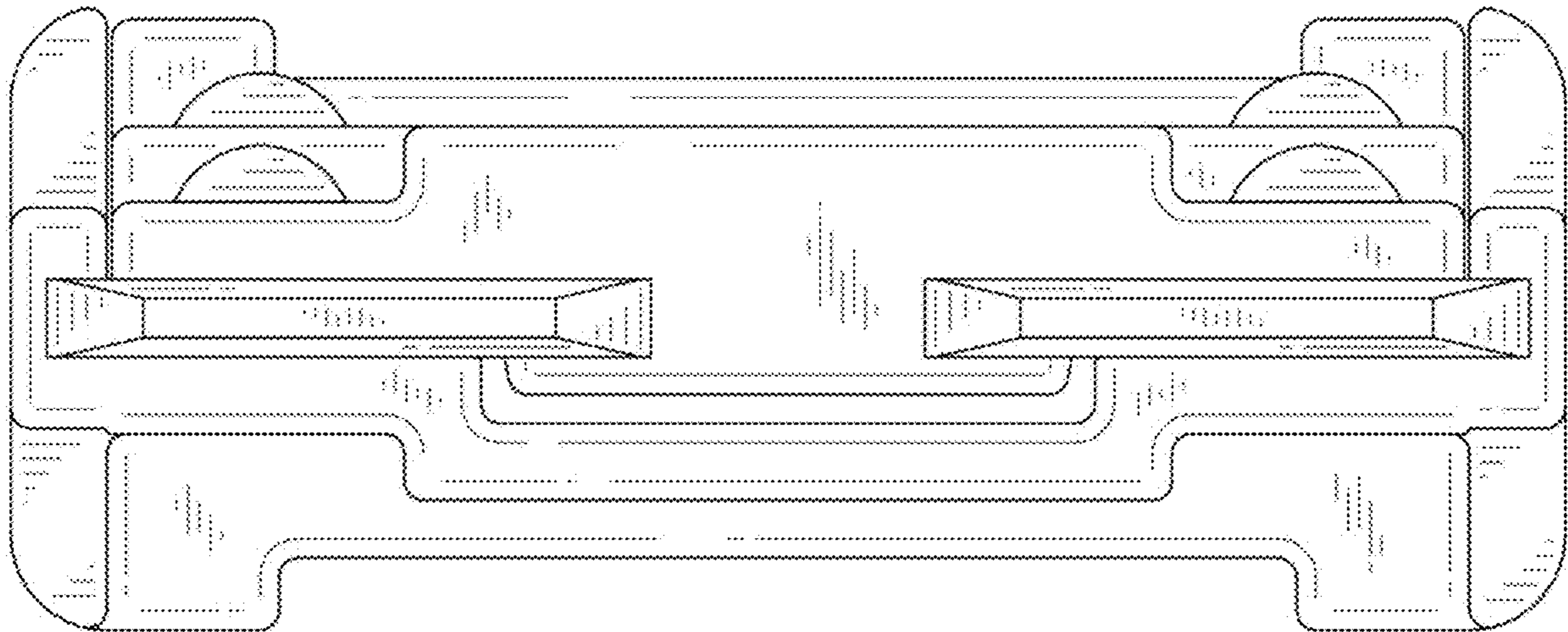
1.3



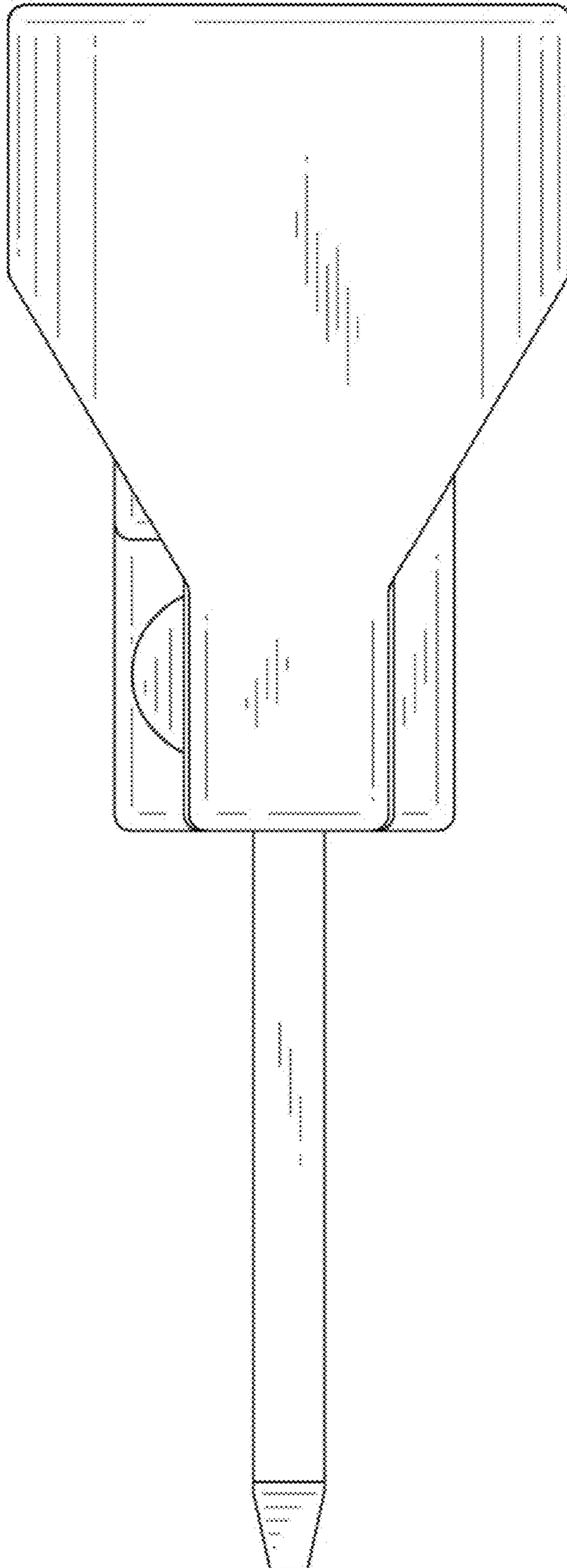
1.4



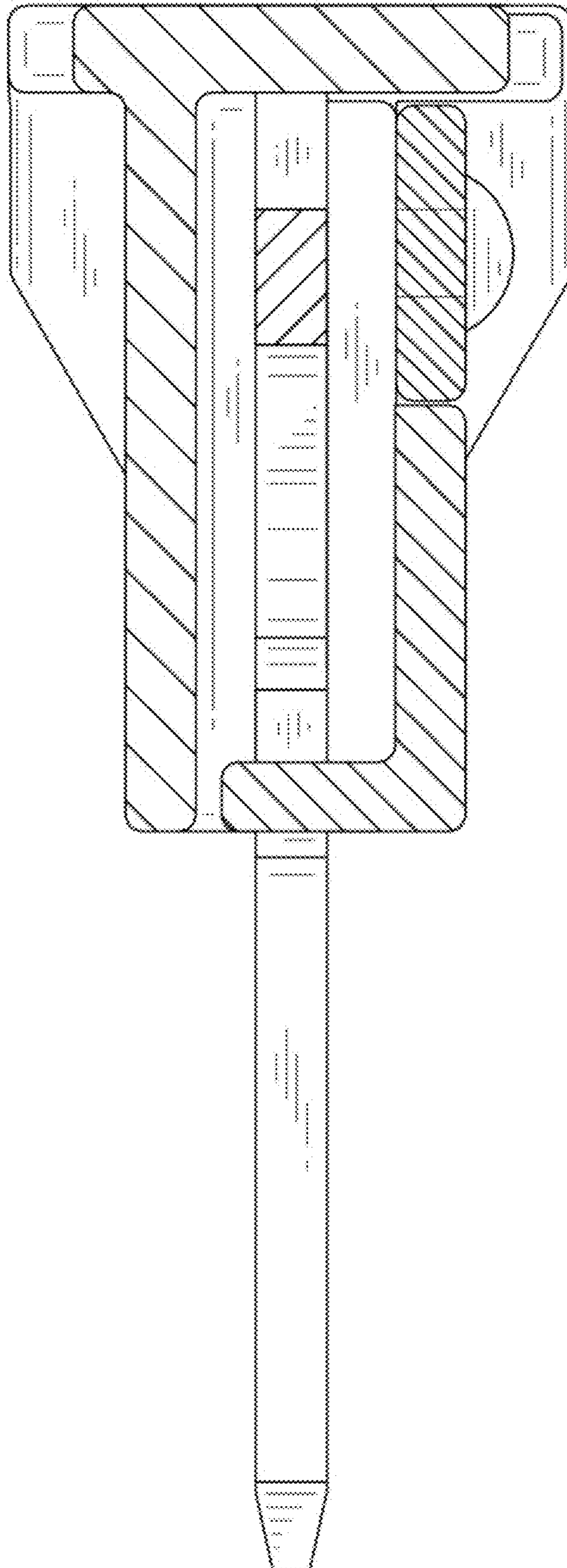
1.5



1.6



1.7



1.8

