



US00D887993S

(12) **United States Design Patent** (10) **Patent No.:** **US D887,993 S**  
**DeCastro, Jr. et al.** (45) **Date of Patent:** **\*\* Jun. 23, 2020**

(54) **HUB FOR MEDICAL FIBER CONNECTOR DEVICES**

(71) Applicant: **Boston Scientific Scimed, Inc.**, Maple Grove, MN (US)

(72) Inventors: **Glenn DeCastro, Jr.**, Santa Clara, CA (US); **Wen-Jui Ray Chia**, Sunnyvale, CA (US); **Steven Yihlih Peng**, Fremont, CA (US); **Adam Nodiff**, Southborough, MA (US)

(73) Assignee: **Boston Scientific Scimed, Inc.**, Maple Grove, MN (US)

(\*\*) Term: **15 Years**

(21) Appl. No.: **29/649,042**

(22) Filed: **May 25, 2018**

(51) **LOC (12) Cl.** ..... **13-03**

(52) **U.S. Cl.**  
USPC ..... **D13/155**

(58) **Field of Classification Search**  
USPC ..... D13/133, 146, 147, 151, 153, 154, 155, D13/156; D3/208; D8/349, 382, 394, D8/396; D11/11, 79; D19/203; D23/259, 260, 262  
CPC .... B65H 75/36; H01R 13/5845; H01R 13/72; H01R 31/06; H01R 11/00; H04M 1/15; F16G 11/14; D06F 55/00; H02M 2001/0009; F02C 7/28  
See application file for complete search history.

(56) **References Cited**

**U.S. PATENT DOCUMENTS**

- 6,095,956 A \* 8/2000 Huang ..... A63B 21/0004 248/56
- D451,371 S \* 12/2001 Borotto ..... D8/395
- D577,990 S \* 10/2008 Andre ..... D14/205
- D599,299 S \* 9/2009 Parnapy ..... D13/151
- D629,803 S \* 12/2010 St. Ives ..... D14/396
- D679,581 S \* 4/2013 Liu ..... D8/395

- D701,840 S \* 4/2014 Kazakia ..... D13/155
- D752,955 S \* 4/2016 Rowan ..... D8/356
- D775,937 S \* 1/2017 Davis ..... D8/356
- 9,828,724 B2 \* 11/2017 Kindstrand ..... D07B 1/18
- D836,561 S \* 12/2018 Hung ..... D13/155
- 2015/0096159 A1 \* 4/2015 Cawood ..... H01R 4/183 29/235
- 2015/0233446 A1 \* 8/2015 Disantis ..... F16G 11/02 29/428

**OTHER PUBLICATIONS**

The Pencil Grip Original Universal Ergonomic Writing Aid, The Pencil Grip, first available on Feb. 10, 2009 on amazon.com, retrieved on Jun. 2, 2019, retrieved from the Internet URL: [https://www.amazon.com/Pencil-Grip-Universal-Ergonomic-TPG-11106/dp/B001SN8HOY/ref=sr\\_1\\_4?keywords=pencil+gripper&qid=1559486344&s=gatwa](https://www.amazon.com/Pencil-Grip-Universal-Ergonomic-TPG-11106/dp/B001SN8HOY/ref=sr_1_4?keywords=pencil+gripper&qid=1559486344&s=gatwa).\*

\* cited by examiner

*Primary Examiner* — Jennifer Rivard  
*Assistant Examiner* — Alison M Ofstun  
(74) *Attorney, Agent, or Firm* — Bookoff McAndrews, PLLC

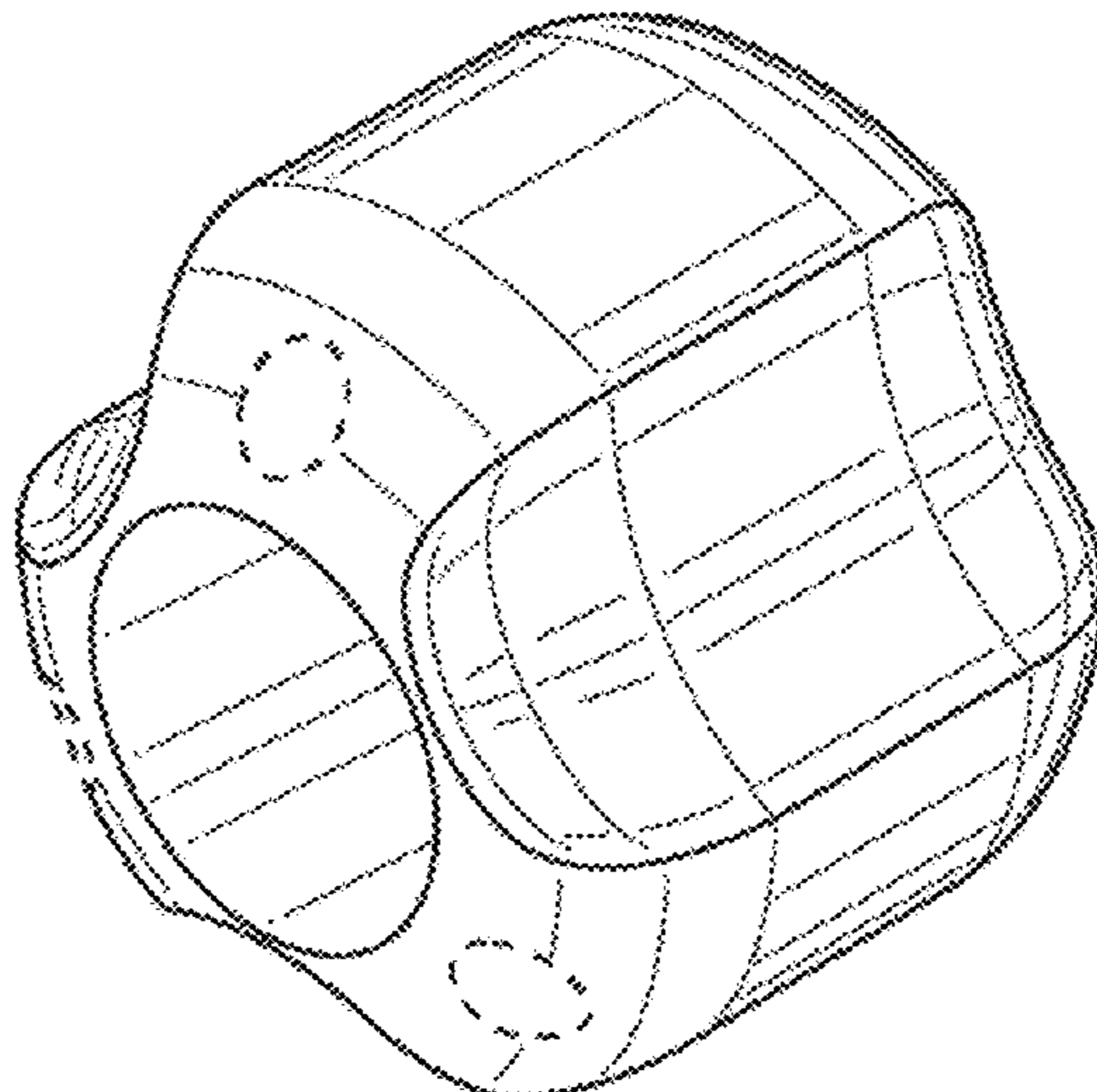
(57) **CLAIM**

We claim the ornamental design for a hub for medical fiber connector devices, as shown and described.

**DESCRIPTION**

FIG. 1 is a perspective view of a hub for medical fiber connector devices, showing our new design;  
FIG. 2 is a front view thereof;  
FIG. 3 is a back view thereof;  
FIG. 4 is a top view thereof;  
FIG. 5 is a side view thereof, the opposite side being a mirror image thereof; and,  
FIG. 6 is a bottom view thereof.  
In the drawings, the broken lines represent portions of the article which form no part of the claimed design.

**1 Claim, 1 Drawing Sheet**



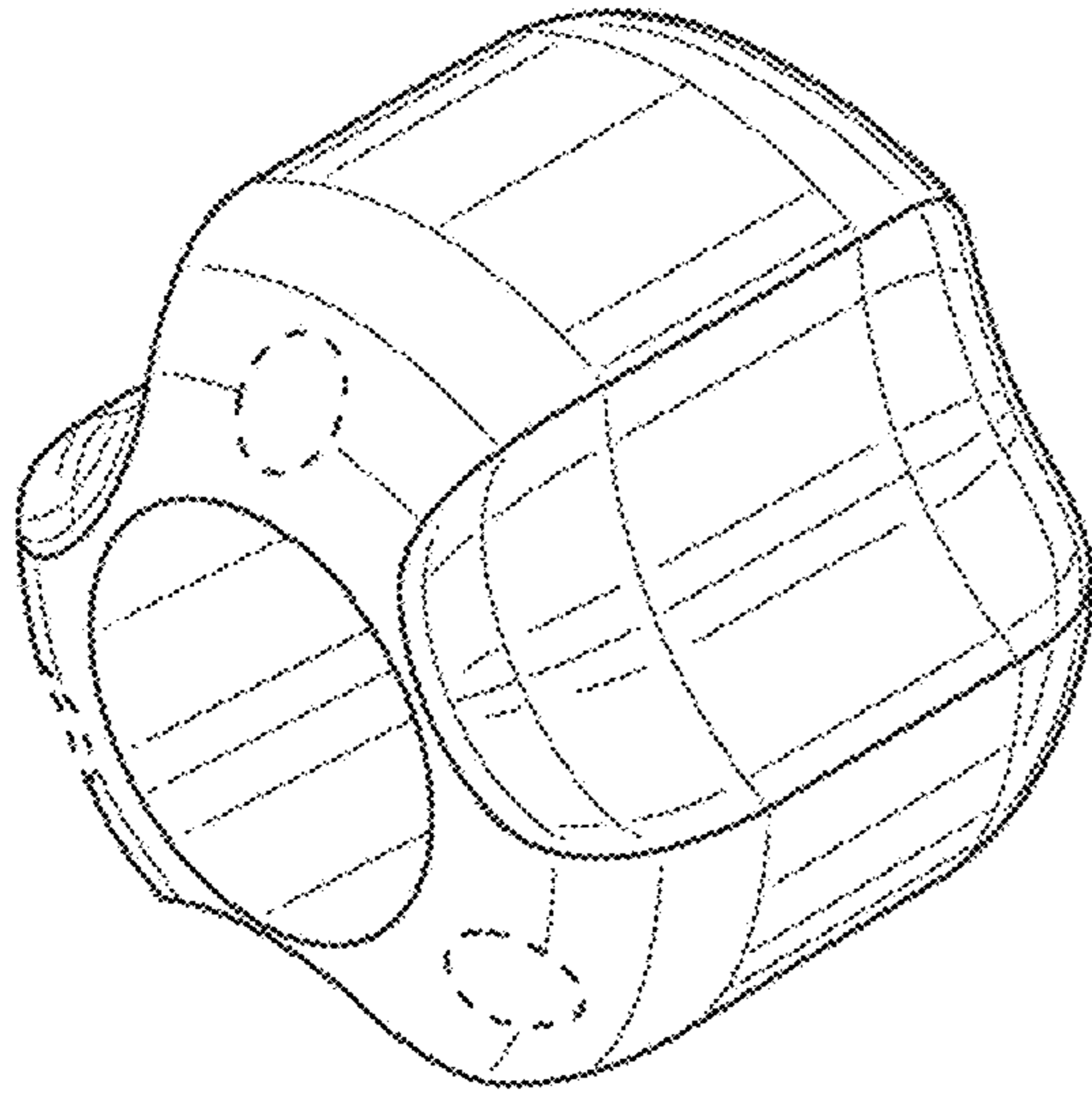


FIG. 1

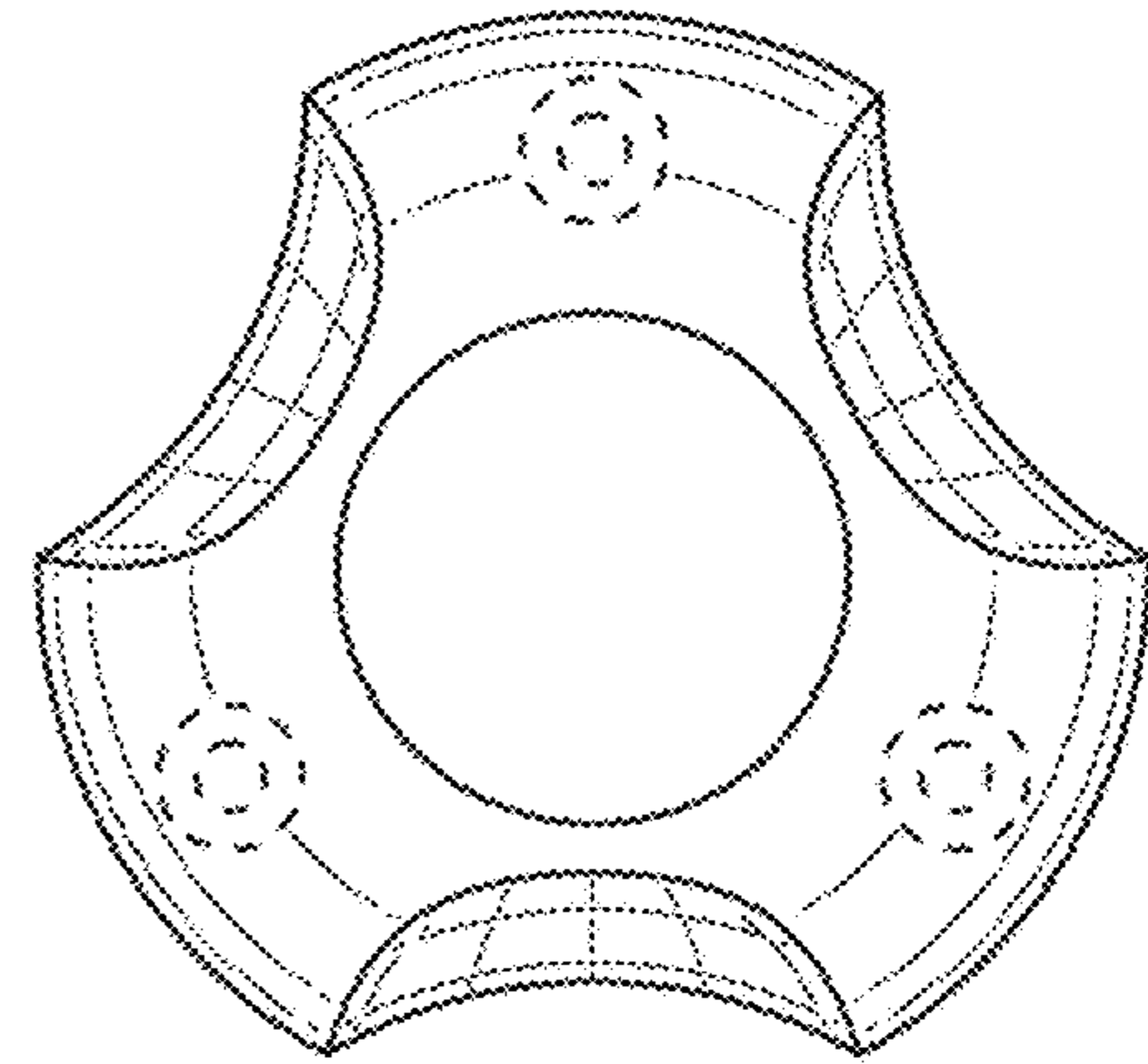


FIG. 2

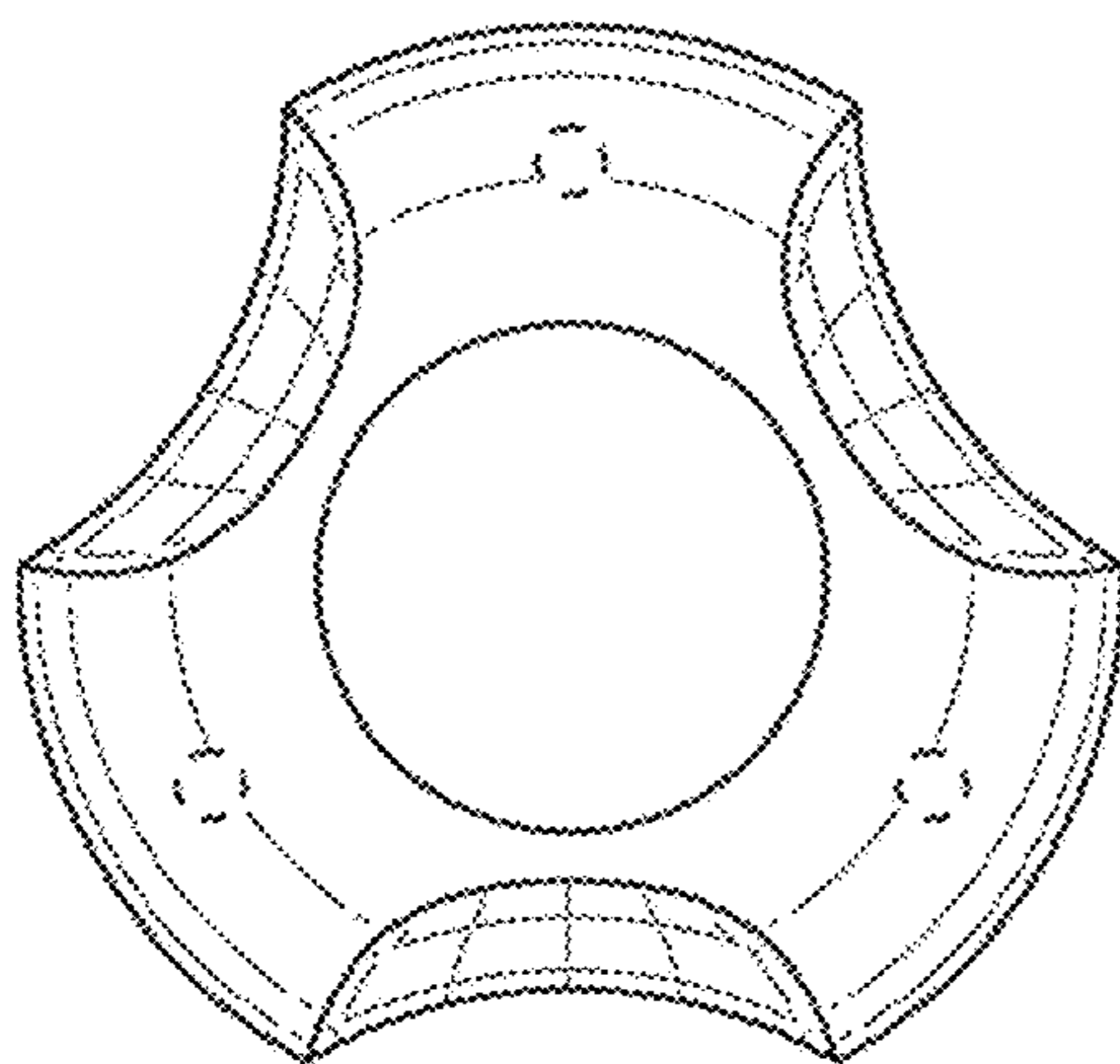


FIG. 3

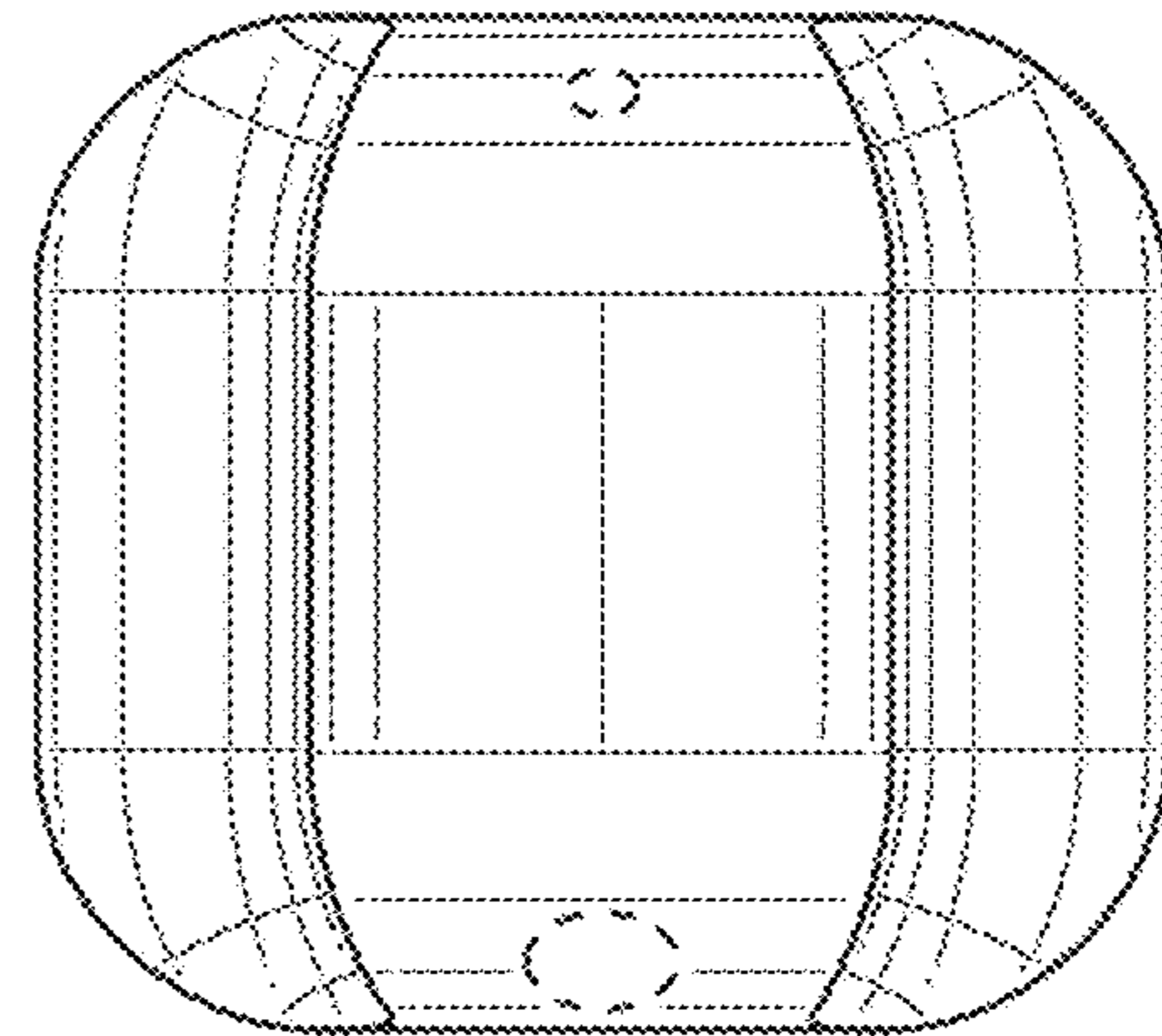


FIG. 4

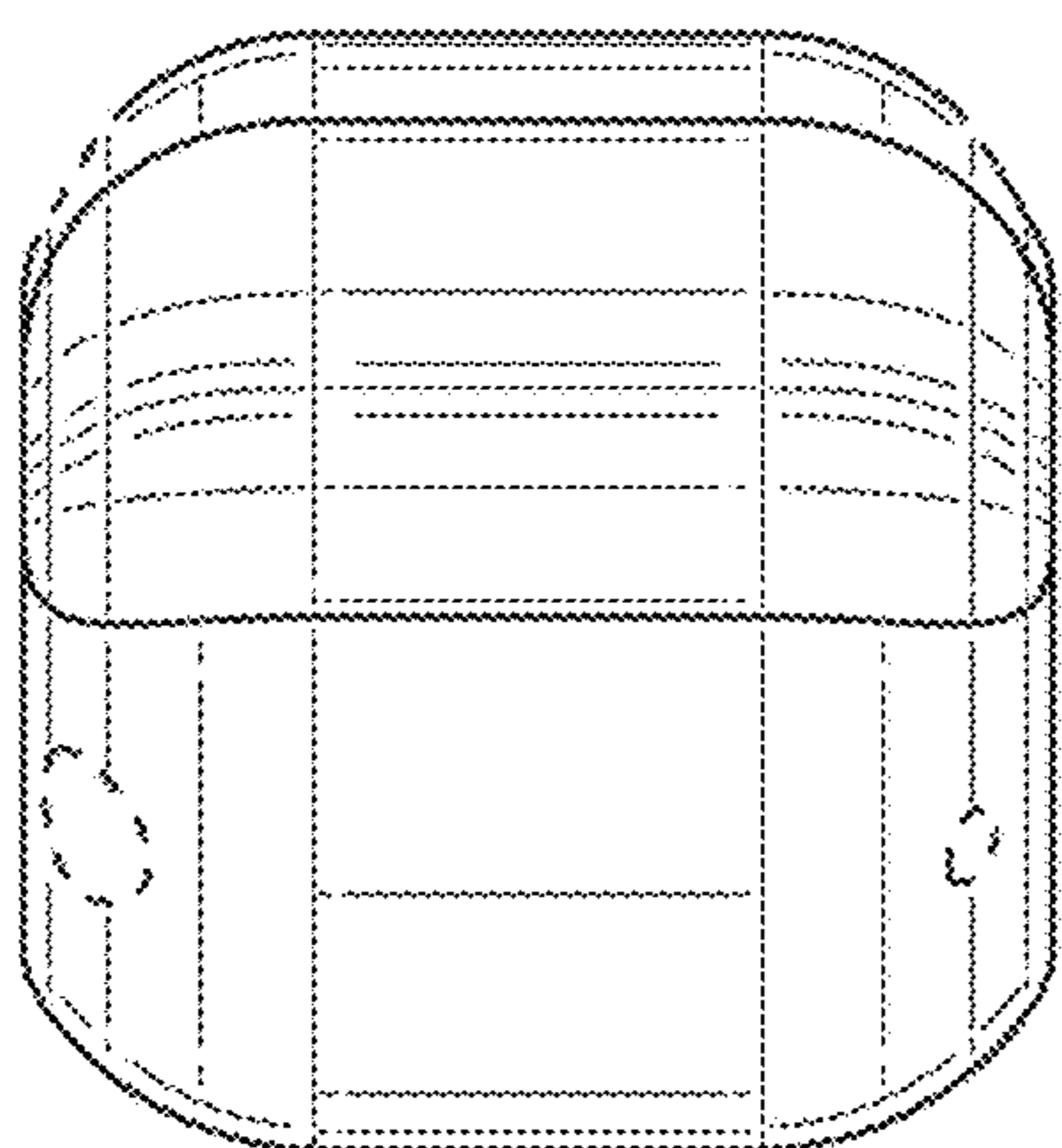


FIG. 5

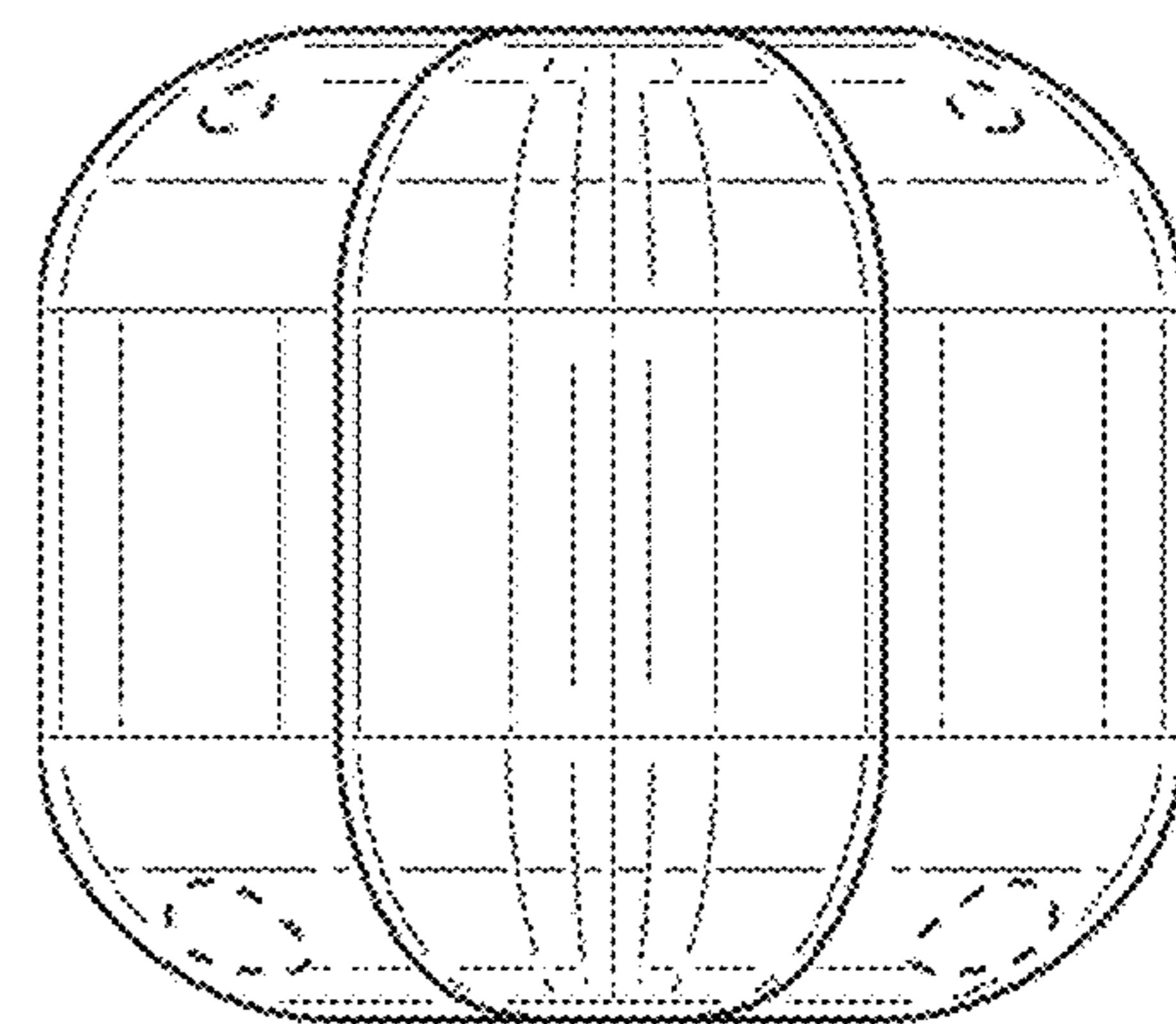


FIG. 6