



US00D887989S

(12) **United States Design Patent**
Birgers et al.

(10) **Patent No.:** **US D887,989 S**
(45) **Date of Patent:** **** *Jun. 23, 2020**

- (54) **HANKED CABLE**
- (75) Inventors: **Christopher J. Birgers**, Cupertino, CA (US); **Michael Joseph Solomon**, Foster City, CA (US); **Charles Werley**, San Jose, CA (US)
- (73) Assignee: **Apple Inc.**, Cupertino, CA (US)
- (*) Notice: This patent is subject to a terminal disclaimer.
- (**) Term: **14 Years**
- (21) Appl. No.: **29/409,740**
- (22) Filed: **Dec. 28, 2011**
- (51) **LOC (12) Cl.** **13-03**
- (52) **U.S. Cl.**
USPC **D13/153**
- (58) **Field of Classification Search**
USPC D13/133, 138.1, 139.1, 152, 153, 154, D13/156, 157, 123, 168, 147; D14/184, D14/199, 205, 28, 238.12, 433; 439/892, 439/894, 901; 379/431; D20/22; D9/415, 702, 711, 713, 715, 430, 600, D9/414, 419, 434, 452; 102/202.12; 28/180; 206/388; 242/472.5, 401; 100/31, 16; 165/132; D3/273; 239/129; 138/137, 128
CPC F42B 39/30; D06B 3/04; B65D 75/05; B65D 85/04; B65B 63/06; A01J 9/04; B08B 9/04; F16L 11/121; B65H 49/305
See application file for complete search history.

- 4,253,289 A * 3/1981 Cole B65B 63/06
242/472.5
- 4,375,186 A * 3/1983 Gudmestad B65B 63/06
100/31
- 4,406,109 A * 9/1983 Butler B65B 63/06
242/472.5
- 5,129,514 A * 7/1992 Lilley, Jr. B65D 85/04
102/202.12
- 5,311,721 A * 5/1994 Urchaga B65B 63/06
100/16

(Continued)

FOREIGN PATENT DOCUMENTS

JP 1402126 S 11/2010

OTHER PUBLICATIONS

[http://www.dhgate.com/store/product/8pin-to-usb-2-0-charging-sync-date-cable/15741-14 . . . *](http://www.dhgate.com/store/product/8pin-to-usb-2-0-charging-sync-date-cable/15741-14...)

(Continued)

Primary Examiner — Rhea Shields
(74) *Attorney, Agent, or Firm* — Sterne, Kessler, Goldstein & Fox P.L.L.C.

(57) **CLAIM**

The ornamental design for a hanked cable, as shown and described.

DESCRIPTION

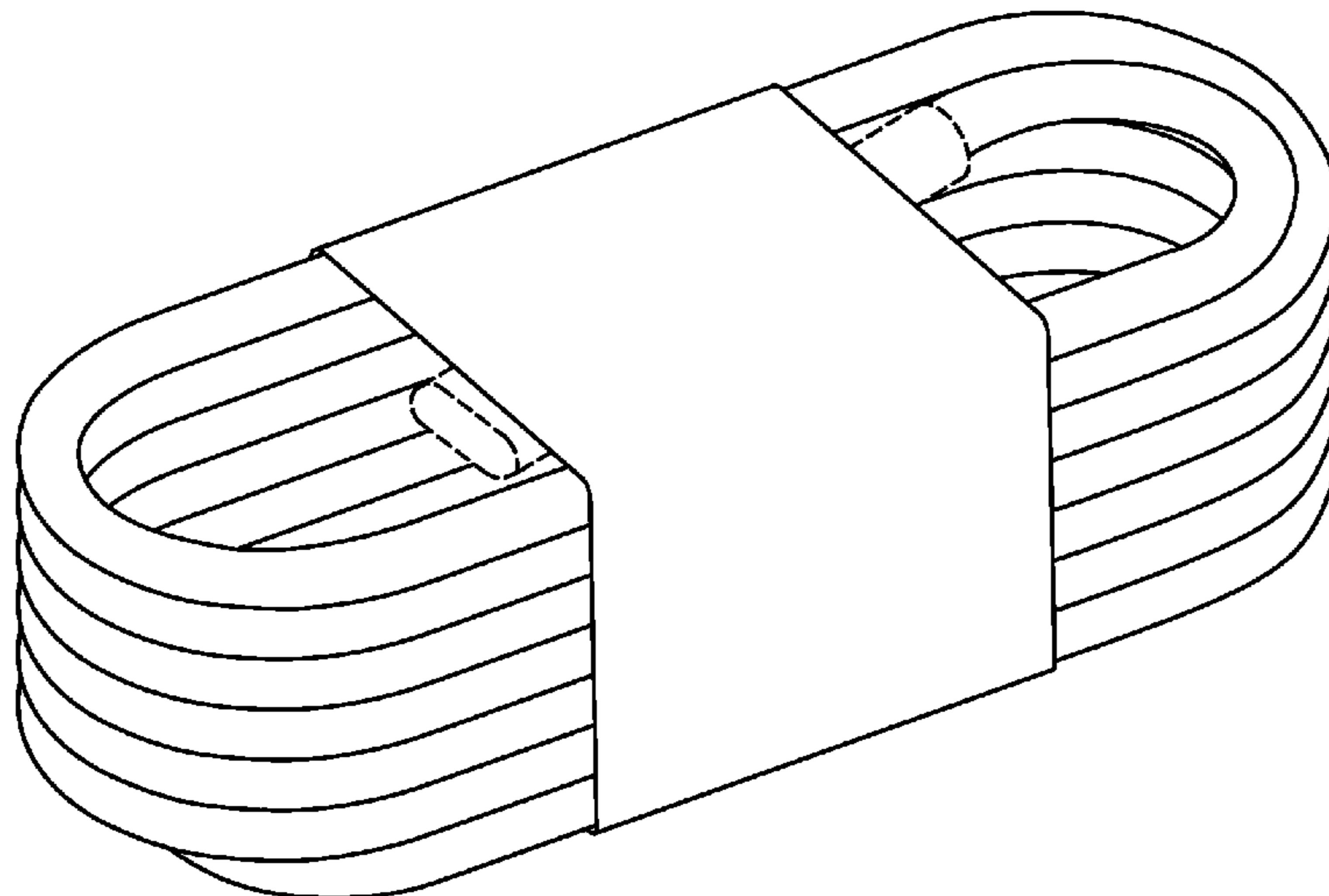
FIG. 1 is a front perspective view of a hanked cable showing the claimed design;
FIG. 2 is a top view thereof;
FIG. 3 is a bottom view thereof;
FIG. 4 is a front view thereof;
FIG. 5 is a rear view thereof;
FIG. 6 is a right side view thereof; and,
FIG. 7 is a left side view thereof.
The broken lines in the drawings show portions of the hanked cable that form no part of the claimed design.

1 Claim, 4 Drawing Sheets

(56) **References Cited**

U.S. PATENT DOCUMENTS

- 2,393,221 A * 1/1946 Mercer F42B 39/30
102/202.12
- 3,681,824 A * 8/1972 Yasuji D06B 3/04
28/180
- 3,796,304 A * 3/1974 Blais B65D 75/02
206/388



(56)

References Cited

U.S. PATENT DOCUMENTS

5,320,163 A * 6/1994 Stoodley A01J 9/04
 165/132
 D357,668 S * 4/1995 Lucey D13/153
 D374,174 S * 10/1996 McClellan D13/154
 D391,572 S 3/1998 Lee
 D506,744 S 6/2005 Andre et al.
 D534,065 S * 12/2006 Andre D14/205
 D552,465 S * 10/2007 Ringo D3/273
 D577,990 S * 10/2008 Andre D14/205
 D578,067 S * 10/2008 Chen D13/123
 D581,371 S * 11/2008 Richmond D13/168
 D586,753 S * 2/2009 Diamond D13/147
 D587,134 S * 2/2009 Caldwell D9/715
 D595,228 S * 6/2009 Huang D13/133
 D601,884 S * 10/2009 Andre D9/430
 D606,877 S * 12/2009 Grullon D9/600
 D654,638 S * 2/2012 LaCross D30/153
 D666,382 S * 9/2012 Kim D2/607
 D682,222 S * 5/2013 Crucitti D13/155
 D696,144 S * 12/2013 Akana D9/715
 D713,740 S * 9/2014 Akana D9/721
 D743,965 S * 11/2015 Laffon de Mazieres D13/154
 D751,993 S * 3/2016 Stewart D13/156

2010/0006668 A1* 1/2010 Alexander B08B 3/026
 239/129
 2011/0146829 A1* 6/2011 Coleman F16L 11/121
 138/137
 2011/0198430 A1* 8/2011 Rothell B65H 49/305
 242/401
 2011/0303317 A1* 12/2011 Montalvo F16L 11/082
 138/129

OTHER PUBLICATIONS

<http://www.directwireusa.com/Industrial/>. *
[http://image.made-in-china.com/2f0j00IKETQGDPIYk/Extension-Cord-Extension-Cable . . .](http://image.made-in-china.com/2f0j00IKETQGDPIYk/Extension-Cord-Extension-Cable...) *
 Industrial Wire., reference dated Apr. 11, 2013, found on the internet at—<http://www.directwireusa.com/Industrial/>. *
 “1M 3Ft Micro USB Sync . . .” reference dated Jun. 29, 2016, found on the internet at <http://www.dhgate.com/product/1m-8-30-pin-8pin-lightning-data-usb-charging/241861703.html#ctabBox>. *
 Jeremy Horwitz, Apple iPod Camera Connector, <http://www.ilounge.com/index.php/reviews/entry/apple-ipod-camera-connector-ipod/>, Mar. 31, 2005.
 Co-pending U.S. Appl. No. 29/408,999, Inventors Birgers et al., filed Dec. 19, 2011 (Not Published).

* cited by examiner

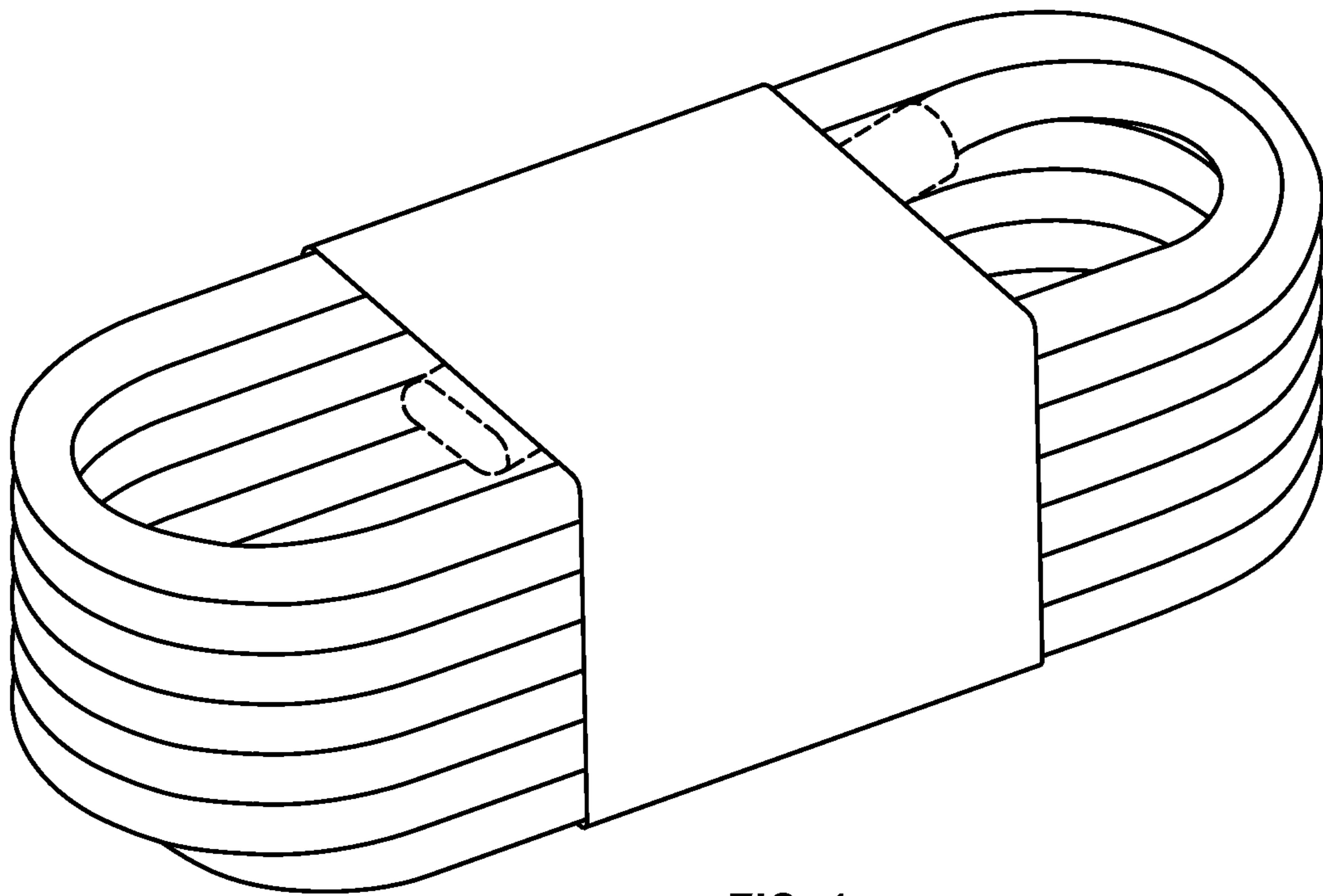


FIG. 1

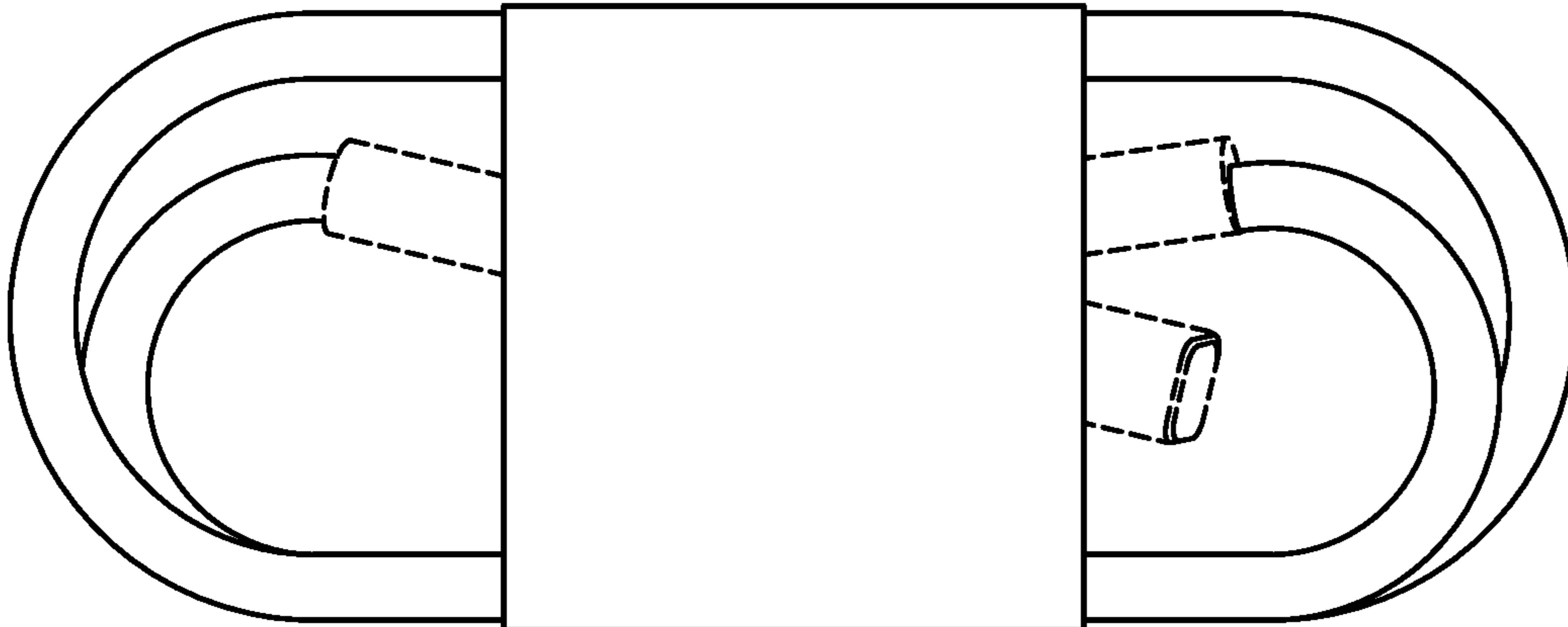


FIG. 2

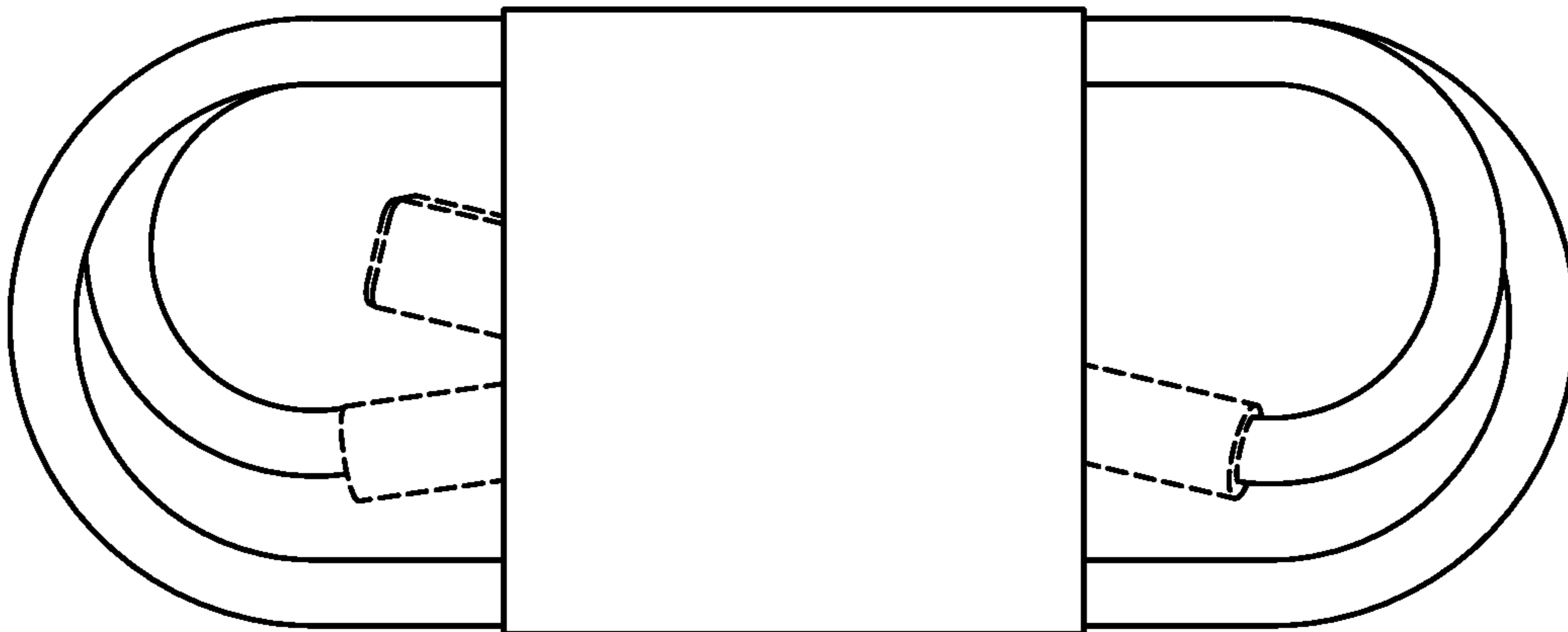


FIG. 3



FIG. 4

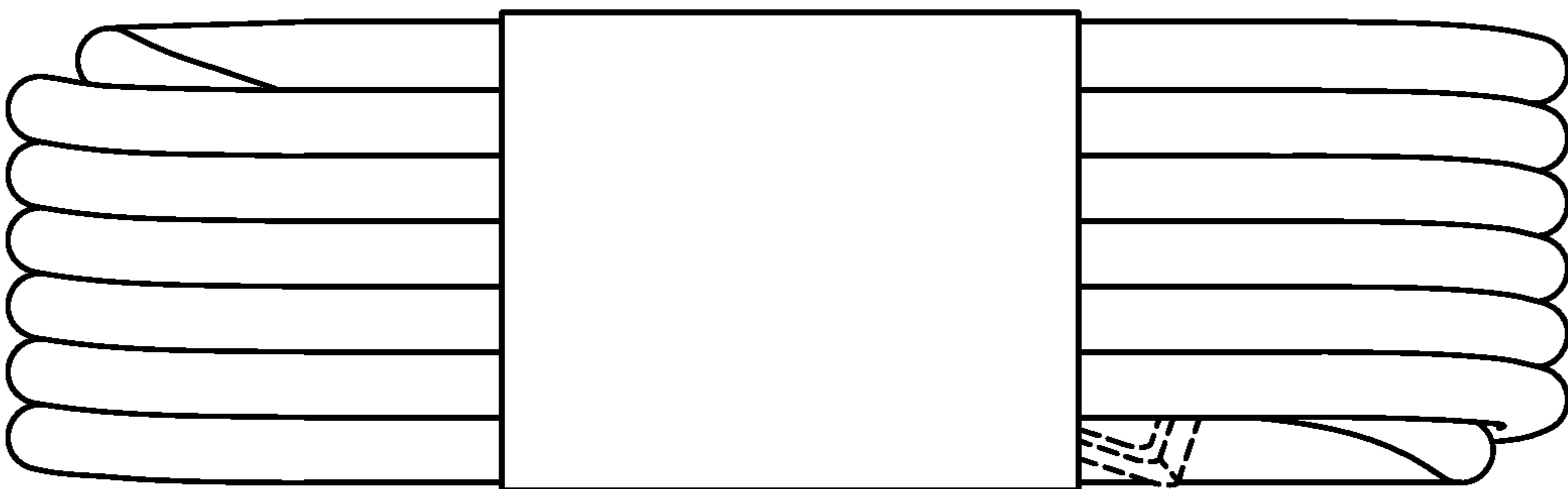


FIG. 5

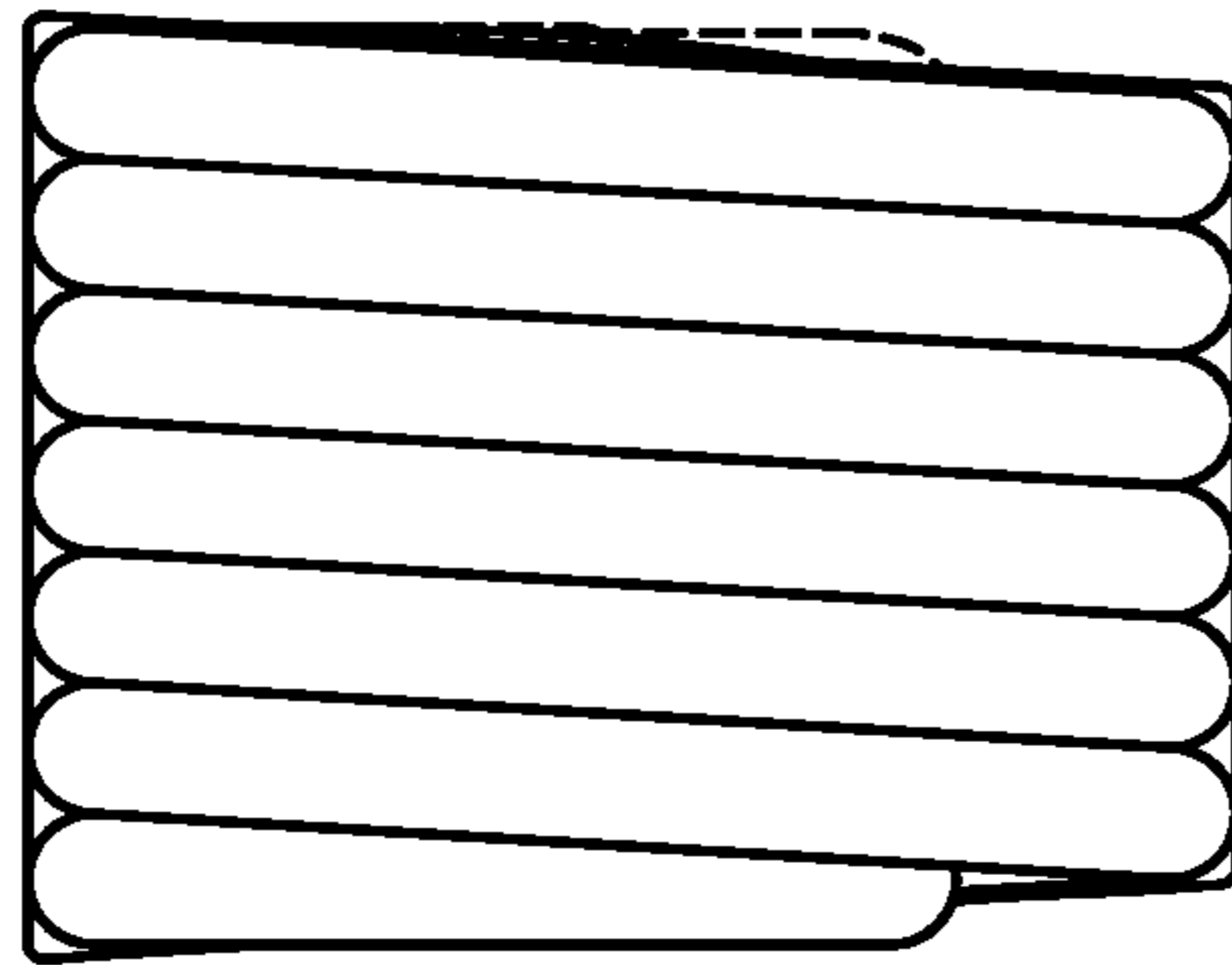


FIG. 6

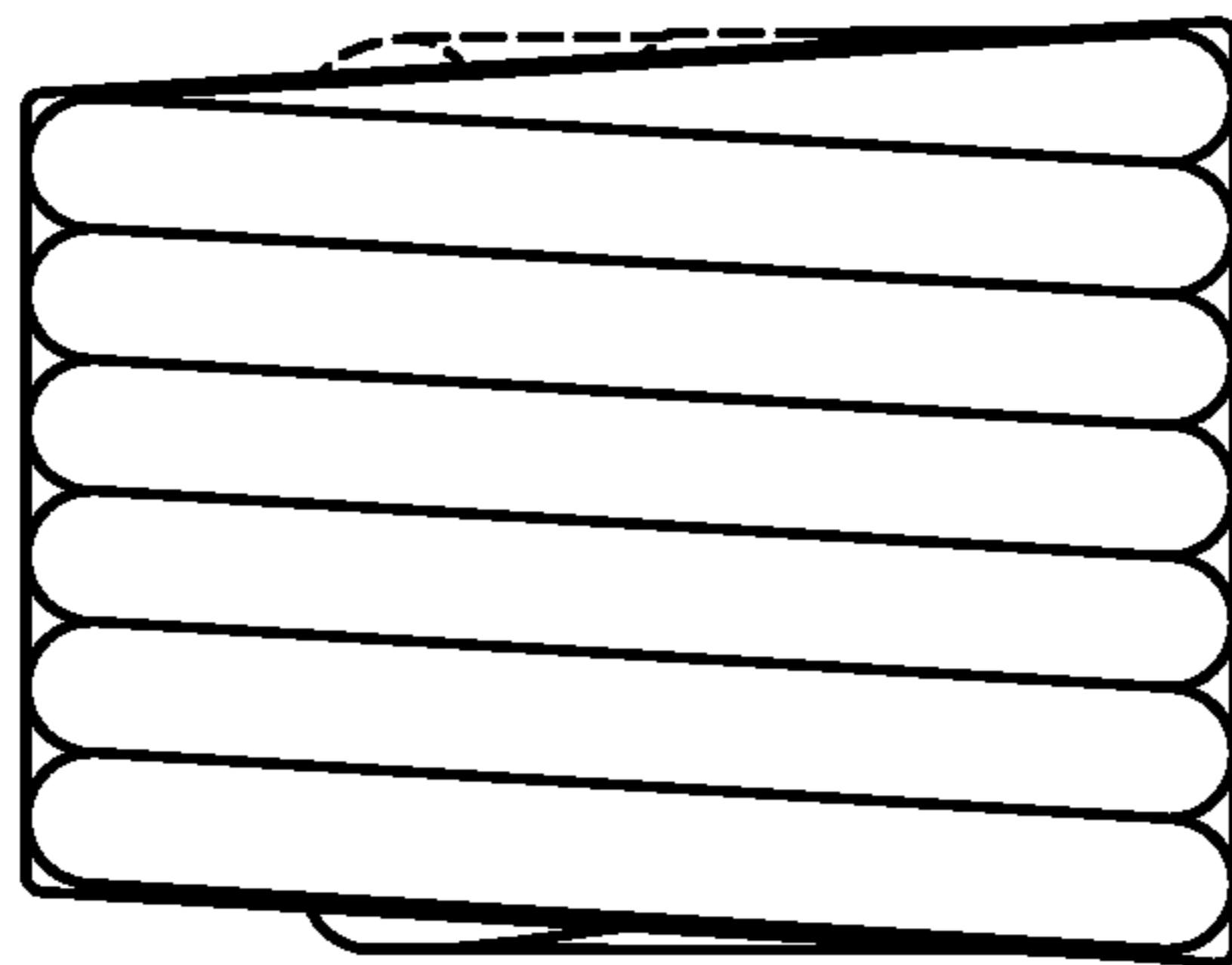


FIG. 7