



US00D887984S

(12) **United States Design Patent**  
**Byrne et al.**

(10) **Patent No.:** **US D887,984 S**  
(45) **Date of Patent:** **\*\* Jun. 23, 2020**

(54) **POWER AND DATA CENTER**

(71) Applicants: **Norman R. Byrne**, Ada, MI (US); **Joel T. Ruiter**, Ada, MI (US); **Peter Bergendahl**, South Burlington, VT (US); **Joseph D. Ward**, Grand Rapids, MI (US); **Juan Carlos Angulo**, Grand Rapids, MI (US)

(72) Inventors: **Norman R. Byrne**, Ada, MI (US); **Joel T. Ruiter**, Ada, MI (US); **Peter Bergendahl**, South Burlington, VT (US); **Joseph D. Ward**, Grand Rapids, MI (US); **Juan Carlos Angulo**, Grand Rapids, MI (US)

(\*\*) Term: **15 Years**

(21) Appl. No.: **29/633,947**

(22) Filed: **Jan. 17, 2018**

(51) **LOC (12) Cl.** ..... **13-03**

(52) **U.S. Cl.**  
USPC ..... **D13/139.4**; D13/184; D14/434

(58) **Field of Classification Search**  
USPC ..... D14/300–304, 308–314, 328, 348–370,  
D14/432, 434–435, 440–441, 443–446,  
(Continued)

(56) **References Cited**

**U.S. PATENT DOCUMENTS**

550,338 A 11/1895 Bauer  
3,290,719 A 12/1966 Courson  
(Continued)

**OTHER PUBLICATIONS**

Floor and Ceiling Boxes, posted at Jackson Electrical Industries, posting date Oct. 12, 2014. Site visited Aug. 1, 2019. URL: <<http://web.archive.org/web/20141012111656/https://jackson.co.nz/product/floor-and-ceiling-boxes/>> (Year: 2014).\*

(Continued)

*Primary Examiner* — Kevin K Rudzinski

*Assistant Examiner* — Kathleen L Jones

(74) *Attorney, Agent, or Firm* — Gardner, Linn, Burkhart & Ondersma LLP

(57) **CLAIM**

The ornamental design for a power and data center, as shown and described.

**DESCRIPTION**

FIG. 1 is a top perspective view of a power and data center showing our new design in a closed configuration; FIG. 2 is another top perspective view thereof, viewed from an opposite side; FIG. 3 is a bottom perspective view thereof; FIG. 4 is a top plan view thereof; FIG. 5 is a bottom plan view thereof; FIG. 6 is a left side elevation thereof; FIG. 7 is a right side elevation thereof; FIG. 8 is a front elevation thereof; FIG. 9 is a rear elevation thereof; FIG. 10 is another top perspective view of the power and data center in a first open configuration; FIG. 11 is another top perspective view thereof, viewed from an opposite side; FIG. 12 is another top perspective view thereof, viewed from an opposite end; FIG. 13 is a bottom perspective view thereof; FIG. 14 is a top plan view thereof; FIG. 15 is a bottom plan view thereof; FIG. 16 is a left side elevation thereof; FIG. 17 is a right side elevation thereof; FIG. 18 is a front elevation thereof; FIG. 19 is a rear elevation thereof; FIG. 20 is another top perspective view of the power and data center in a second open configuration; FIG. 21 is another top perspective view thereof, viewed from an opposite side; FIG. 22 is another top perspective view thereof, viewed from an opposite end; FIG. 23 is a bottom perspective view thereof; FIG. 24 is a top plan view thereof; FIG. 25 is a bottom plan view thereof;

(Continued)

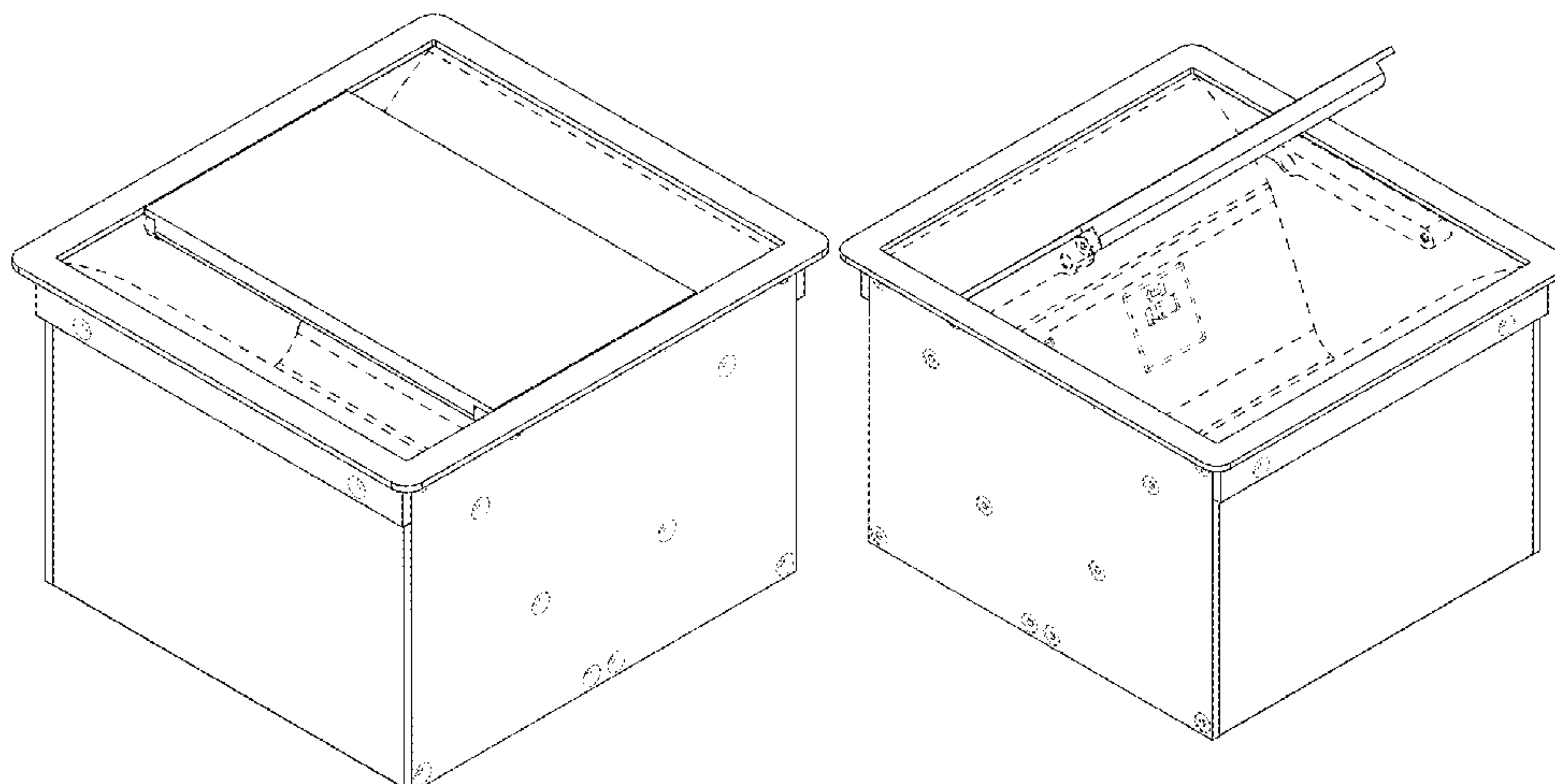


FIG. 26 is a left side elevation thereof;  
 FIG. 27 is a right side elevation thereof;  
 FIG. 28 is a front elevation thereof; and,  
 FIG. 29 is a rear elevation thereof.

The broken lines showing portions of the power and data center are included for the purpose of illustrating portions of the article and form no part of the claimed design.

**1 Claim, 12 Drawing Sheets**

(58) **Field of Classification Search**

USPC ..... D14/479-480, 481-483, 140.1, 140.4,  
 D14/164, 193; D13/107-108,  
 D13/139.4-139.6, 123, 133, 146-147,  
 D13/152, 154-155, 158, 162-164, 184,  
 D13/199; D6/642  
 CPC ..... H05K 5/00; H05K 5/0004; H05K 5/0008;  
 H05K 5/02; H05K 5/0204; H05K 5/0217;  
 H05K 5/0247; H05K 5/0256; H05K 5/03;  
 H05K 5/04; H05K 5/225; H05K 7/1432;  
 H01R 13/73; H01R 25/006; G06F 1/18;  
 G06F 1/1632; G06F 1/181; G06F 1/182;  
 G06F 1/189; G06F 1/26; G06F 1/263;  
 G06F 1/266

See application file for complete search history.

(56) **References Cited**

U.S. PATENT DOCUMENTS

3,685,093 A 8/1972 Sanders et al.  
 D229,699 S \* 12/1973 Hehs ..... D13/184  
 D234,425 S \* 3/1975 Plummer ..... D13/139.6  
 4,132,034 A 1/1979 Van Siclen  
 4,414,576 A 11/1983 Randmae  
 D314,555 S \* 2/1991 Brown, Jr. .... D13/164  
 5,122,069 A \* 6/1992 Brownlie ..... G02B 6/4451  
 174/53  
 5,195,272 A 3/1993 Yamada  
 5,355,556 A 10/1994 Lyon  
 D353,363 S \* 12/1994 Toby ..... D13/139.4  
 5,548,927 A 8/1996 Song  
 5,647,652 A 7/1997 Zalewski et al.  
 D407,374 S \* 3/1999 Byrne ..... D13/139.4  
 5,926,005 A \* 7/1999 Holcomb ..... H02J 7/0042  
 320/107  
 5,926,916 A 7/1999 Lee et al.  
 6,003,716 A 12/1999 Allison et al.  
 D460,736 S \* 7/2002 Pincek ..... D13/139.4  
 D463,775 S \* 10/2002 Byrne ..... D13/139.4  
 D472,213 S \* 3/2003 Byrne ..... D13/139.4  
 D473,525 S \* 4/2003 Pincek ..... D13/162  
 6,806,426 B1 10/2004 Gretz  
 D512,964 S \* 12/2005 Kissinger ..... D13/139.4

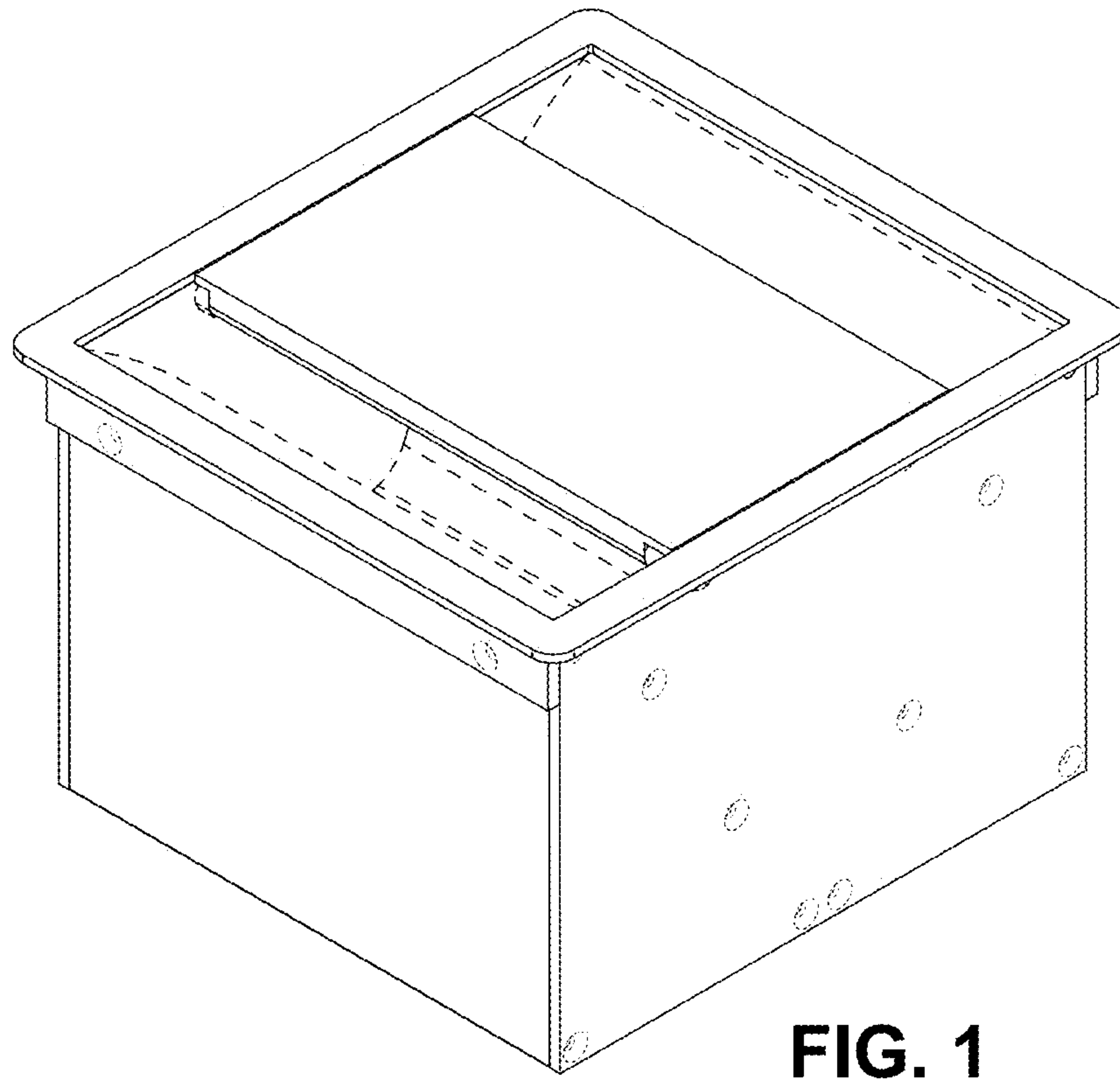
D513,493 S \* 1/2006 Feldstein ..... D13/139.4  
 D516,501 S \* 3/2006 Ware, Jr. .... D13/102  
 D516,513 S \* 3/2006 Kissinger ..... D13/139.4  
 D526,961 S \* 8/2006 Kissinger ..... D13/139.4  
 D537,039 S \* 2/2007 Pincek ..... D13/139.4  
 D591,674 S \* 5/2009 McConnell ..... D13/107  
 D622,219 S 8/2010 Byrne  
 D626,542 S \* 11/2010 Libman ..... D13/139.4  
 D638,367 S \* 5/2011 Isaacks ..... D13/139.4  
 D639,244 S \* 6/2011 Byrne ..... D13/139.4  
 D645,404 S \* 9/2011 Chuang ..... D13/139.1  
 D657,315 S \* 4/2012 Feldstein ..... D13/139.4  
 D665,355 S \* 8/2012 Byrne ..... D13/139.4  
 8,295,036 B2 \* 10/2012 Byrne ..... H01R 25/003  
 174/57  
 D685,329 S 7/2013 Byrne et al.  
 D686,992 S \* 7/2013 Eisen ..... D13/133  
 D709,031 S 7/2014 Byrne et al.  
 D715,740 S \* 10/2014 Byrne ..... D13/139.4  
 D727,256 S \* 4/2015 Badie ..... D13/107  
 9,059,576 B2 \* 6/2015 Isaacks ..... H02G 3/00  
 9,071,002 B2 \* 6/2015 Mazzullo ..... H01R 13/516  
 D753,609 S \* 4/2016 Wetzel ..... D10/49  
 9,377,808 B1 \* 6/2016 Sivertsen ..... G06F 1/20  
 9,450,390 B1 9/2016 Flegel  
 9,614,338 B2 4/2017 Alexander et al.  
 D836,556 S \* 12/2018 Byrne ..... D13/139.1  
 D860,996 S \* 9/2019 Jhun ..... D14/432  
 D863,224 S \* 10/2019 Jhun ..... D13/139.4  
 D864,872 S \* 10/2019 Jhun ..... D13/139.4  
 10,553,985 B2 \* 2/2020 Sorrentino ..... H01R 13/5213  
 2008/0110661 A1 5/2008 Dinh et al.  
 2008/0296039 A1 12/2008 Dinh et al.  
 2009/0301774 A1 \* 12/2009 Byrne ..... E04F 15/024  
 174/483  
 2010/0181091 A1 7/2010 Drane  
 2012/0200989 A1 \* 8/2012 Byrne ..... H01R 13/447  
 361/641  
 2014/0355231 A1 \* 12/2014 Byrne ..... H02G 3/185  
 361/756  
 2014/0375196 A1 \* 12/2014 Nguyen ..... H05K 5/0226  
 312/329  
 2015/0137738 A1 \* 5/2015 Chien ..... H02J 7/0021  
 320/107  
 2015/0370291 A1 \* 12/2015 Wiley ..... G06F 1/181  
 361/679.56  
 2017/0317458 A1 \* 11/2017 Byrne ..... H02J 50/90  
 2019/0148874 A1 \* 5/2019 Sorrentino ..... H01R 13/5213  
 439/136  
 2019/0166707 A1 \* 5/2019 Pedoeem ..... H05K 5/0217  
 2019/0222009 A1 \* 7/2019 Byrne ..... H02G 3/14

OTHER PUBLICATIONS

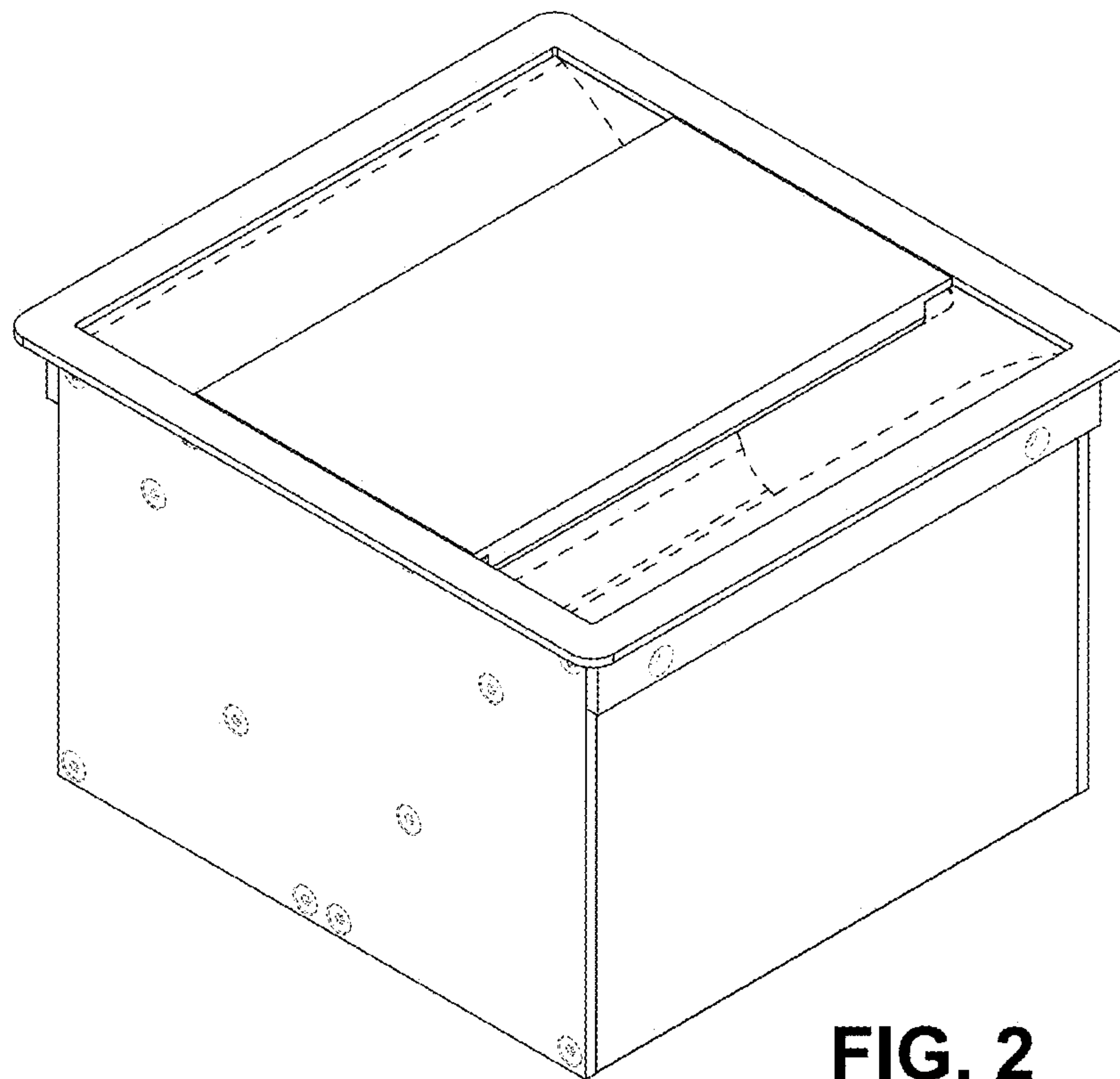
Boho, posted at Byrne Electrical Specialists, posting date not available. Site visited Aug. 2019. URL: <[https://www.byrne.com/in-surface\\_power\\_accessories](https://www.byrne.com/in-surface_power_accessories)>.\*

\* cited by examiner

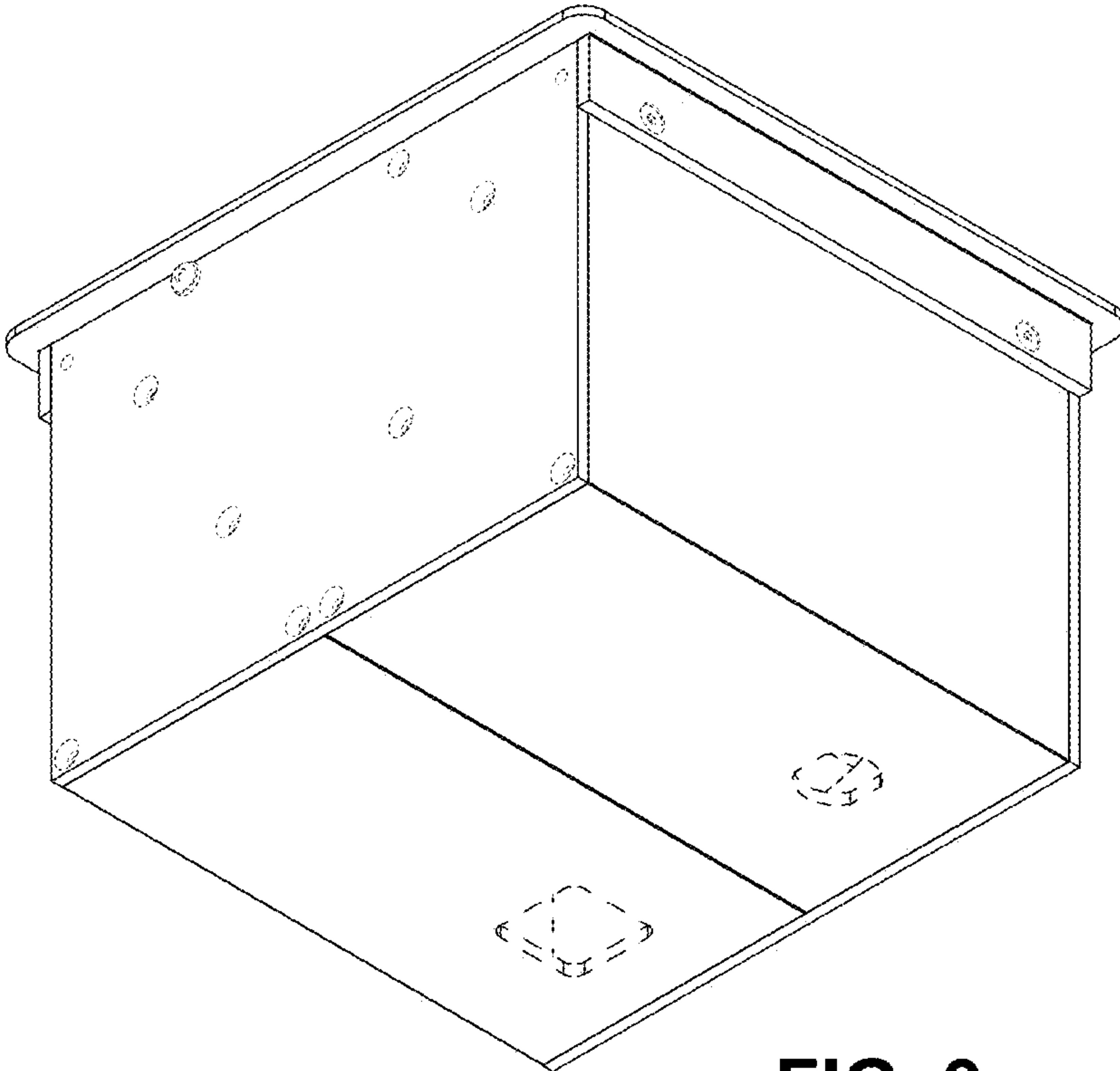




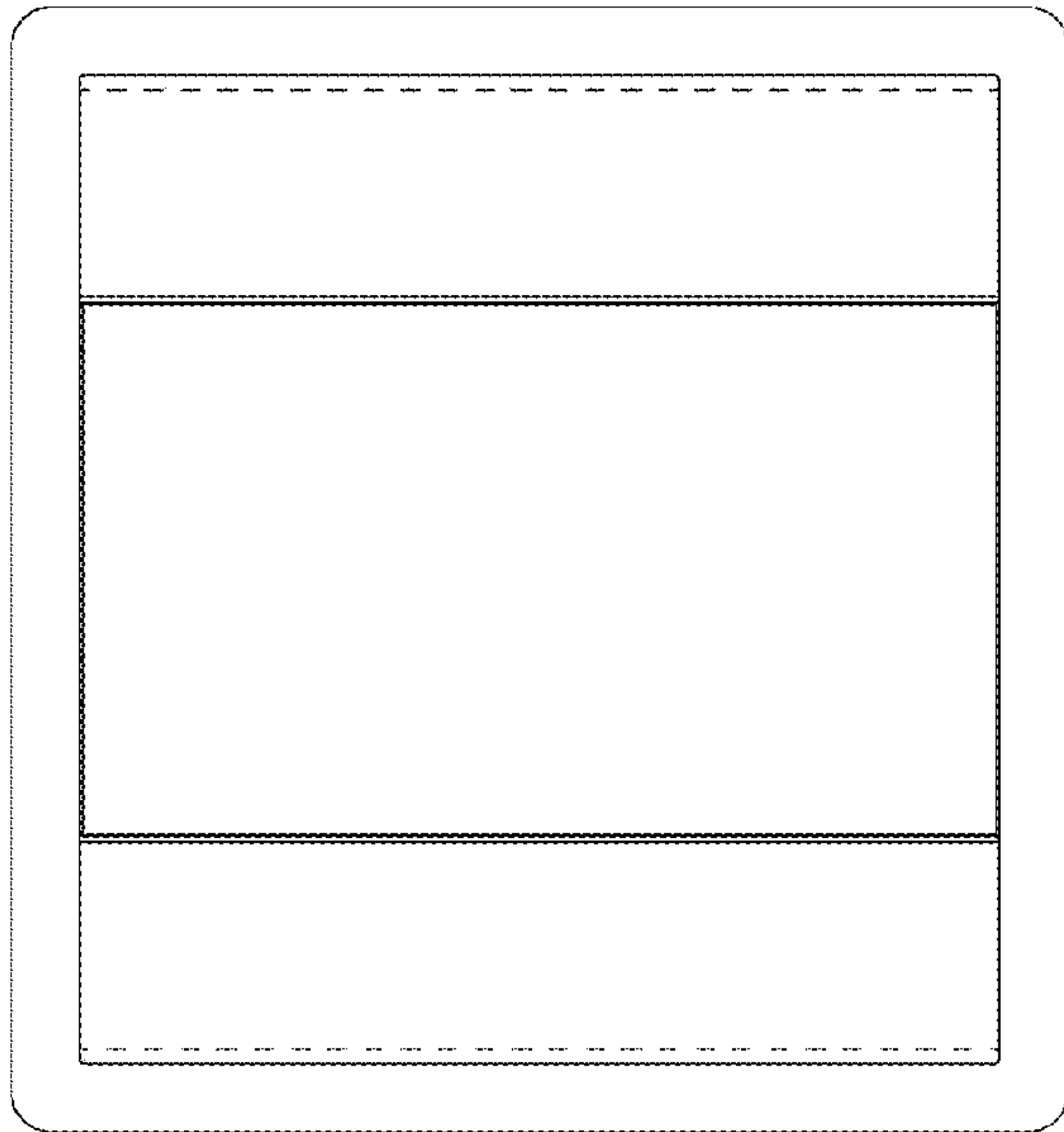
**FIG. 1**



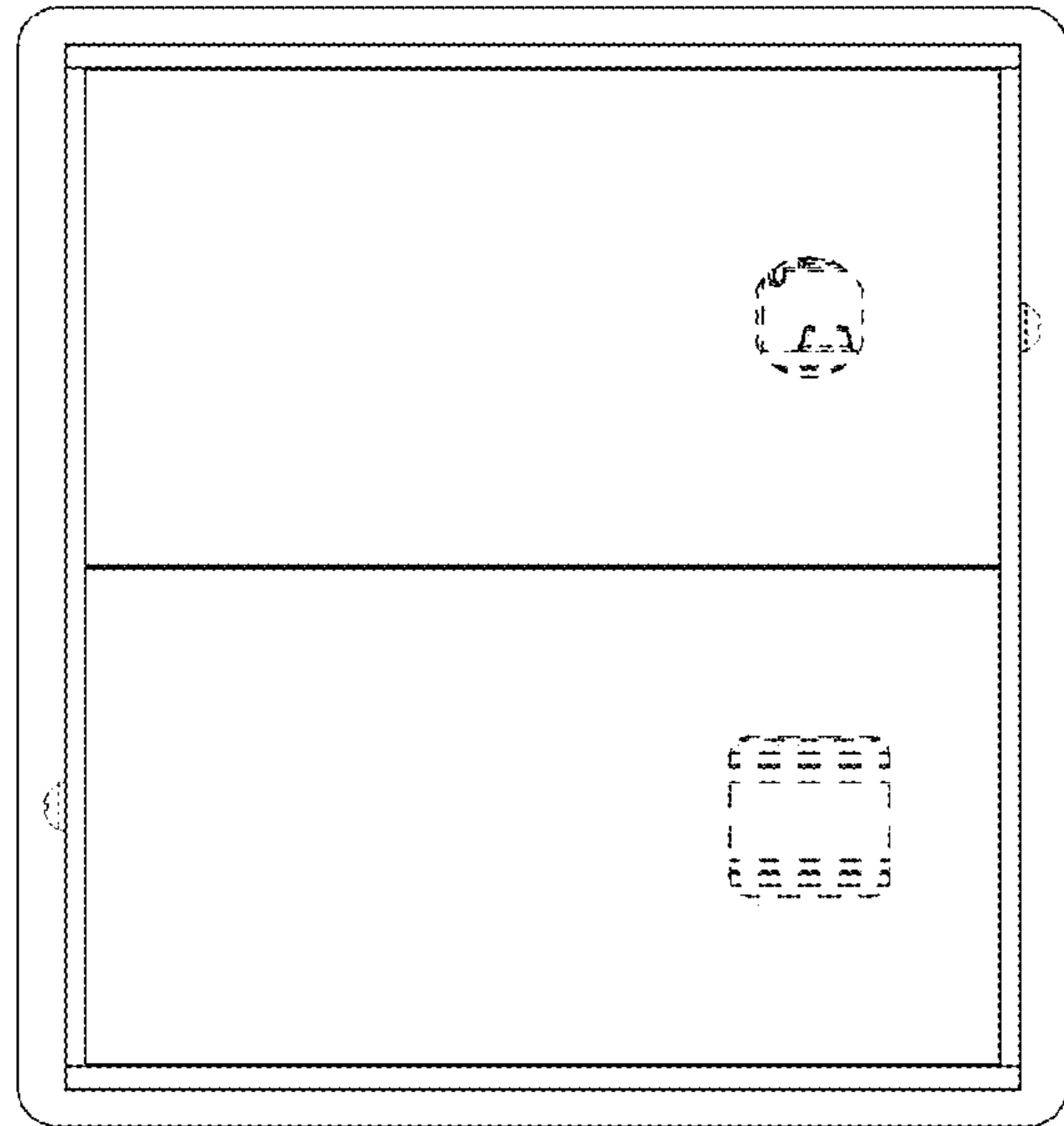
**FIG. 2**



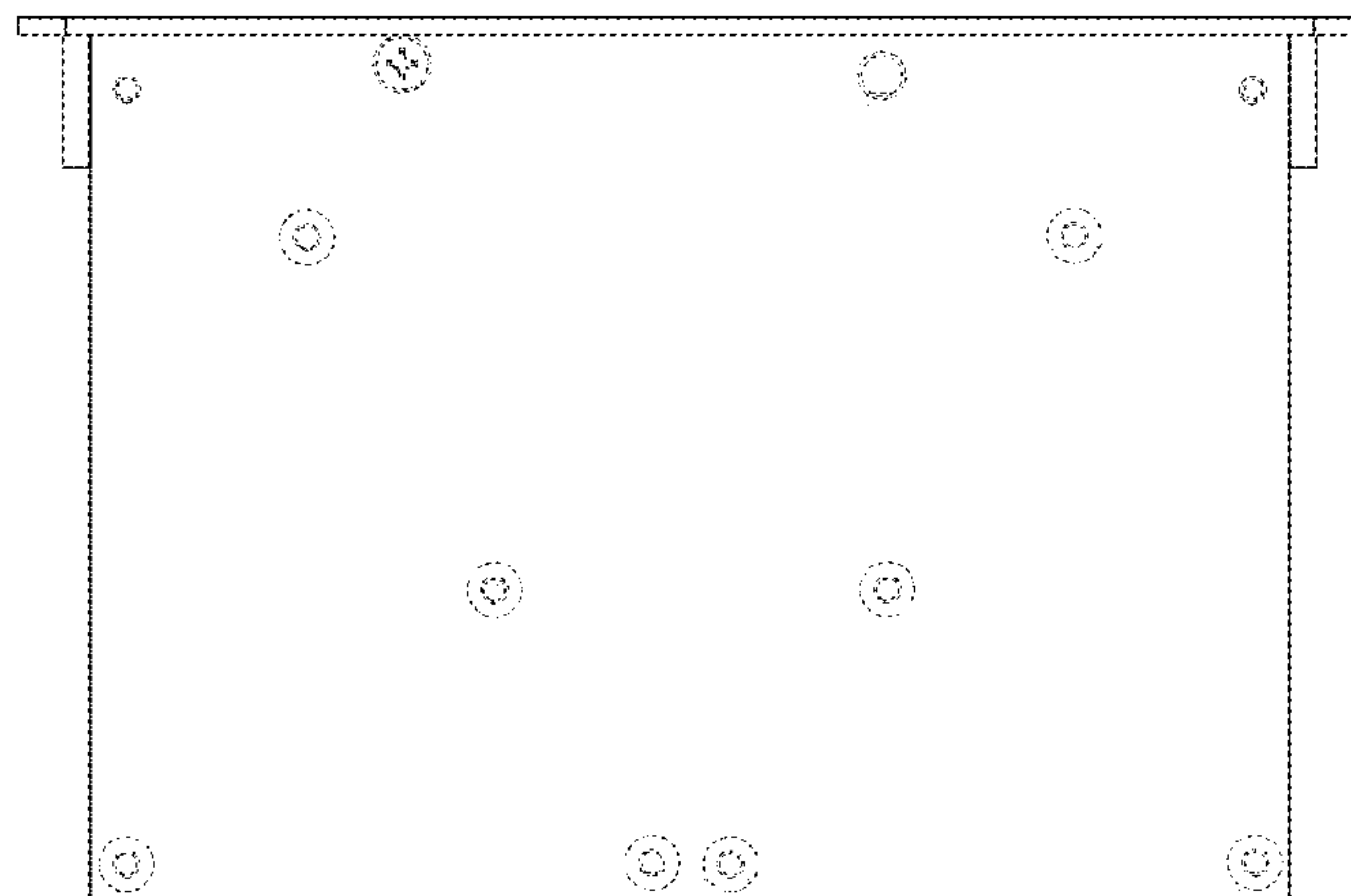
**FIG. 3**



**FIG. 4**



**FIG. 5**



**FIG. 6**

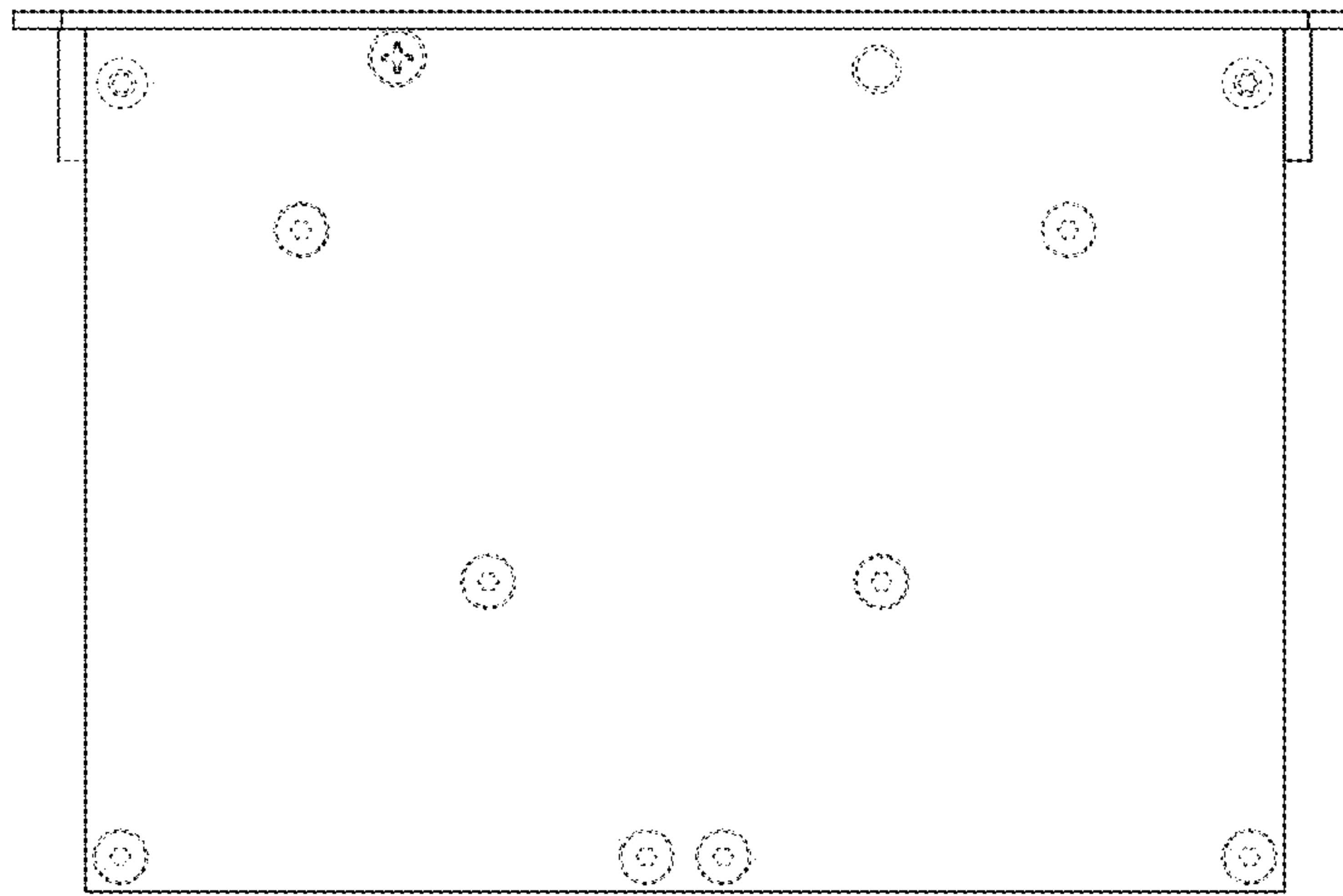


FIG. 7

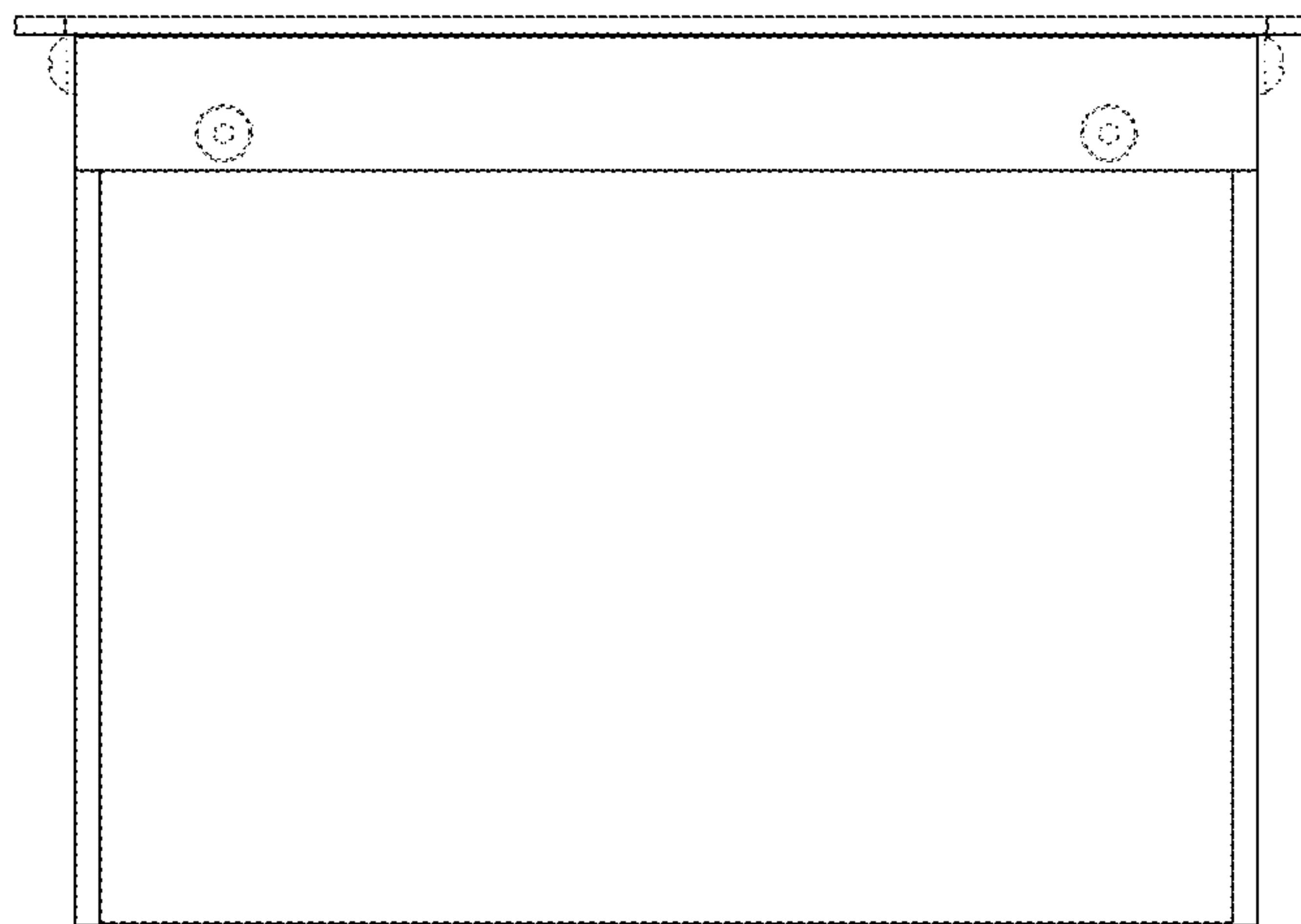


FIG. 8

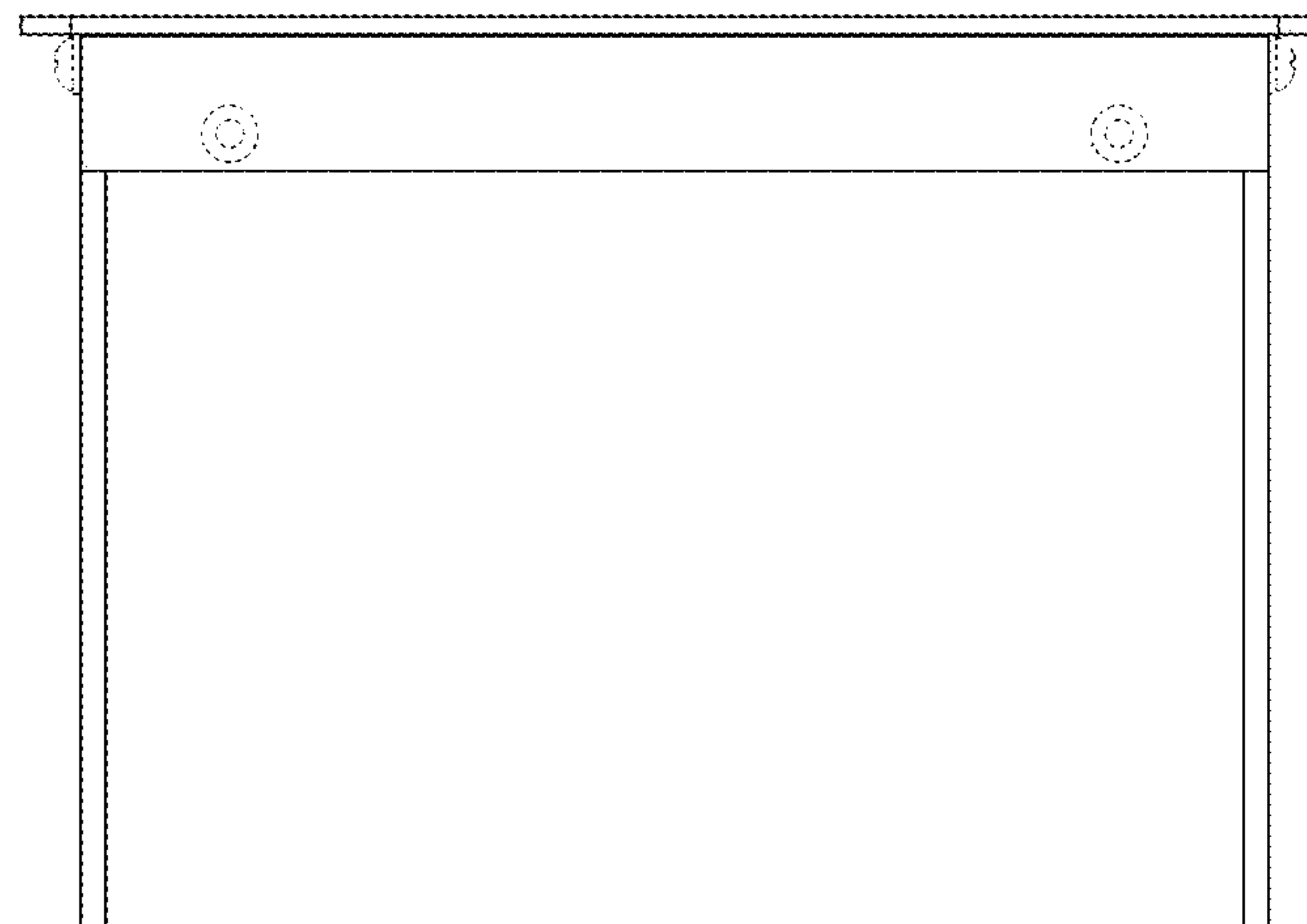
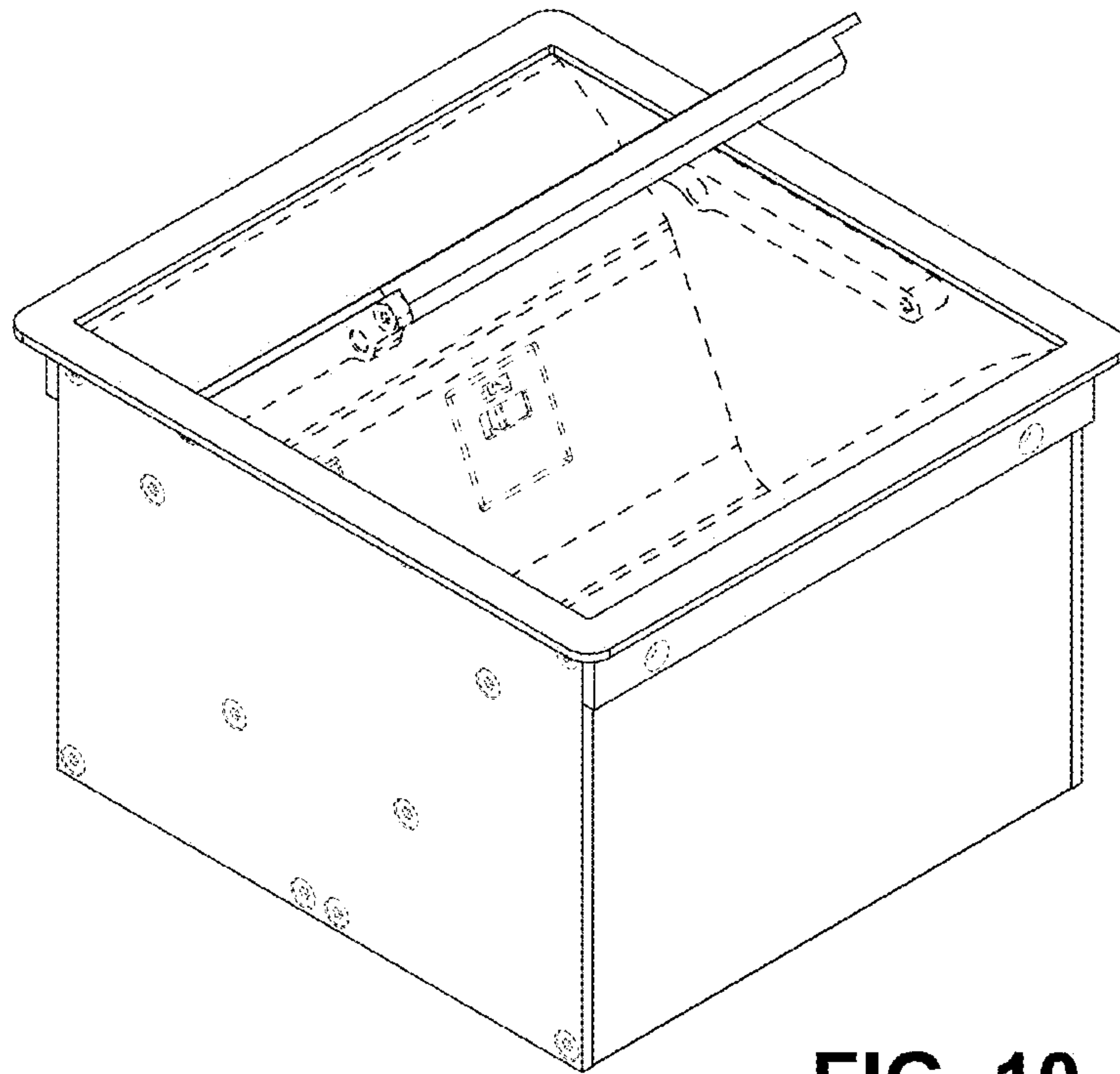
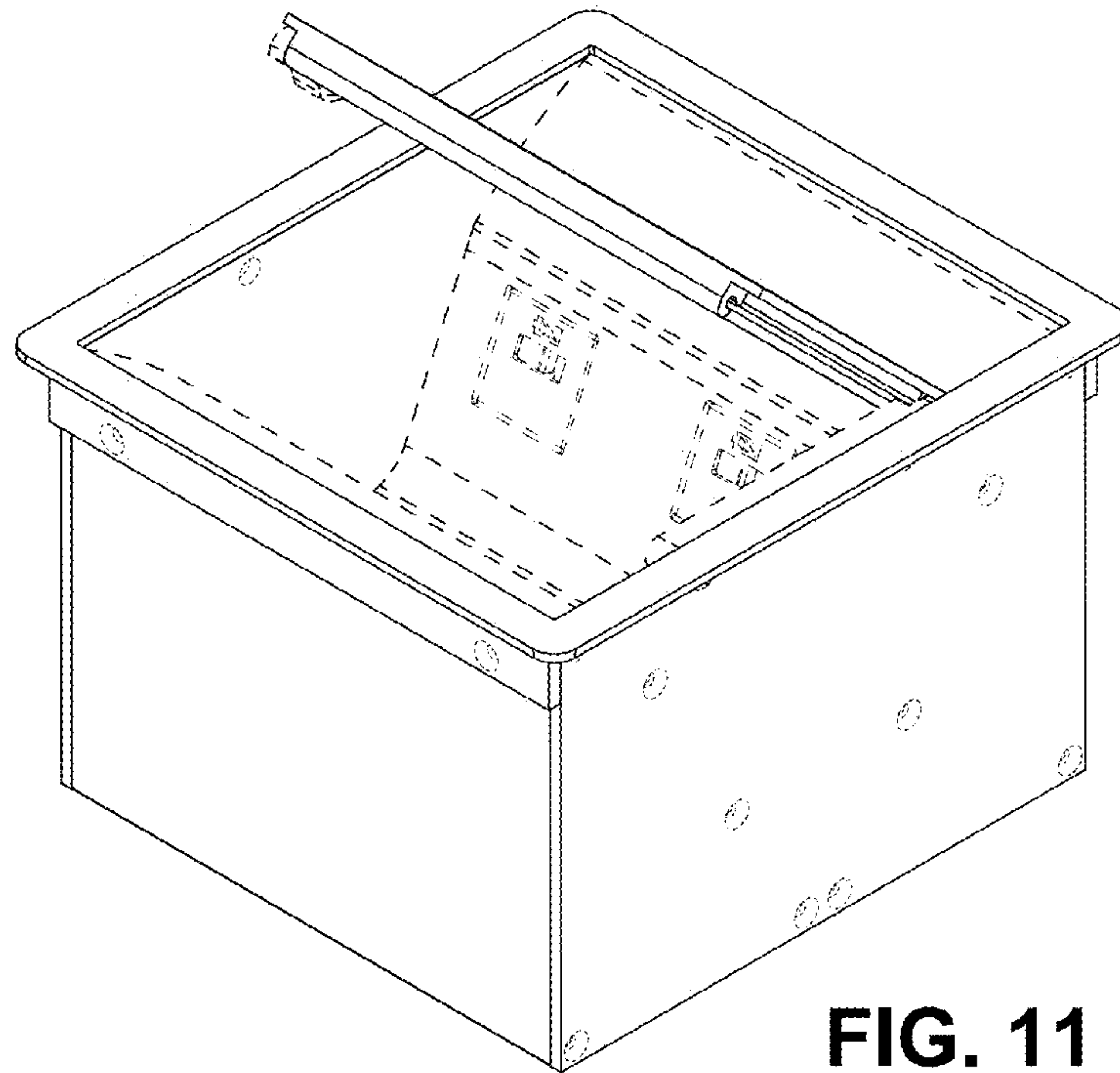


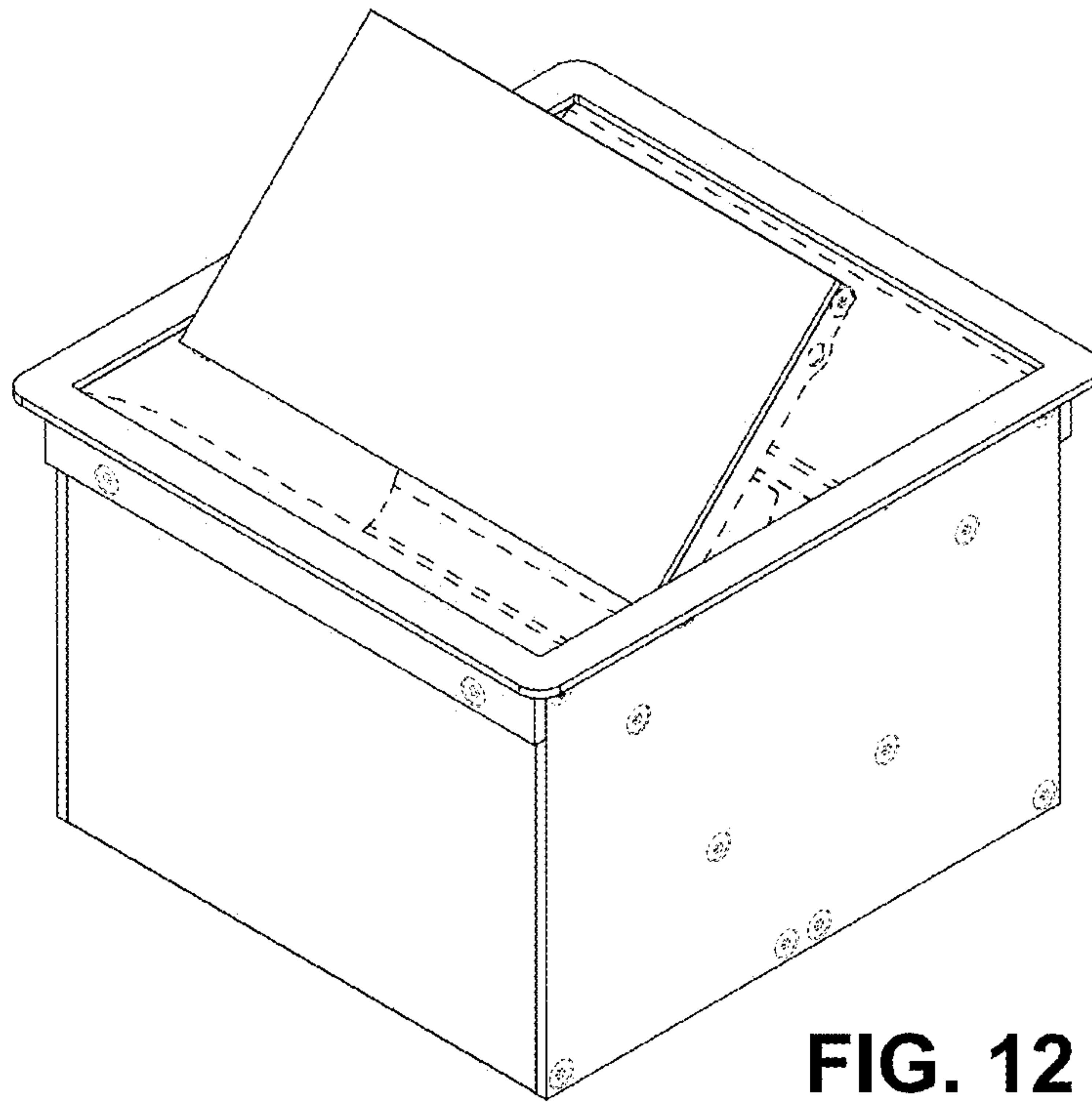
FIG. 9



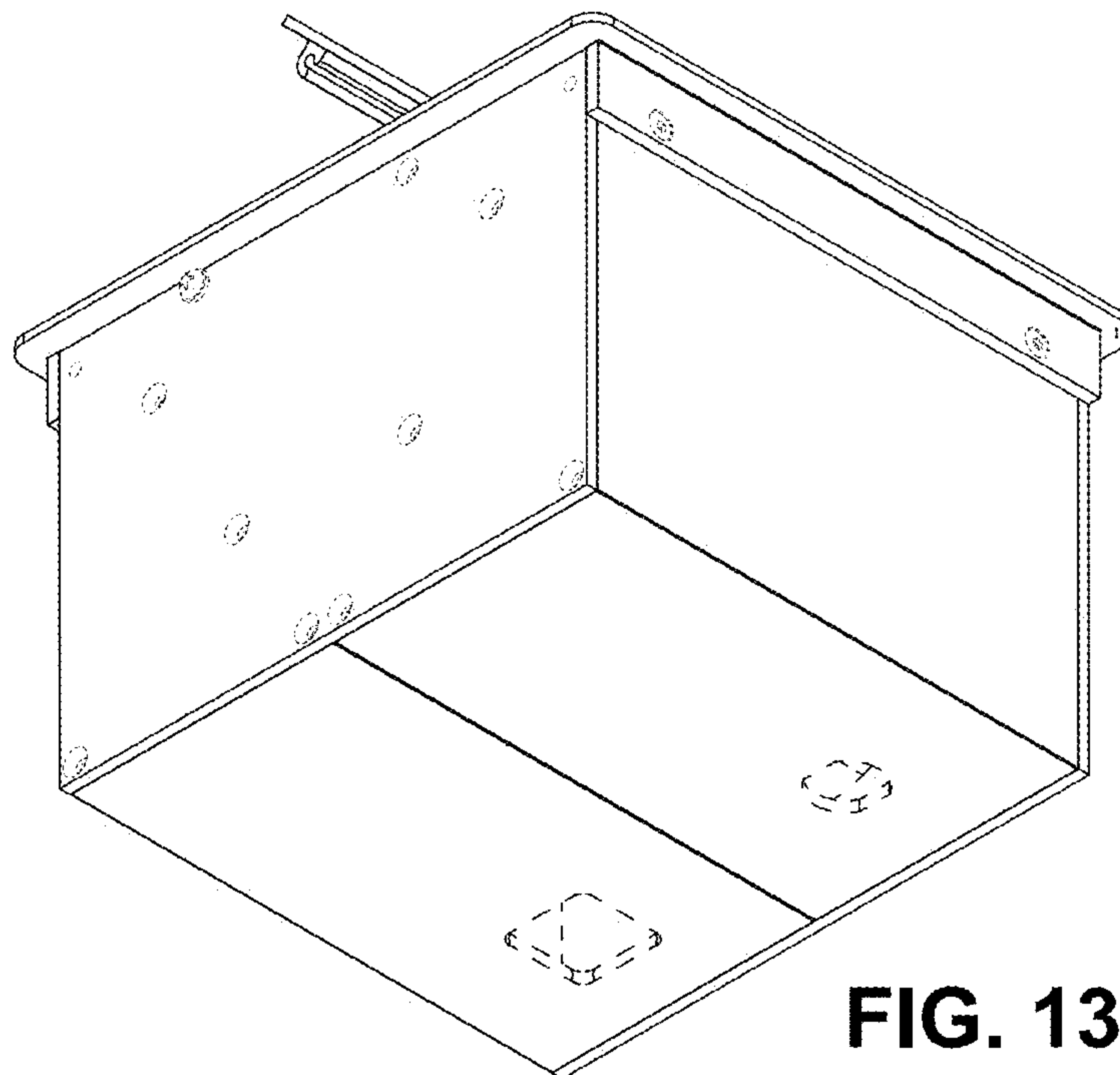
**FIG. 10**



**FIG. 11**

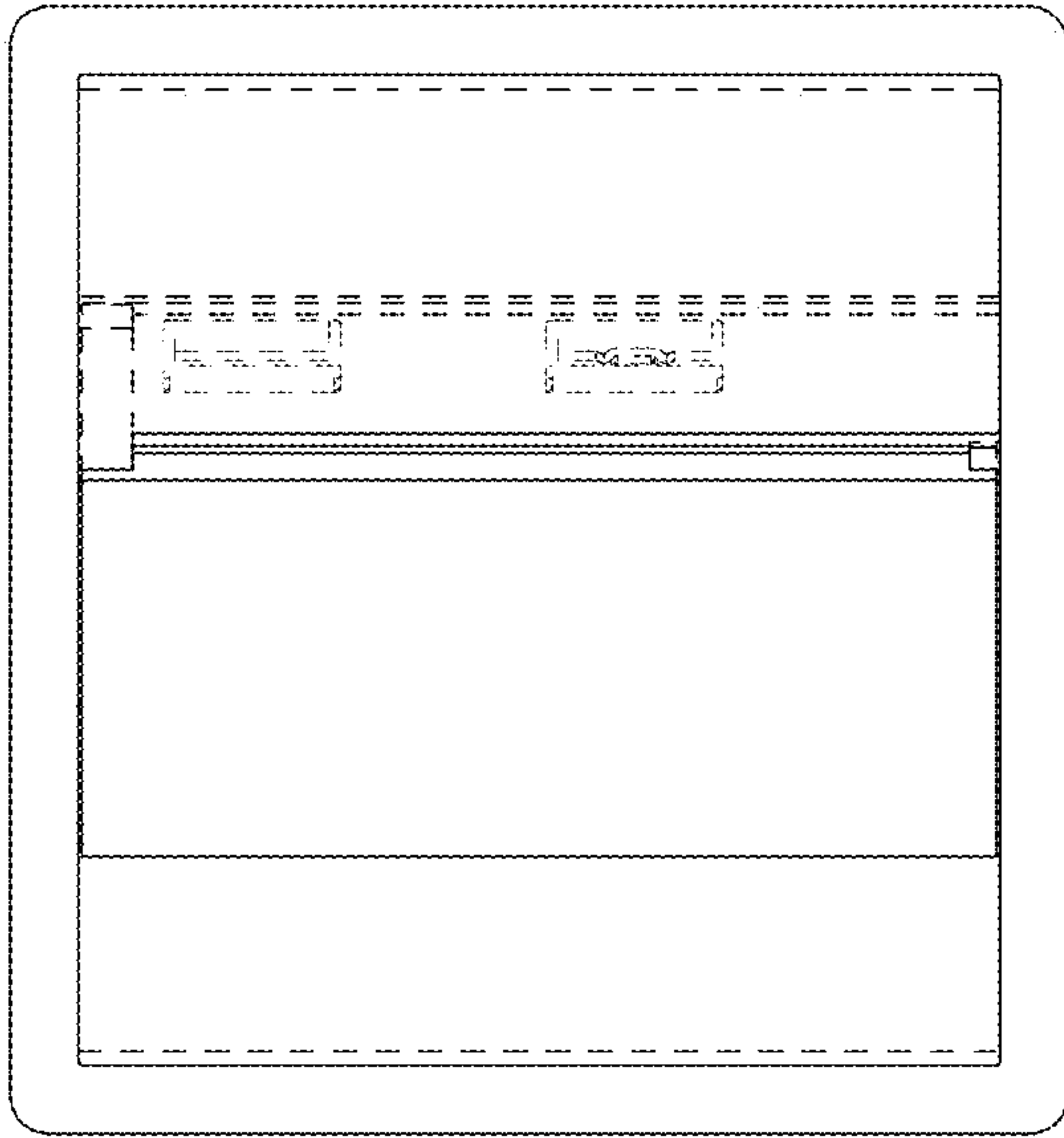


**FIG. 12**

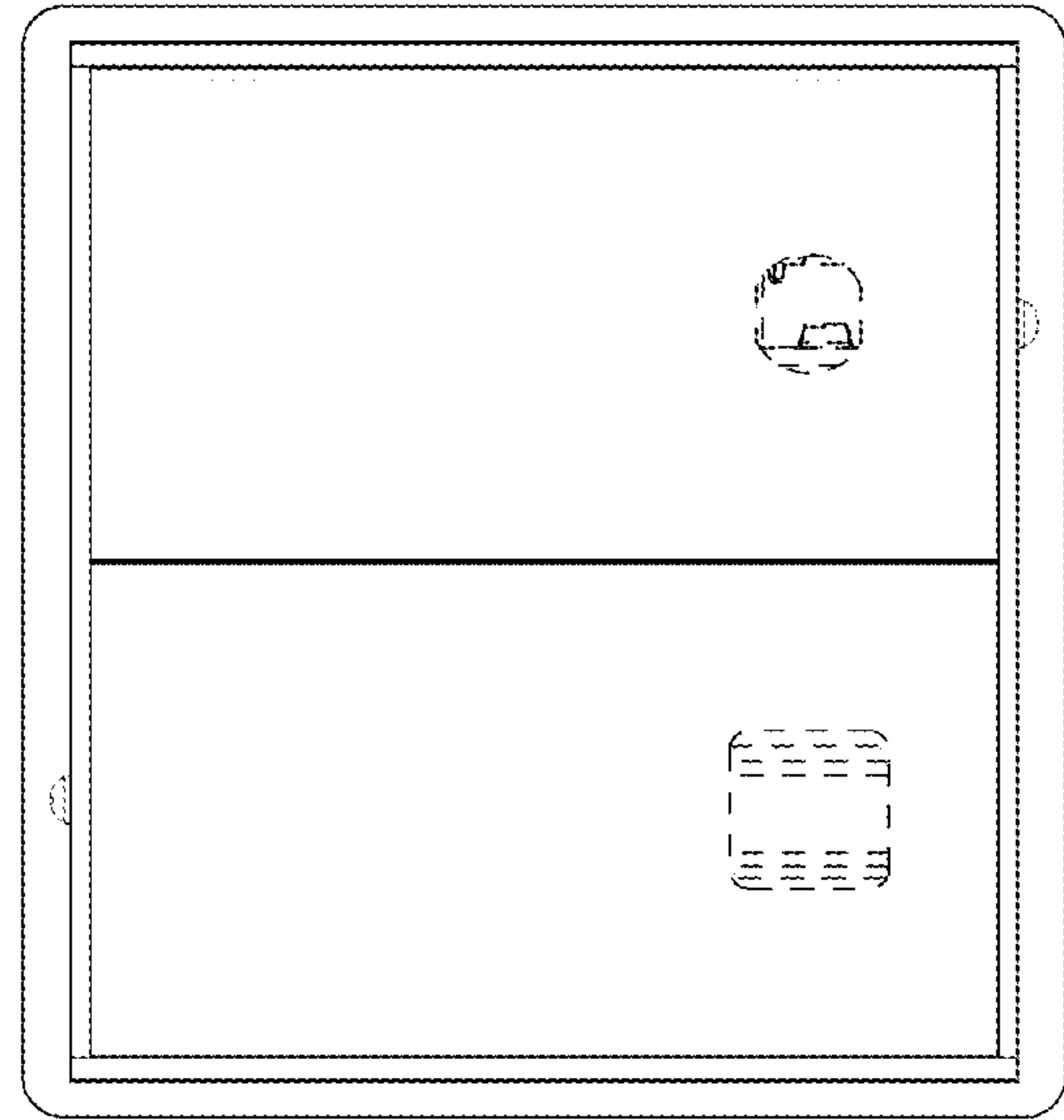


**FIG. 13**

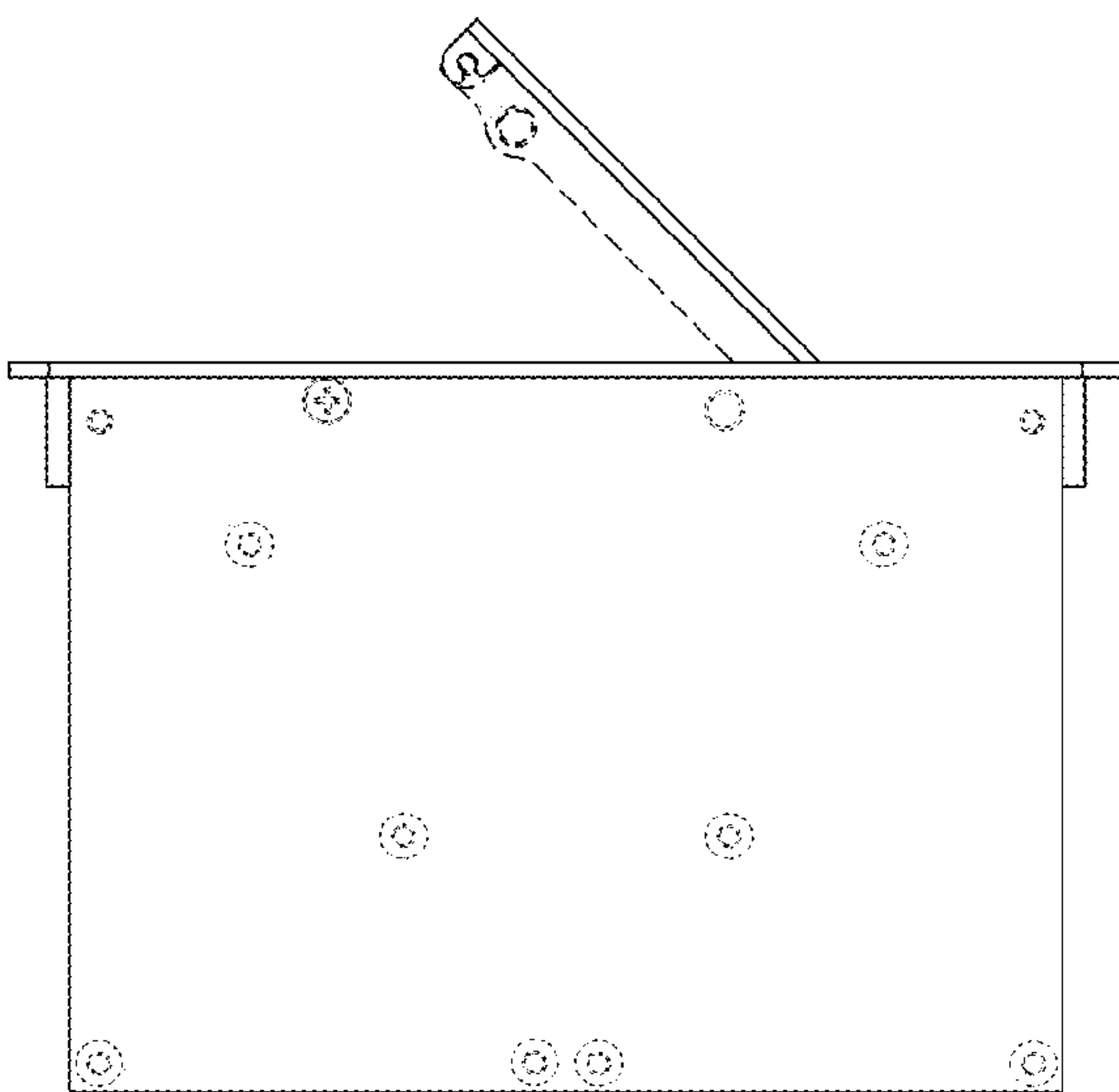




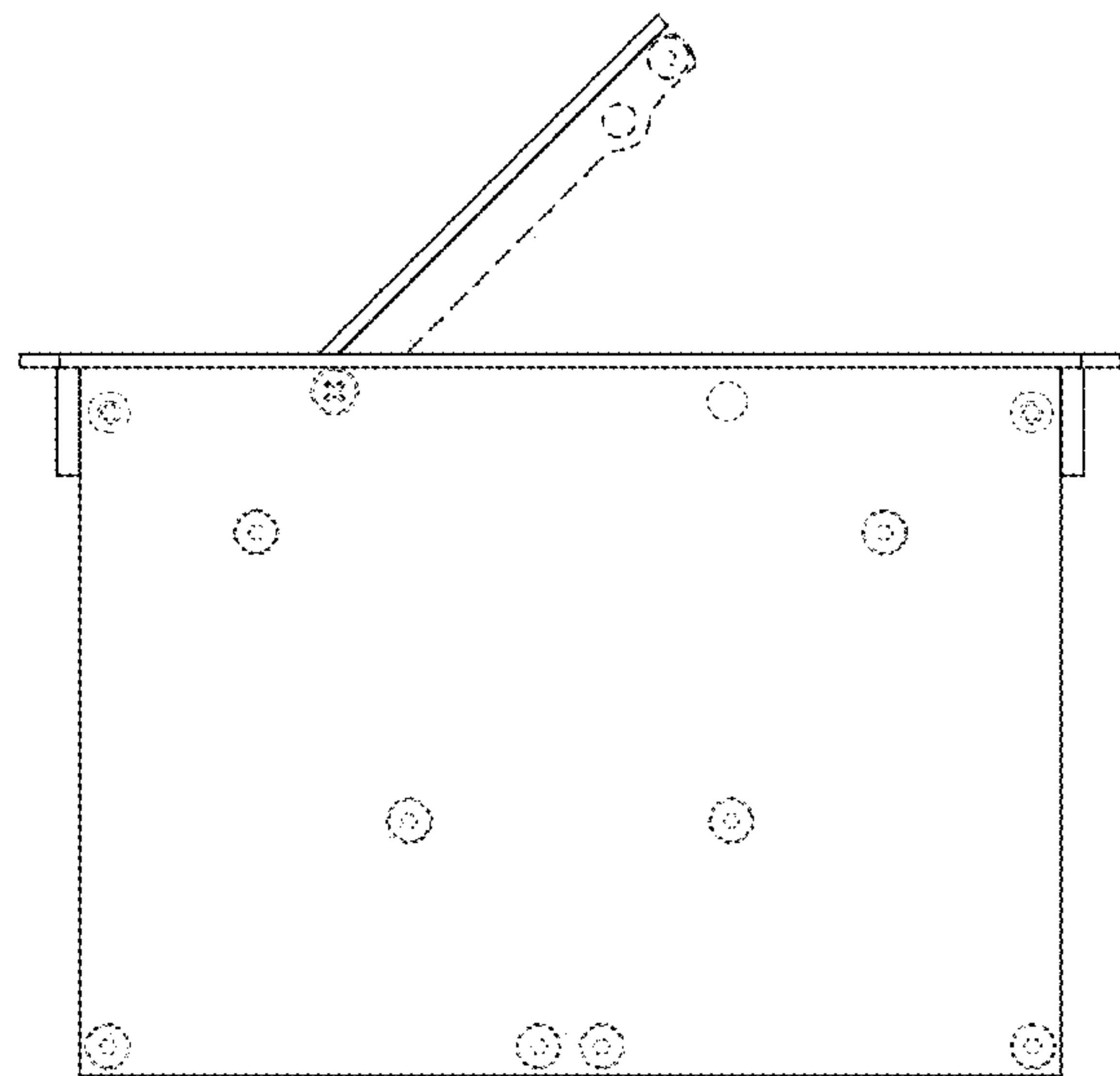
**FIG. 14**



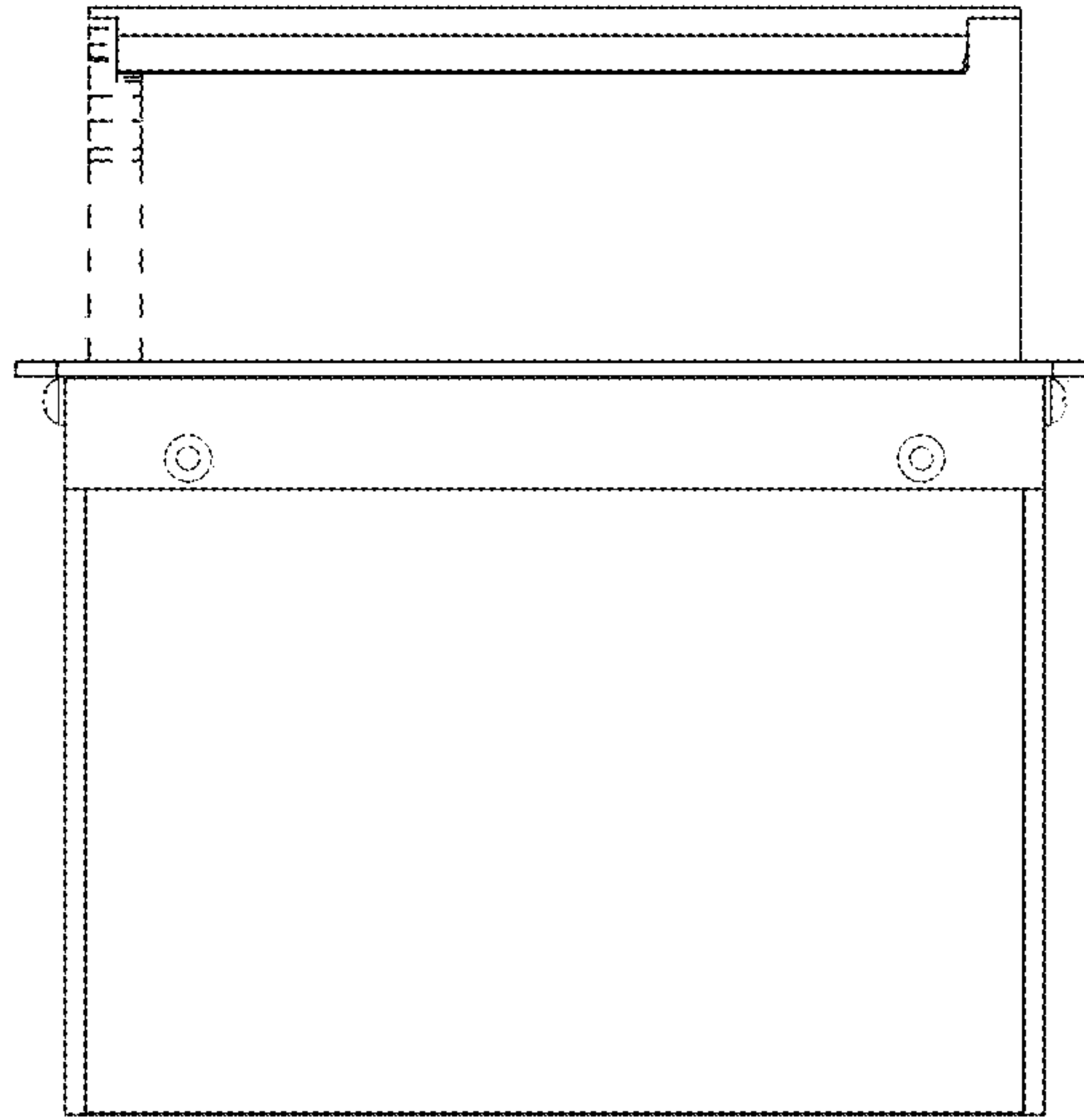
**FIG. 15**



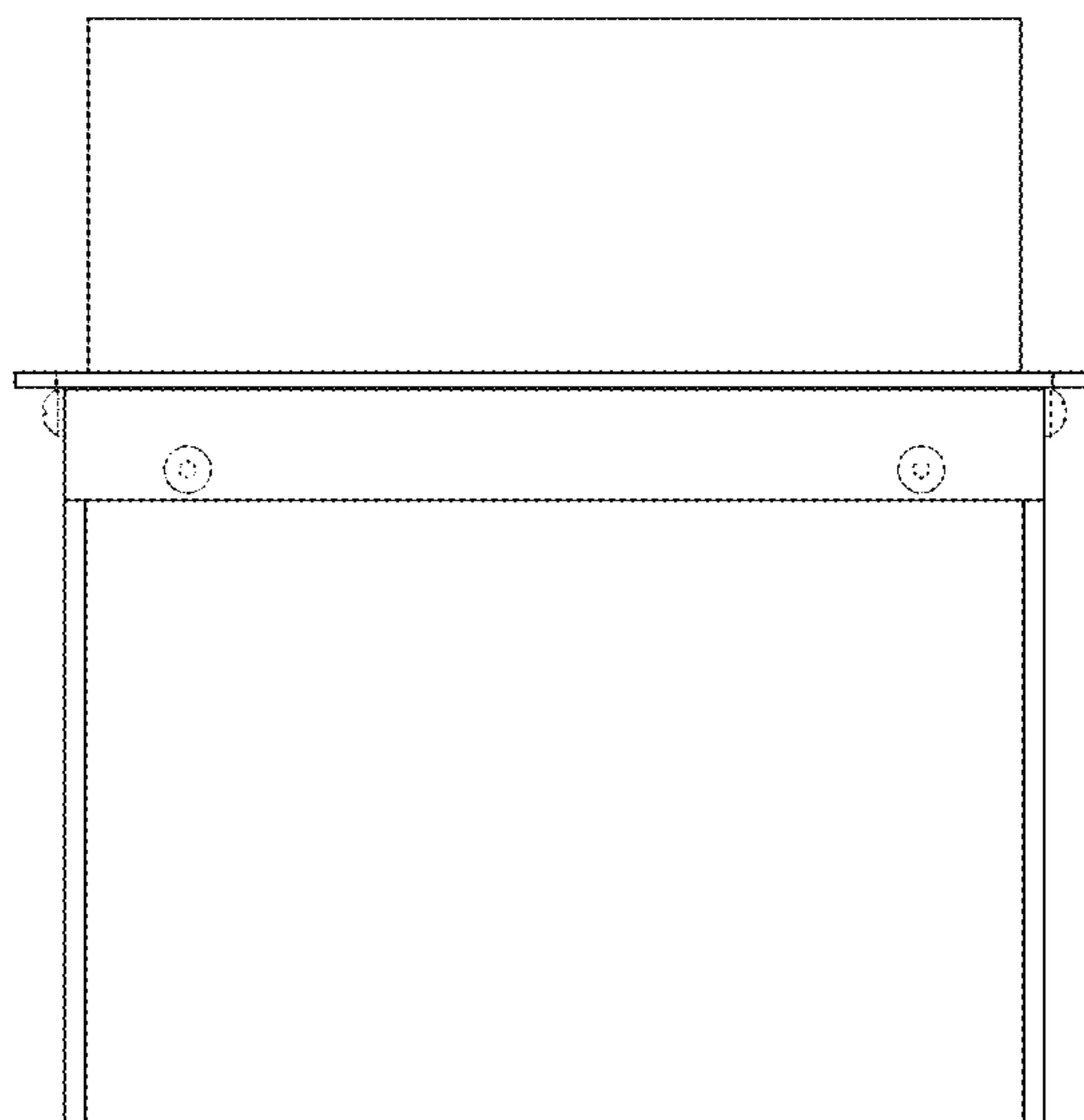
**FIG. 16**



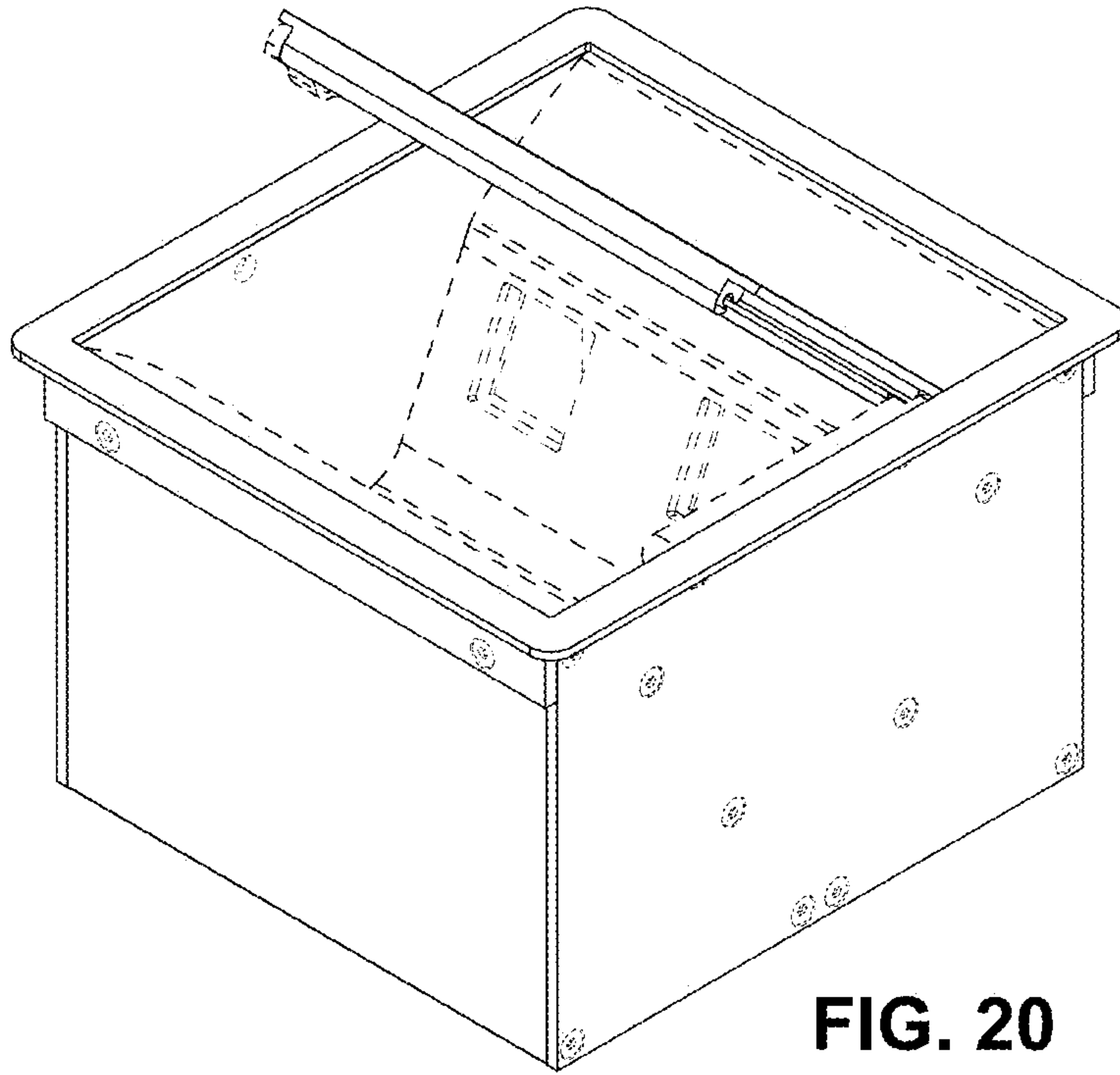
**FIG. 17**



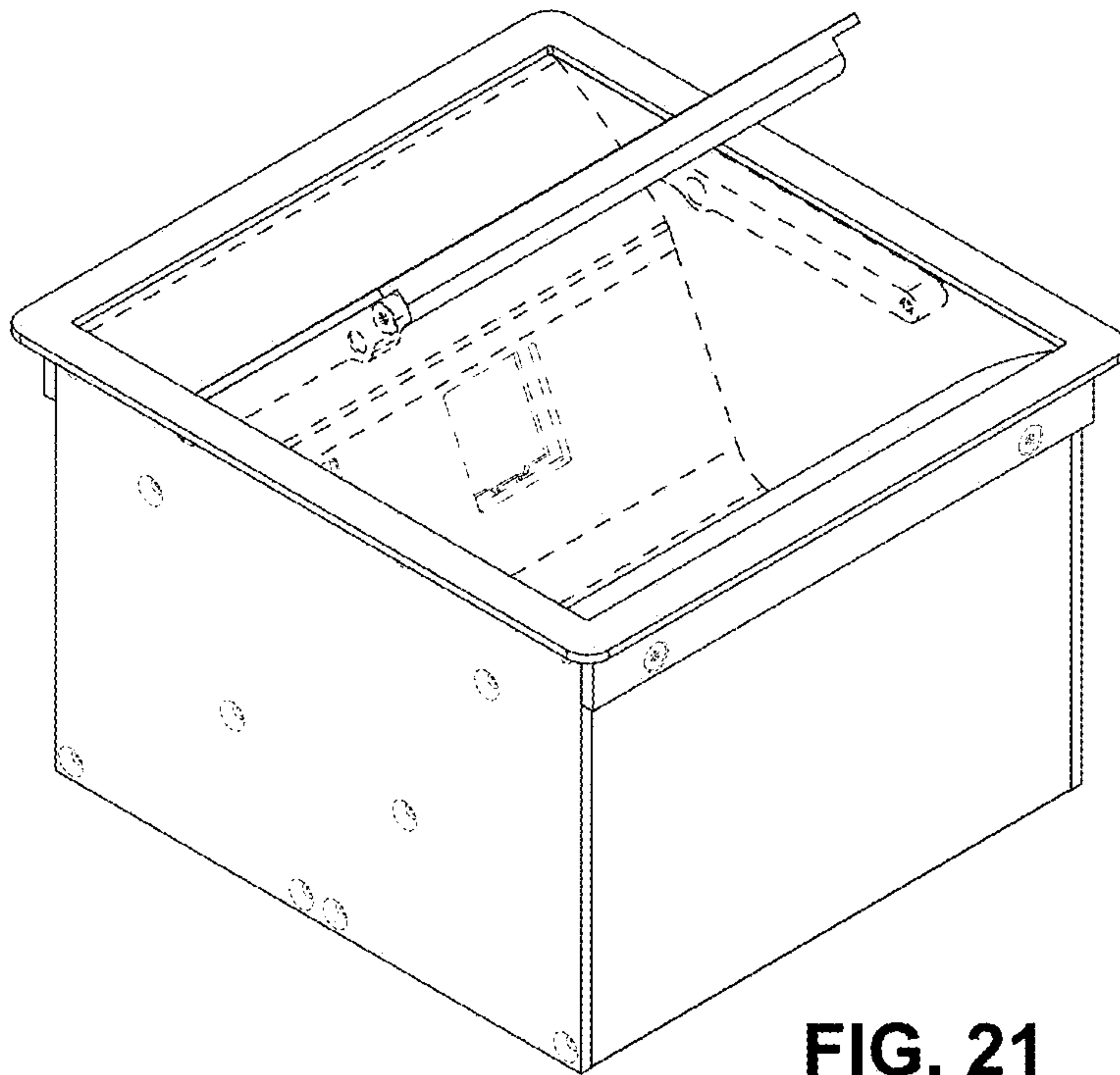
**FIG. 18**



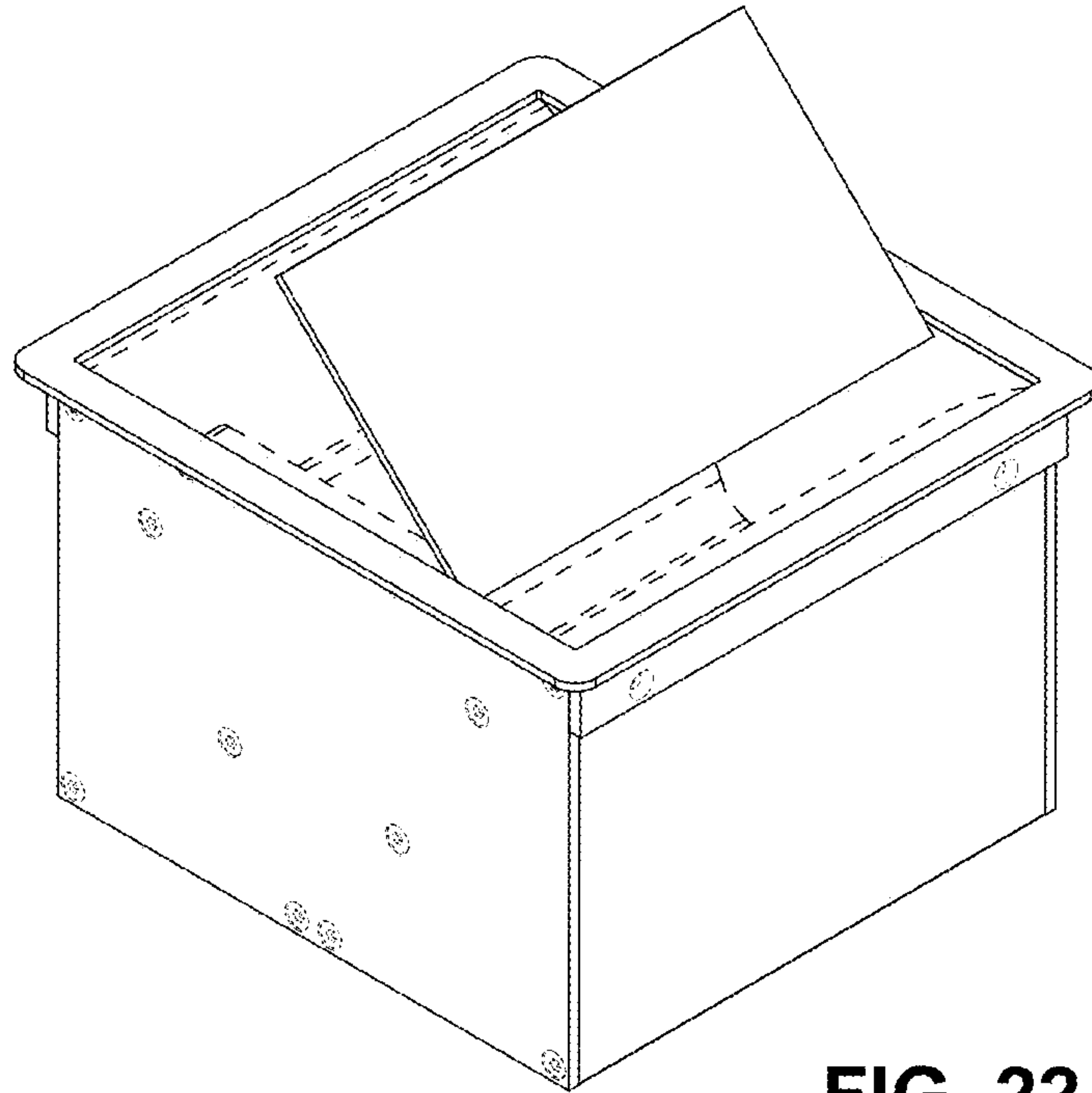
**FIG. 19**



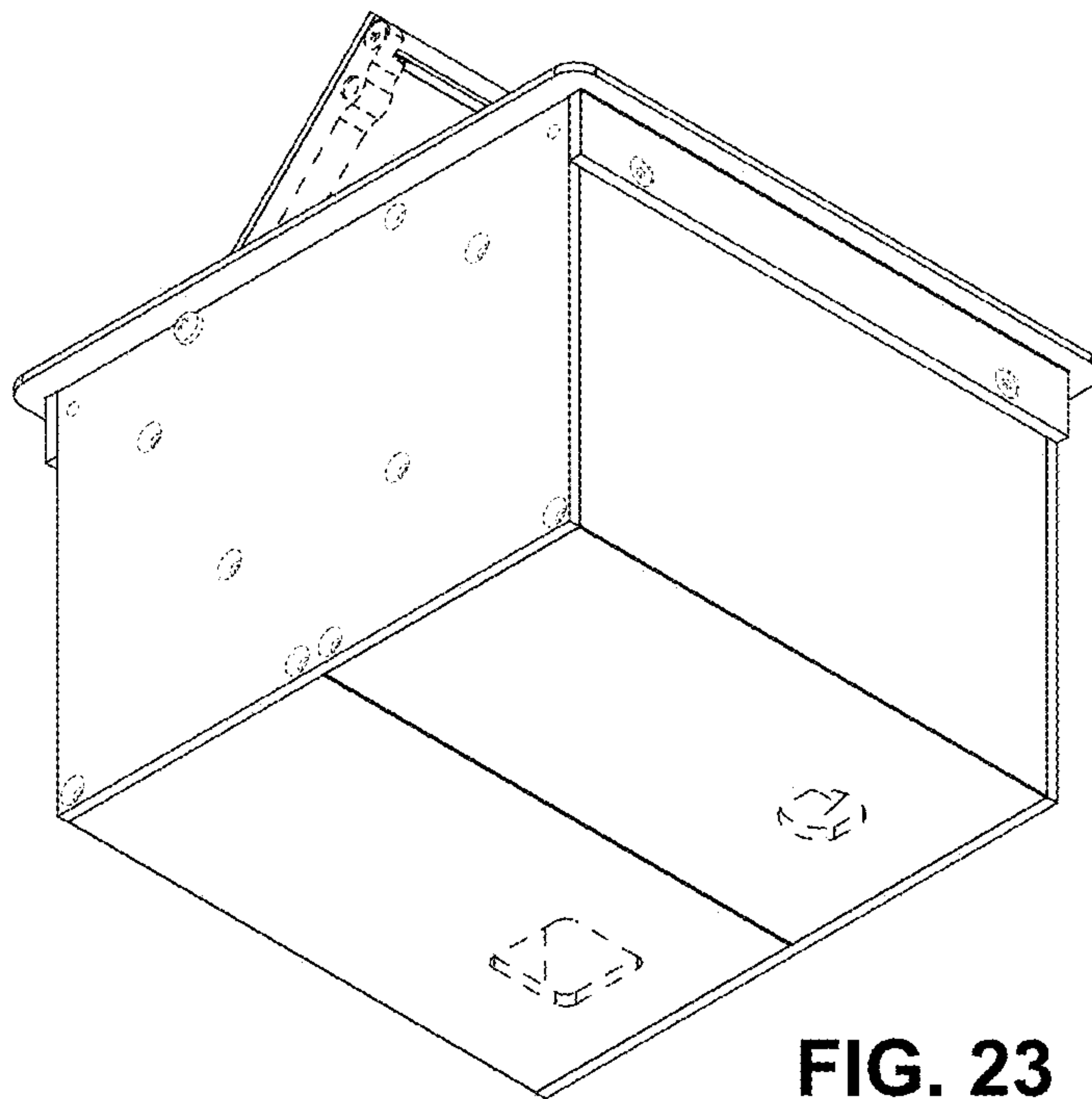
**FIG. 20**



**FIG. 21**



**FIG. 22**



**FIG. 23**



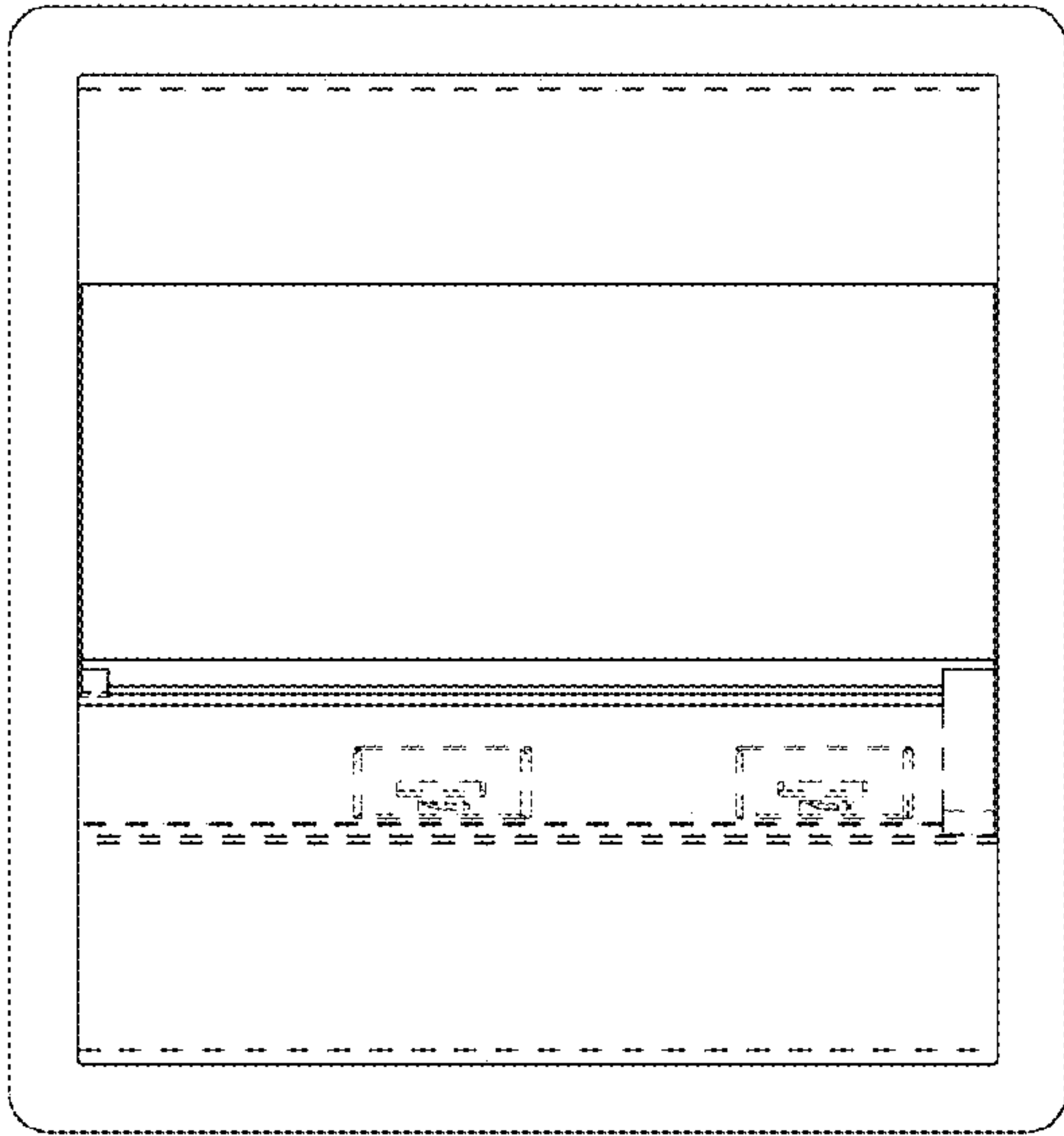


FIG. 24

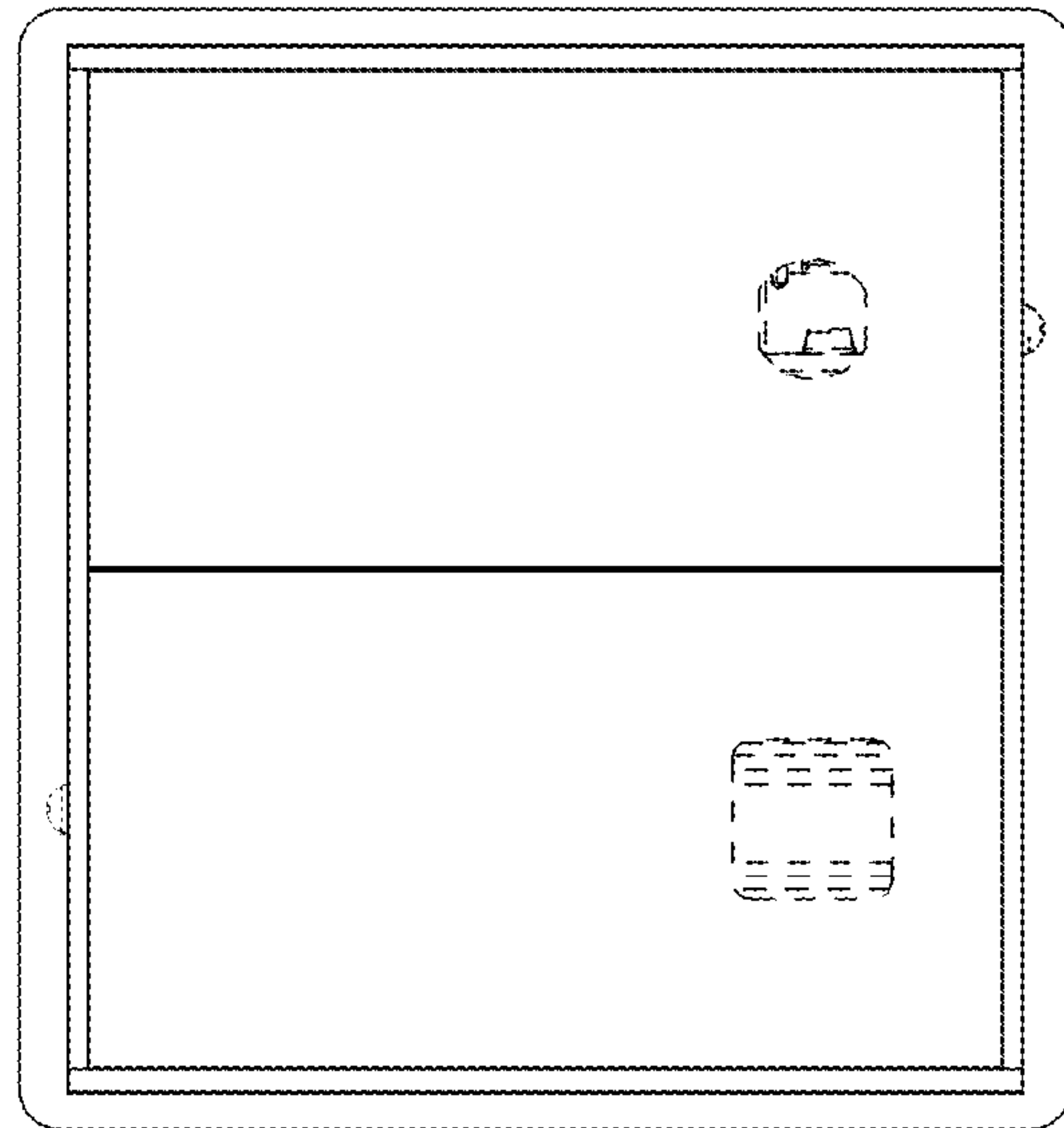


FIG. 25

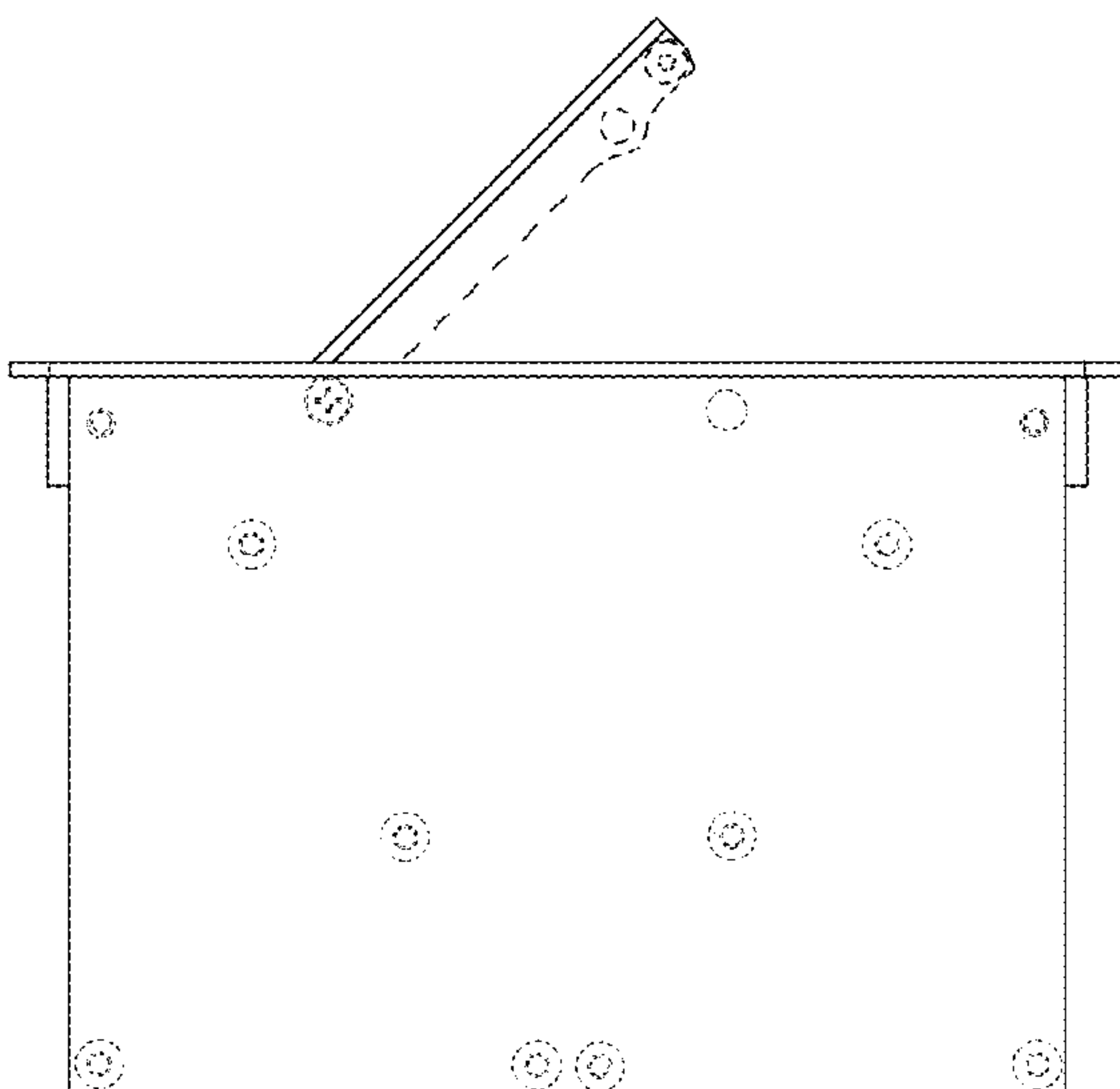


FIG. 26

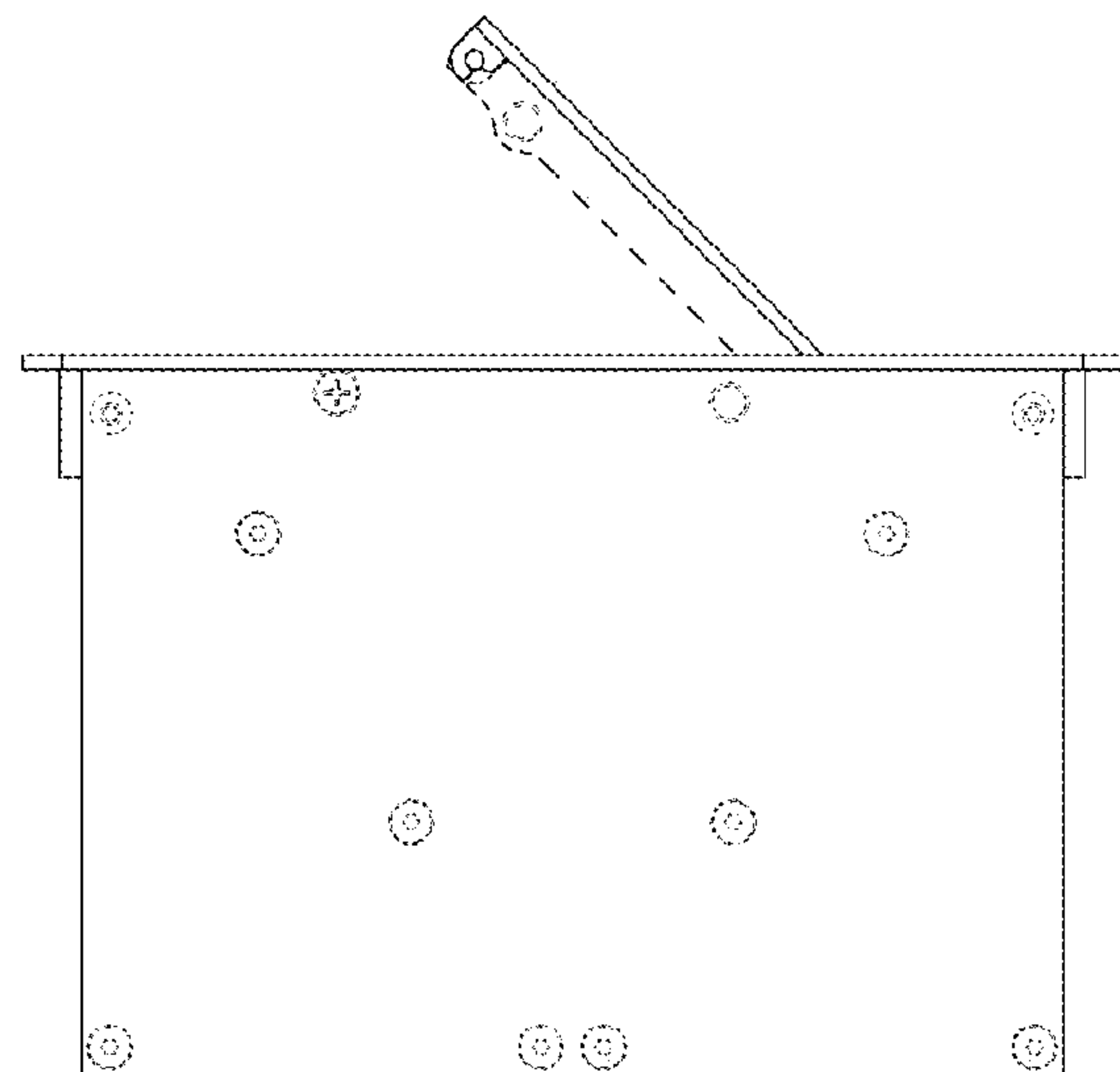


FIG. 27

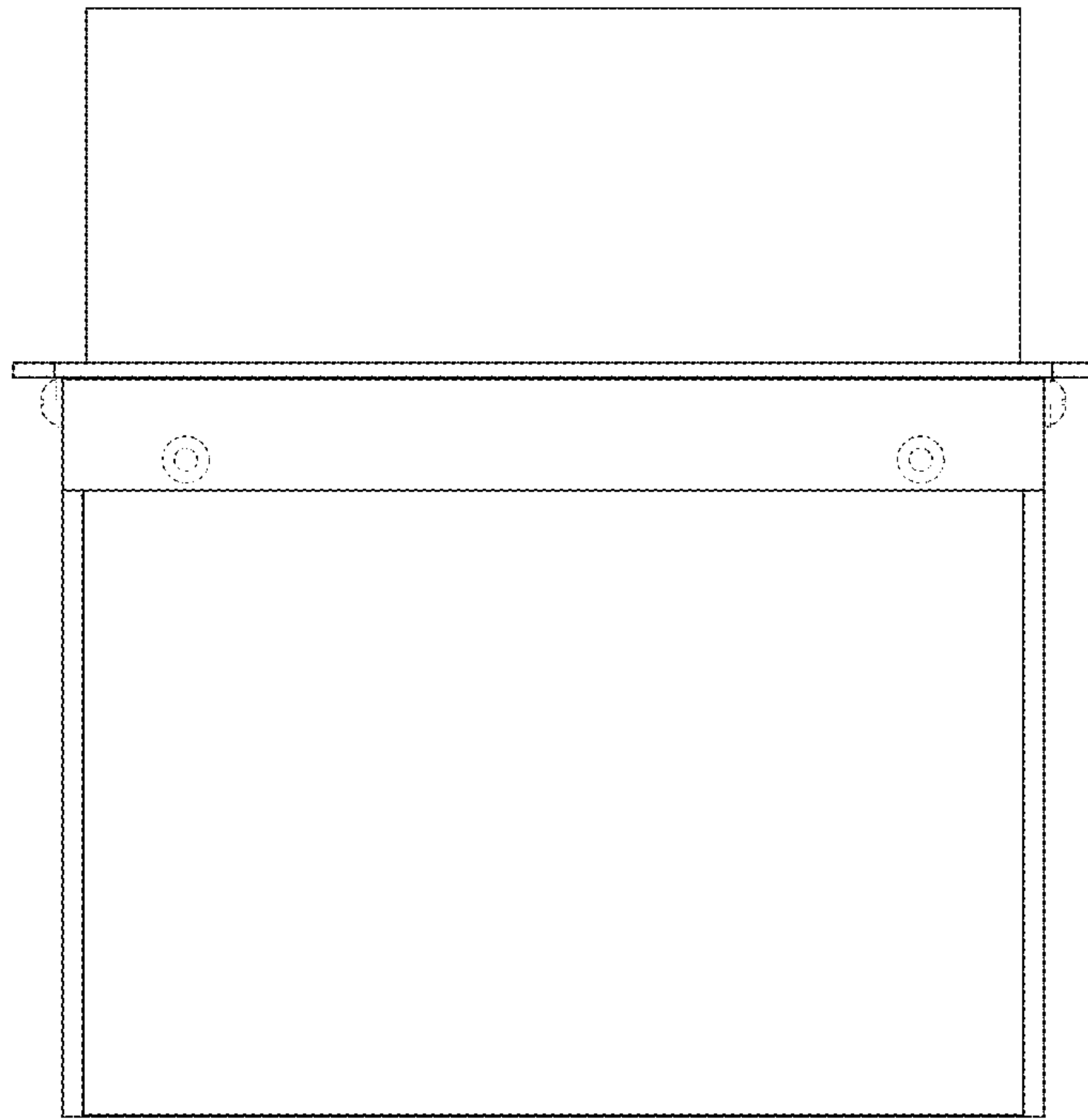


FIG. 28

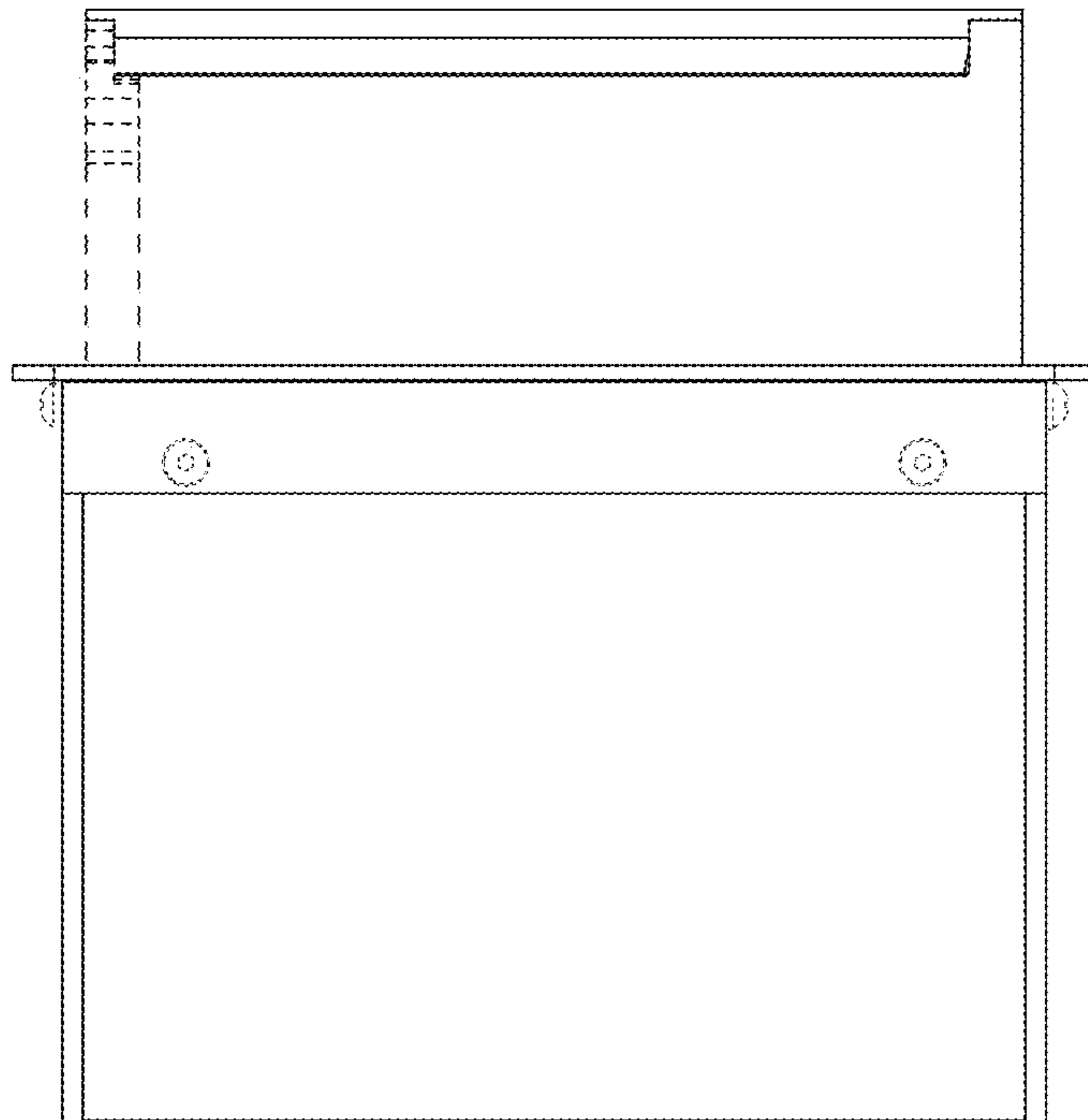


FIG. 29