



US00D887982S

(12) **United States Design Patent**
Schmidt

(10) **Patent No.:** **US D887,982 S**
(45) **Date of Patent:** **** Jun. 23, 2020**

(54) **FACE PLATE FOR AN OZONE GENERATOR**

OTHER PUBLICATIONS

(71) Applicant: **Michael P. Schmidt**, Clarence, NY
(US)

https://www.amazon.com/OdorStop-OS3500UV-Ozone-Generator-Blue/dp/B00NHR6VTC/ref=sr_1_3?crd=2GUGVEVVXTS63C&keywords=odorstop%2Bozone%2Bgenerator&qid=1574547386&srefix=odor%2Bstop%2Bozon%2Caps%2C150&sr=8-3&th=1
(Year: 2018).*

(72) Inventor: **Michael P. Schmidt**, Clarence, NY
(US)

* cited by examiner

(**) Term: **15 Years**

Primary Examiner — Derrick E Holland

(21) Appl. No.: **29/622,104**

(74) *Attorney, Agent, or Firm* — Vincent G. LoTempio

(22) Filed: **Oct. 13, 2017**

(51) **LOC (12) Cl.** **13-01**

(52) **U.S. Cl.**

USPC **D13/122**; D23/366

(58) **Field of Classification Search**

USPC D13/101, 108, 110, 112, 116, 118, 122,
D13/162, 162.1, 169, 171, 184, 199;
D10/125; D23/335, 364, 366, 367, 370

CPC C01B 2201/12; C01B 2201/22; C01B
2201/64; C01B 2201/76; C01B 13/11;
C01B 13/115; C02F 1/78; A61L
2209/134; A61L 2209/212; A61L 9/015

See application file for complete search history.

(57) **CLAIM**

The ornamental design of a face plate for an ozone generator, as shown and described.

DESCRIPTION

FIG. 1 is a perspective view of a face plate for an ozone generator showing my new design;
FIG. 2 is a front view thereof;
FIG. 3 is a rear view thereof;
FIG. 4 is a right side view thereof;
FIG. 5 is a left side view thereof;
FIG. 6 is a top view thereof; and,
FIG. 7 is a bottom view thereof.

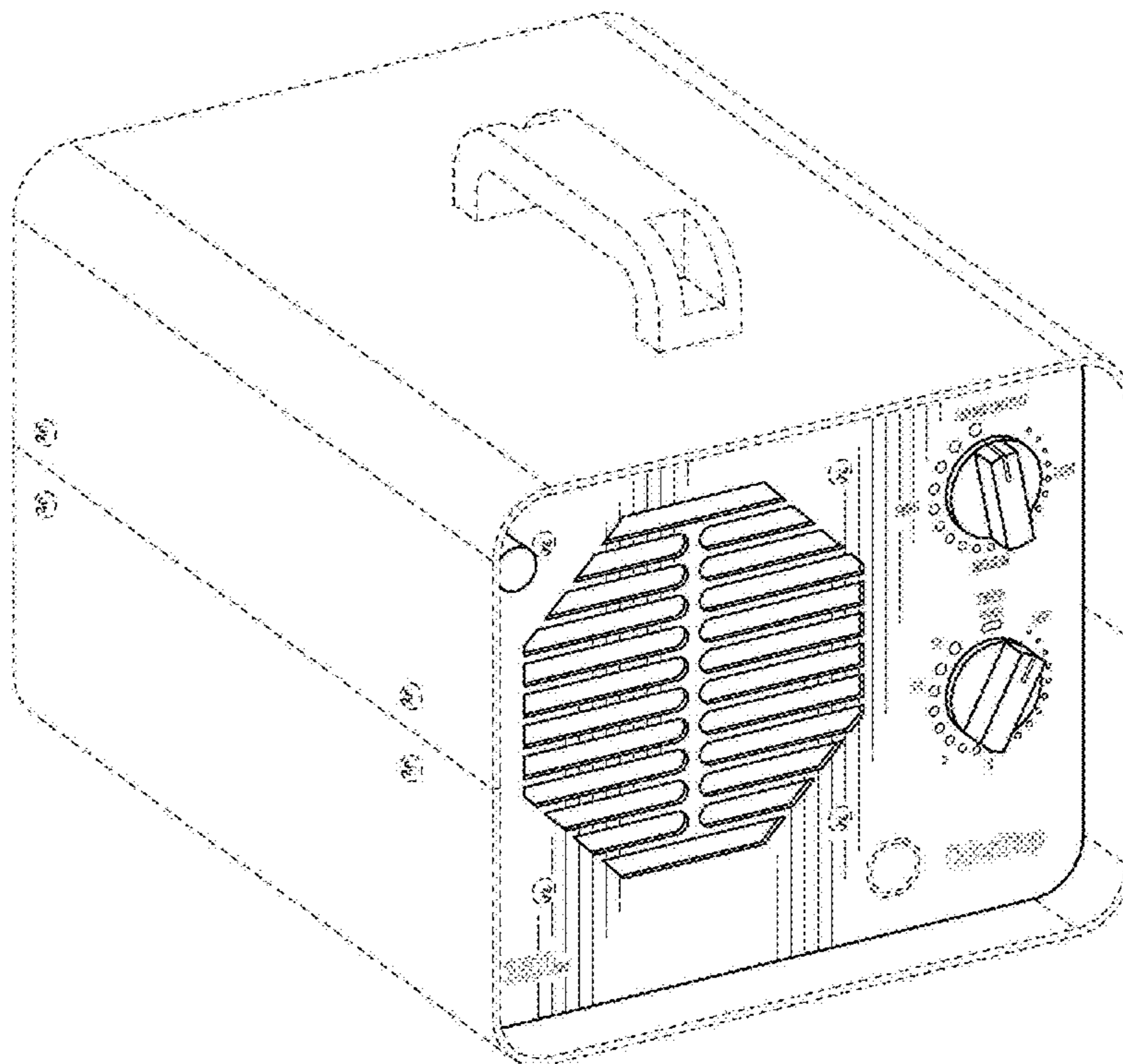
The broken lines in the figures illustrate the portions of a face plate for an ozone generator that form no part of the claimed design.

(56) **References Cited**

U.S. PATENT DOCUMENTS

D361,828 S *	8/1995	Chen	D23/332
D616,377 S *	5/2010	Bussen	D13/162.1
D630,581 S *	1/2011	Xu	D13/116
D679,259 S *	4/2013	Franchini	D13/162.1
D790,466 S *	6/2017	Lin	D13/112
2017/0015556 A1 *	1/2017	Hart	C01B 13/11

1 Claim, 4 Drawing Sheets



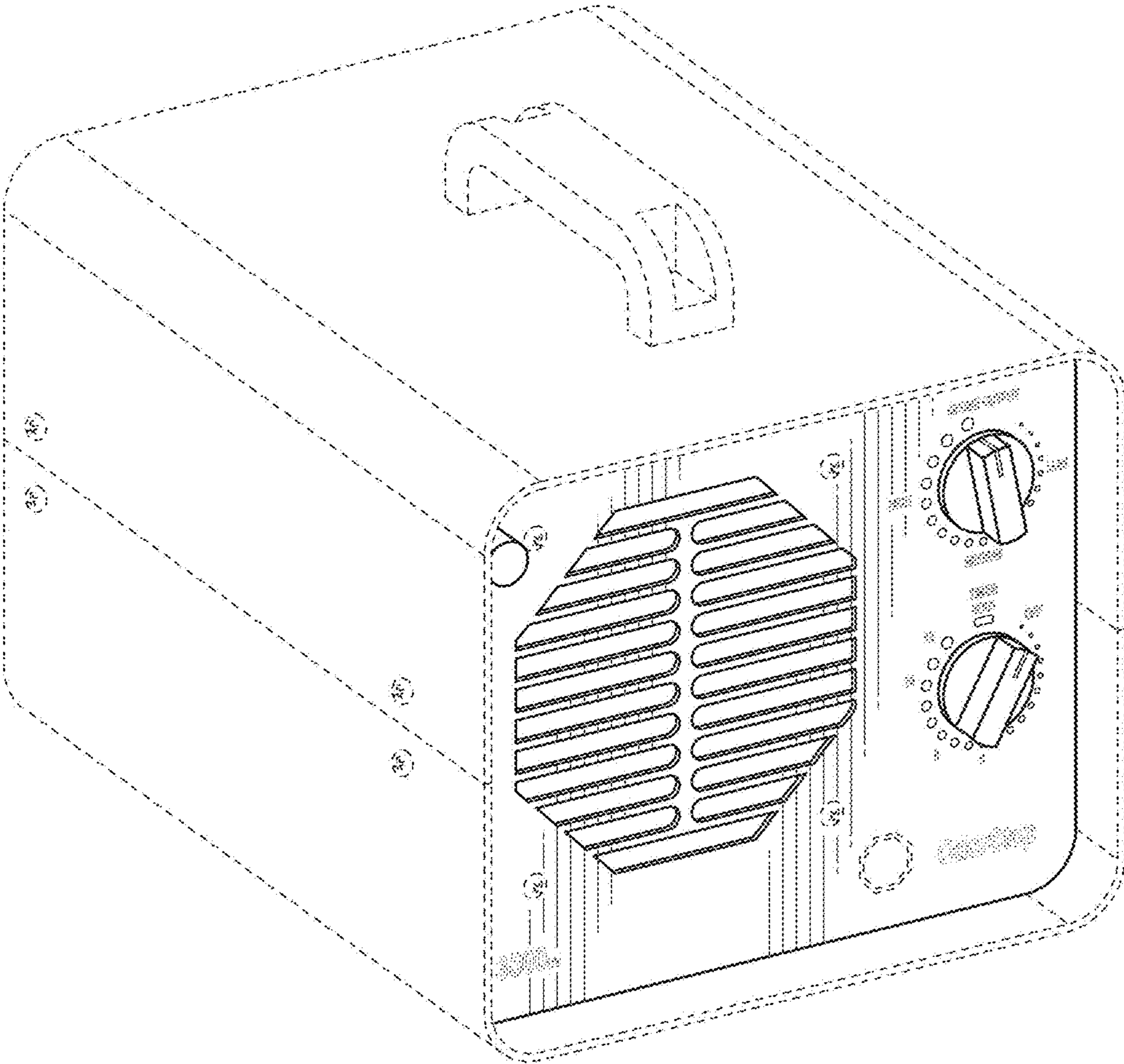


FIG. 1

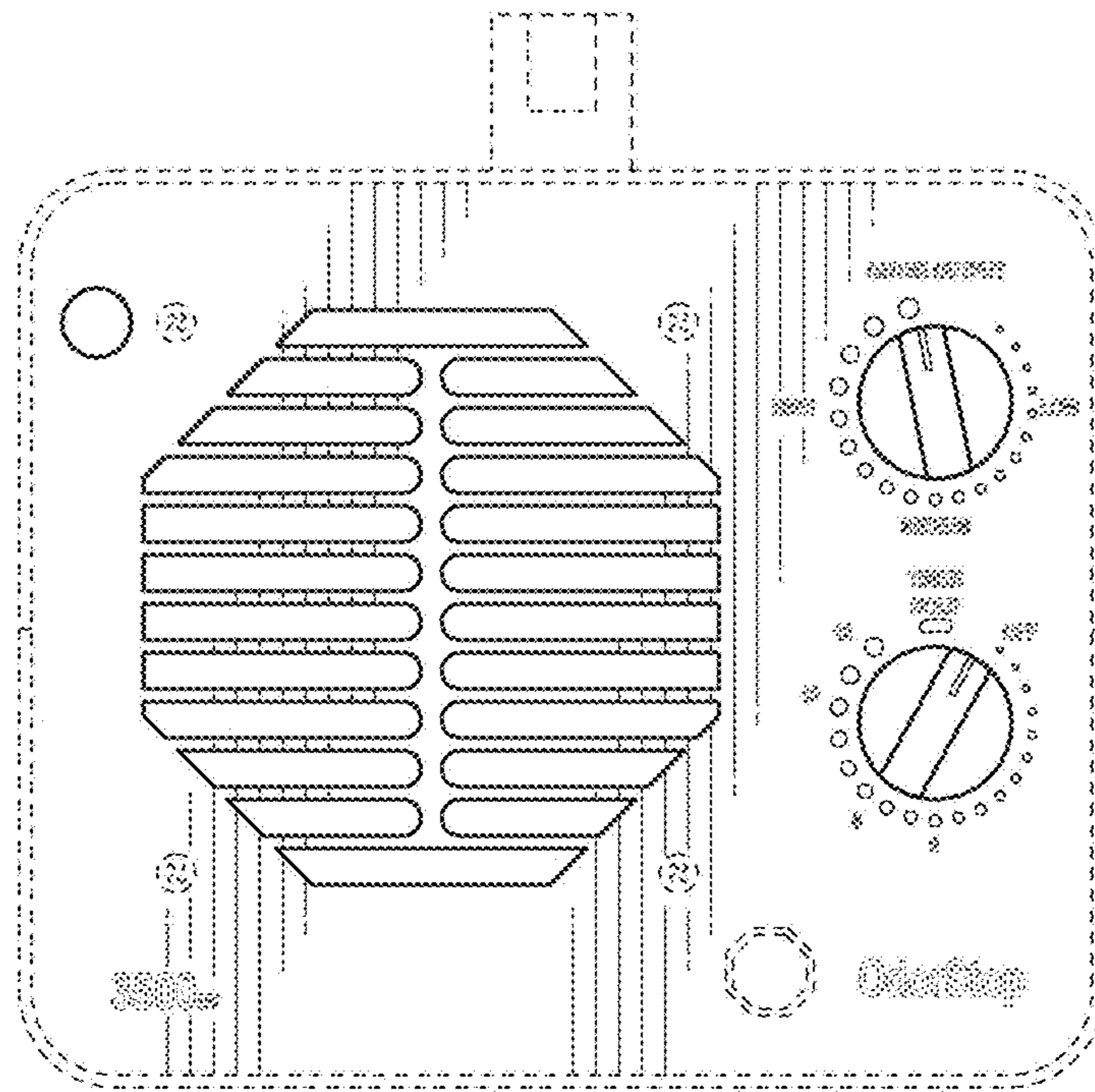


FIG. 2

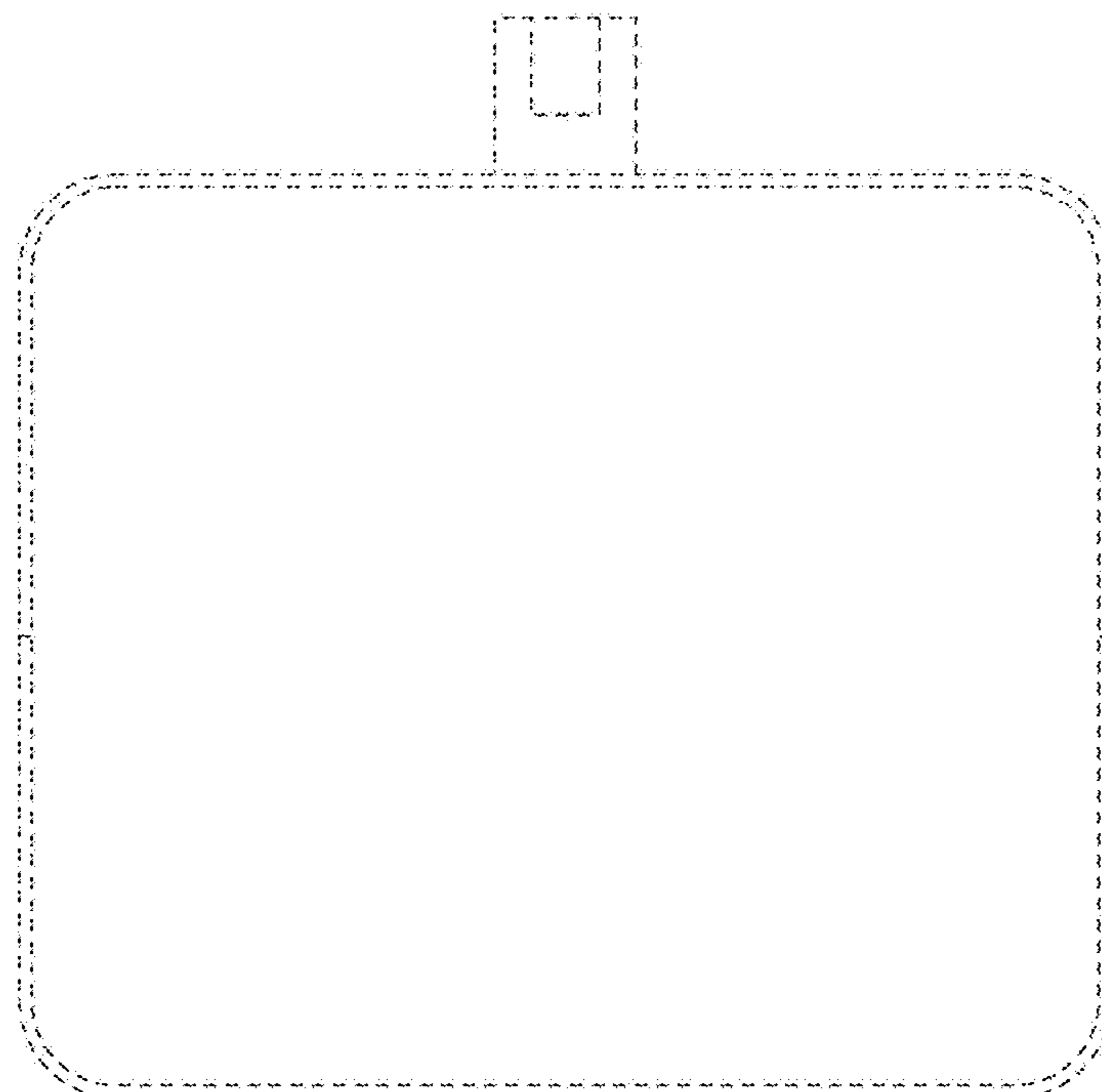


FIG. 3

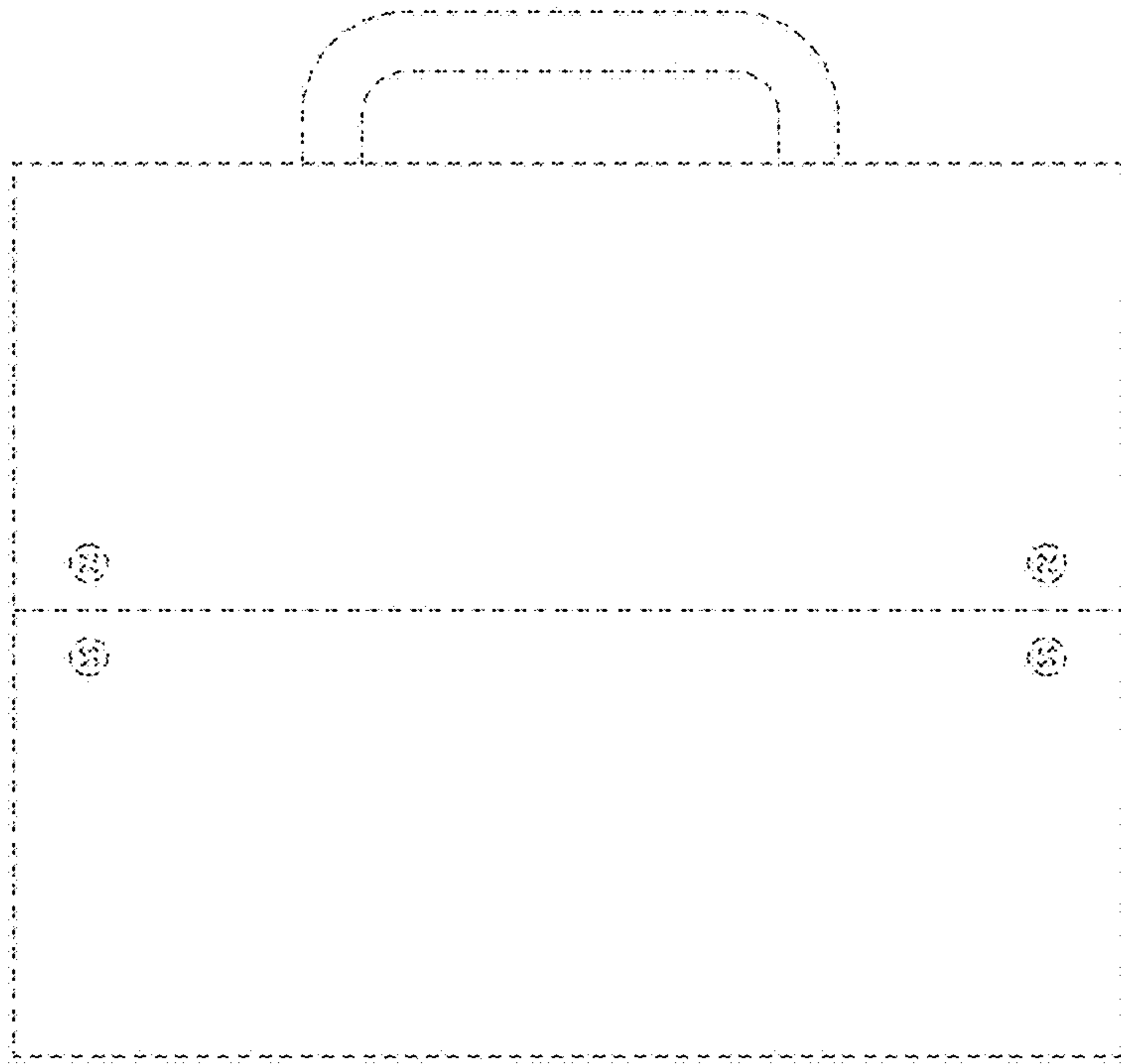


FIG. 4

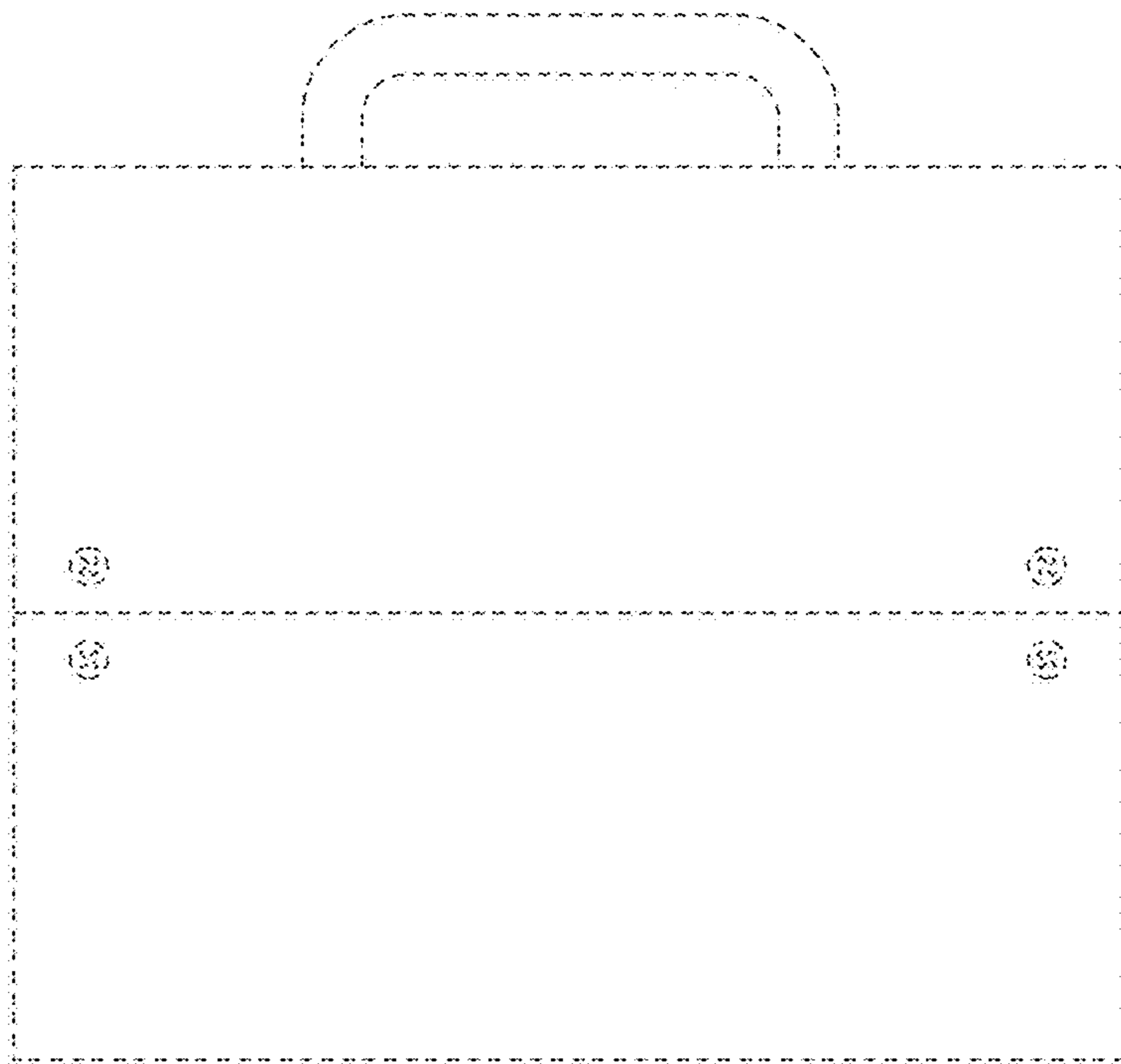


FIG. 5

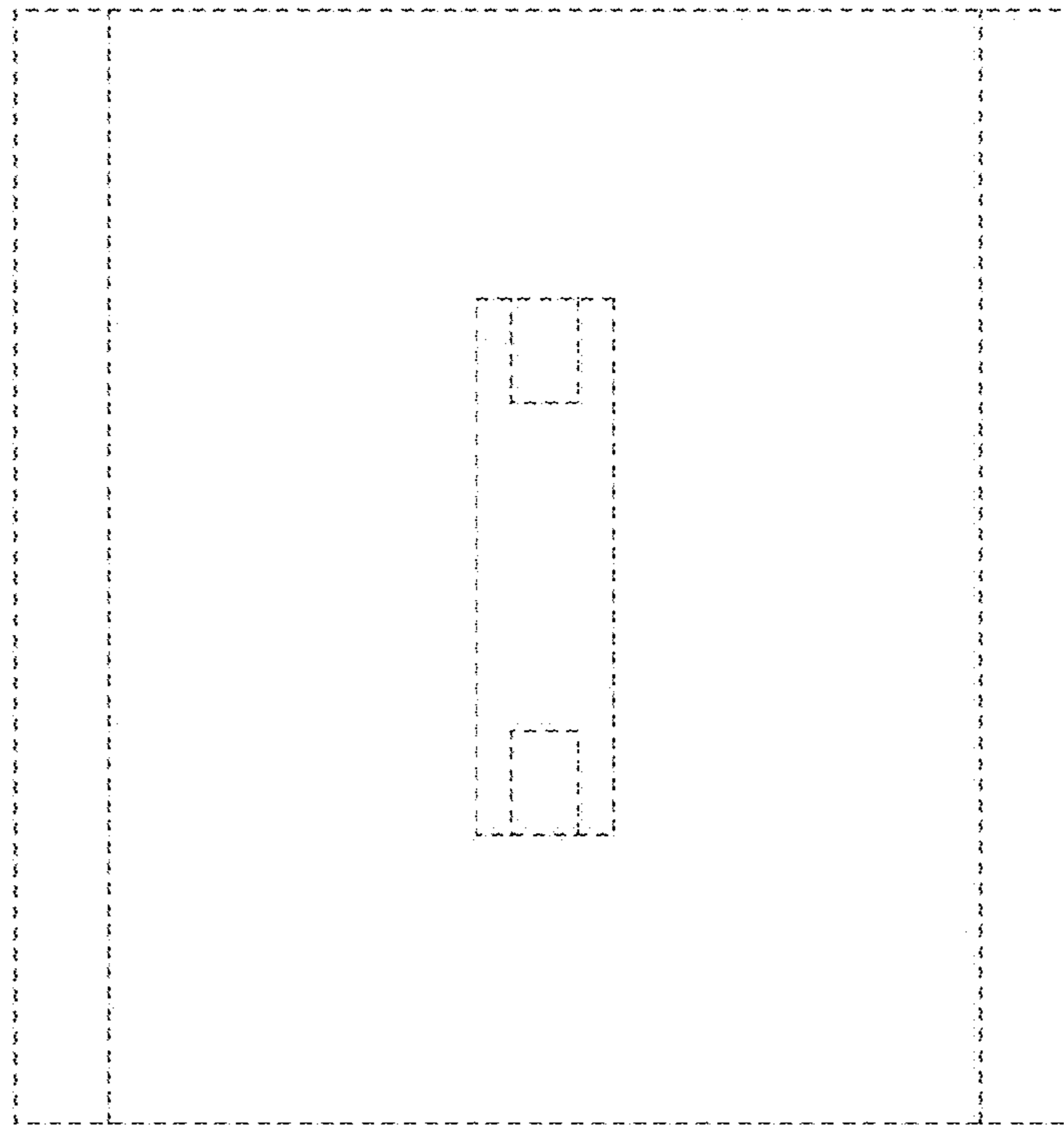


FIG. 6

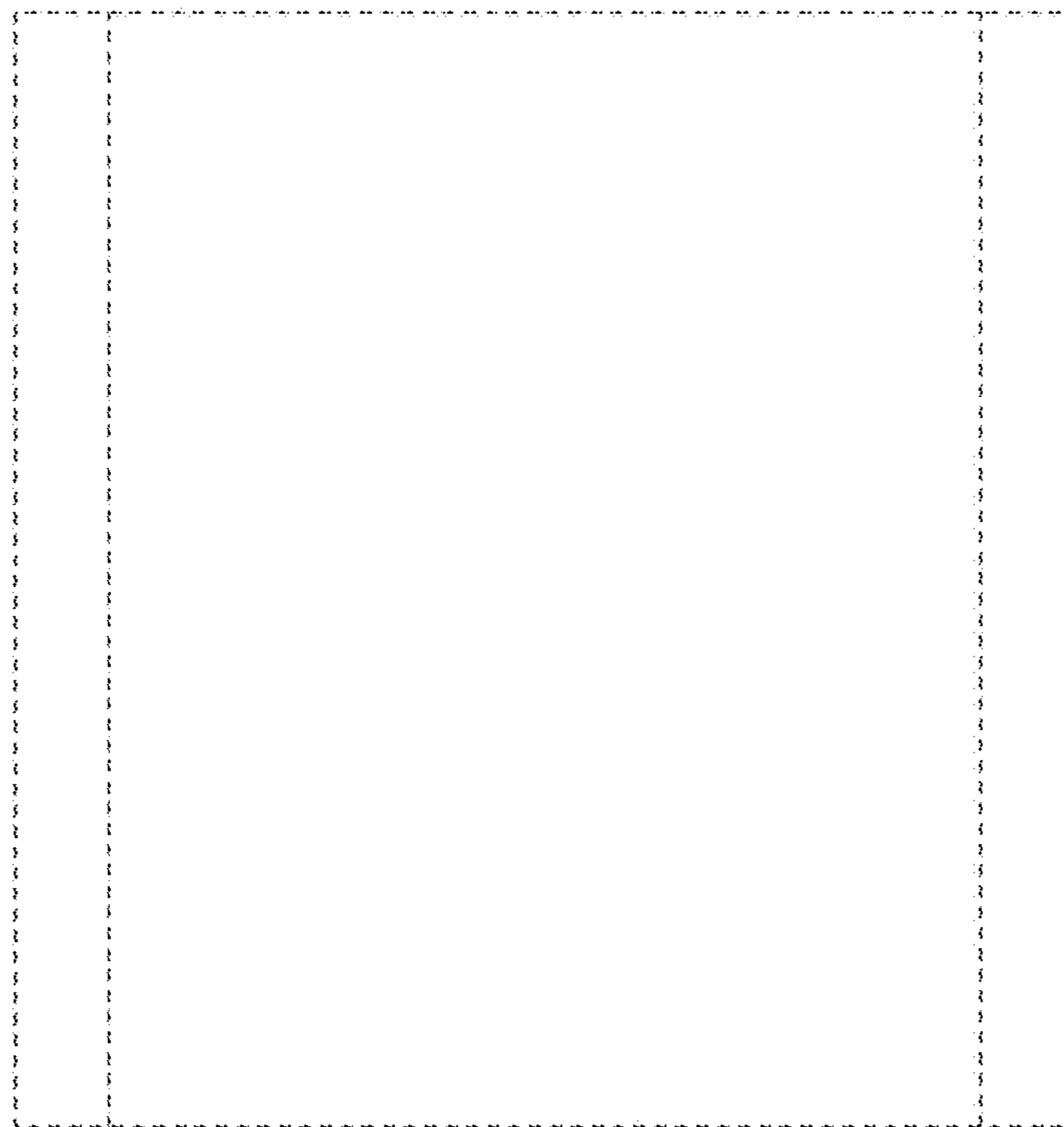


FIG. 7