



US00D887981S

(12) **United States Design Patent**
Roberts et al.

(10) **Patent No.:** **US D887,981 S**
(45) **Date of Patent:** **** Jun. 23, 2020**

(54) **BATTERY PACK ADAPTOR**

(71) Applicant: **Black & Decker Inc.**, New Britain, CT (US)

(72) Inventors: **Michael W. Roberts**, Red Lion, PA (US); **Ryan Klee**, Baltimore, MD (US); **Michael Varipatis**, Fallston, MD (US); **Christopher R. Held**, Abbottstown, PA (US); **Gabriel E. Concari**, Eldersburg, MD (US); **Abhisheka Moturu**, Pikesville, MD (US)

(73) Assignee: **Black & Decker Inc.**, New Britain, CT (US)

(**) Term: **15 Years**

(21) Appl. No.: **29/593,369**

(22) Filed: **Feb. 8, 2017**

(51) **LOC (12) Cl.** **13-02**

(52) **U.S. Cl.**
USPC **D13/119; D13/103**

(58) **Field of Classification Search**
USPC D13/103, 107, 108, 110, 123, 133, D13/137.1–137.4, 138.1–138.2, D13/139.1–139.8, 152, 154, 184, 118, D13/119, 199
CPC H01R 25/00; H01R 25/006; H01R 13/00; H01R 13/04; H01R 13/10; H01R 13/6666; H01R 13/6675; H01R 13/62; H01R 13/66;

(Continued)

(56) **References Cited**

U.S. PATENT DOCUMENTS

D321,338 S * 11/1991 Sakamoto D13/103
D384,639 S * 10/1997 Kawakami D13/103

(Continued)

OTHER PUBLICATIONS

Amazon.com: DEWALT 18v to 20v Adapter—Bare (DCA1820). Date First Available of Oct. 13, 2015. Retrieved from the internet at

<<https://www.amazon.com/DEWALT-18v-20v-Adapter-DCA1820/dp/B016K1UD0E/>>, Aug. 2, 2019. 1 page. (Year: 2015).*

(Continued)

Primary Examiner — Rosemary K Tarcza
Assistant Examiner — Christy M Nemeth
(74) *Attorney, Agent, or Firm* — Michael Aronoff

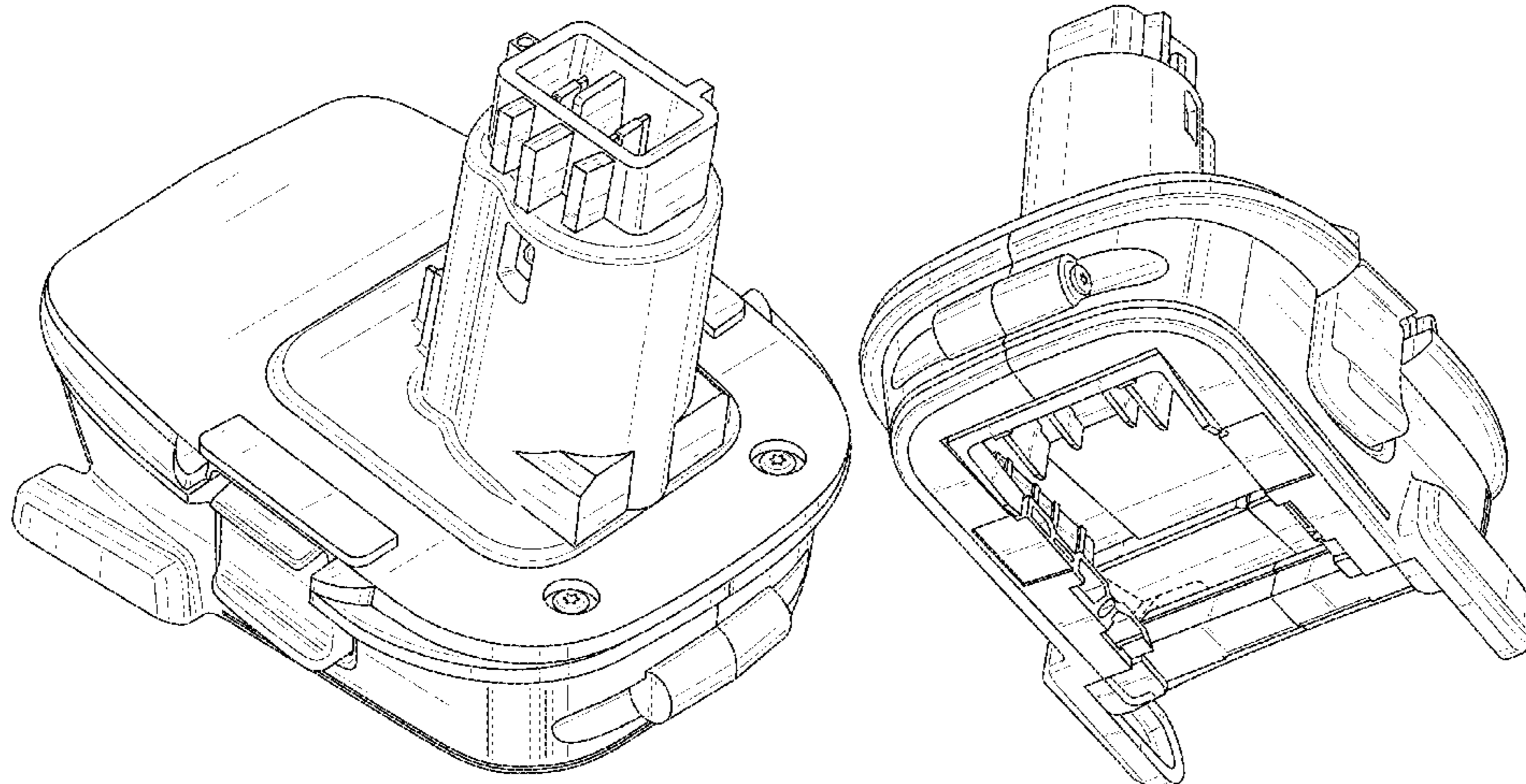
(57) **CLAIM**

The ornamental design for a battery pack adaptor, as shown and described.

DESCRIPTION

FIG. 1 is a top-rear-right side perspective view of a battery pack adaptor of the present invention.
FIG. 2 is a front elevation view of the battery pack adaptor of FIG. 1.
FIG. 3 is a left side elevation view of the battery pack adaptor of FIG. 1.
FIG. 4 is a rear elevation view of the battery pack adaptor of FIG. 1.
FIG. 5 is a right side elevation view of the battery pack adaptor of FIG. 1.
FIG. 6 is a top plan view of the battery pack adaptor of FIG. 1.
FIG. 7 is a bottom plan view of the battery pack adaptor of FIG. 1.
FIG. 8 is a bottom-front-right side perspective view of the battery pack adaptor of FIG. 1.
FIG. 9 is a bottom-rear-right side perspective view of the battery pack adaptor of FIG. 1.
FIG. 10 is a bottom-rear-left side perspective view of the battery pack adaptor of FIG. 1; and,
FIG. 11 is a bottom-front-left side perspective view of the battery pack adaptor of FIG. 1.
The broken lines present in the figures are included for the purpose of illustrating portions of the article that form no part of the claimed design.

1 Claim, 11 Drawing Sheets



(58) **Field of Classification Search**
 CPC H01R 9/00; H01R 11/00; H01H 2207/00;
 H01H 2207/022; H01H 2203/00; H02J
 7/00; H02J 7/0003; H02J 7/0011; H02J
 7/0013; H02J 7/0054; H02J 7/0055; H02J
 7/0057; H01M 2/02; H01M 2/022; H01M
 2/0202; H01M 2/0207; H01M 2/0212;
 H01M 2220/10; H01M 2220/20; Y02E
 60/12; Y02E 60/122; Y02E 60/124; Y02E
 60/50; H02G 3/285

See application file for complete search history.

(56) **References Cited**

U.S. PATENT DOCUMENTS

D412,485 S * 8/1999 Kato D13/103
 D417,648 S * 12/1999 Clowers D13/103
 6,007,939 A * 12/1999 Clowers B25F 5/00
 429/100
 D432,077 S * 10/2000 Zurwelle D13/103
 D466,863 S * 12/2002 Zurwelle D13/119
 D474,445 S * 5/2003 Matsuoka D13/103
 D488,774 S * 4/2004 Zufall D13/103
 D504,111 S * 4/2005 Ozawa D13/103
 D504,394 S * 4/2005 Cheung D13/103
 D530,270 S * 10/2006 Ozawa D13/103

D544,436 S * 6/2007 Kawahara D13/103
 D553,562 S * 10/2007 Okada D13/103
 D579,868 S * 11/2008 Harrison D13/103
 D580,353 S * 11/2008 Harrison D13/103
 D590,333 S * 4/2009 Price D13/103
 D622,660 S * 8/2010 Taniguchi D13/103
 7,799,448 B2 * 9/2010 Cruise H01M 2/1022
 429/7
 7,953,965 B2 * 5/2011 Qin G06F 9/4401
 713/1
 8,383,263 B2 * 2/2013 Cruise H01M 2/1022
 429/163
 D682,195 S * 5/2013 Aglassinger D13/103
 D699,672 S * 2/2014 Kosugi D13/103
 9,871,370 B2 * 1/2018 Friedman H02H 3/087
 D817,869 S * 5/2018 Lee D13/103
 D823,247 S * 7/2018 Lemelson D13/108

OTHER PUBLICATIONS

HomeDepot.com: DEWALT 20-Volt MAX Lithium-Ion Battery Adapter for 18-Volt Tools. Review date of May 8, 2016. Retrieved from the internet at <[https://www.homedepot.com/p/DEWALT-20-Volt-MAX-Lithium-Ion-Battery-Adapter-for-18-Volt-Tools-DCA1820/206525714?>](https://www.homedepot.com/p/DEWALT-20-Volt-MAX-Lithium-Ion-Battery-Adapter-for-18-Volt-Tools-DCA1820/206525714?), Aug. 2, 2019. 1 page. (Year: 2016).*

* cited by examiner

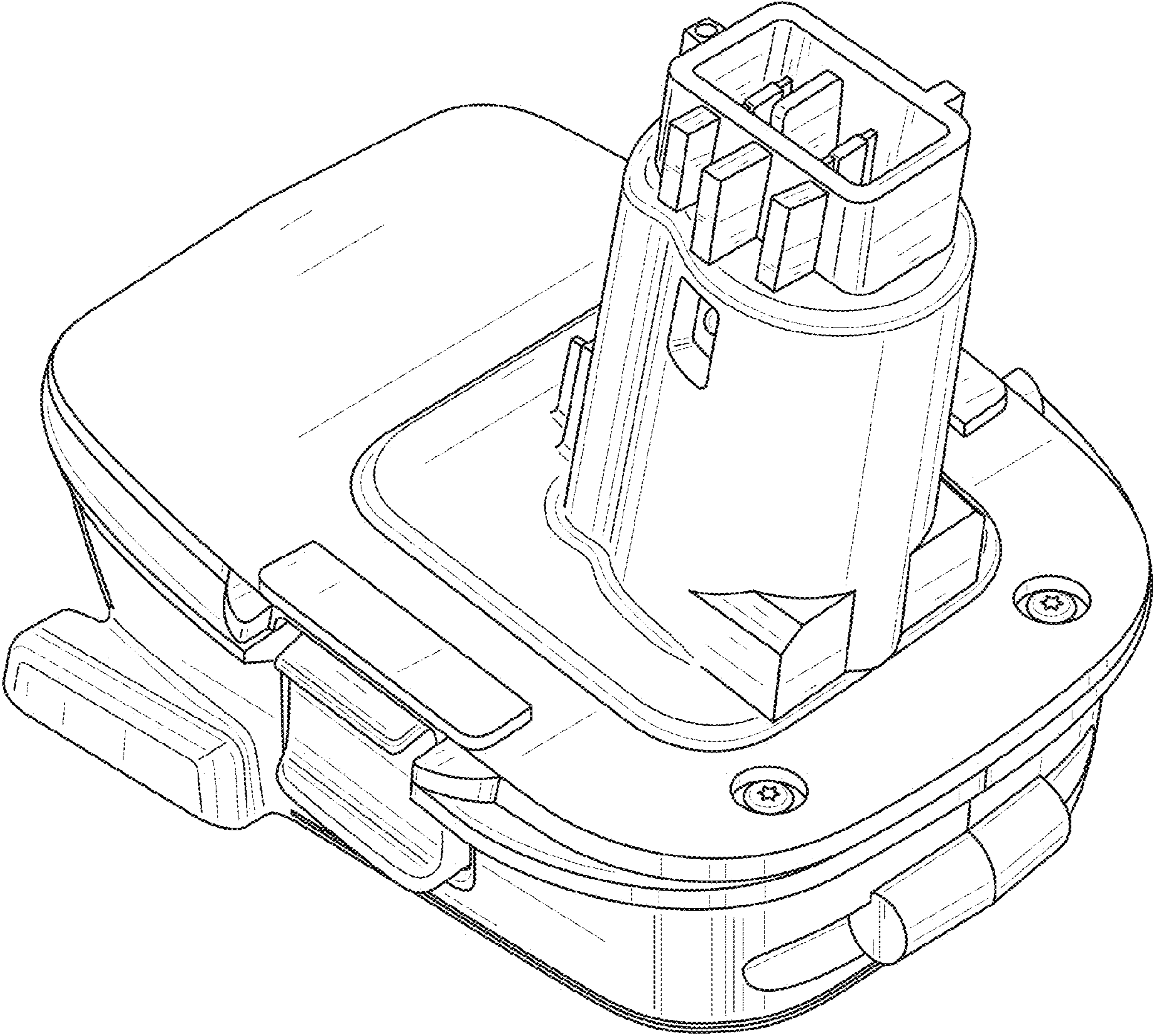


FIG. 1

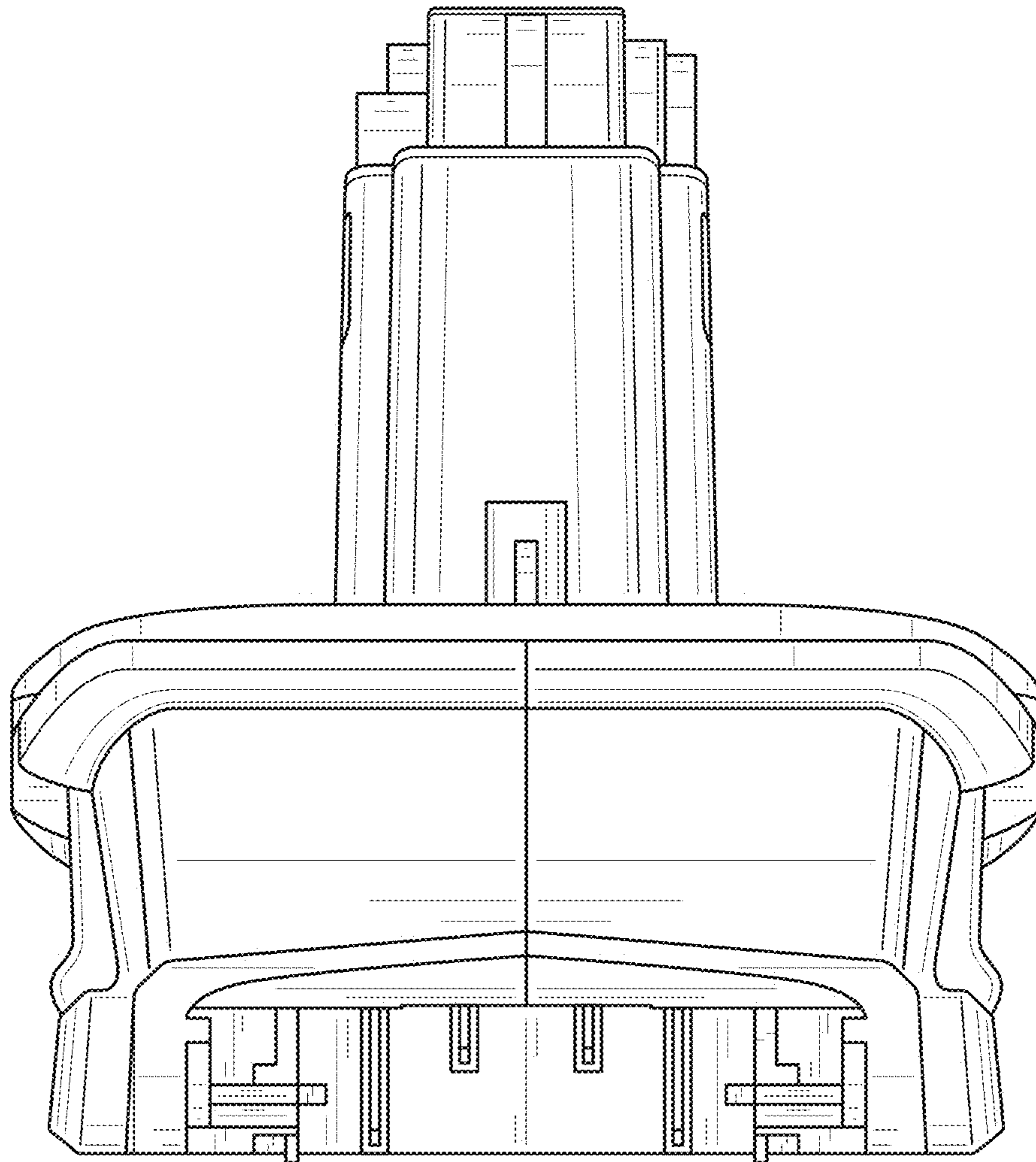


FIG. 2

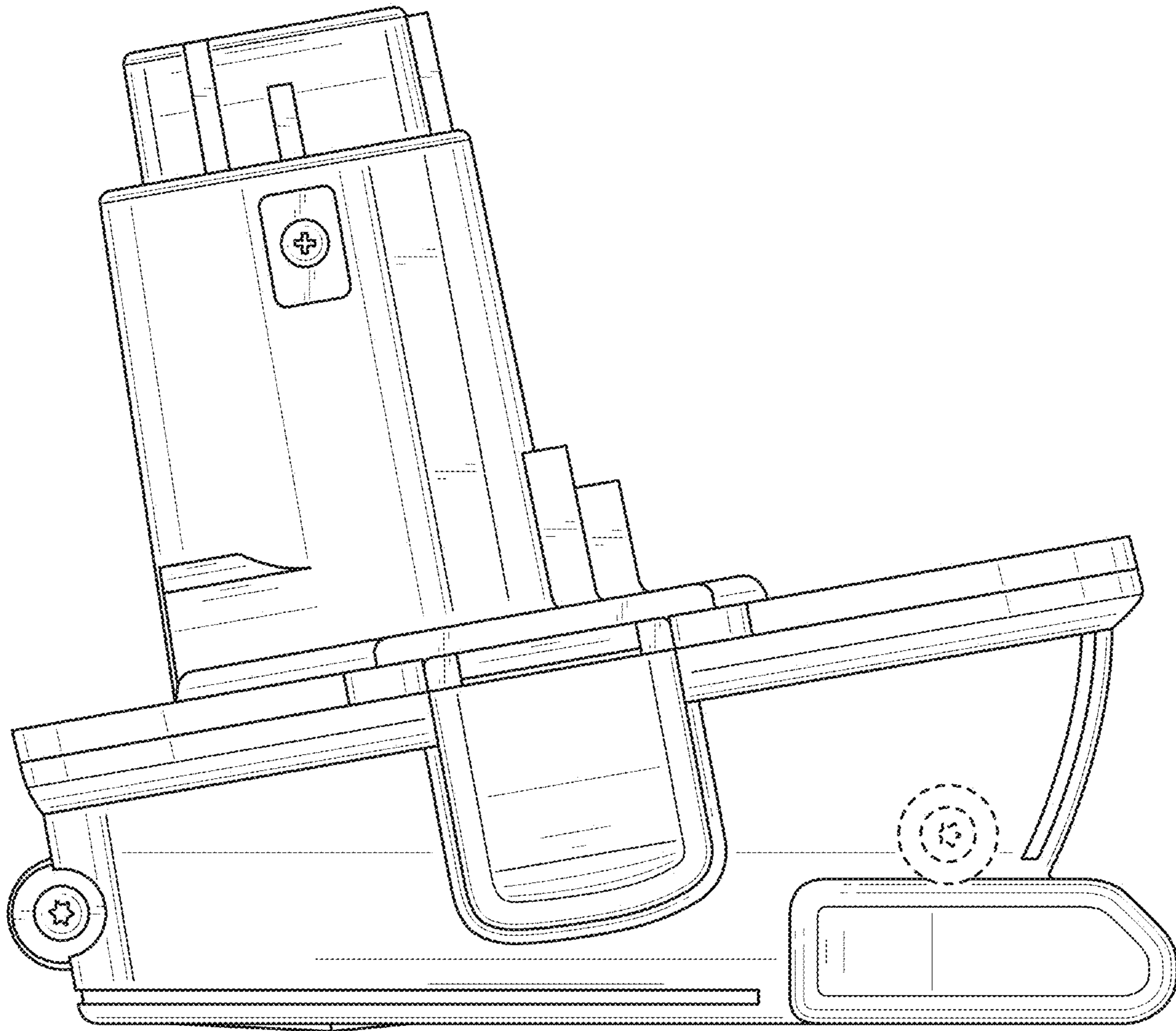


FIG. 3

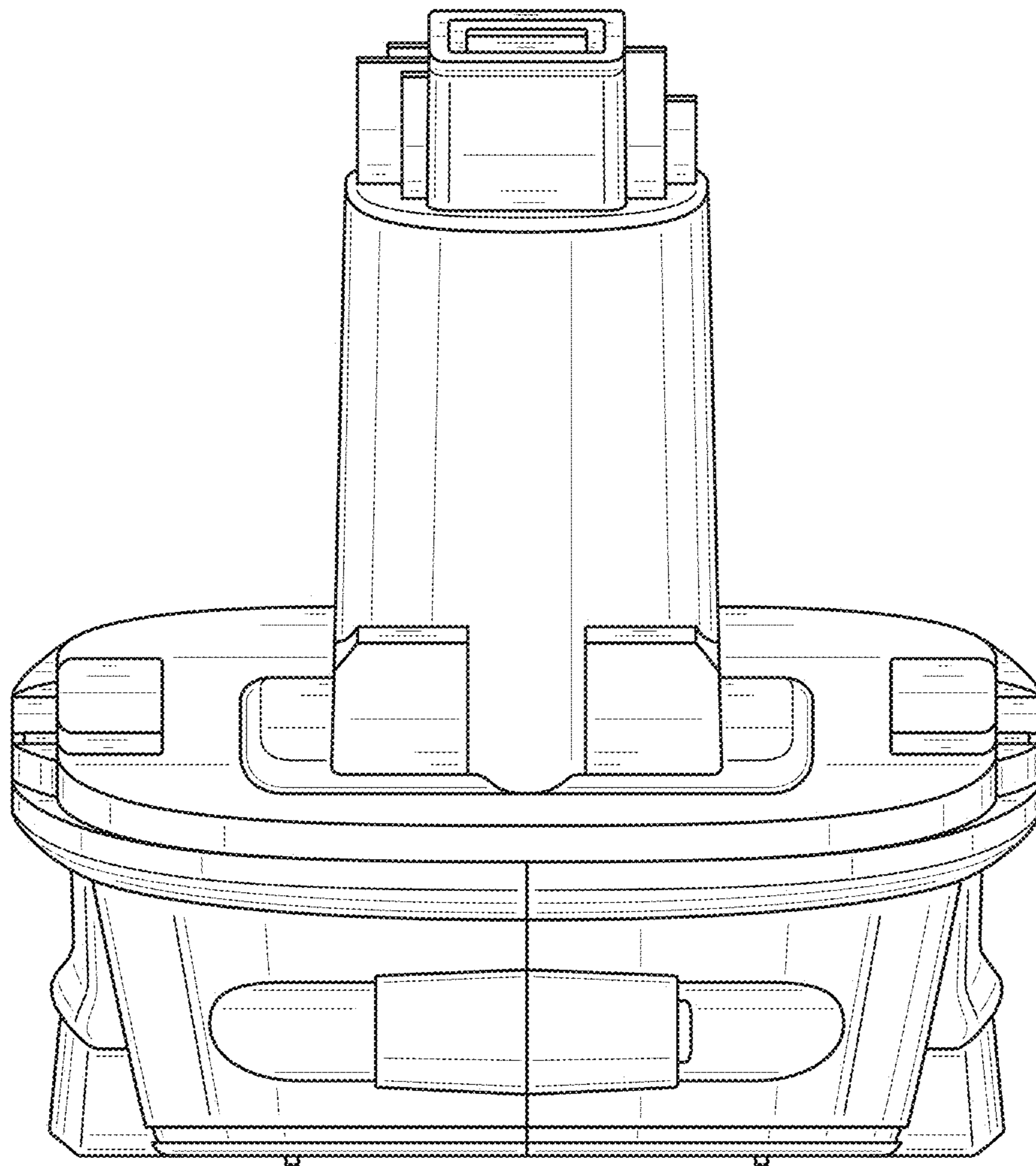


FIG. 4

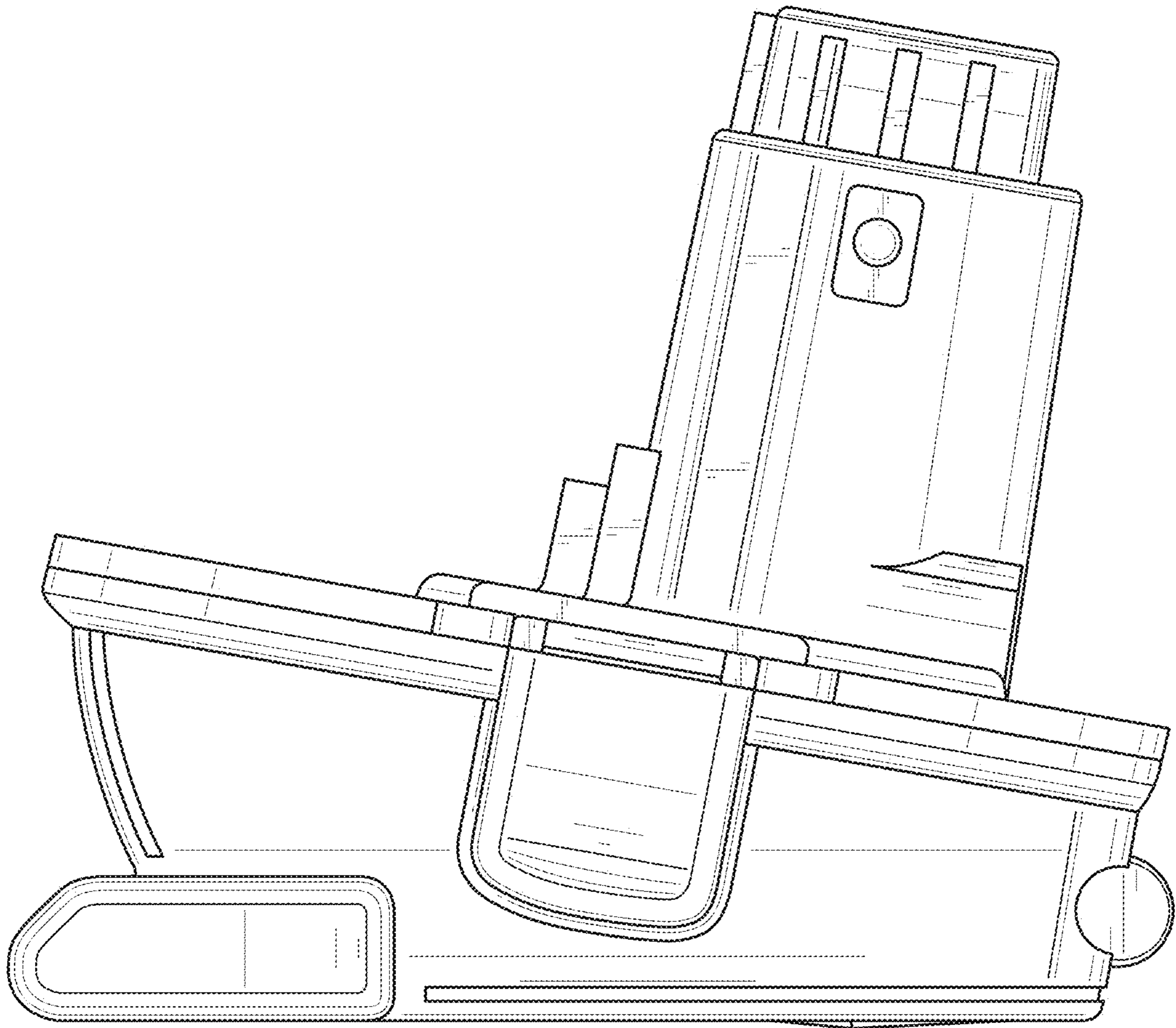


FIG. 5

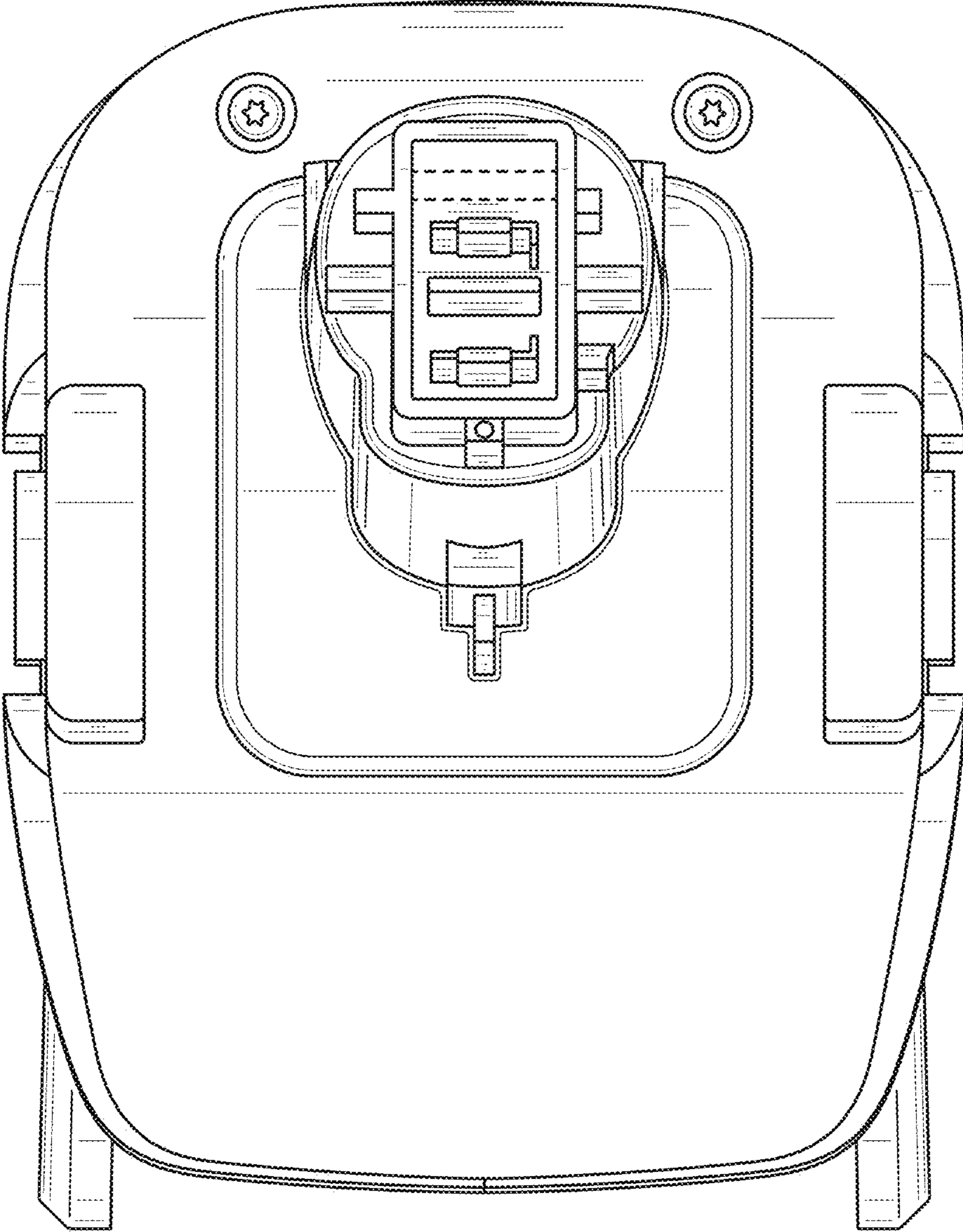


FIG. 6

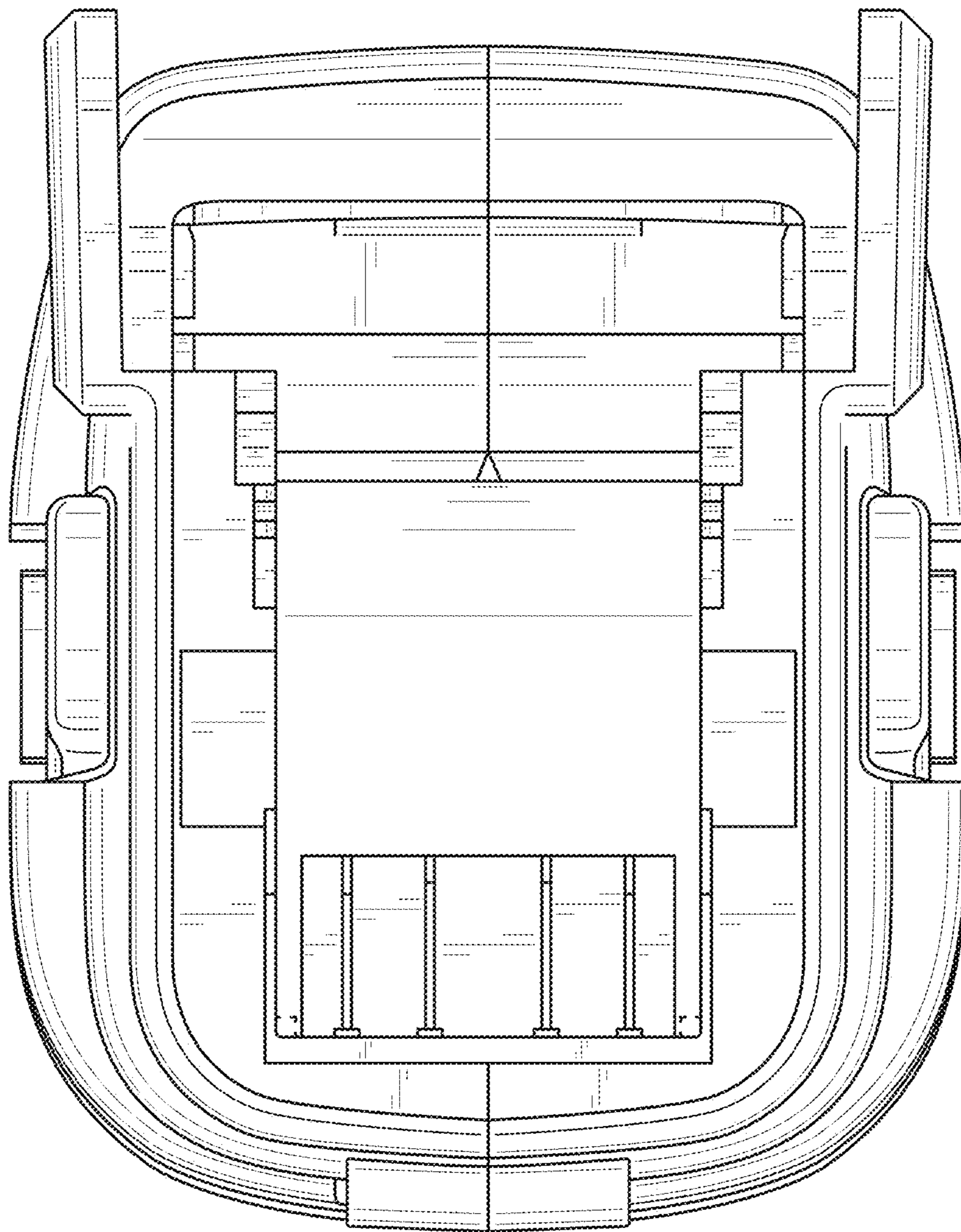


FIG. 7

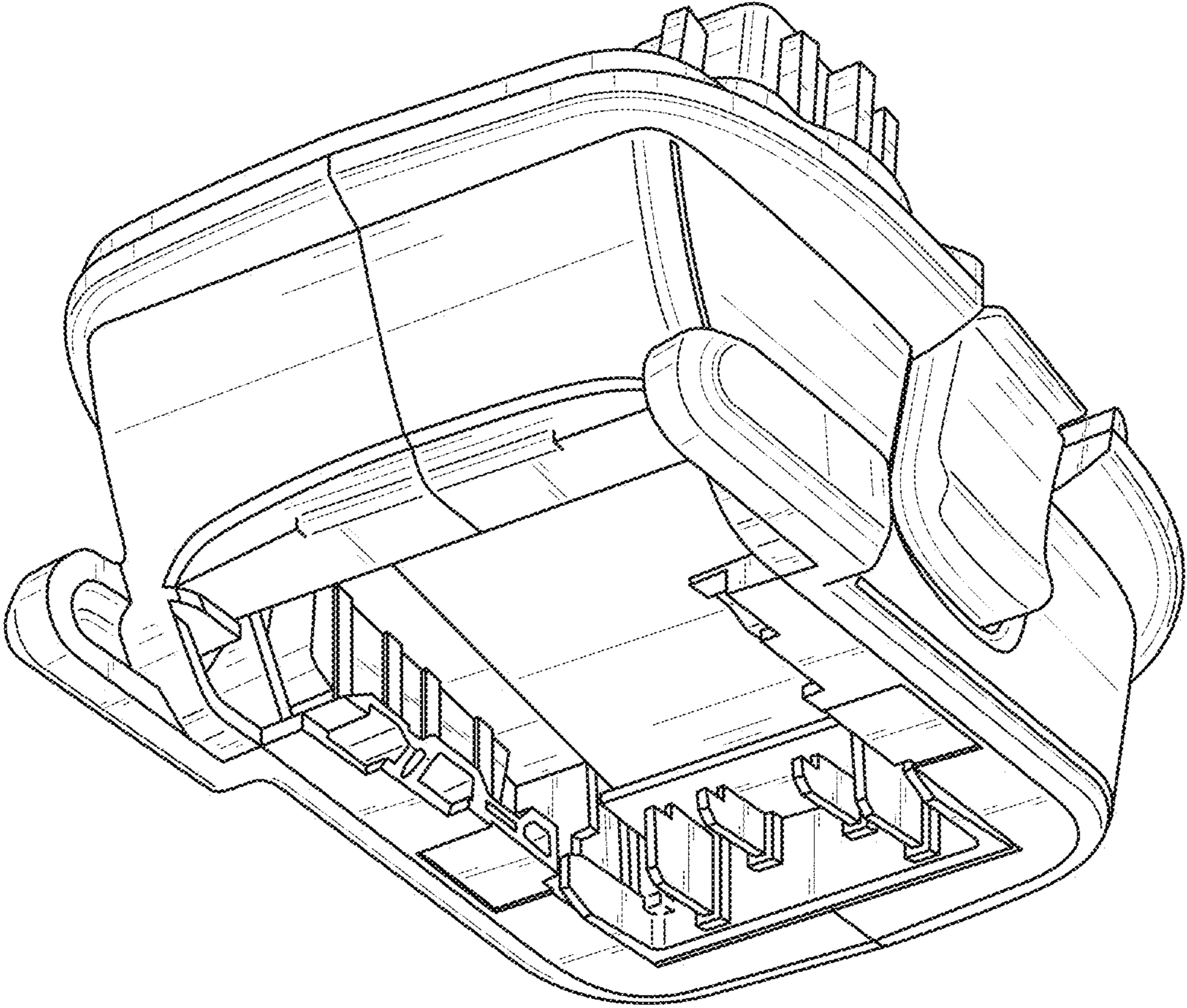


FIG. 8

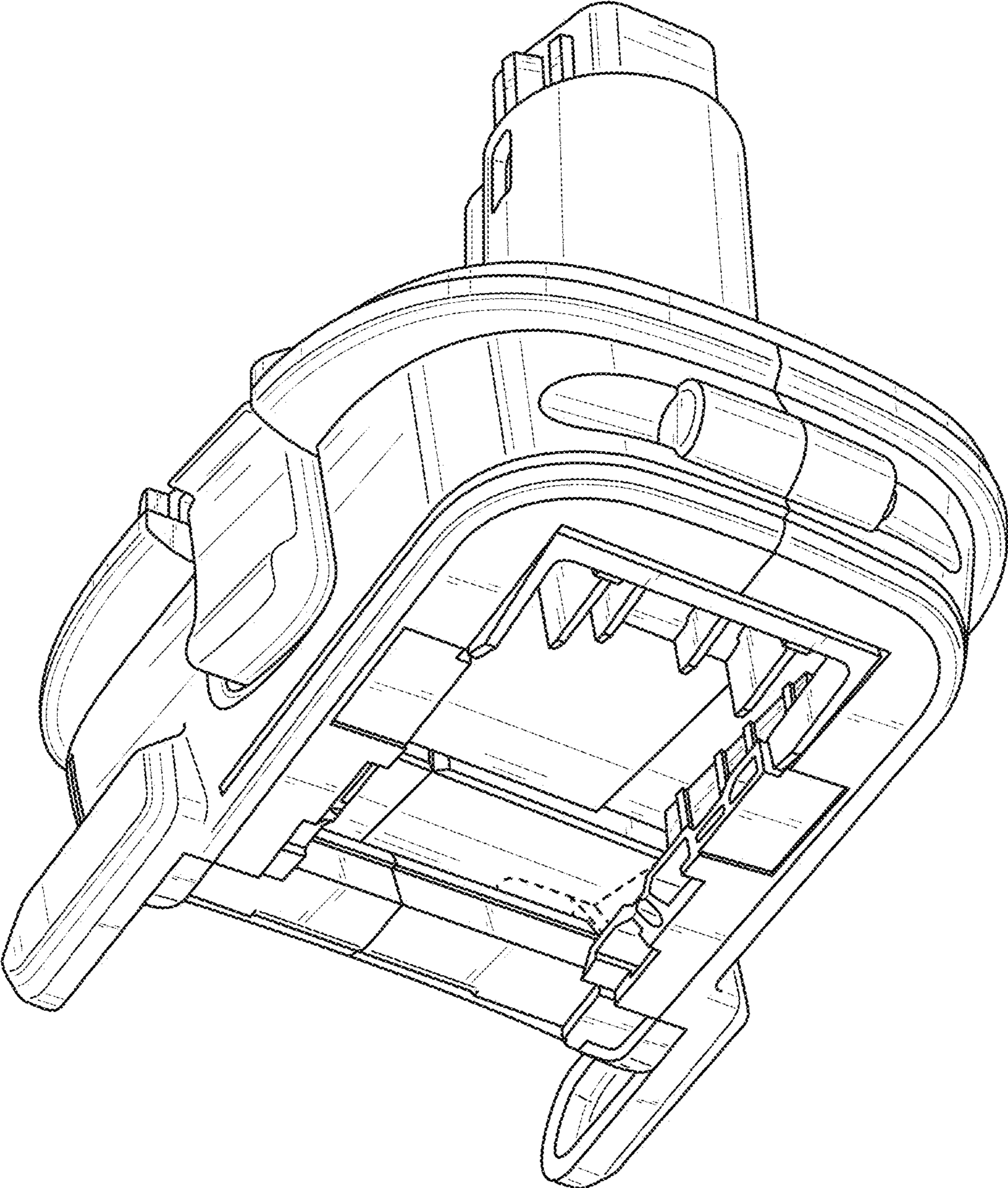


FIG. 9

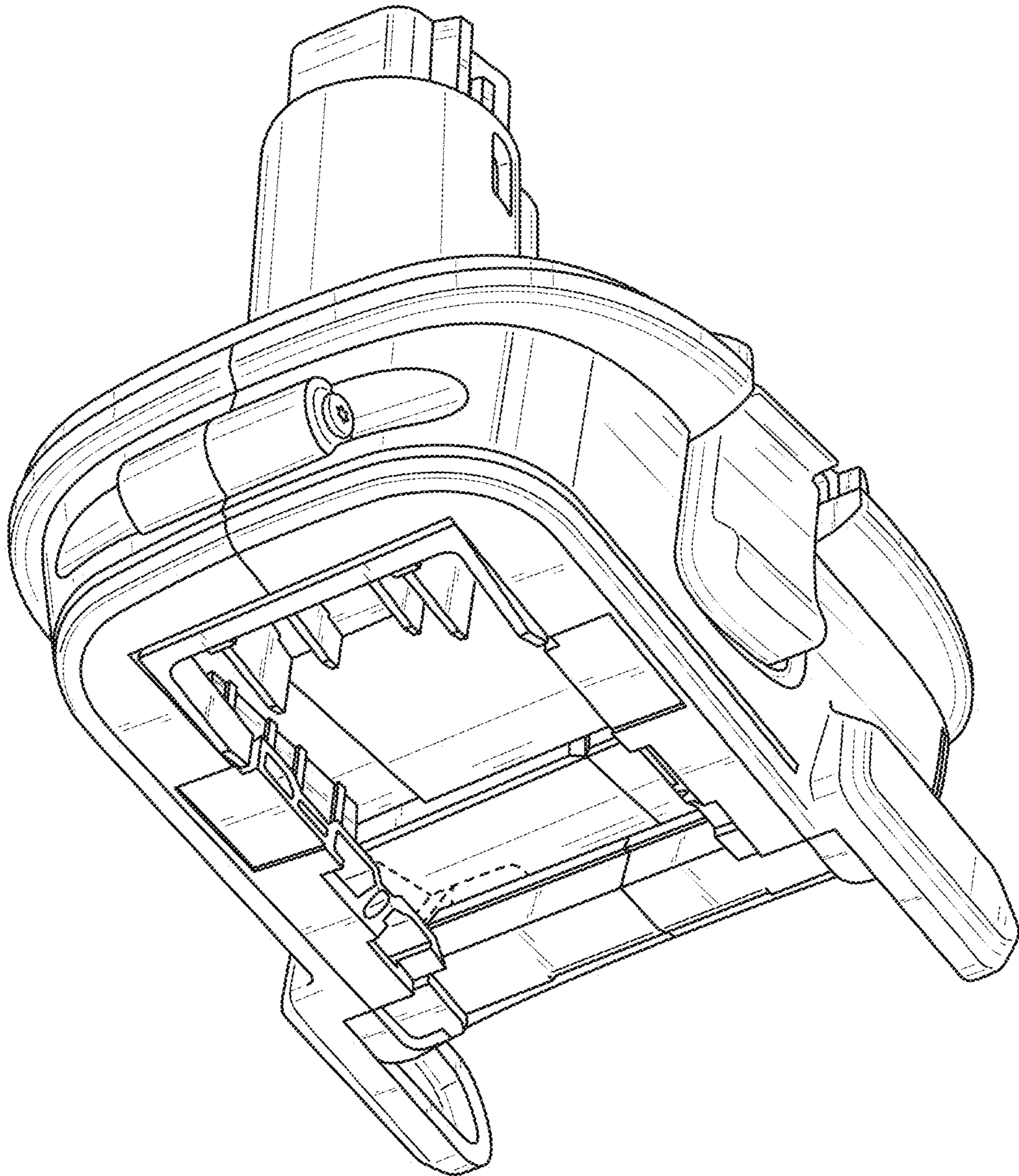


FIG. 10

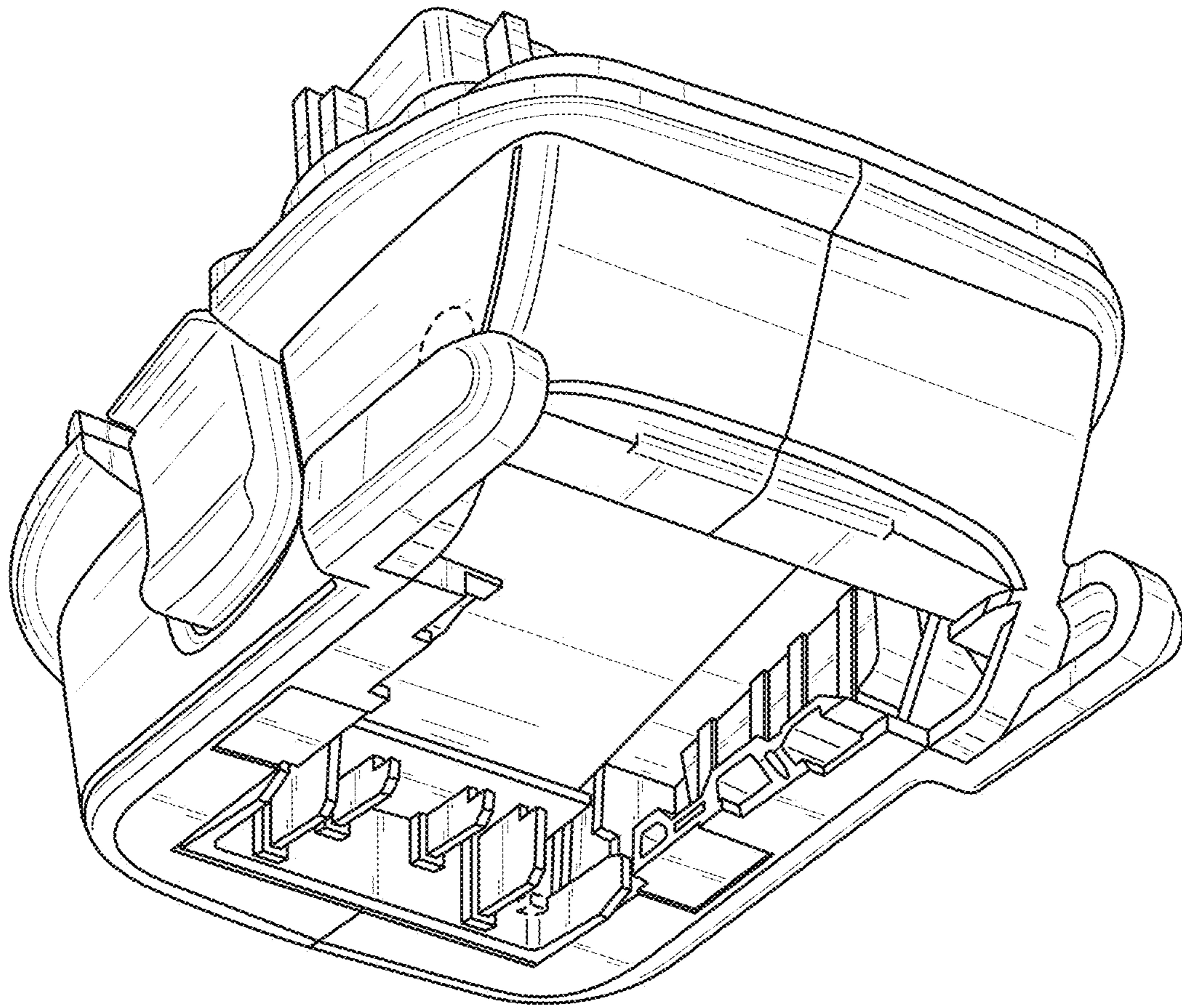


FIG. 11