



US00D887978S

(12) **United States Design Patent**  
**Fidler**

(10) **Patent No.:** **US D887,978 S**  
(45) **Date of Patent:** **\*\* Jun. 23, 2020**

(54) **ELECTRICAL DEVICE**

(71) Applicant: **Furrion Property Holding Limited**,  
Hong Kong (HK)

(72) Inventor: **Matthew David Fidler**, Hong Kong  
(HK)

(73) Assignee: **Furrion Property Holding Limited**,  
Hong Kong (HK)

(\*\*) Term: **15 Years**

(21) Appl. No.: **29/644,185**

(22) Filed: **Apr. 16, 2018**

(51) **LOC (12) Cl.** ..... **13-01**

(52) **U.S. Cl.**  
USPC ..... **D13/110**

(58) **Field of Classification Search**  
USPC ..... D14/299, 433, 341, 343, 345, 498, 137,  
D14/138 R, 138 AB, 138 AA, 138 AD,  
D14/188, 204, 210, 212, 215, 216, 230;  
D21/324, 325, 326, 329, 330, 331, 332,  
D21/333; D13/110, 133, 146, 147, 151,  
D13/153, 154, 155, 156; D10/47, 75, 77,  
D10/78, 80, 97, 121, 103  
CPC ..... G06F 21/6218; G06F 21/6245; G06F  
21/6227; G06F 21/00; G06F 21/10; H04B  
1/3833; H04B 1/38; H04B 1/3827; H04B  
(Continued)

(56) **References Cited**

**U.S. PATENT DOCUMENTS**

D427,969 S \* 7/2000 Wei ..... D13/110  
D496,629 S \* 9/2004 Hriscu ..... D13/110  
(Continued)

**OTHER PUBLICATIONS**

“Electrical Device Mount” Design U.S. Appl. No. 29/644,186, filed Apr. 16, 2018 under the applicant Furrion Property Holding Limited, 15 pages.

(Continued)

*Primary Examiner* — Michelle E. Wilson

*Assistant Examiner* — Messina L Smith

(74) *Attorney, Agent, or Firm* — Faegre Drinker Biddle & Reath LLP

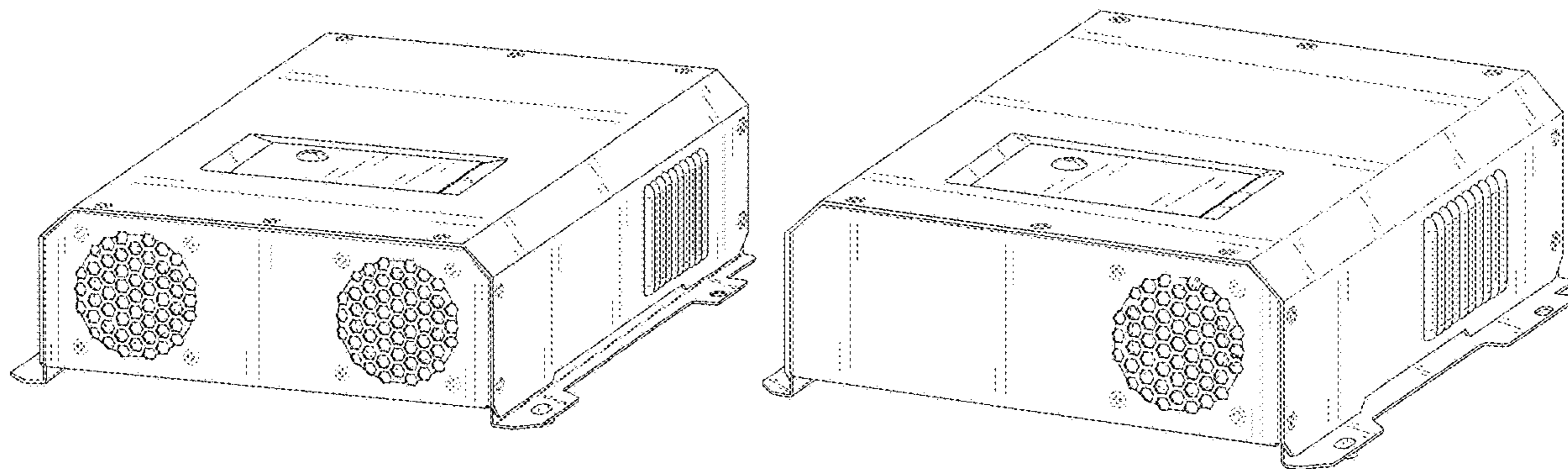
(57) **CLAIM**

The ornamental design for an electrical device, as shown and described.

**DESCRIPTION**

FIG. 1 is a front perspective view of an electrical device, showing my new design in a first embodiment;  
FIG. 2 is a front view of the first embodiment of FIG. 1;  
FIG. 3 is a rear view of the first embodiment of FIG. 1;  
FIG. 4 is a right side view of the first embodiment of FIG. 1;  
FIG. 5 is a left side view of the first embodiment of FIG. 1;  
FIG. 6 is a top view of the first embodiment of FIG. 1;  
FIG. 7 is a bottom view of the first embodiment of FIG. 1;  
FIG. 8 is a front perspective view of an electrical device, showing my new design in a second embodiment;  
FIG. 9 is a front view of the second embodiment of FIG. 8;  
FIG. 10 is a rear view of the second embodiment of FIG. 8;  
FIG. 11 is a right side view of the second embodiment of FIG. 8;  
FIG. 12 is a left side view of the second embodiment of FIG. 8;  
FIG. 13 is a top view of the second embodiment of FIG. 8;  
and,  
FIG. 14 is a bottom view of the second embodiment of FIG. 8.  
The broken lines in the drawings depict portions of the electrical device that form no part of the claimed design.

**1 Claim, 14 Drawing Sheets**



(58) **Field of Classification Search**

CPC ... 2001/3861; G01K 2207/06; G01K 2207/08;  
H04M 1/0202; H04M 1/03; H04M 1/035;  
H04M 1/15; H04W 76/005; G08B  
21/0202; B65H 75/36; H01R 13/5845;  
H01R 13/72; H01R 31/06; H01R 11/00;  
F16G 11/14; D06F 55/00; H02M  
2001/0009; F02C 7/28

See application file for complete search history.

D722,116 S \* 2/2015 Gottschalk ..... D21/332  
D789,372 S \* 6/2017 Trishaun ..... D14/433  
D805,032 S \* 12/2017 Folk ..... D13/110  
D829,653 S \* 10/2018 Inskeep ..... D13/110  
D836,549 S \* 12/2018 Kim ..... D13/110  
D843,939 S \* 3/2019 Xiong ..... D13/110  
D851,512 S \* 6/2019 Laurino ..... D10/75  
D852,742 S \* 7/2019 Li ..... D13/110  
D853,328 S \* 7/2019 Xiong ..... D13/110  
2019/0251299 A1\* 8/2019 Kannler ..... G06F 1/181

(56)

**References Cited**

U.S. PATENT DOCUMENTS

D526,614 S \* 8/2006 Kajiura ..... D13/110  
D551,621 S \* 9/2007 Iacovelli ..... D13/110  
D562,235 S \* 2/2008 Hussaini ..... D13/110  
D682,251 S \* 5/2013 Behringer ..... D14/188  
D690,341 S \* 9/2013 Tsuda ..... D16/131  
D690,754 S \* 10/2013 Tsuda ..... D16/131

OTHER PUBLICATIONS

“Electrical Device” Design U.S. Appl. No. 29/644,188, filed Apr. 16, 2018 under the applicant Furrion Property Holding Limited, 9 pages.  
“Electrical Device.” Design U.S. Appl. No. 29/644,187, filed Apr. 16, 2018 under the applicant Furrion Property Holding Limited, 44 pages.

\* cited by examiner

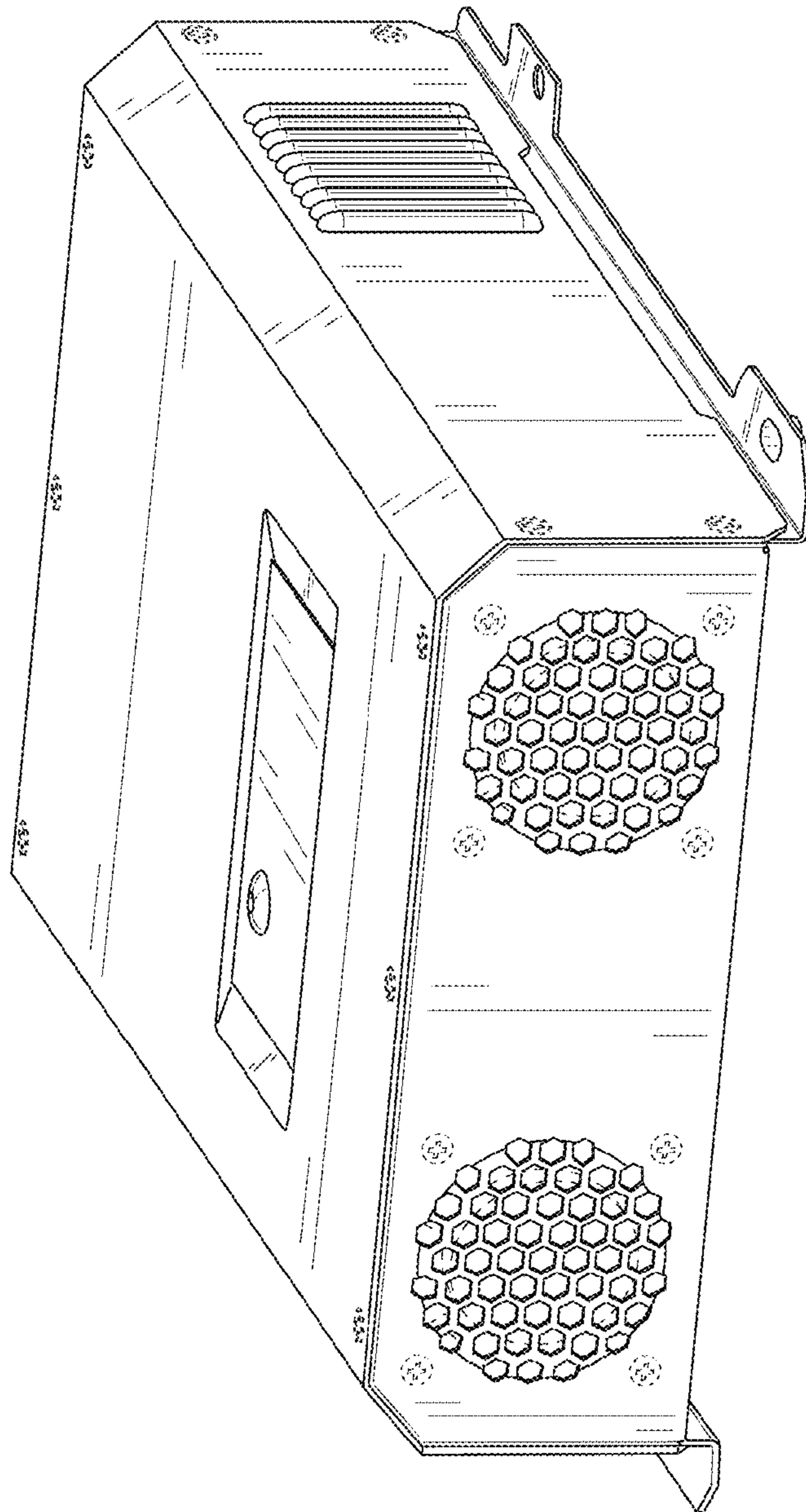


FIG. 1

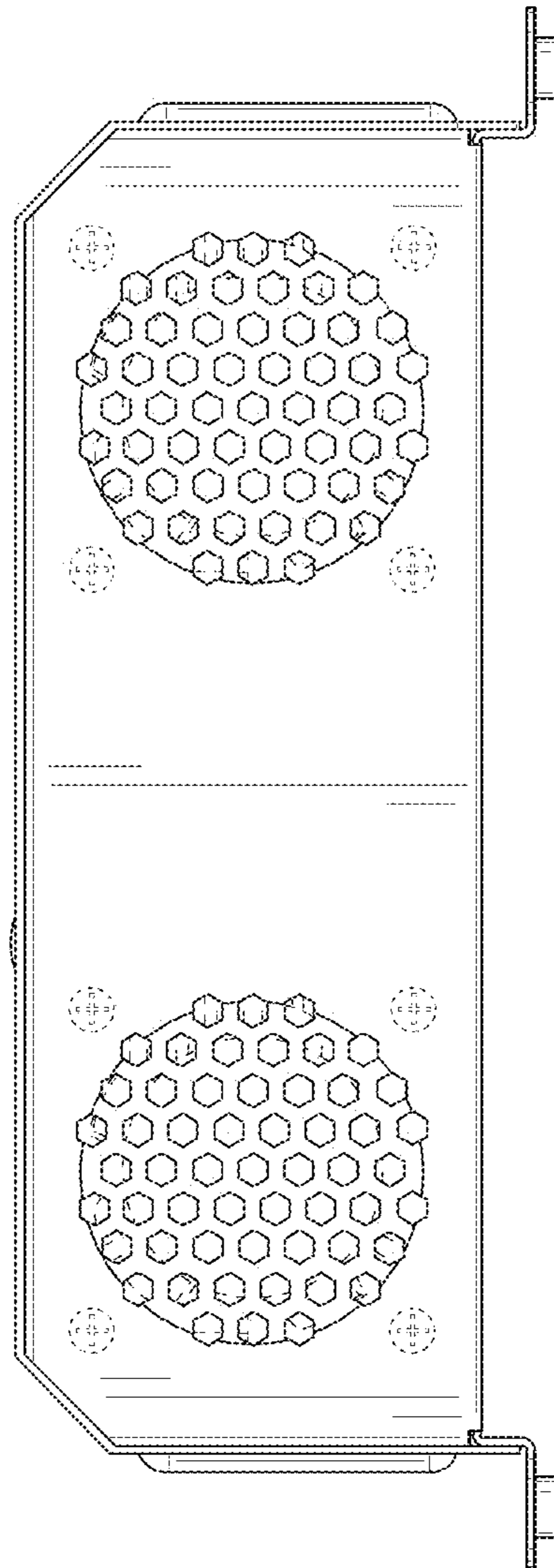


FIG. 2

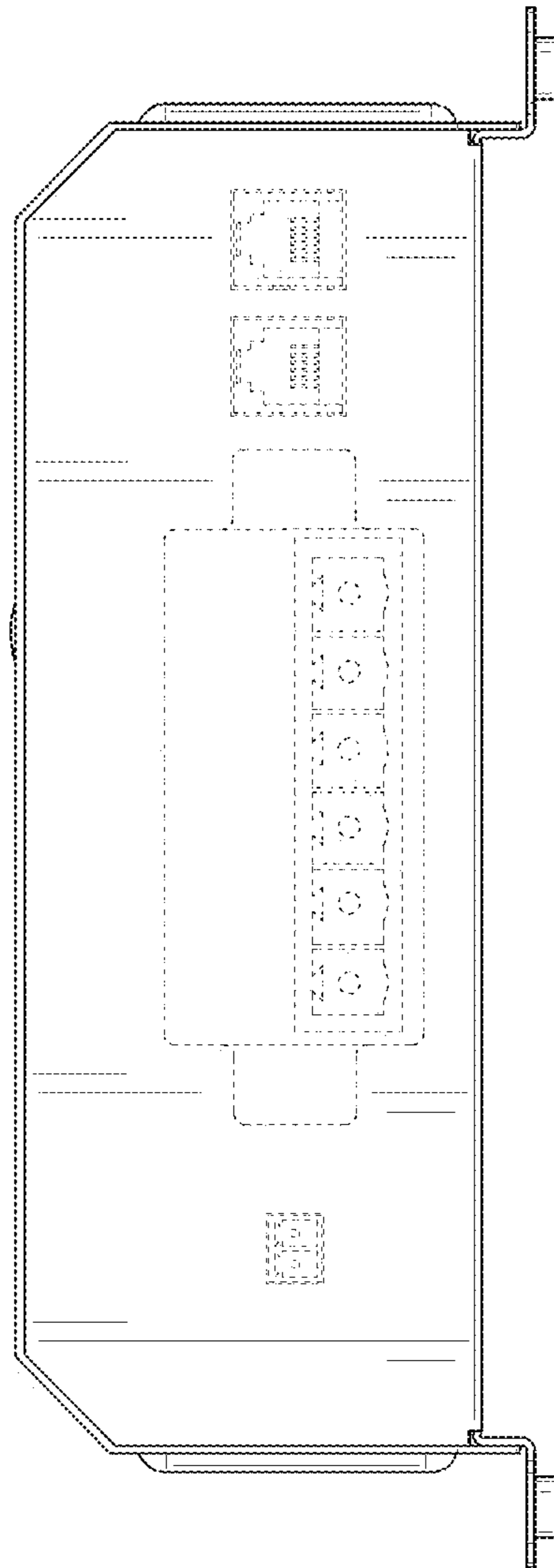


FIG. 3

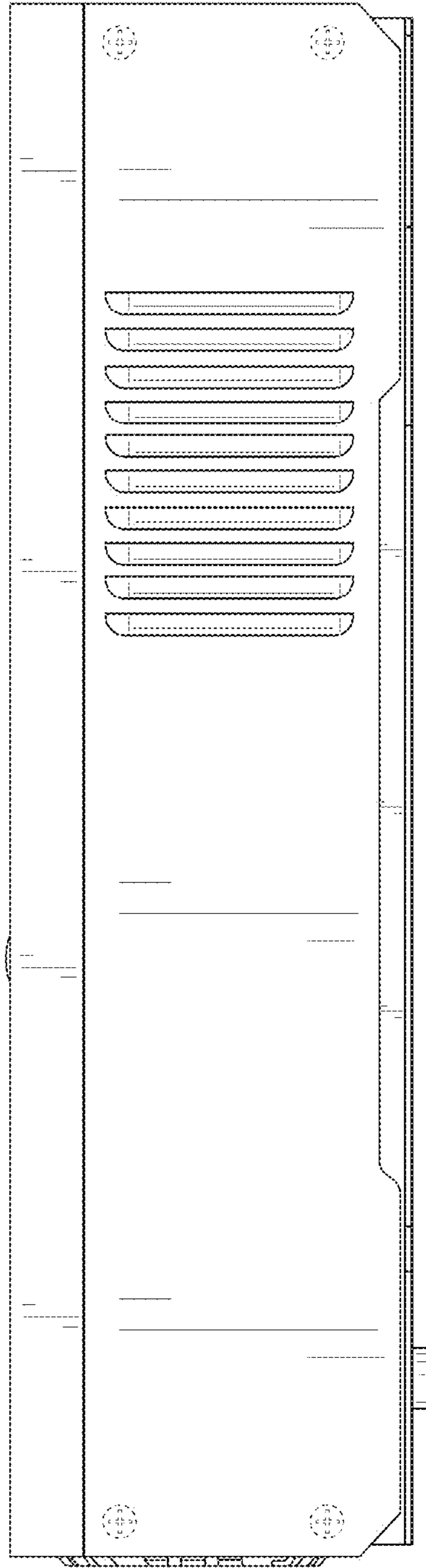


FIG. 4

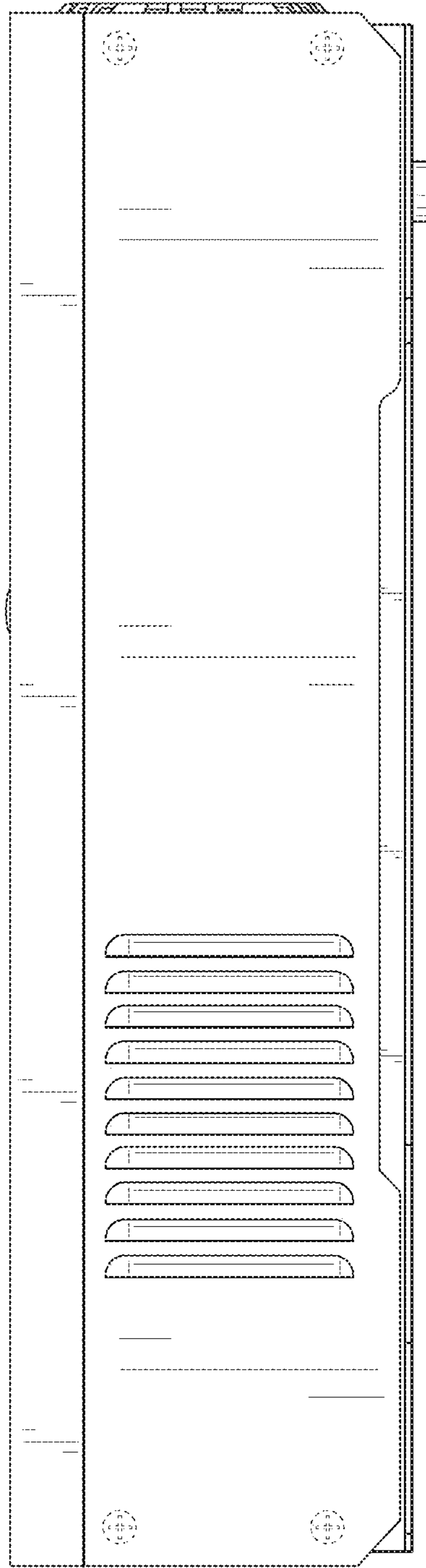


FIG. 5

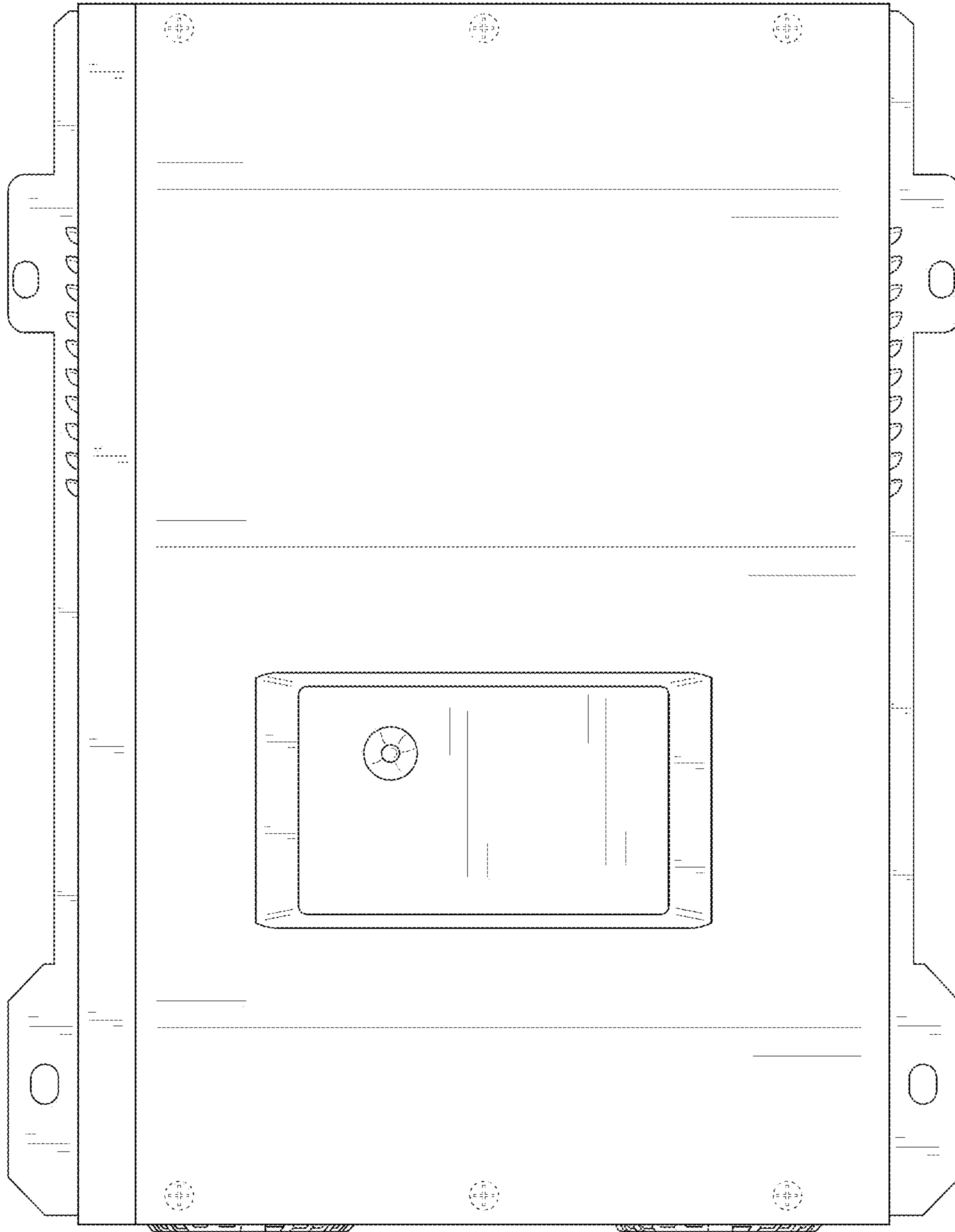


FIG. 6



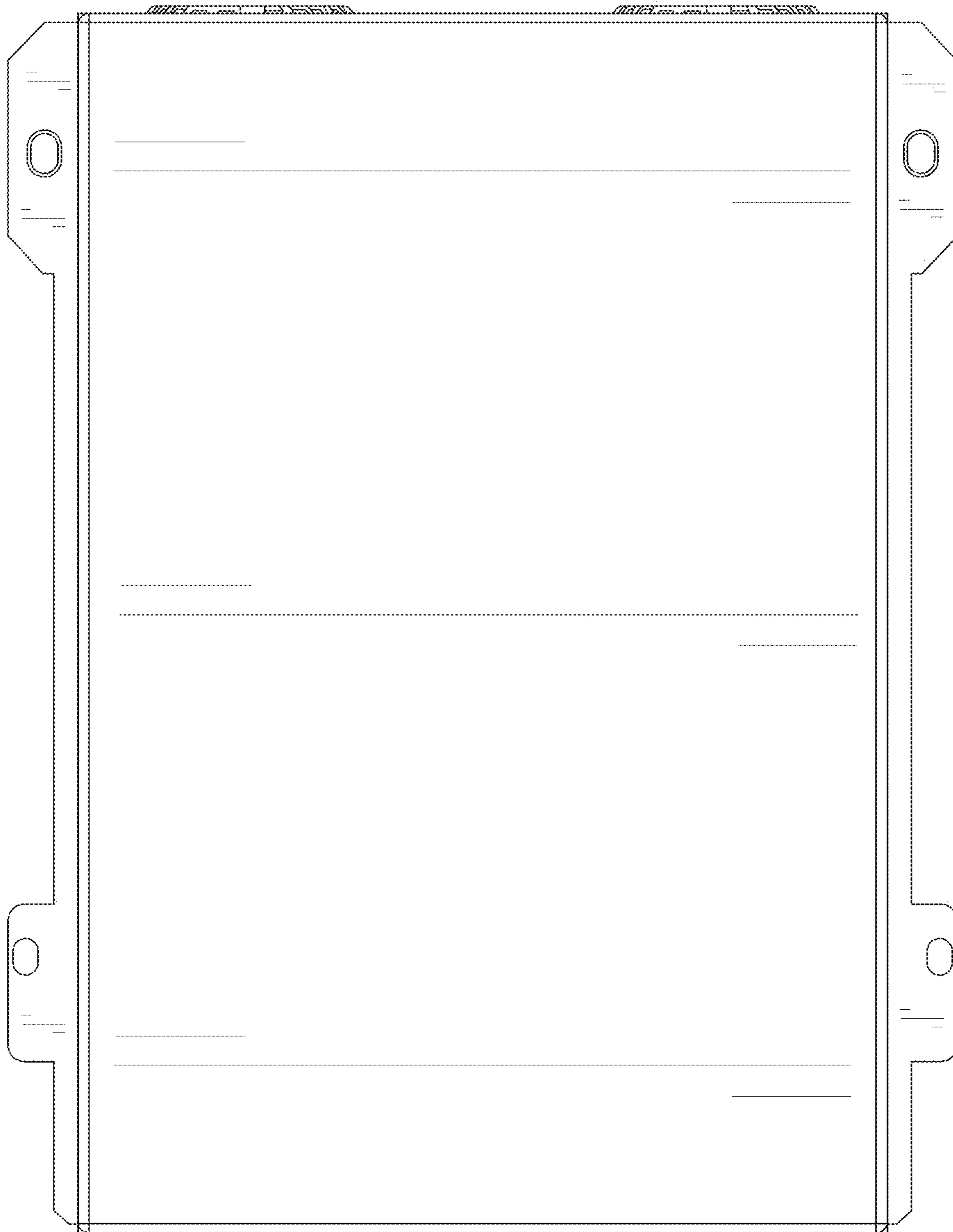


FIG. 7

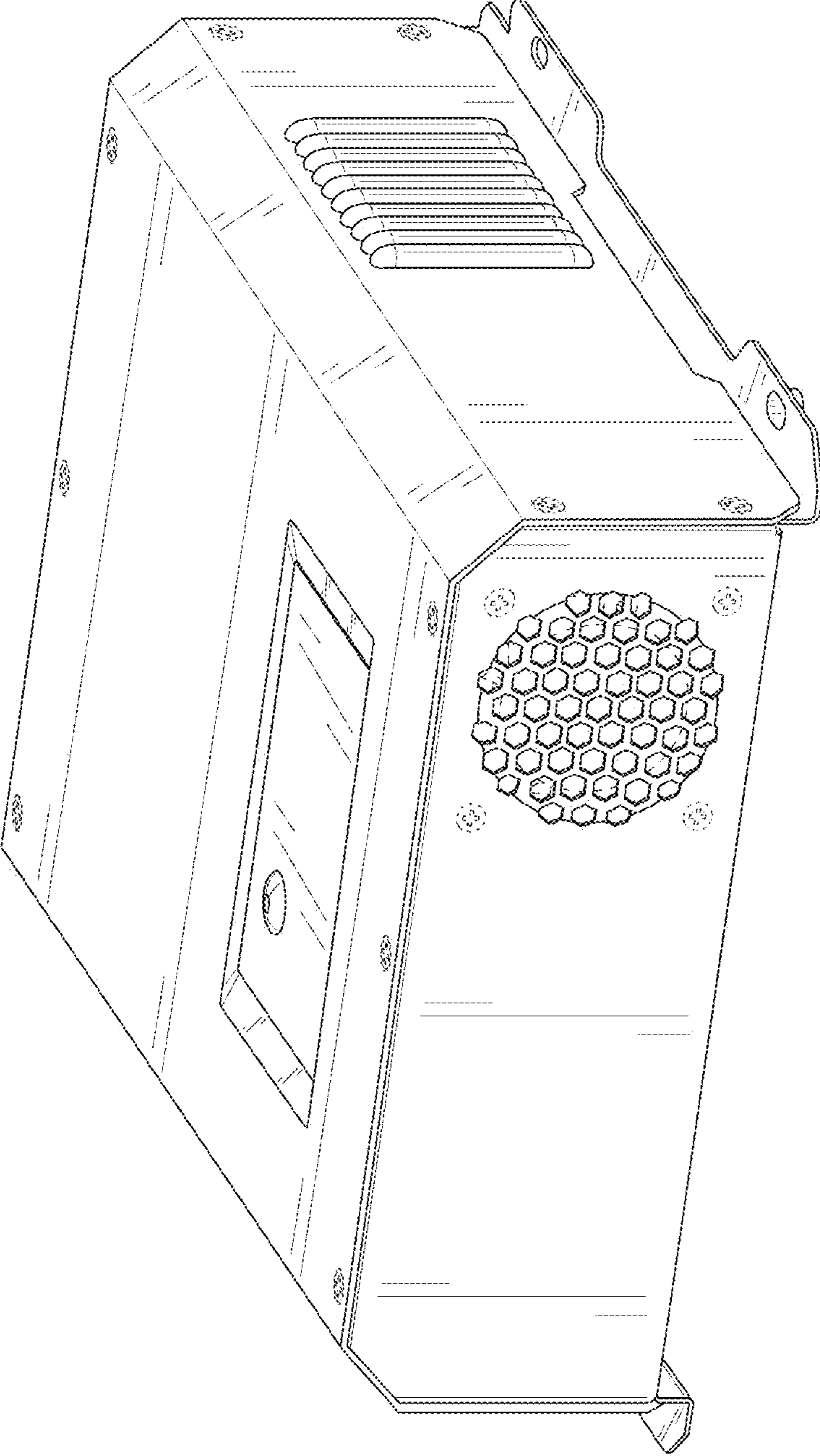


FIG. 8

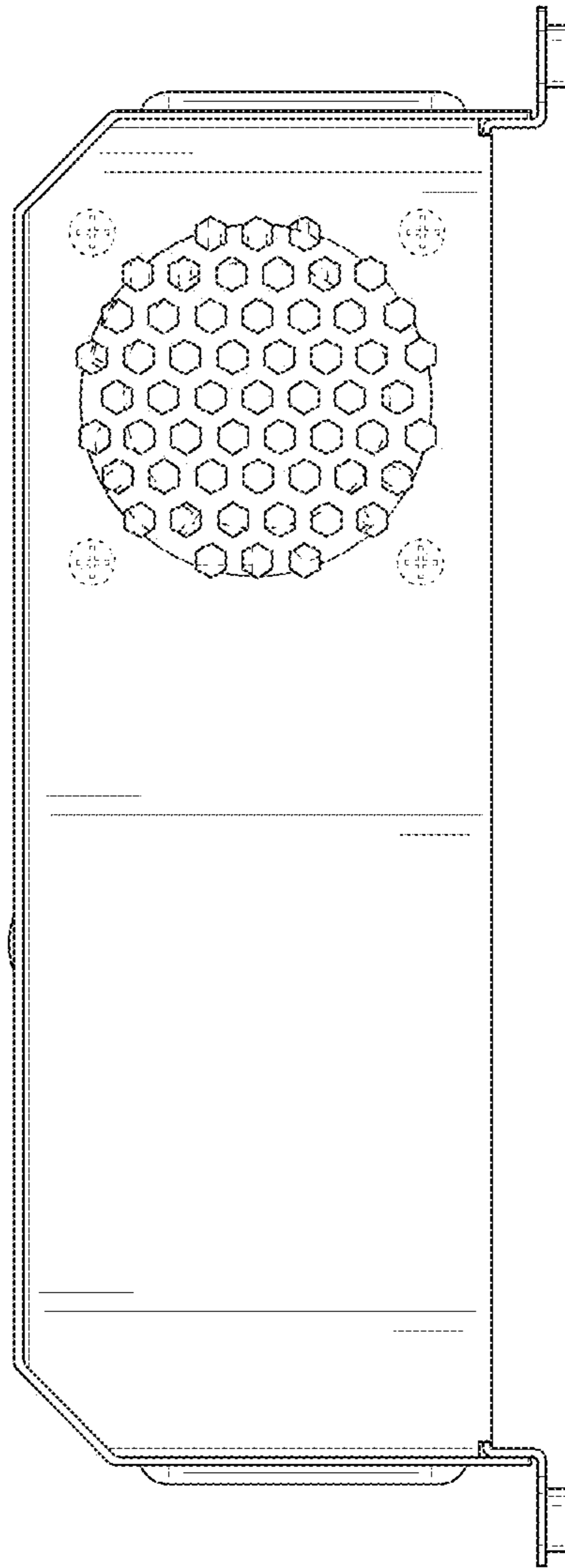


FIG. 9

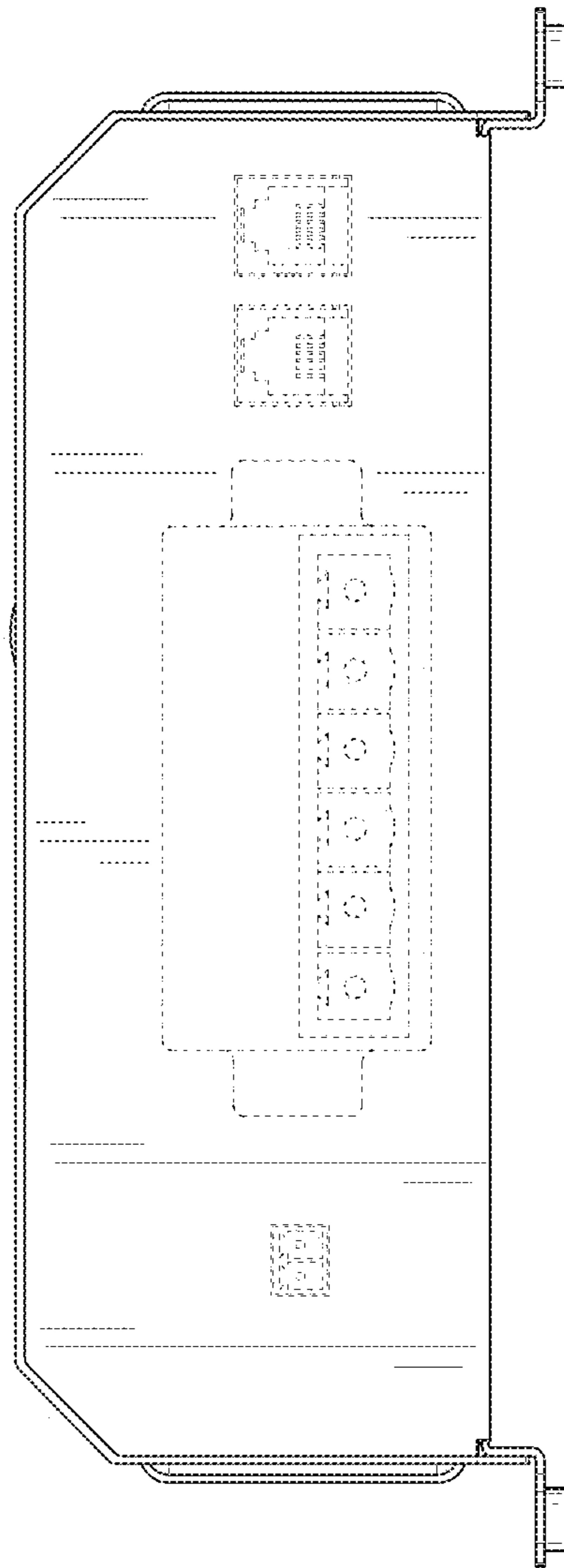


FIG. 10

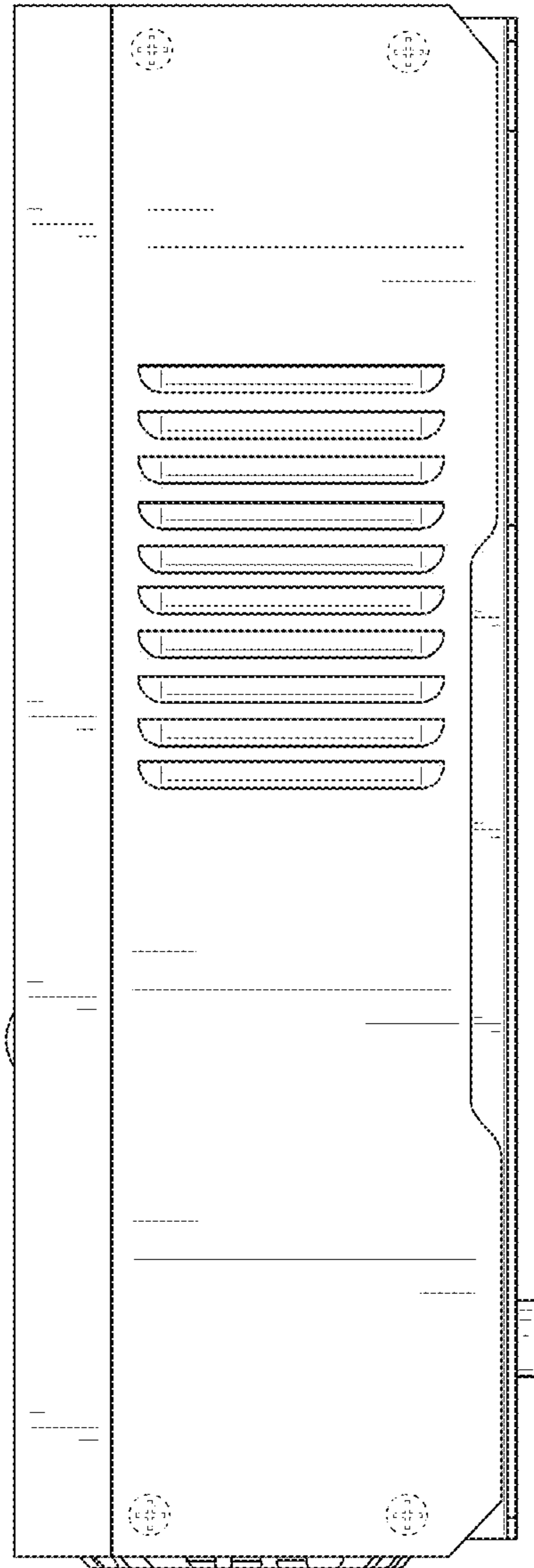


FIG. 11

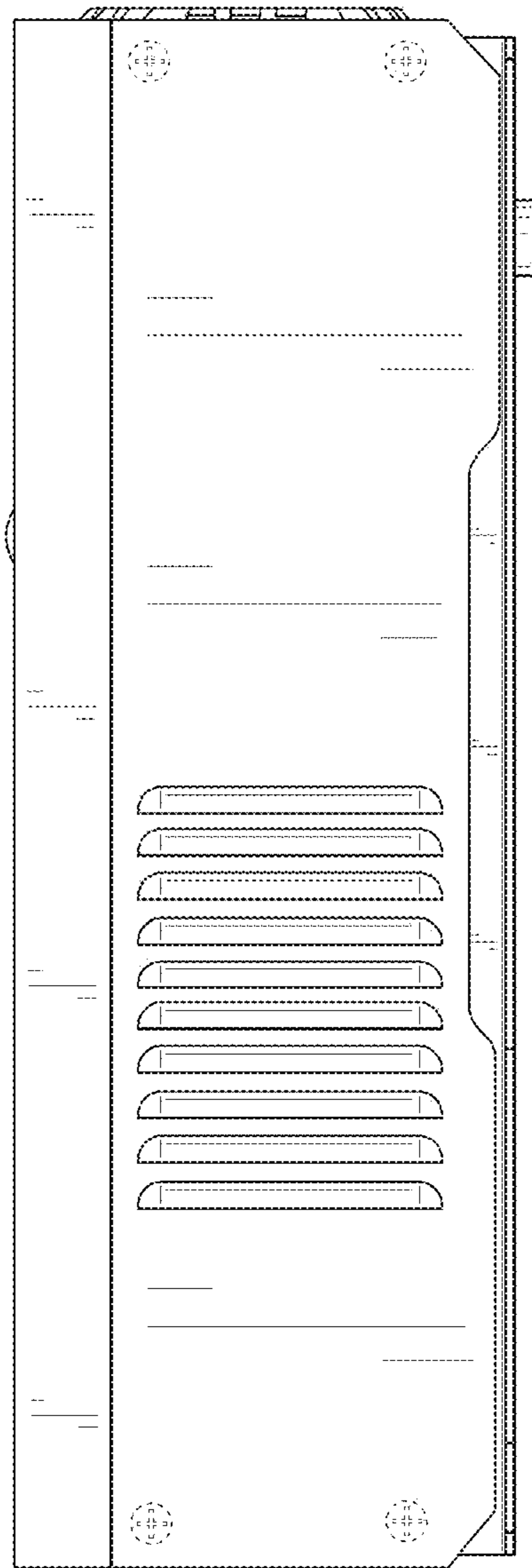


FIG. 12

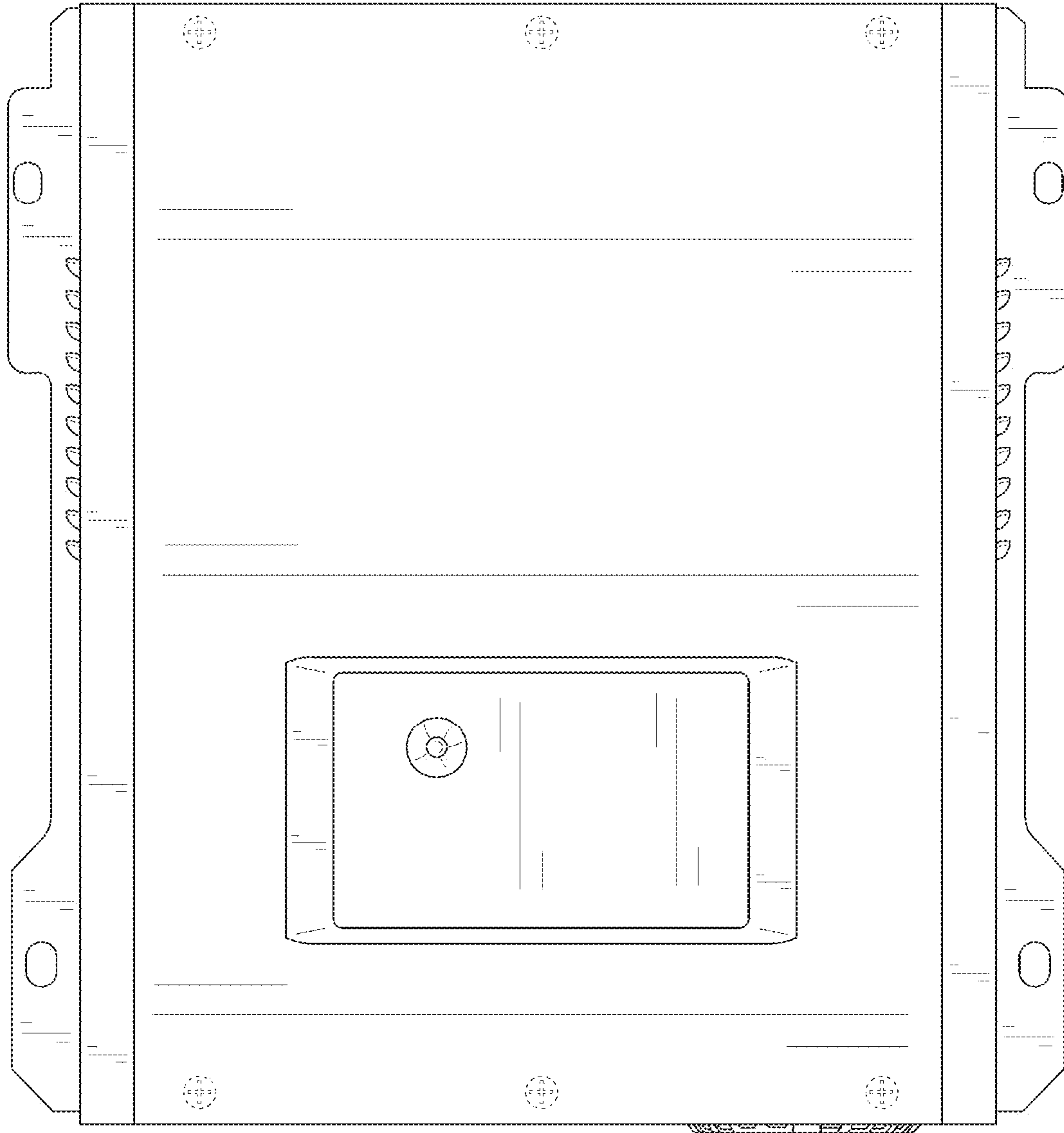


FIG. 13

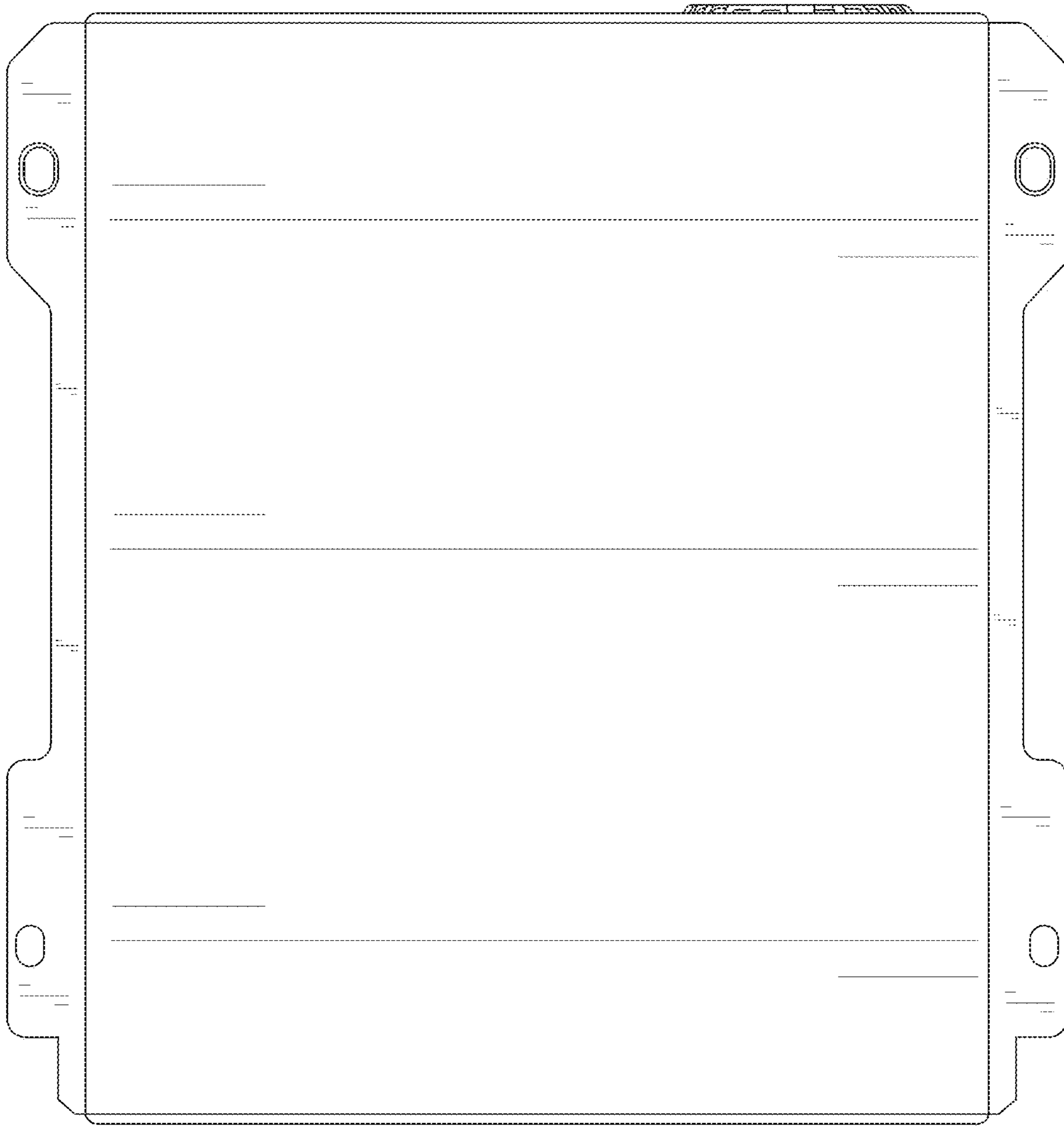


FIG. 14