



US00D887976S

(12) **United States Design Patent**
Tung et al.

(10) **Patent No.:** **US D887,976 S**
(45) **Date of Patent:** **** Jun. 23, 2020**

(54) **CHARGING DOCK**

D516,023 S * 2/2006 Quinn D13/108
D541,215 S * 4/2007 Vu D13/108
D548,179 S * 8/2007 Vu D13/108

(71) Applicant: **Philip Morris Products S.A.**,
Neuchatel (CH)

(Continued)

(72) Inventors: **Jeffrey Tung**, San Francisco, CA (US);
Jenny Yoon Joo Lee, San Francisco,
CA (US)

FOREIGN PATENT DOCUMENTS

JP 1586538 9/2017
KR 30-0890217 1/2017

(73) Assignee: **Philip Morris Products S.A.**,
Neuchatel (CH)

OTHER PUBLICATIONS

(**) Term: **15 Years**

Japanese Decision of Grant dated Oct. 28, 2019 in Patent Application No. 2019-001025 (with unedited computer generated English translation) 3 pages.

(21) Appl. No.: **29/677,584**

(Continued)

(22) Filed: **Jan. 22, 2019**

Primary Examiner — Nathaniel D. Buckner

(30) **Foreign Application Priority Data**

(74) *Attorney, Agent, or Firm* — Oblon, McClelland,
Maier & Neustadt, L.L.P.

Jul. 23, 2018 (EM) 005510872-0001
Jul. 23, 2018 (EM) 005510872-0002

(57) **CLAIM**

The ornamental design for a charging dock, as shown and described.

(51) **LOC (12) Cl.** **13-02**

DESCRIPTION

(52) **U.S. Cl.**
USPC **D13/108**

(58) **Field of Classification Search**
USPC D13/107–110, 118–119, 184; D14/251,
D14/253, 432, 434
CPC Y02E 60/12; Y02T 90/14; Y02T 90/122;
Y02T 90/128; Y02T 90/163; H02J 7/025;
H02J 7/0042; H02J 7/0044; H02J 7/0045;
H02J 7/0013; H02J 7/0003; H01F 38/14;
H01R 13/6675; H01M 2/1022; H01M
2/1055; H01M 10/44; H01M 10/46;
H01M 10/425; B60L 11/182
See application file for complete search history.

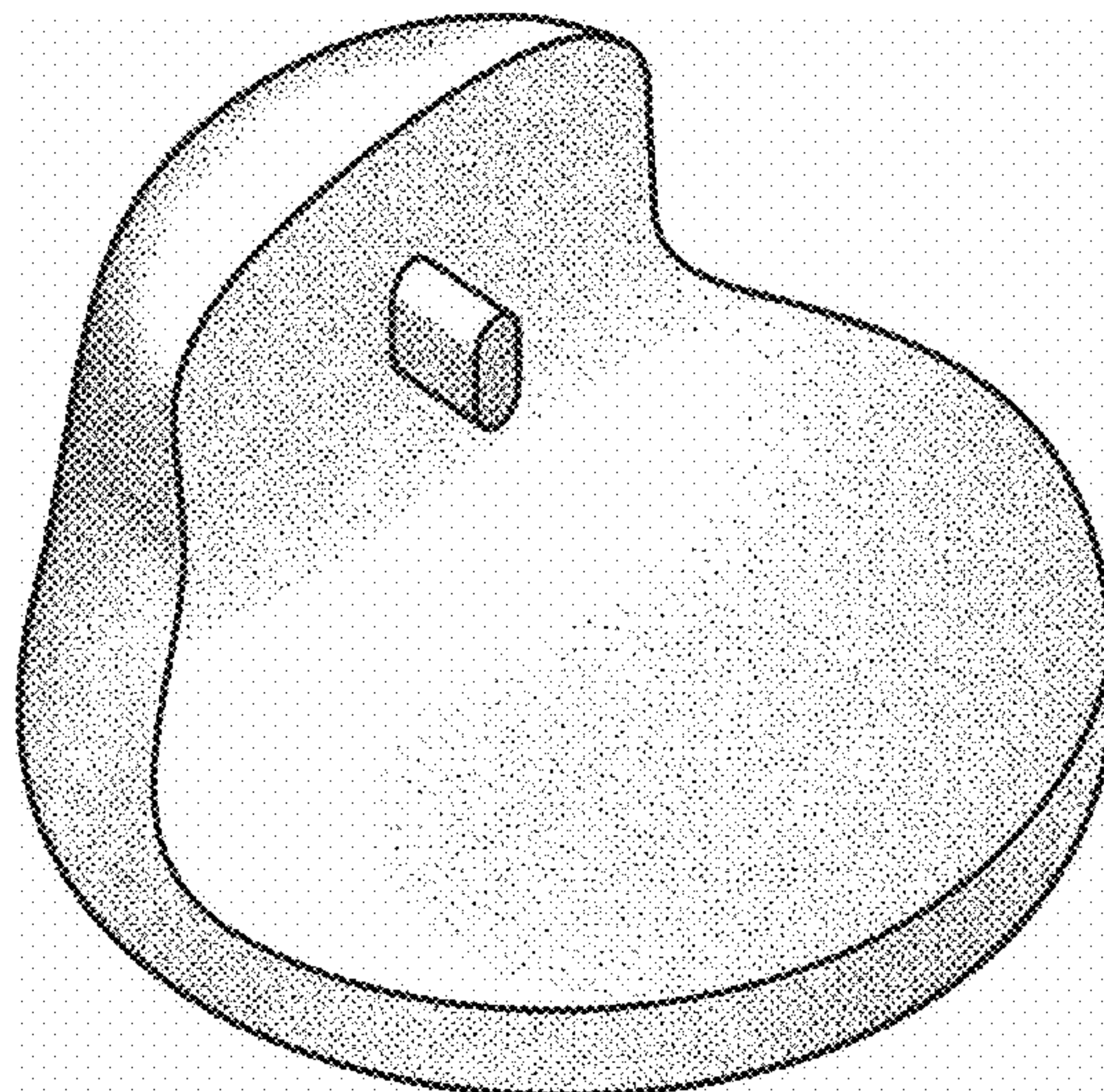
FIG. 1 is a front, top, and left side perspective view of a first embodiment of a charging dock;
FIG. 2 is a front elevational view thereof;
FIG. 3 is a rear elevational view thereof;
FIG. 4 is a top plan view thereof;
FIG. 5 is a bottom plan view thereof;
FIG. 6 is a right side elevational view thereof;
FIG. 7 is a left side elevational view thereof;
FIG. 8 is a front, top, and left side perspective view of a second embodiment of a charging dock;
FIG. 9 is a front elevational view thereof;
FIG. 10 is a rear elevational view thereof;
FIG. 11 is a top plan view thereof;
FIG. 12 is a bottom plan view thereof;
FIG. 13 is a right side elevational view thereof; and,
FIG. 14 is a left side elevational view thereof.

(56) **References Cited**

U.S. PATENT DOCUMENTS

D392,940 S * 3/1998 Shen D13/110
D471,578 S * 3/2003 Okuley D13/108

1 Claim, 14 Drawing Sheets



(56)

References Cited

U.S. PATENT DOCUMENTS

D578,475 S	*	10/2008	Beedham	D13/108
D628,991 S	*	12/2010	Chung	D14/224
D682,198 S	*	5/2013	Vu	D13/108
D768,570 S	*	10/2016	Shigeno	D13/108
D836,547 S	*	12/2018	Uttley	D13/108
D853,326 S	*	7/2019	Jun	D13/108
D870,664 S	*	12/2019	Langhammer	D13/108
D870,665 S	*	12/2019	Schubert	D13/108

OTHER PUBLICATIONS

Notice from the Parallel Japanese Design application No. 2019-001025, dated Oct. 28, 2019 (with unedited computer generated English translation), 2 pages.

* cited by examiner

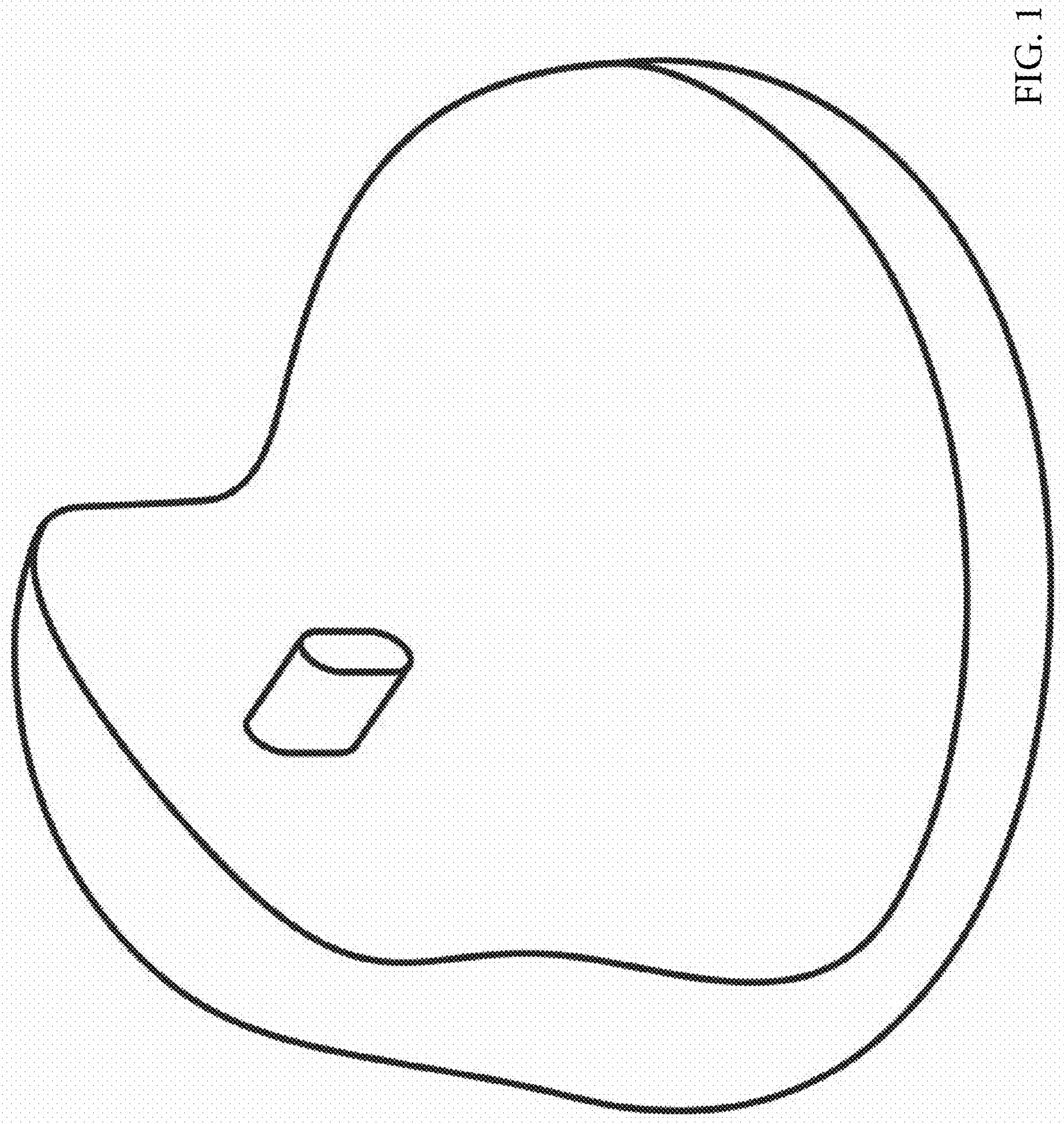


FIG. 1

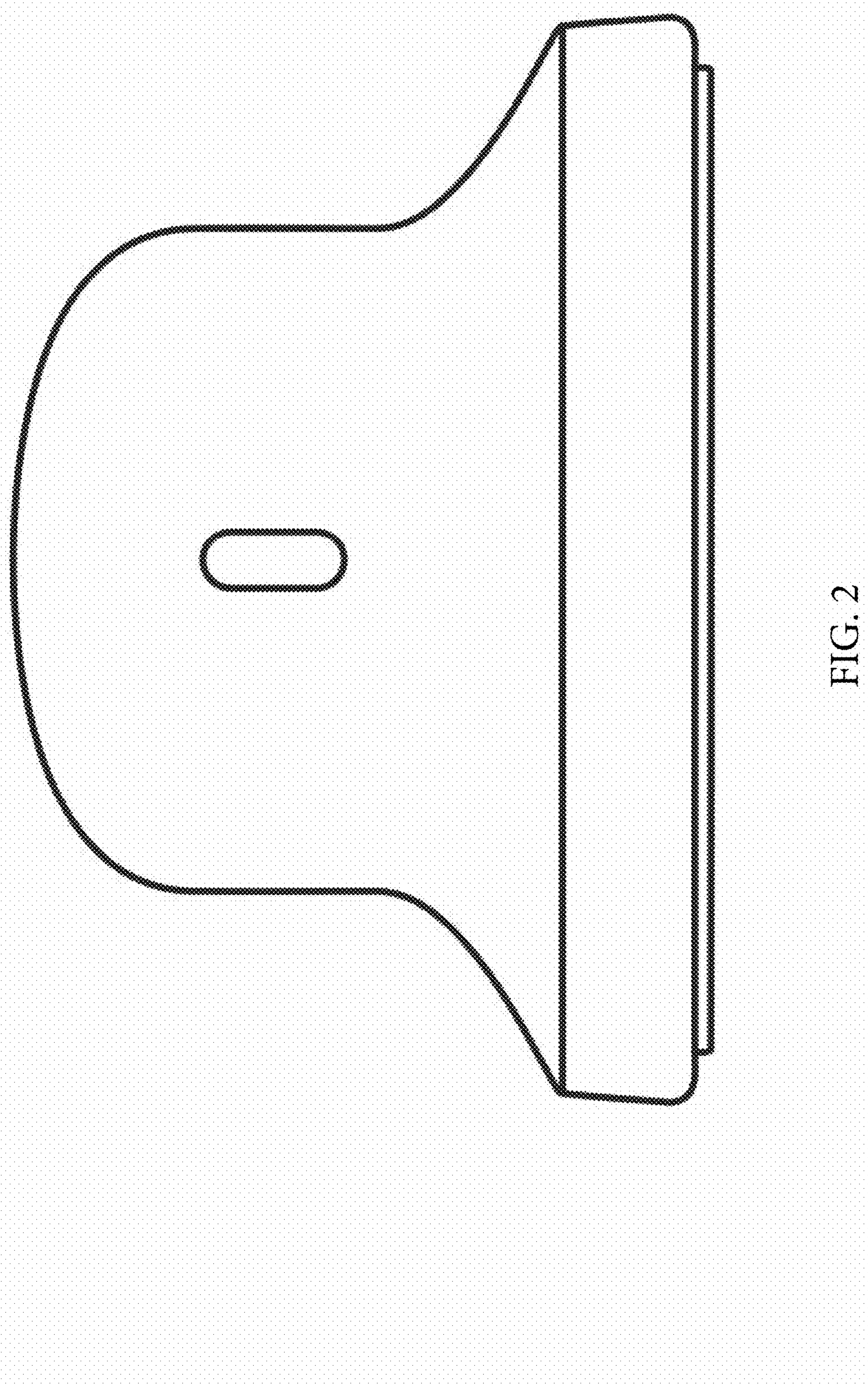


FIG. 2

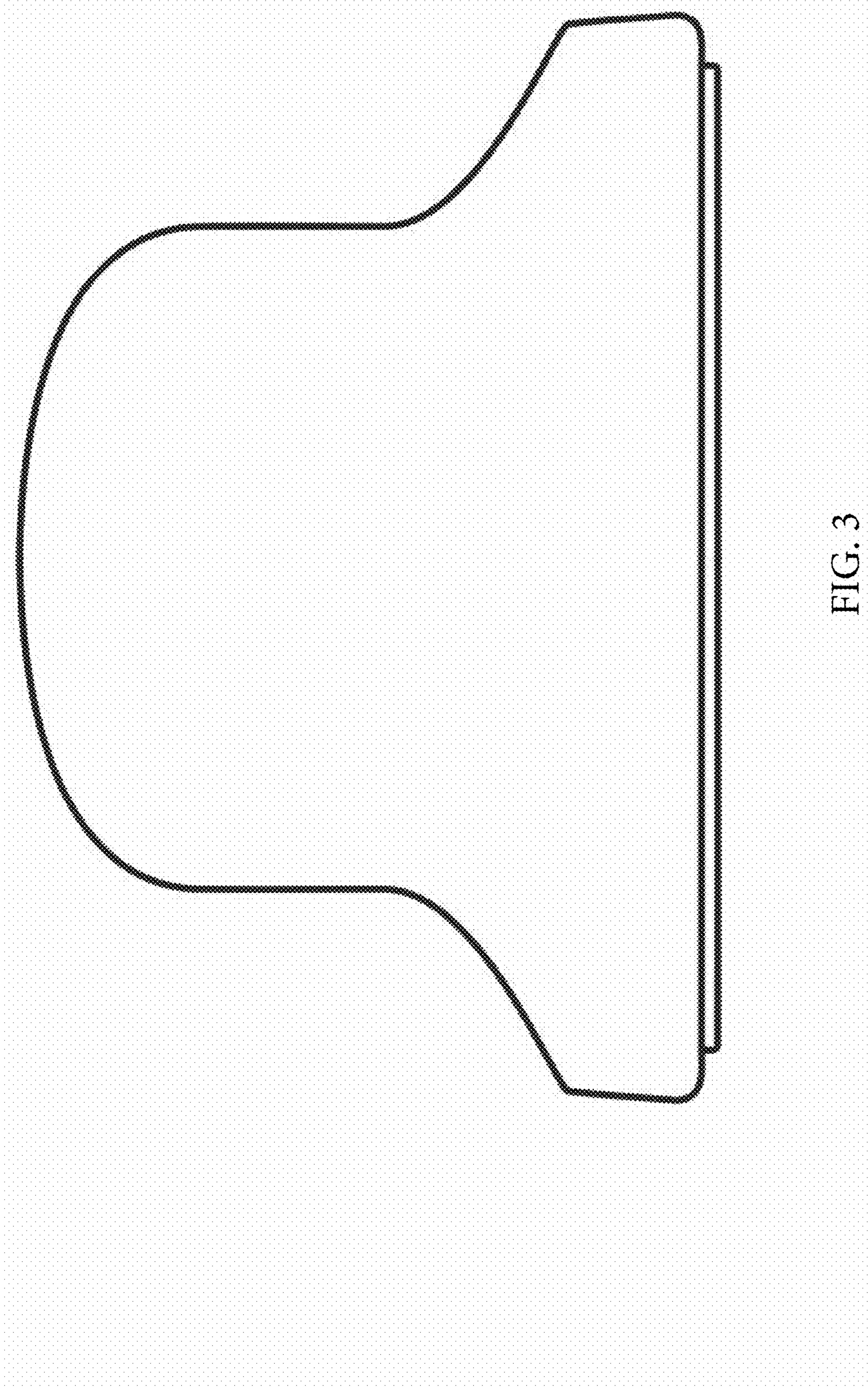


FIG. 3

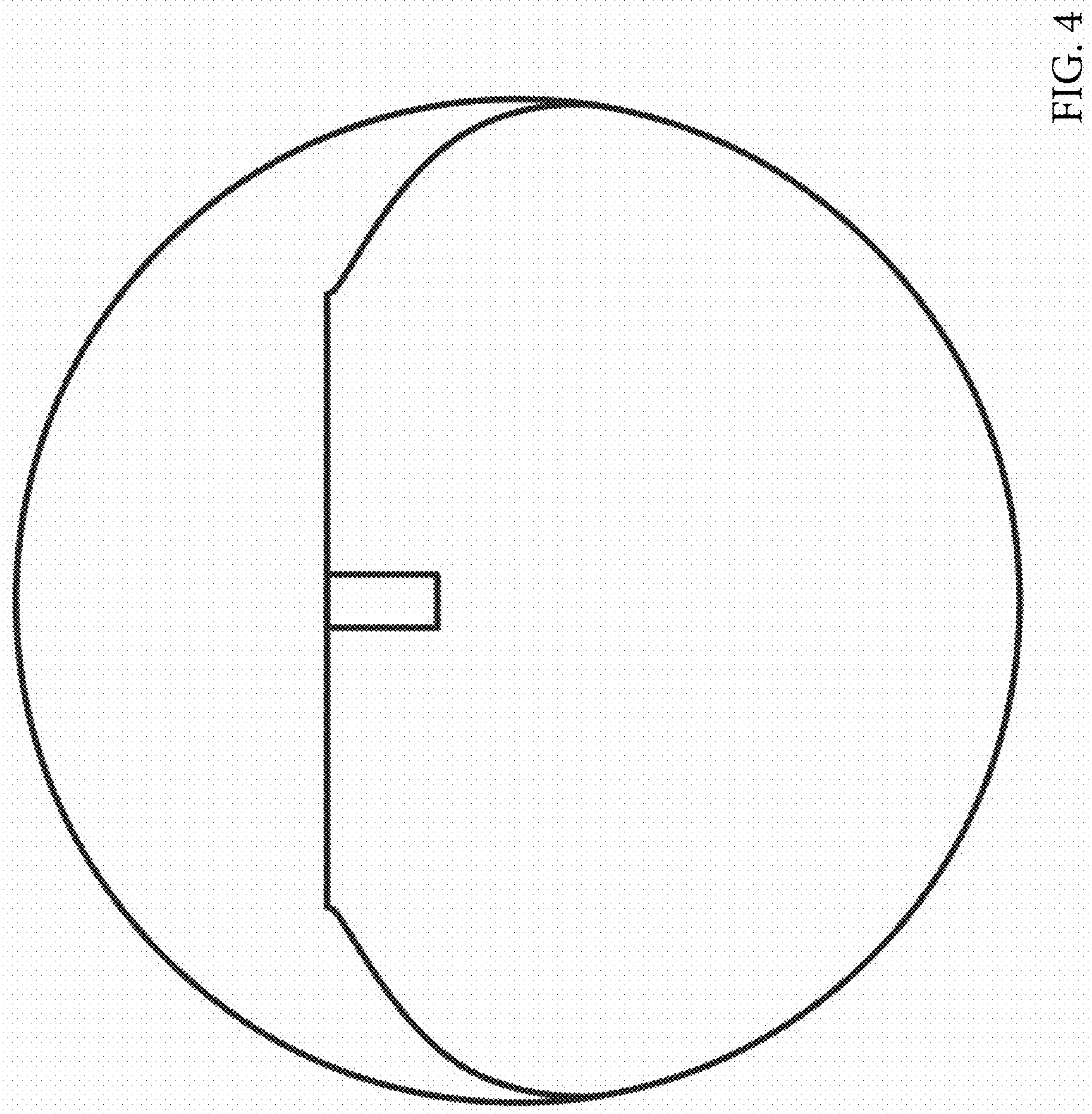


FIG. 4

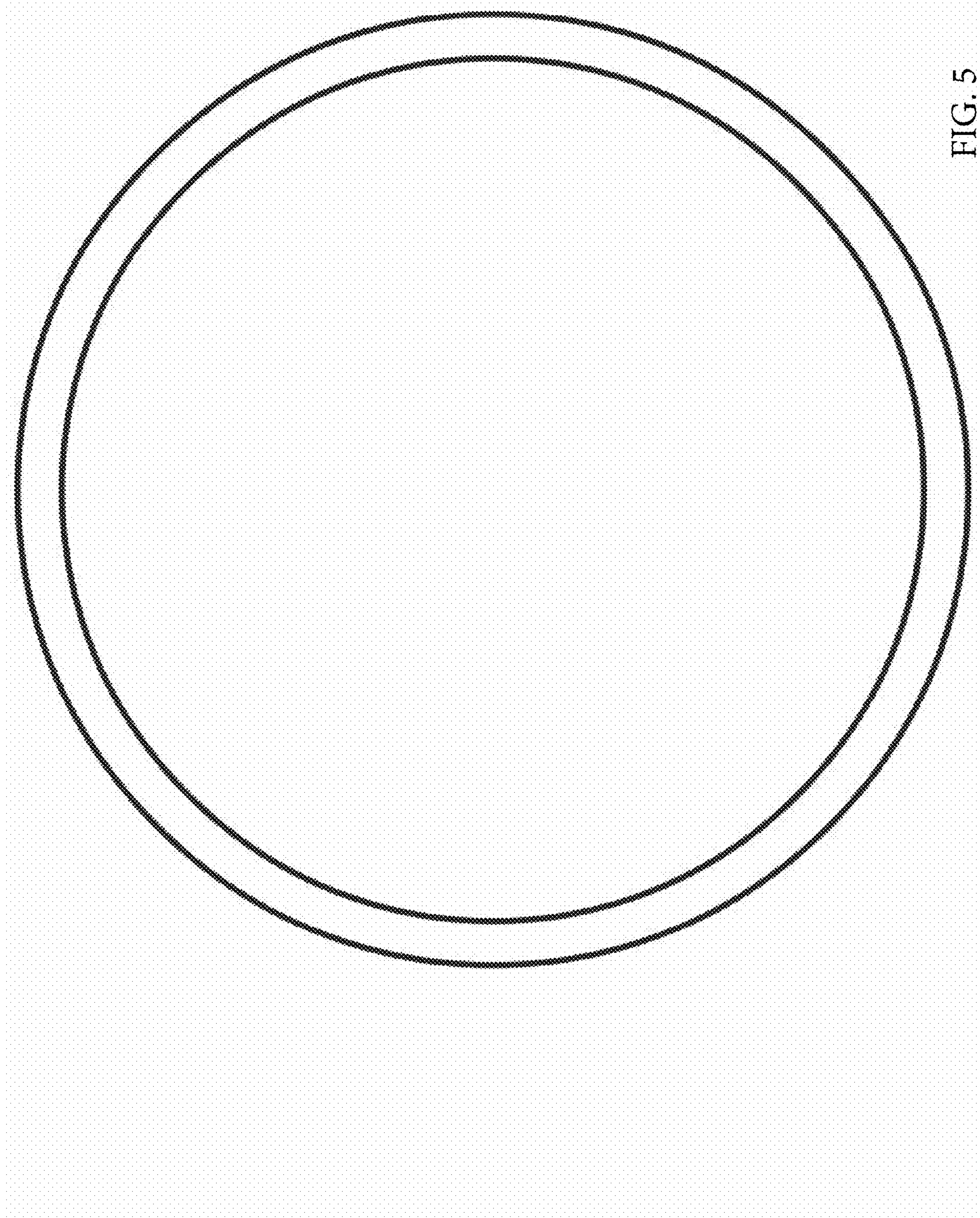


FIG. 5

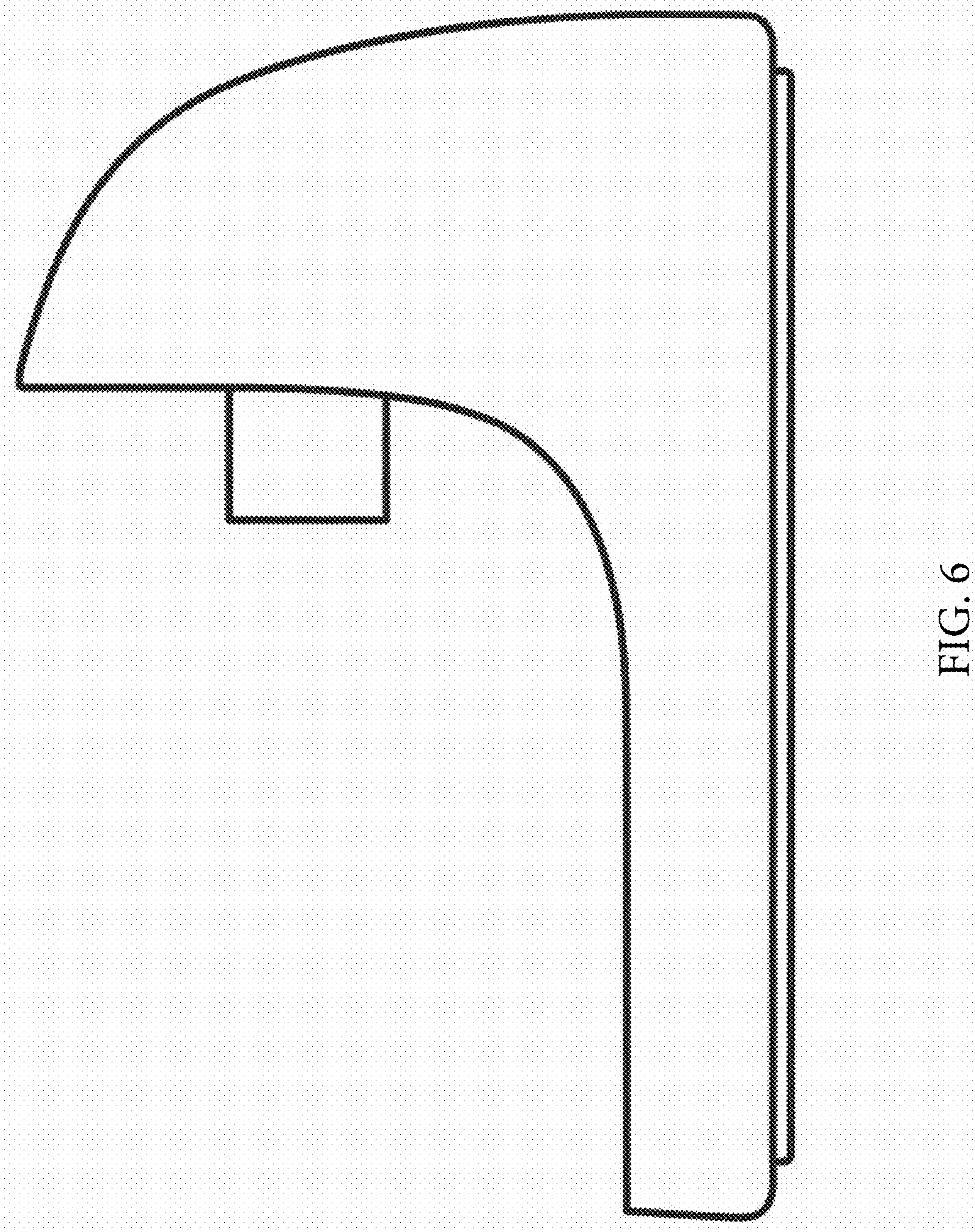


FIG. 6

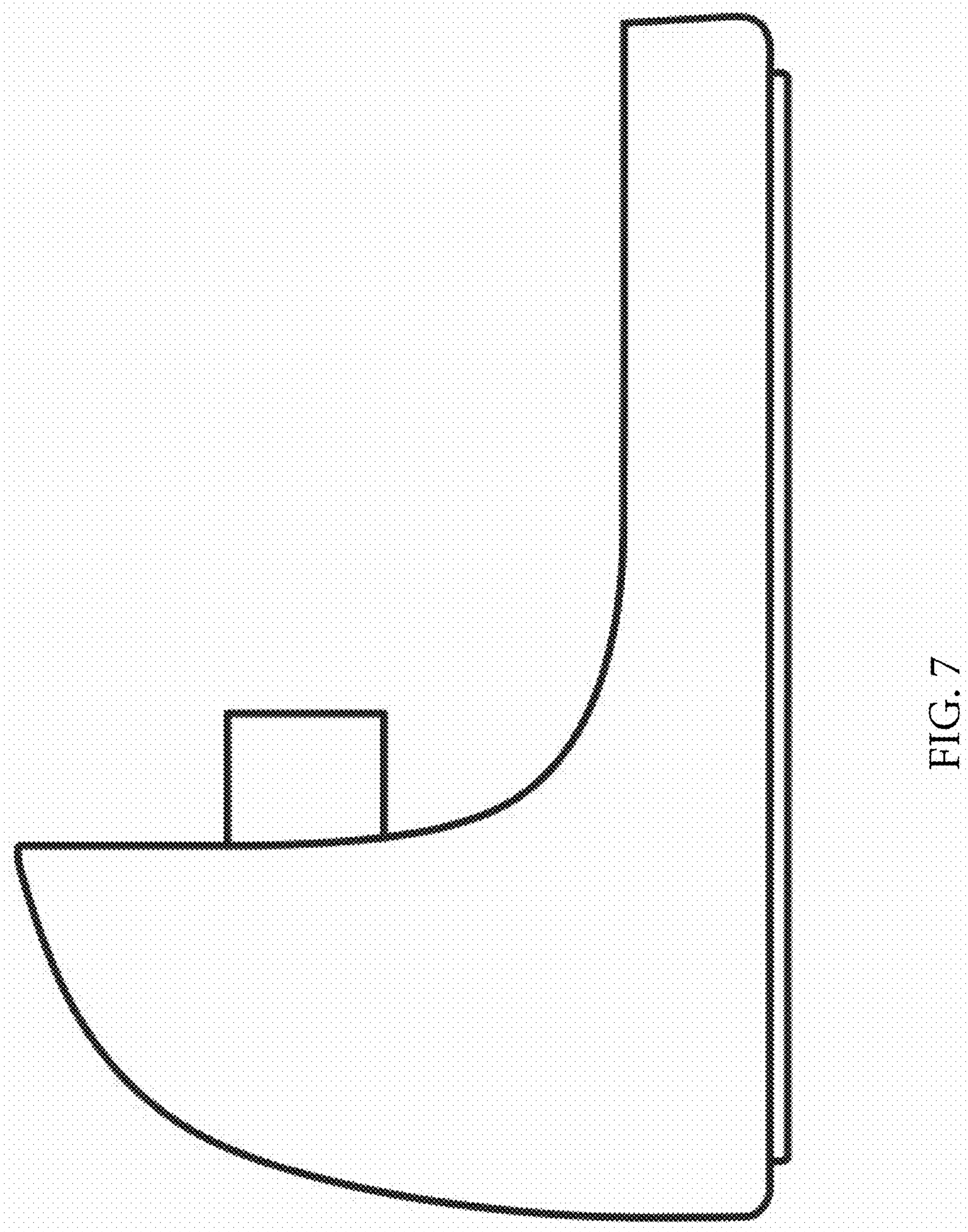


FIG. 7

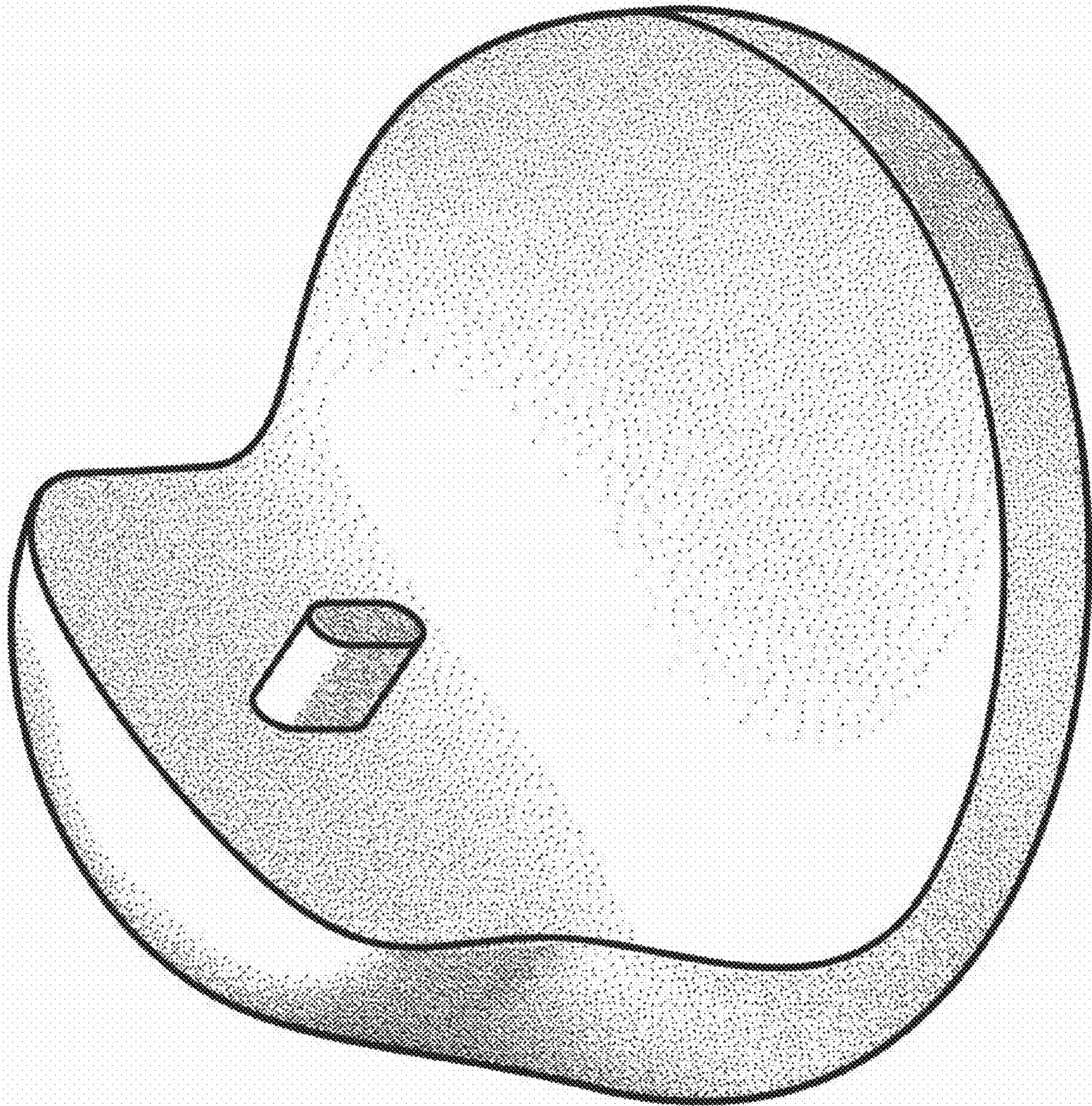


FIG. 8

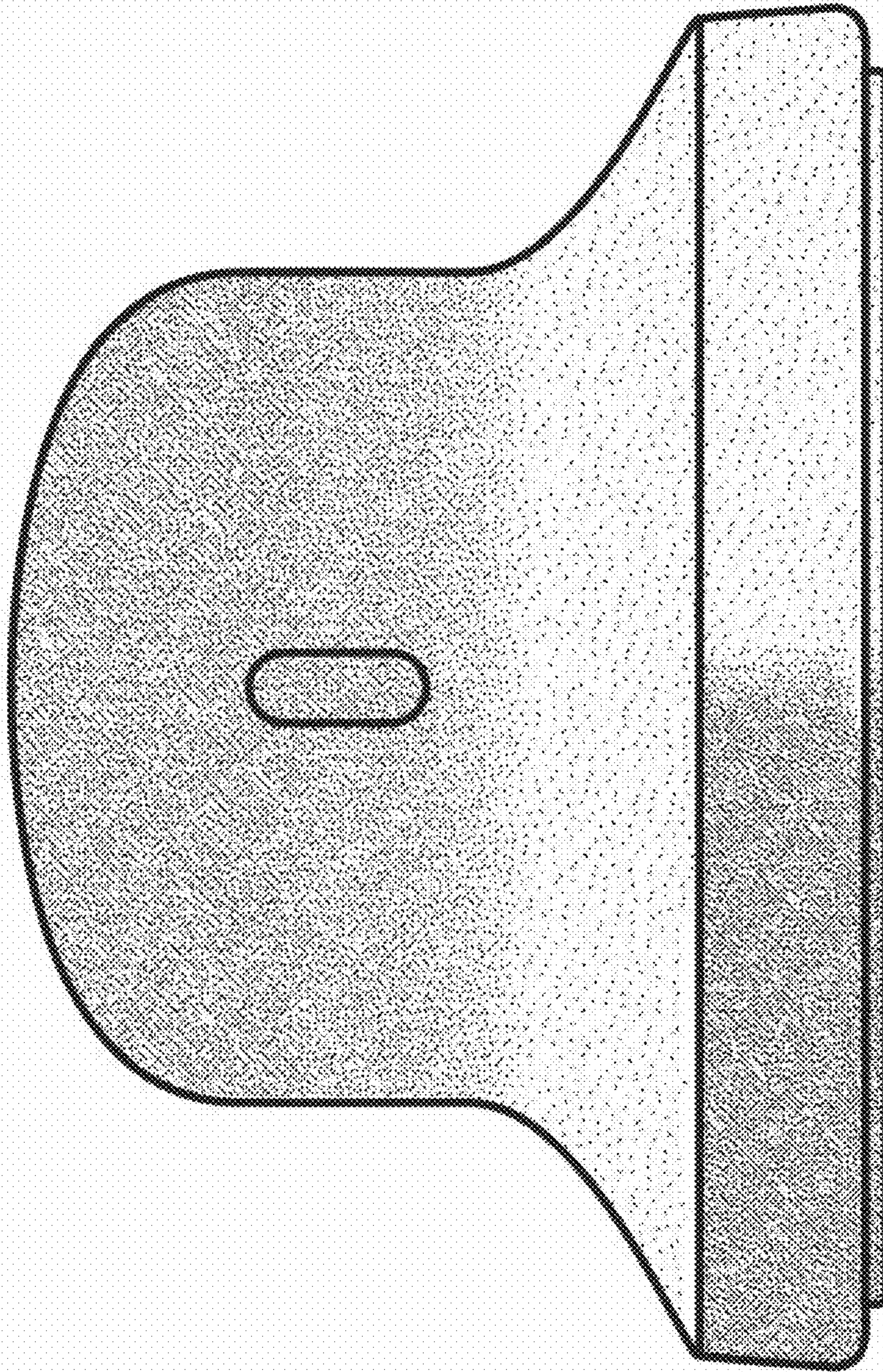


FIG. 9

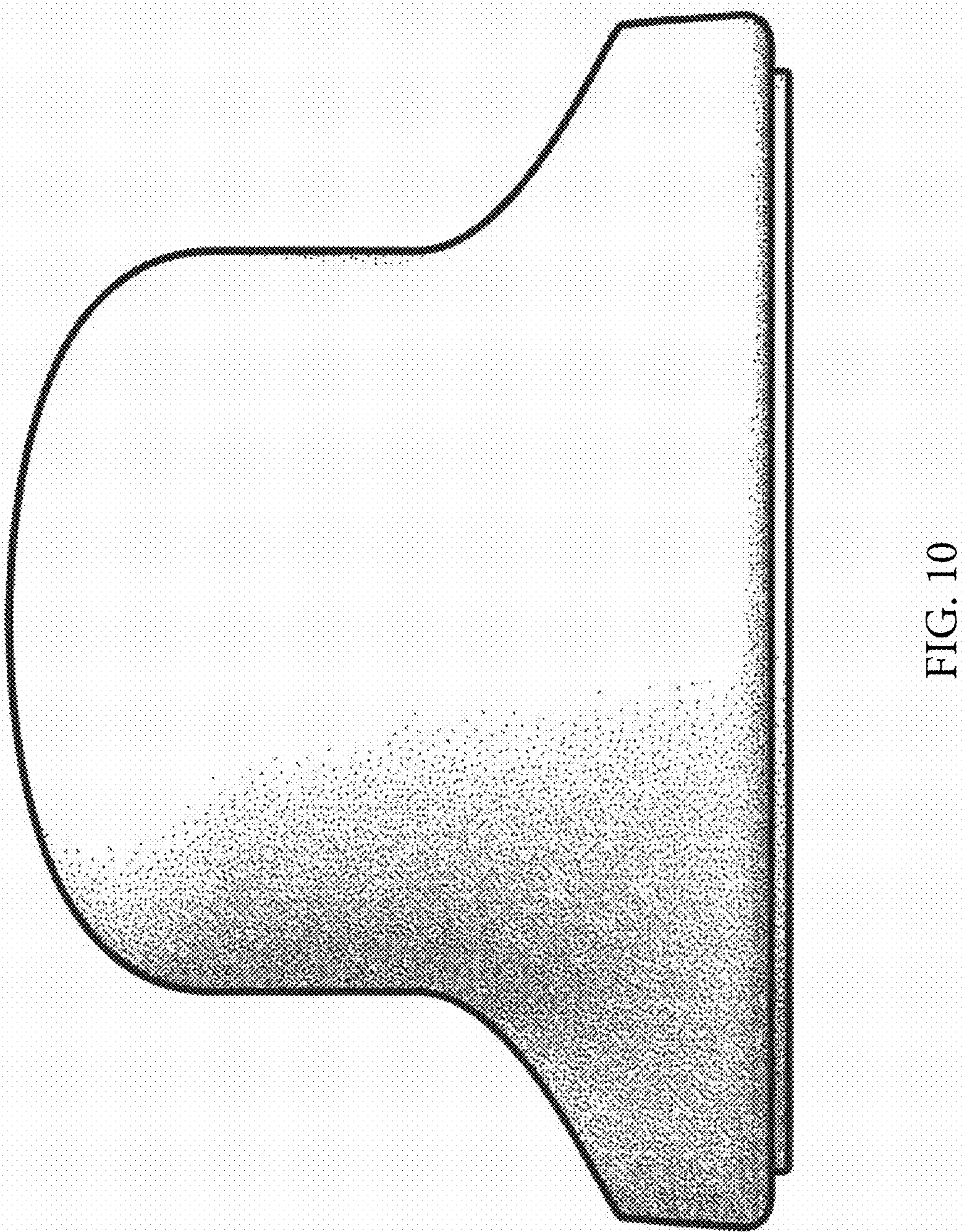


FIG. 10

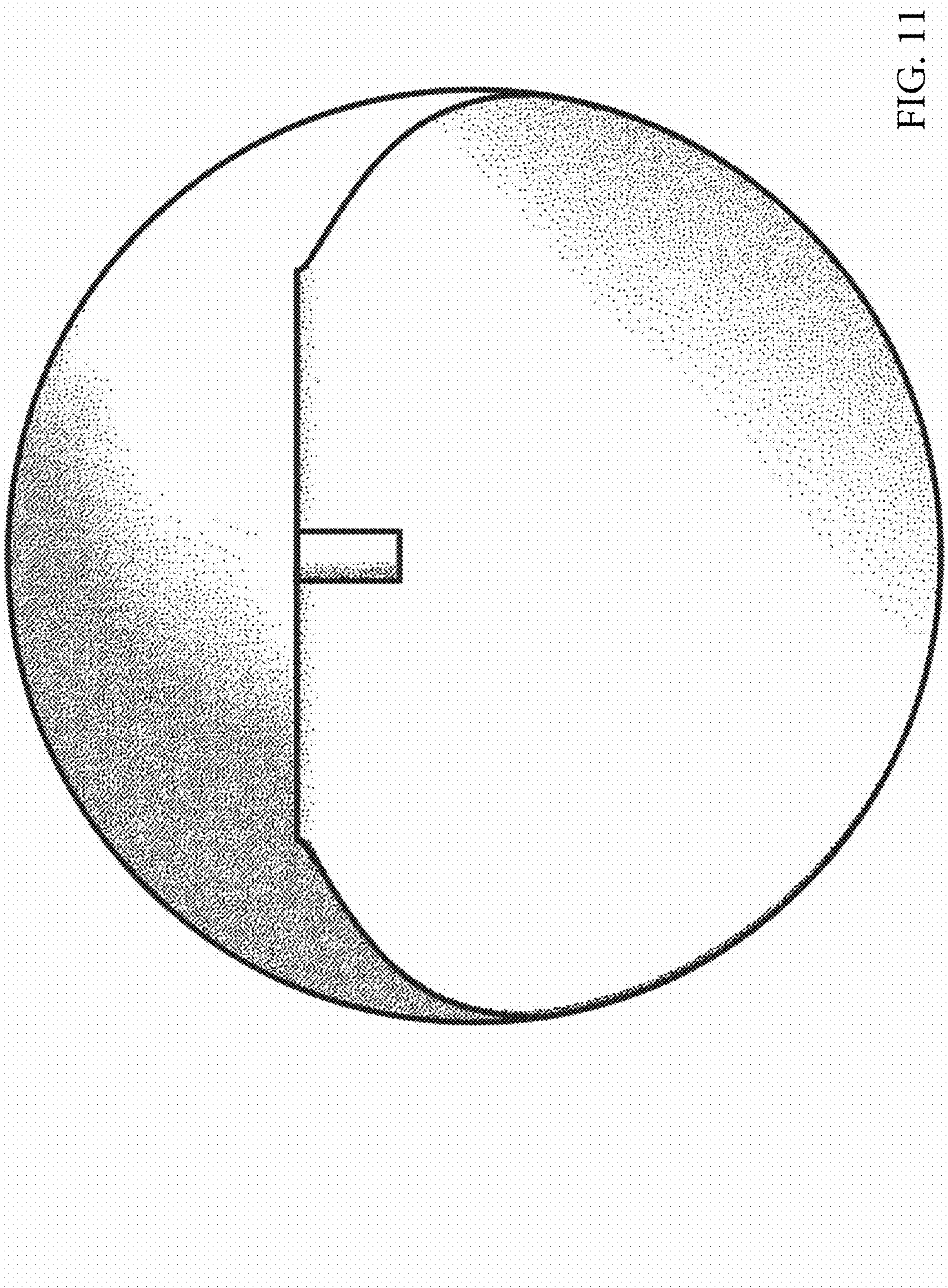


FIG. 11

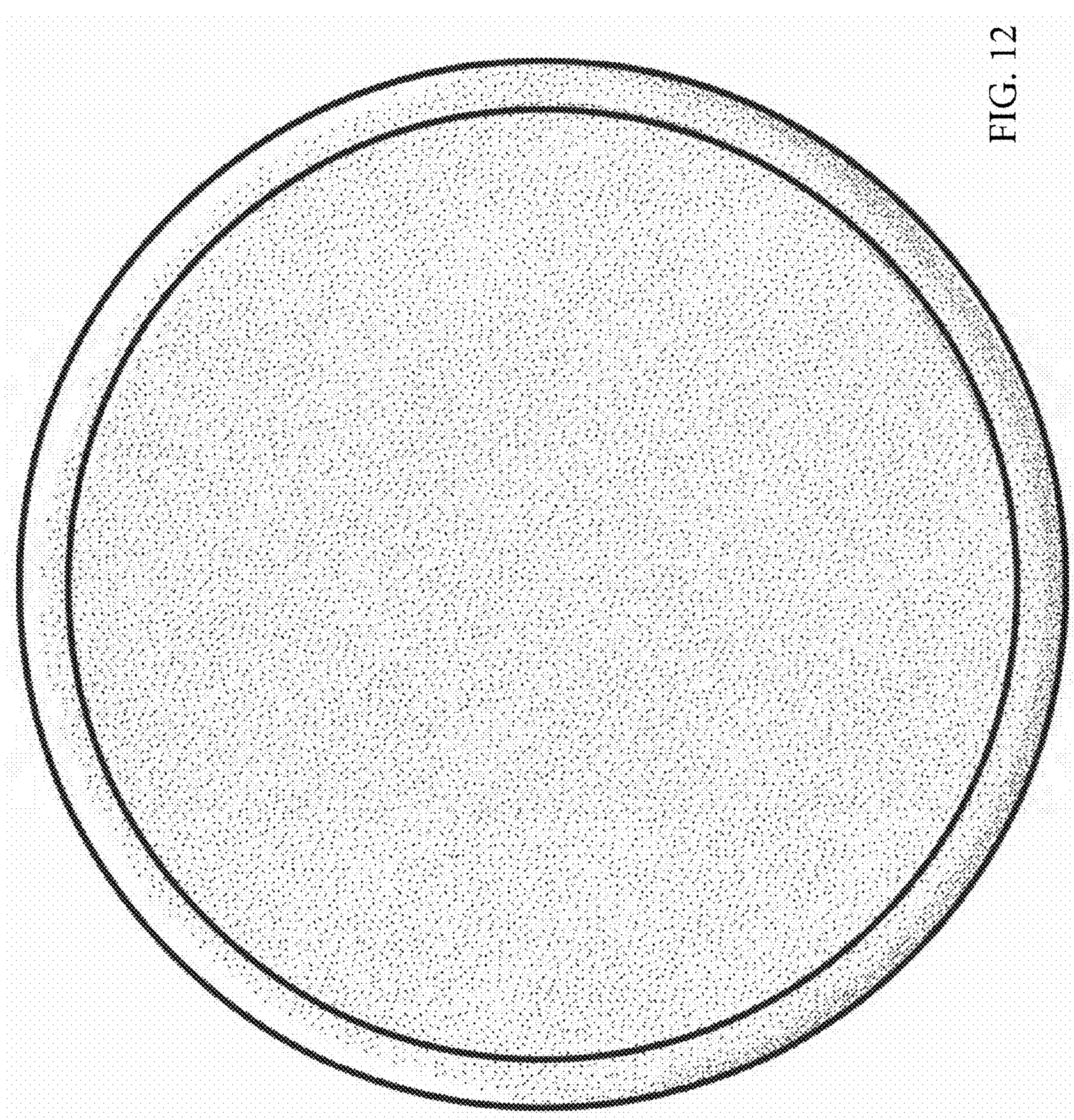


FIG. 12

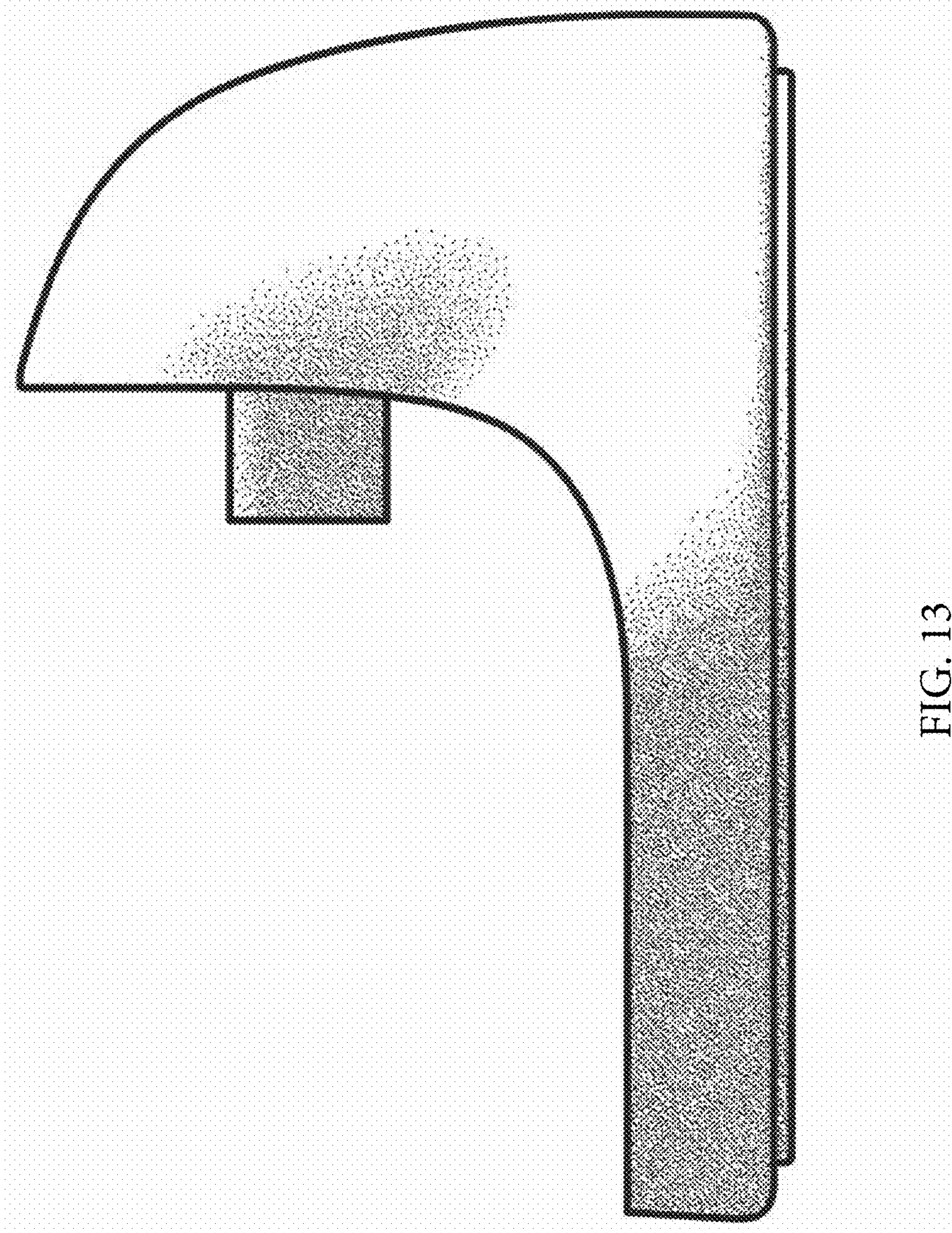


FIG. 13

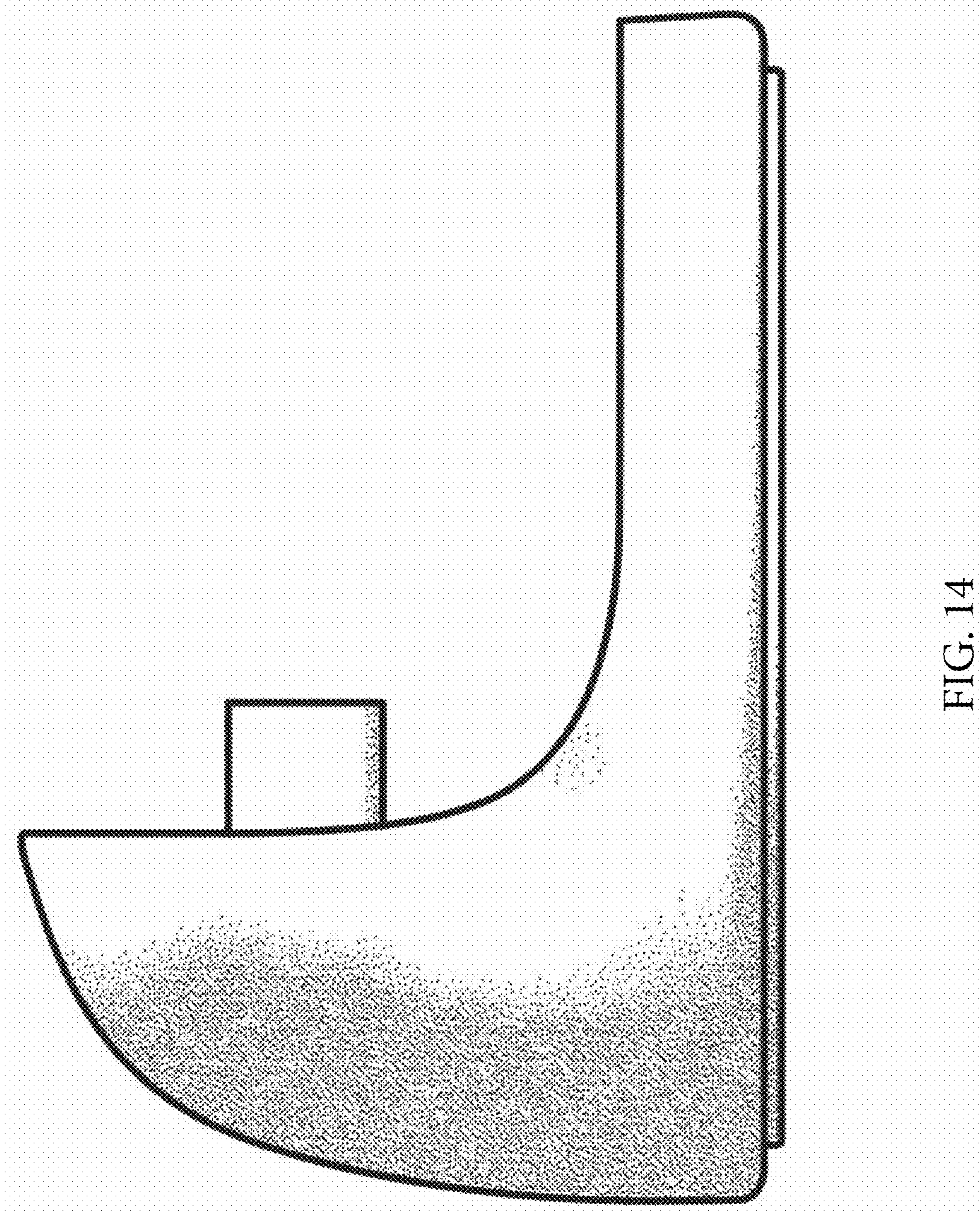


FIG. 14