



US00D887974S

(12) **United States Design Patent**
Chen et al.

(10) **Patent No.:** **US D887,974 S**
(45) **Date of Patent:** **** Jun. 23, 2020**

(54) **MULTI-FUNCTION WIRELESS CHARGER**

(71) Applicants: **Wimazon (Shenzhen) Technology Co., Ltd.**, Guangdong (CN); **Dongguan City Jianghan Electronics Co., Ltd.**, Guangdong (CN)

(72) Inventors: **Wei Xi Chen**, Guangdong (CN); **Tiejun He**, Guangdong (CN)

(**) Term: **15 Years**

(21) Appl. No.: **29/643,052**

(22) Filed: **Apr. 4, 2018**

(51) **LOC (12) Cl.** **13-02**

(52) **U.S. Cl.**
USPC **D13/108**

(58) **Field of Classification Search**
USPC D13/107–110, 118–119, 184; D14/251, D14/253, 432, 434
CPC Y02E 60/12; Y02T 90/14; Y02T 90/122; Y02T 90/128; Y02T 90/163; H02J 7/025; H02J 7/0042; H02J 7/0044; H02J 7/0045; H02J 7/0003; H01F 38/14; H01R 13/6675; H01M 2/1022; H01M 2/1055; H01M 10/44; H01M 10/46; H01M 10/425; B60L 11/182
See application file for complete search history.

(56) **References Cited**

U.S. PATENT DOCUMENTS

D659,637 S * 5/2012 Hwang D13/108
D725,591 S * 3/2015 Chien D13/103

D726,107 S * 4/2015 Mudge D13/110
D727,259 S * 4/2015 Hwang D13/108
D786,791 S * 5/2017 Jeong D13/108
D803,410 S * 11/2017 Im D24/187
D812,556 S * 3/2018 Xu D13/103
D845,897 S * 4/2019 Kim D13/108
D858,436 S * 9/2019 Chen D13/108
D860,936 S * 9/2019 Jia D13/108
D860,937 S * 9/2019 Slaatto D13/108
D865,664 S * 11/2019 Liao D13/108
D875,041 S * 2/2020 Chen D13/108

* cited by examiner

Primary Examiner — Nathaniel D. Buckner

(74) *Attorney, Agent, or Firm* — Prakash Nama; Global IP Services, PLLC

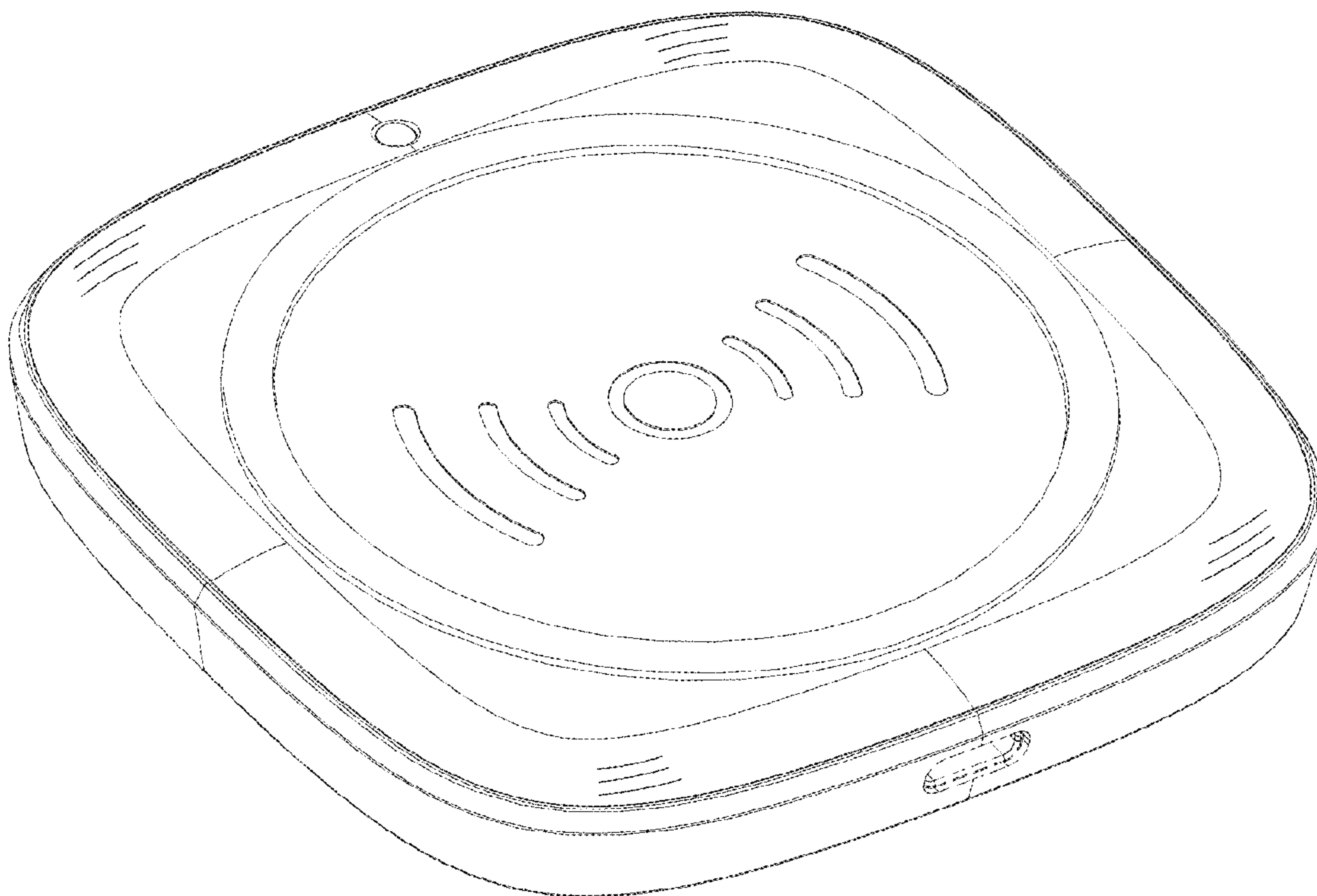
(57) **CLAIM**

The ornamental design for a multi-function wireless charger, as shown and described.

DESCRIPTION

FIG. 1 is a front elevational view of a multi-function wireless charger showing our new design; FIG. 2 is a rear elevational view thereof; FIG. 3 is a left side view thereof; FIG. 4 is a right side view thereof; FIG. 5 is a top plan view thereof; FIG. 6 is a bottom plan view thereof; FIG. 7 is a perspective view thereof; and, FIG. 8 is a bottom front perspective view thereof. The broken lines in the figures depict portions of the multi-function wireless charger which form no part of the claimed design.

1 Claim, 8 Drawing Sheets



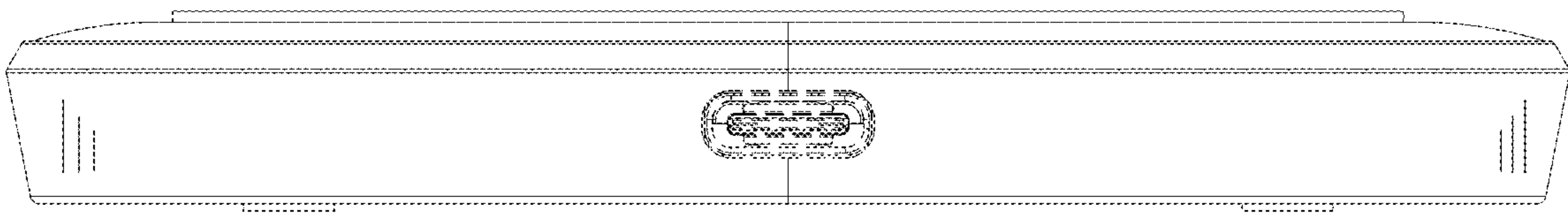


Fig. 1

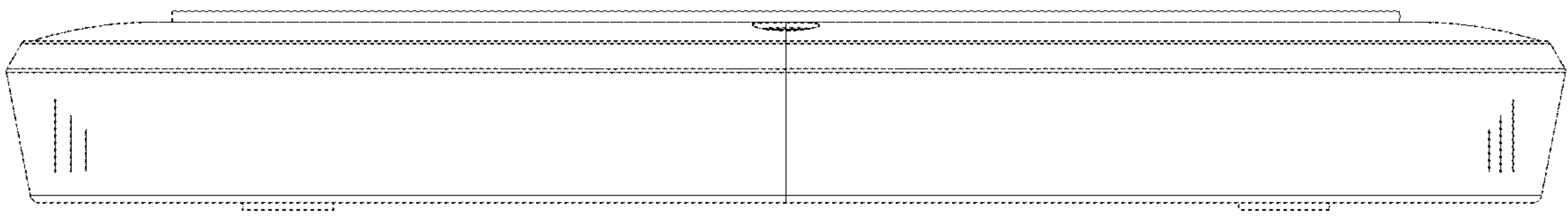


Fig. 2

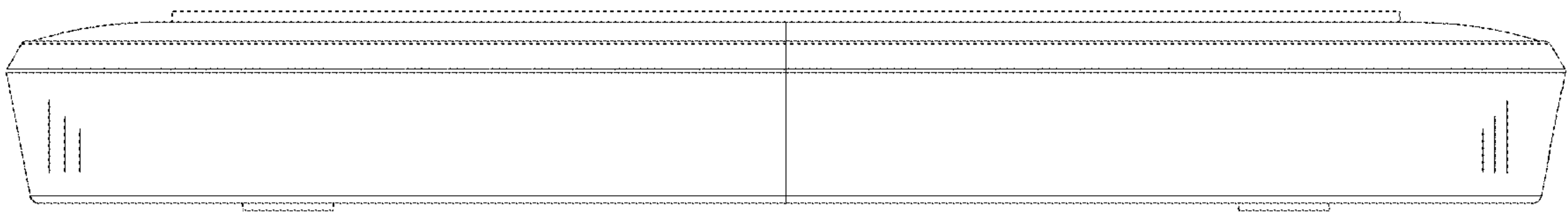


Fig. 3

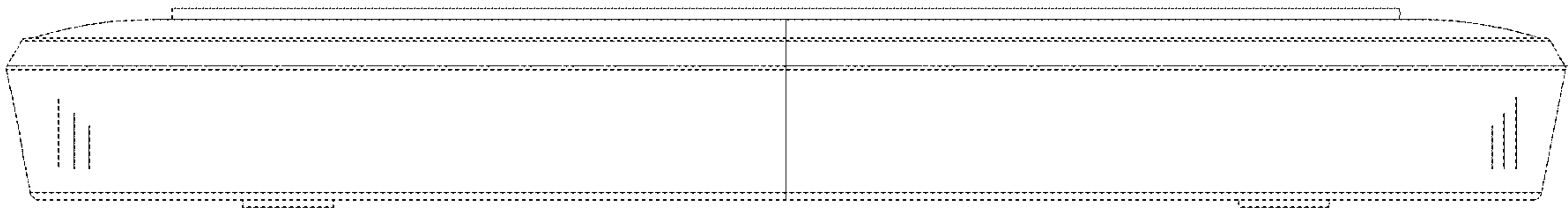


Fig. 4



Fig. 5

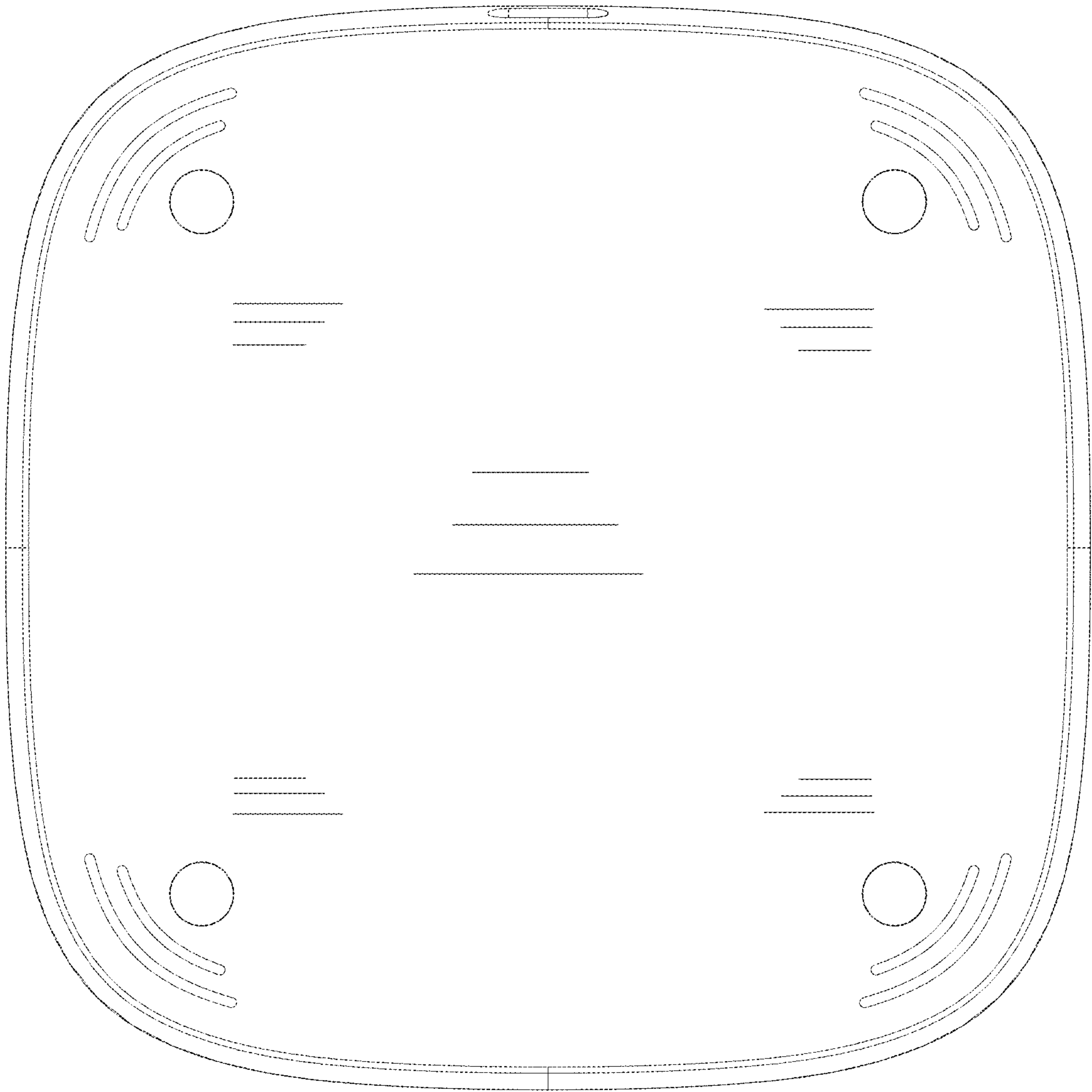


Fig. 6

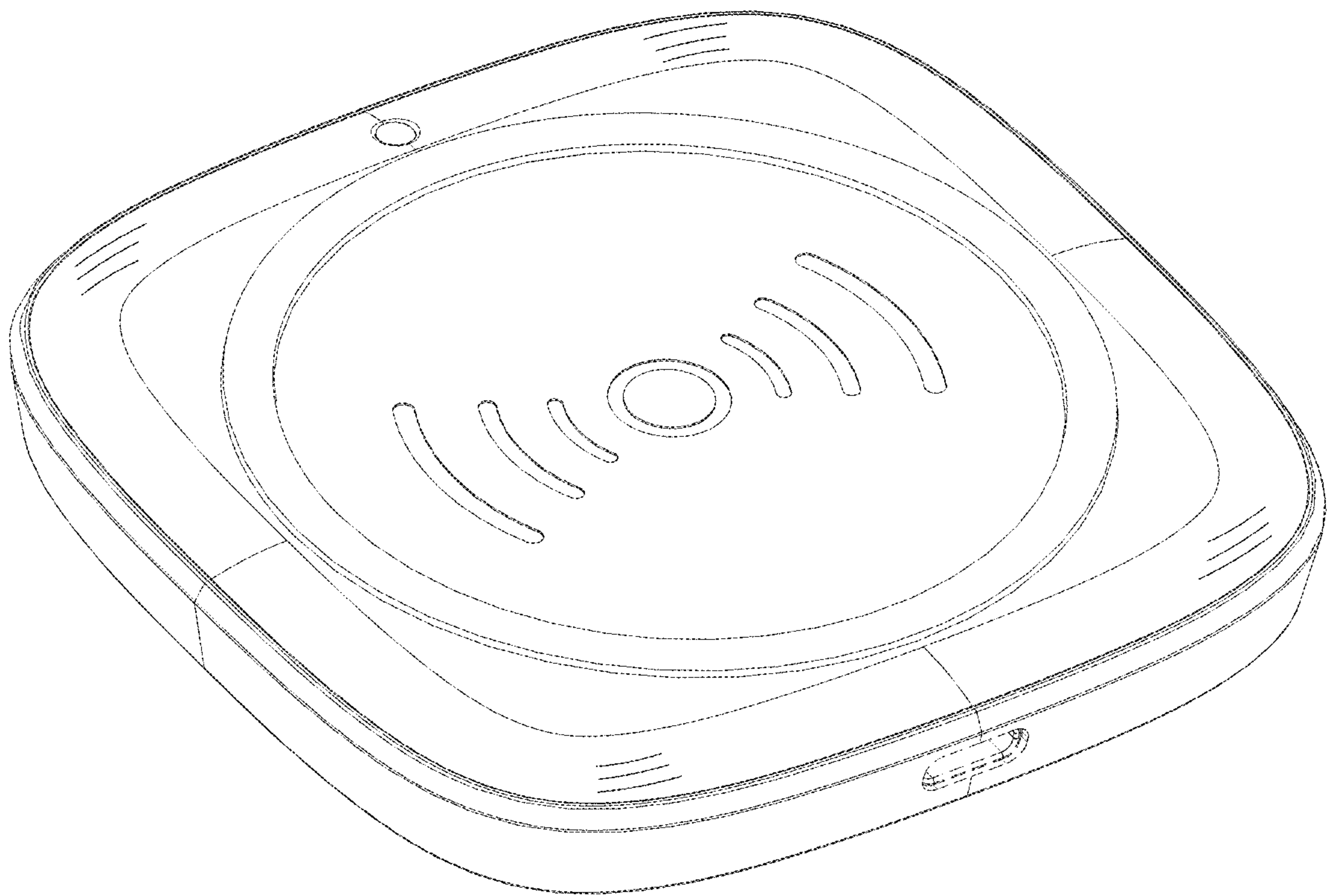


Fig. 7

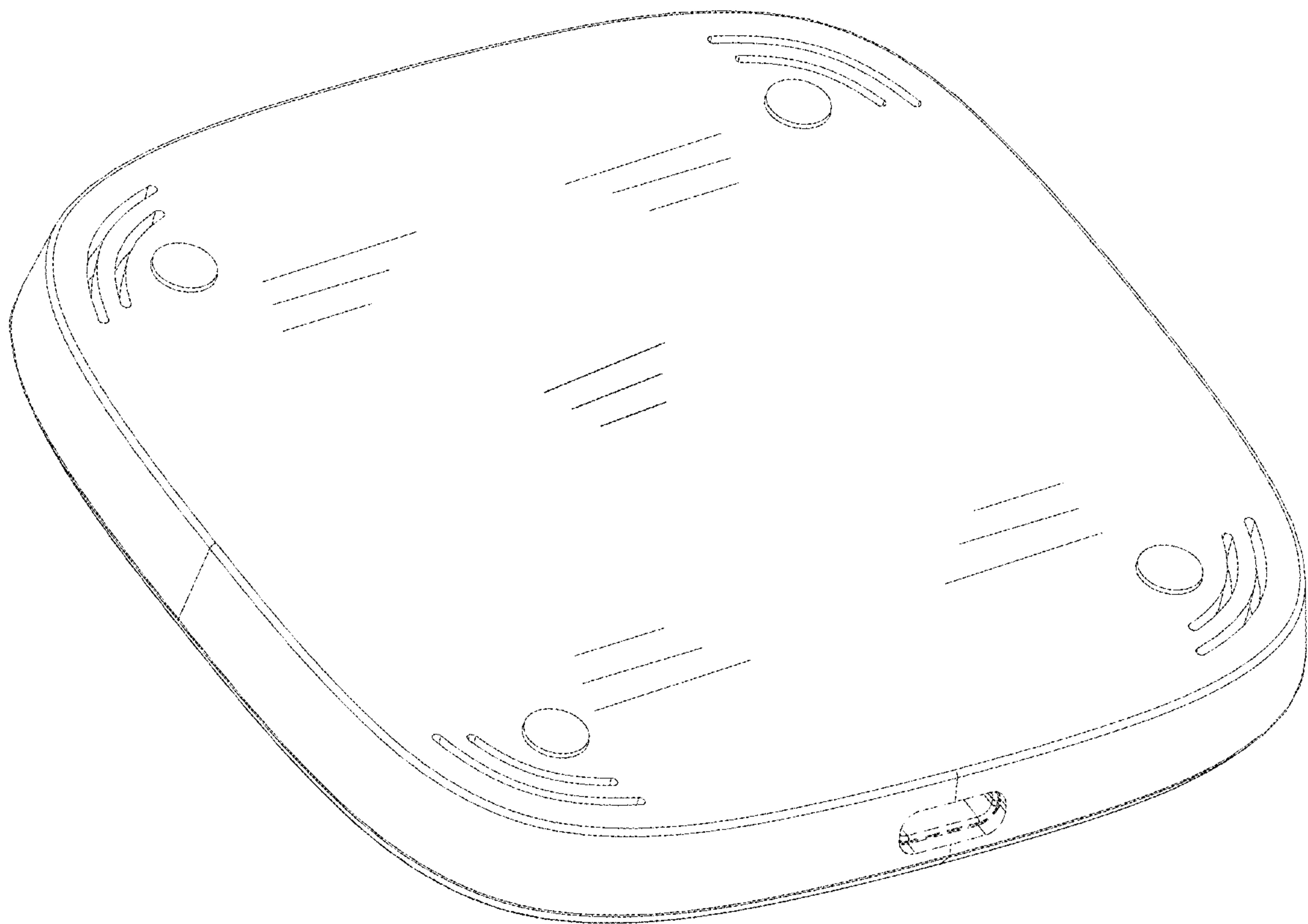


Fig. 8