



US00D887973S

(12) **United States Design Patent**
Chen et al.

(10) **Patent No.:** **US D887,973 S**
(45) **Date of Patent:** **** Jun. 23, 2020**

(54) **MULTI-FUNCTION WIRELESS CHARGER**

(71) Applicants: **Wimazon (Shenzhen) Technology Co., Ltd.**, Guangdong (CN); **Dongguan City Jiangnan Electronics Co., Ltd.**, Guangdong (CN)

(72) Inventors: **Wei Xi Chen**, Guangdong (CN); **Tiejun He**, Guangdong (CN)

(**) Term: **15 Years**

(21) Appl. No.: **29/643,048**

(22) Filed: **Apr. 4, 2018**

(51) **LOC (12) Cl.** **13-02**

(52) **U.S. Cl.**
USPC **D13/108**

(58) **Field of Classification Search**
USPC D13/107-110, 118-119, 184; D14/251, D14/253, 432, 434

CPC Y02E 60/12; Y02T 90/14; Y02T 90/122; Y02T 90/128; Y02T 90/163; H02J 7/025; H02J 7/0042; H02J 7/0044; H02J 7/0045; H02J 7/0003; H01F 38/14; H01R 13/6675; H01M 2/1022; H01M 2/1055; H01M 10/44; H01M 10/46; H01M 10/425; B60L 11/182

See application file for complete search history.

(56) **References Cited**

U.S. PATENT DOCUMENTS

D639,810 S * 6/2011 Hwang D13/107
D646,268 S * 10/2011 DeLorenzo D14/253

D680,117 S * 4/2013 Ho D14/318
D688,235 S * 8/2013 Song D14/253
D697,477 S * 1/2014 Jonas, III D13/108
D787,441 S * 5/2017 Lee D13/108
D831,657 S * 10/2018 Shim D14/435
D845,896 S * 4/2019 Hu D13/108
D859,308 S * 9/2019 Connell D13/108
D868,691 S * 12/2019 Sun D13/108
D871,332 S * 12/2019 Liao D13/108
D875,677 S * 2/2020 Shi D13/108
2009/0051319 A1 * 2/2009 Fang H02J 7/0044
320/115

* cited by examiner

Primary Examiner — Nathaniel D. Buckner

(74) *Attorney, Agent, or Firm* — Prakash Nama; Global IP Services, PLLC

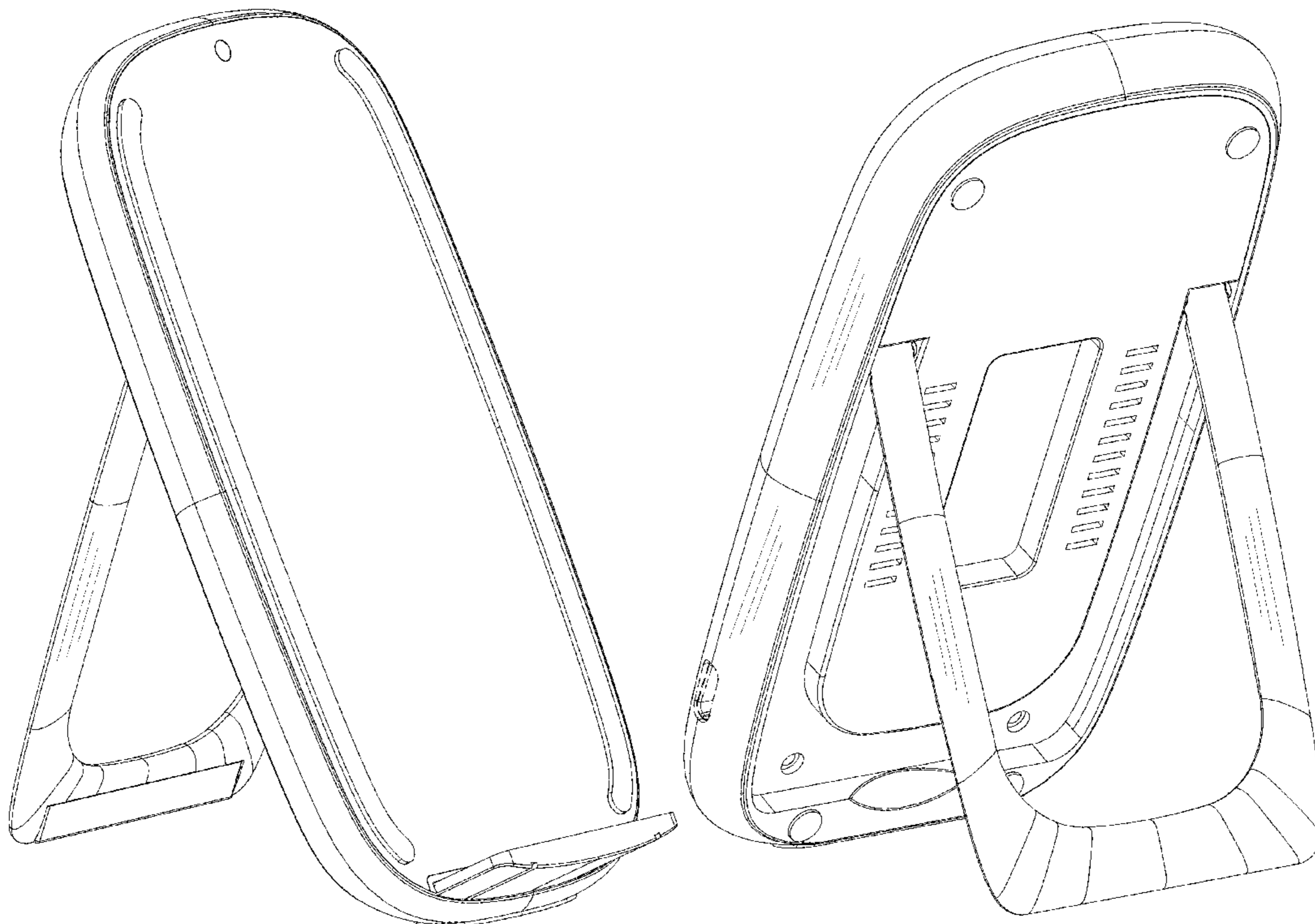
(57) **CLAIM**

The ornamental design for a multi-function wireless charger, as shown and described.

DESCRIPTION

FIG. 1 is a front elevational view of a multi-function wireless charger showing our new design; FIG. 2 is a rear elevational view thereof; FIG. 3 is a left side view thereof; FIG. 4 is a right side view thereof; FIG. 5 is a top plan view in an enlarged scale thereof; FIG. 6 is a bottom plan view in an enlarged scale thereof; FIG. 7 is a front left perspective view thereof; and, FIG. 8 is a rear right perspective view thereof. The broken lines in the figures depict portions of the article which form no part of the claimed design.

1 Claim, 8 Drawing Sheets



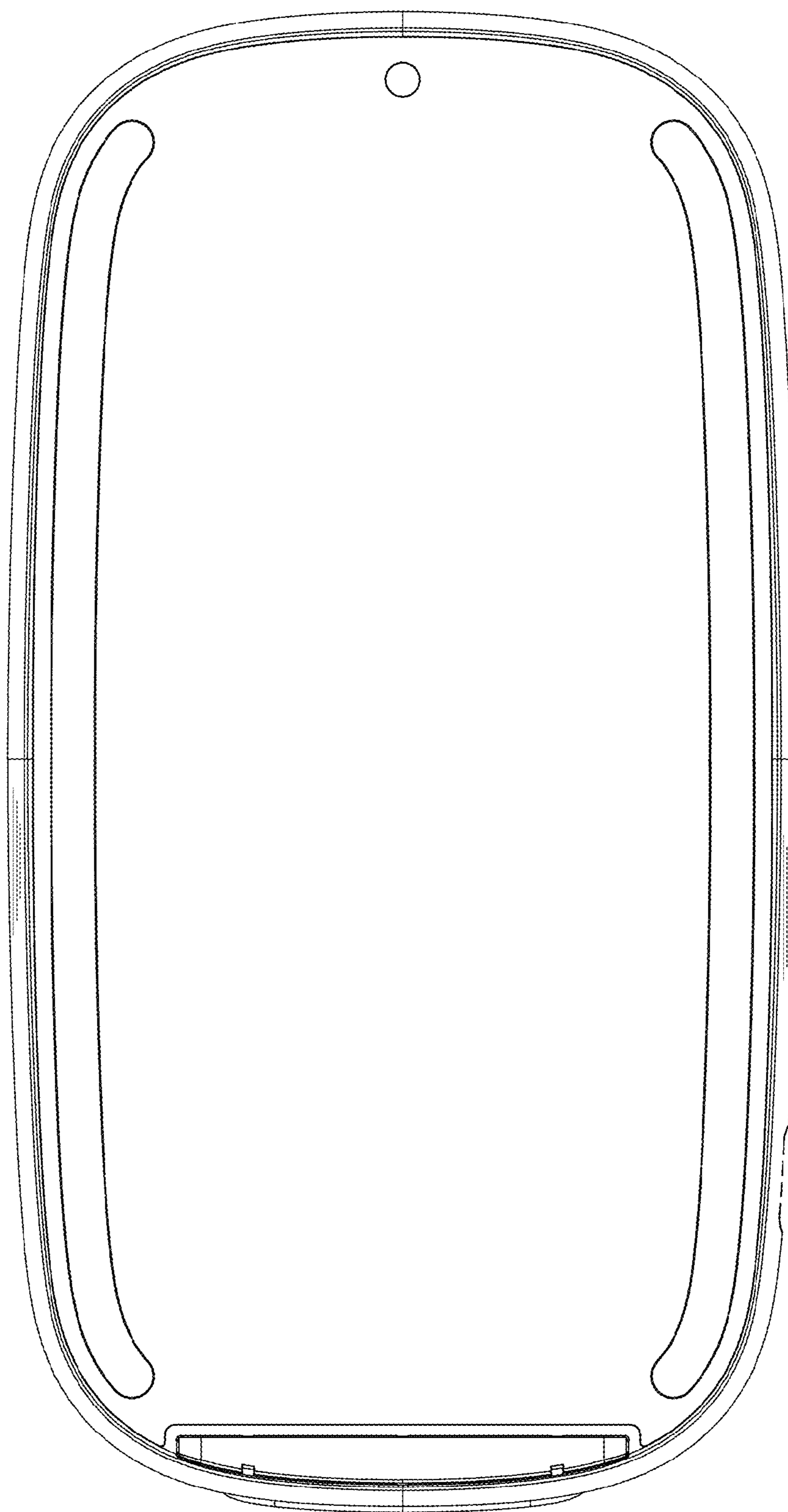


Fig. 1

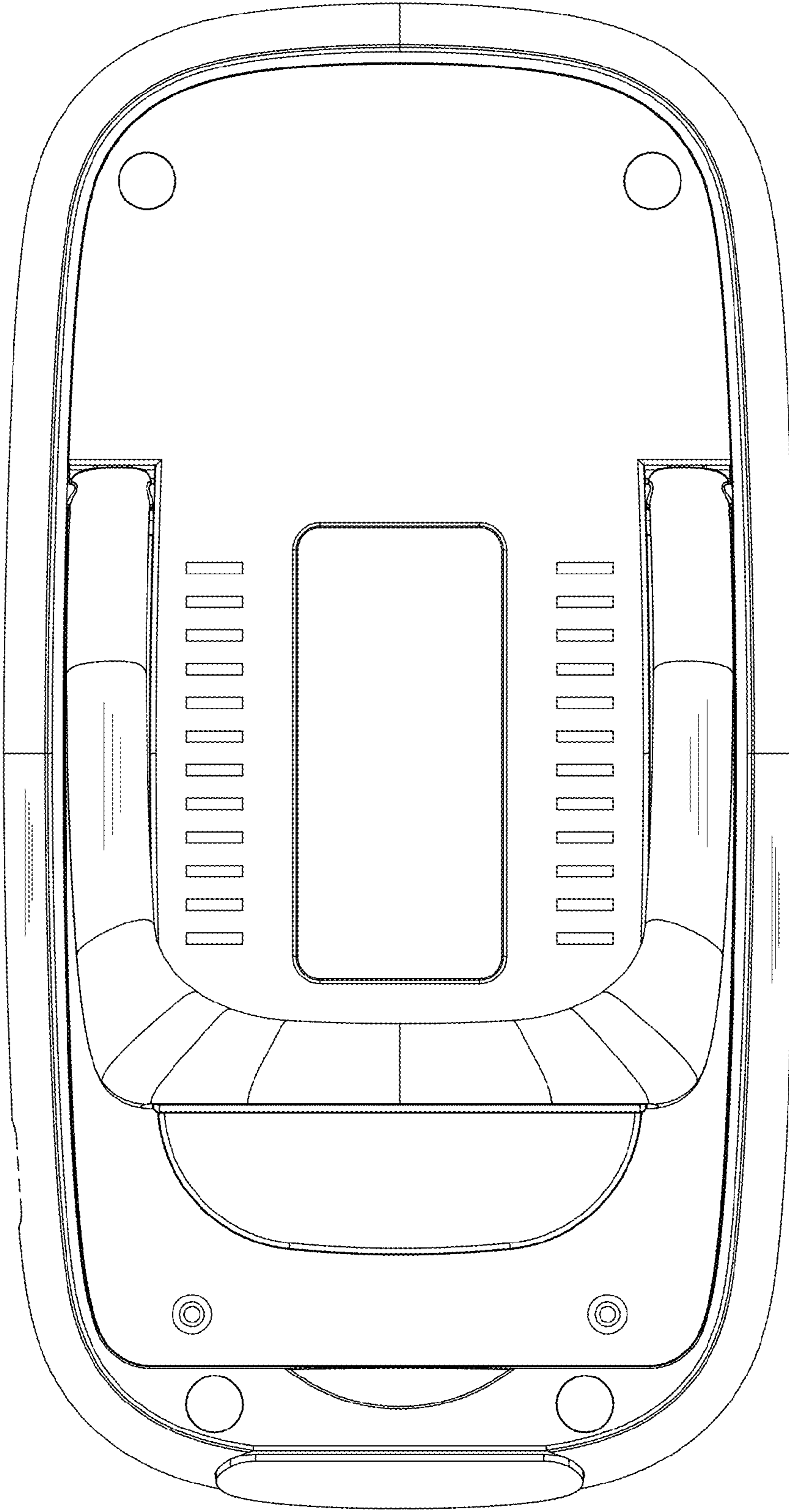


Fig. 2

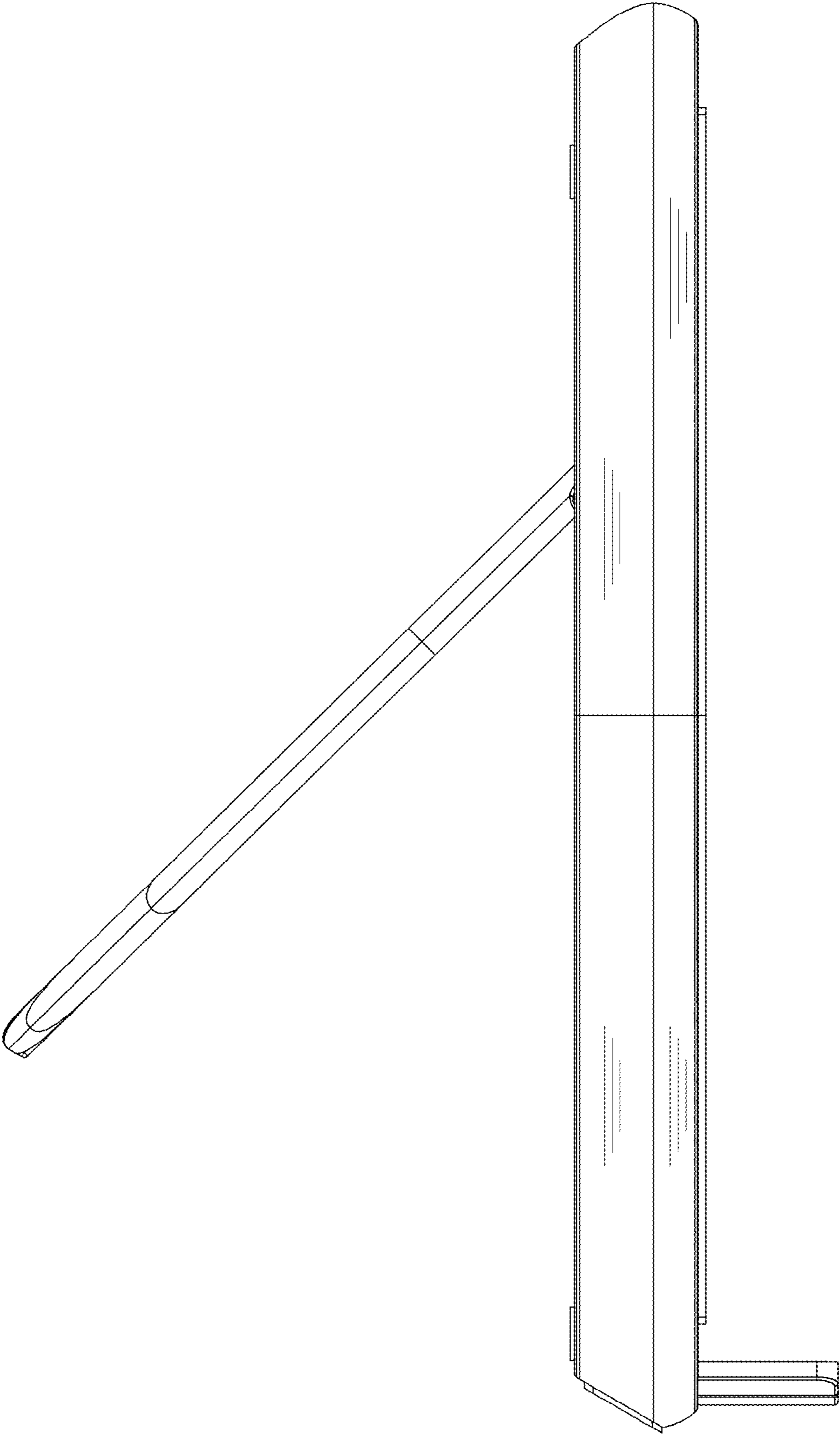


Fig. 3

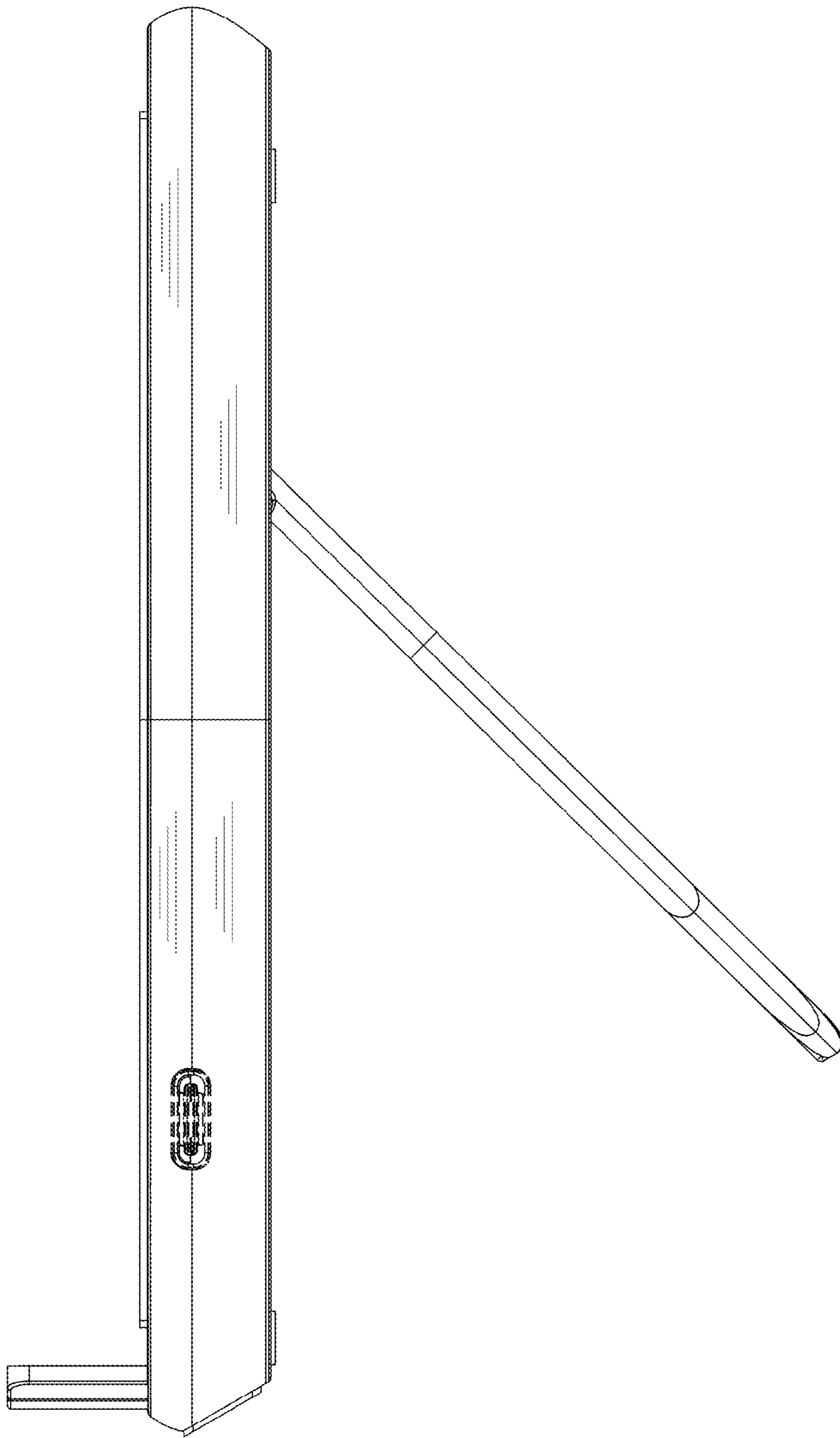


Fig. 4

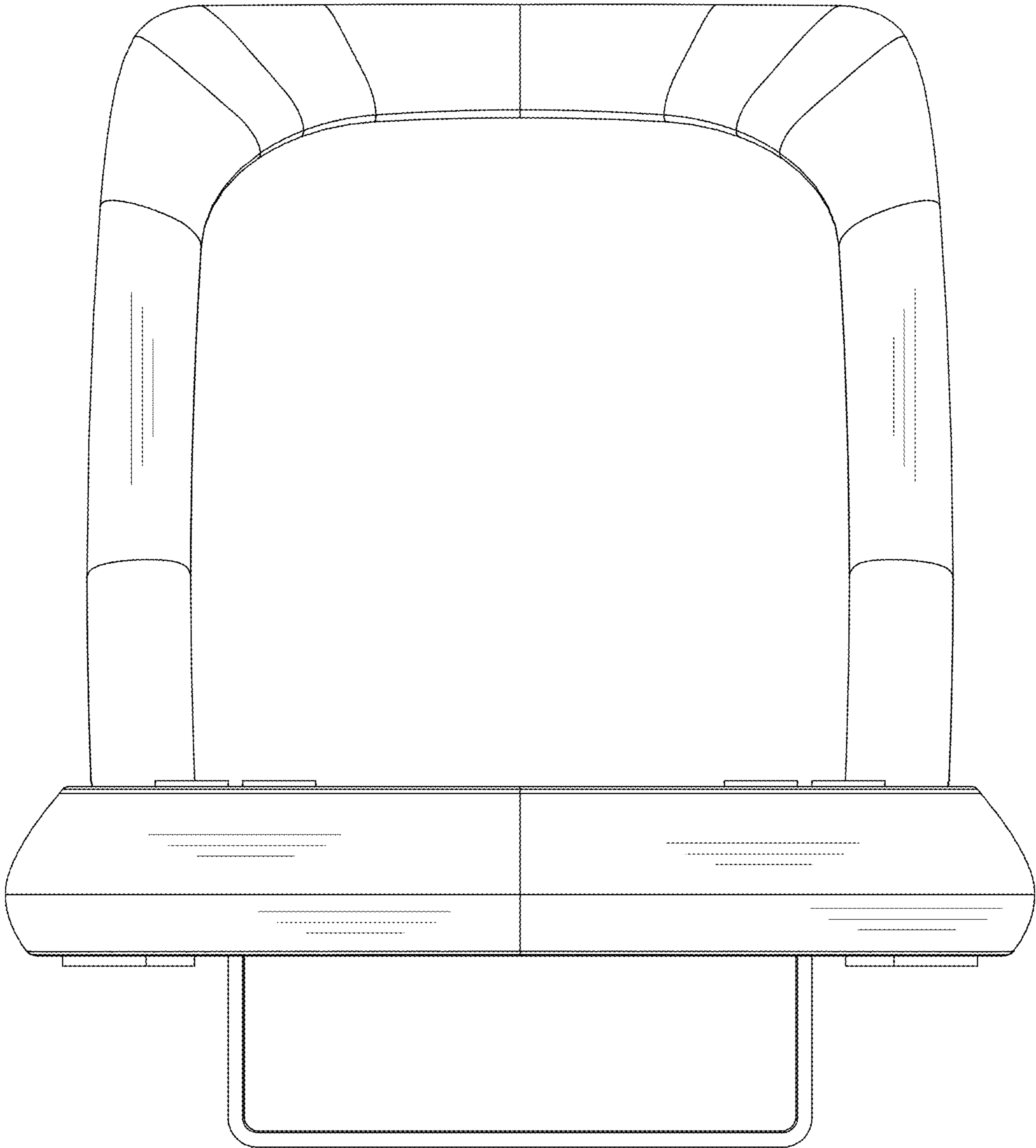


Fig. 5

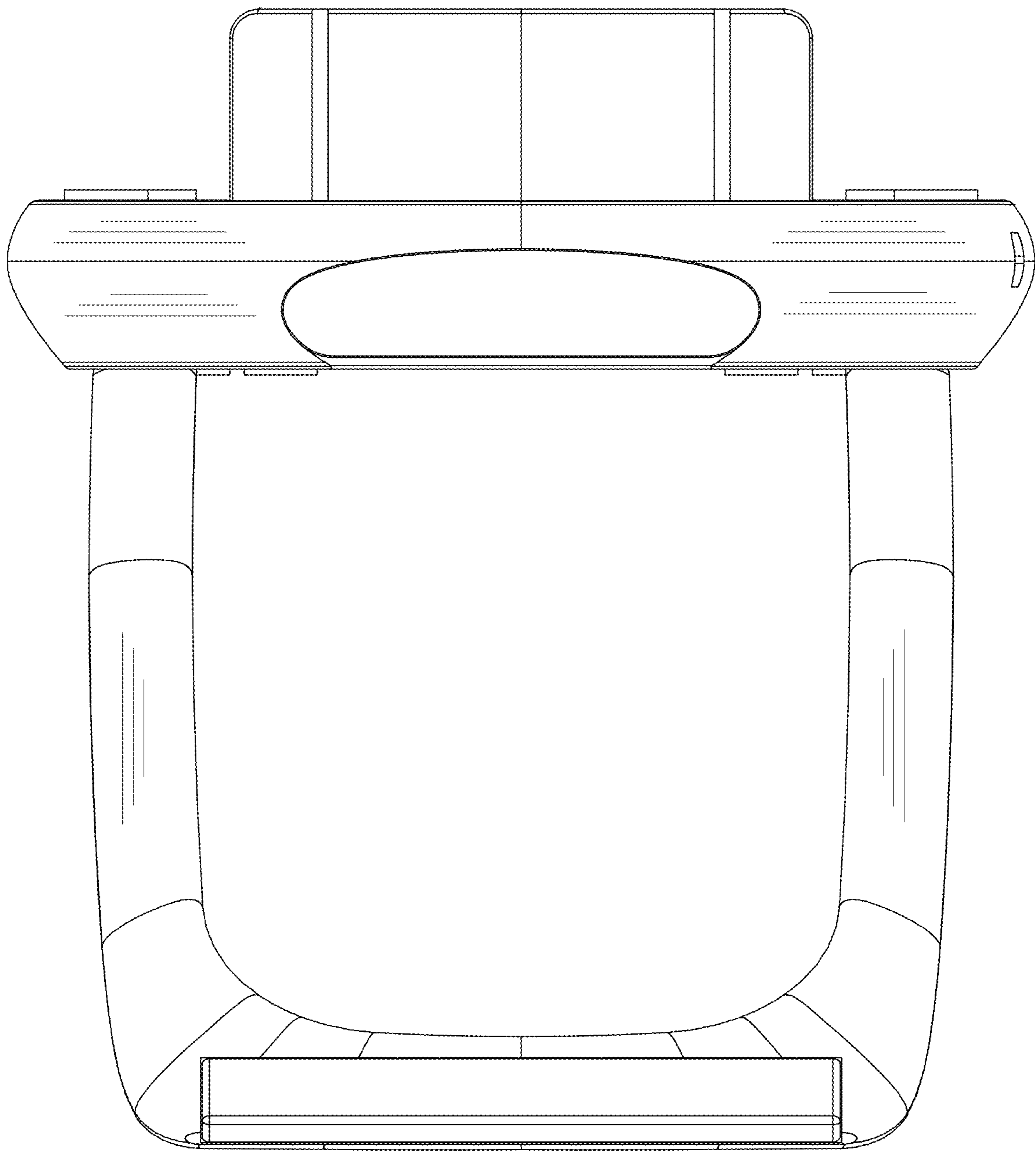


Fig. 6

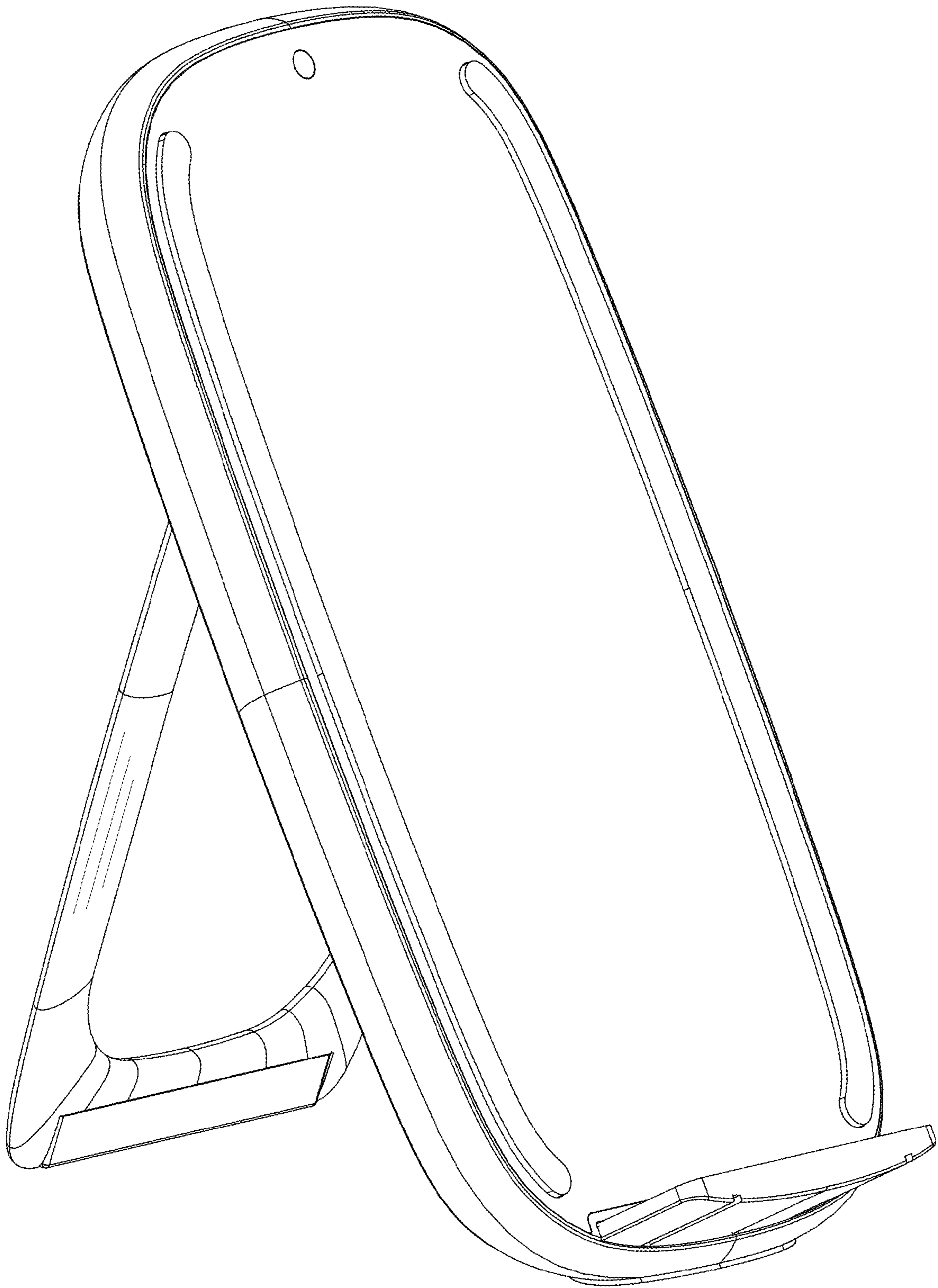


Fig. 7

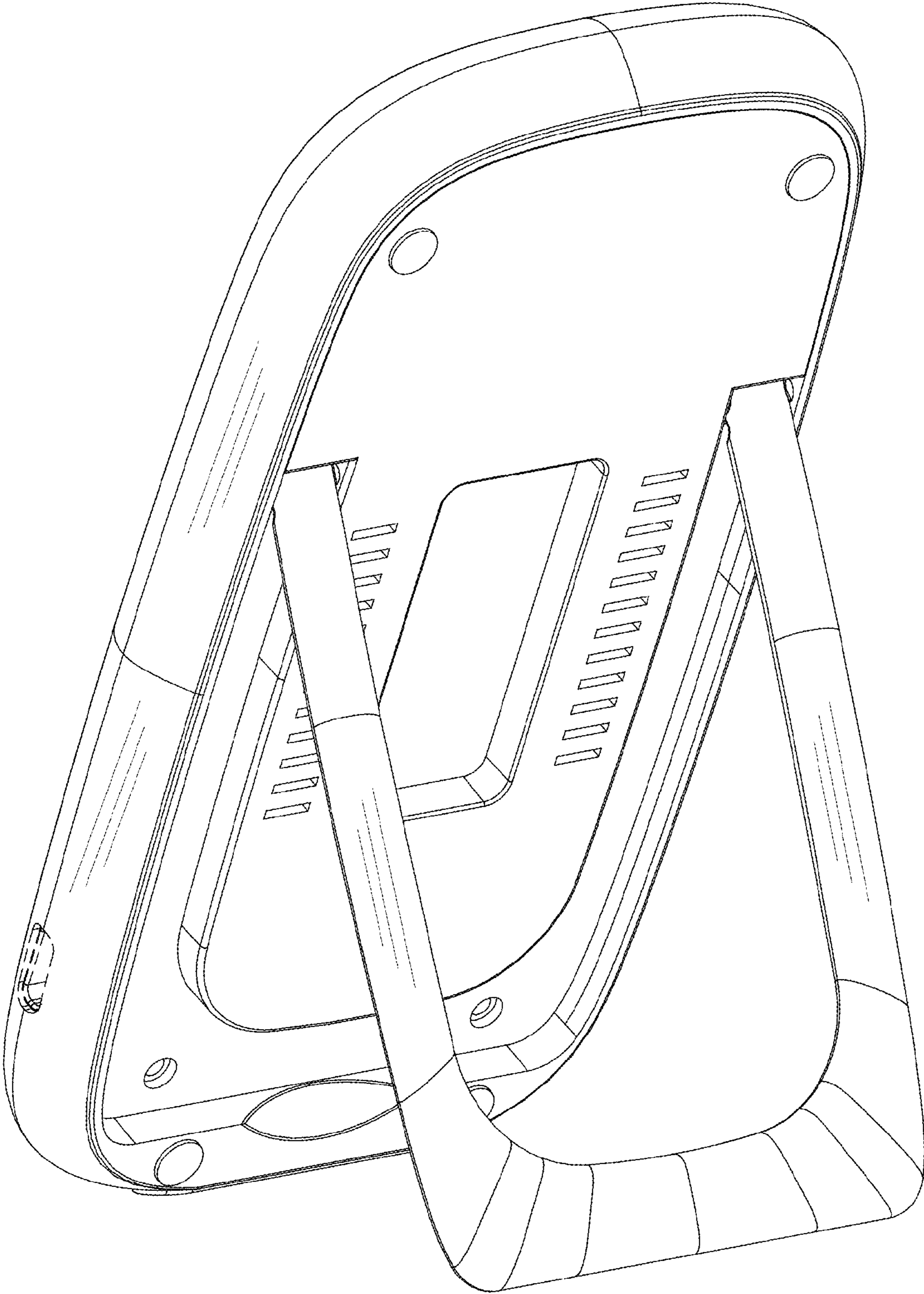


Fig. 8