



US00D887971S

(12) **United States Design Patent** (10) **Patent No.:** **US D887,971 S**
Shum (45) **Date of Patent:** **** Jun. 23, 2020**

(54) **BATTERY CHARGER**

(71) Applicant: **Ling To Shum**, Boca Raton, FL (US)

(72) Inventor: **Ling To Shum**, Boca Raton, FL (US)

(**) Term: **15 Years**

(21) Appl. No.: **29/669,455**

(22) Filed: **Nov. 8, 2018**

(51) **LOC (12) Cl.** **13-02**

(52) **U.S. Cl.**
USPC **D13/107**

(58) **Field of Classification Search**
USPC D13/103–110, 118, 119, 184, 199;
D14/251, 253, 432, 434

CPC Y02E 60/10; Y02E 60/12; Y02E 60/122;
Y02E 60/124; Y02E 60/50; H01M 2/02;
H01M 2/022; H01M 2/0202; H01M
2/0207; H01M 2/0212; H01M 2/1061;
H01M 2/1022; H01M 2/1055; H01M
2/1066; H01M 2/105; H01M 2/20; H01M
2/202; H01M 2/204; H01M 2/206; H01M
10/44; H01M 10/46; H01M 10/465;
H01M 10/482; H01M 2200/30; H01M
2250/30; H01M 2250/40; H02J 7/00;
H02J 7/0003; H02J 7/0011; H02J 7/0013;
H02J 7/0054; H02J 7/0055; H02J 7/0057;
H02J 2007/0062

See application file for complete search history.

(56) **References Cited**

U.S. PATENT DOCUMENTS

D483,326 S * 12/2003 Krieger D13/107
D491,141 S * 6/2004 Krieger D13/107
D493,770 S * 8/2004 Krieger D13/107
D494,925 S * 8/2004 Krieger D13/107
D503,378 S * 3/2005 Hussaini D13/107
D506,975 S * 7/2005 Krieger D13/107
D548,695 S * 8/2007 Krieger D13/110
D561,688 S * 2/2008 Hussaini D13/110
D577,668 S * 9/2008 Buck D13/110

D684,115 S * 6/2013 Inskeep D13/107
D729,728 S * 5/2015 Inskeep D13/107
D742,308 S * 11/2015 James D13/107
D742,821 S * 11/2015 James D13/107
D755,715 S * 5/2016 Inskeep D13/107
D761,200 S * 7/2016 Inskeep D13/107
D761,203 S * 7/2016 Inskeep D13/110
D773,992 S * 12/2016 Krantz D13/110

(Continued)

OTHER PUBLICATIONS

Amazon.com: Black+Decker BC15BD Fully Automatic . . . Date first available of May 30, 2014. Retrieved from the internet at <<https://www.amazon.com/BLACK-DECKER-BC15BD-Battery-Alternator/dp/B00KNMKRU8/>>, Oct. 28, 2019. 1 page. (Year: 2014).*

(Continued)

Primary Examiner — Rosemary K Tarcza
Assistant Examiner — Christy M Nemeth
(74) *Attorney, Agent, or Firm* — Morgan, Lewis & Bockius LLP

(57) **CLAIM**

I claim the ornamental design for a battery charger, as shown and described.

DESCRIPTION

FIG. 1 is a front perspective view of a battery charger showing my new design.

FIG. 2 is a rear perspective view of FIG. 1.

FIG. 3 is a front view thereof.

FIG. 4 is a left view thereof, which is a mirror image of a right view.

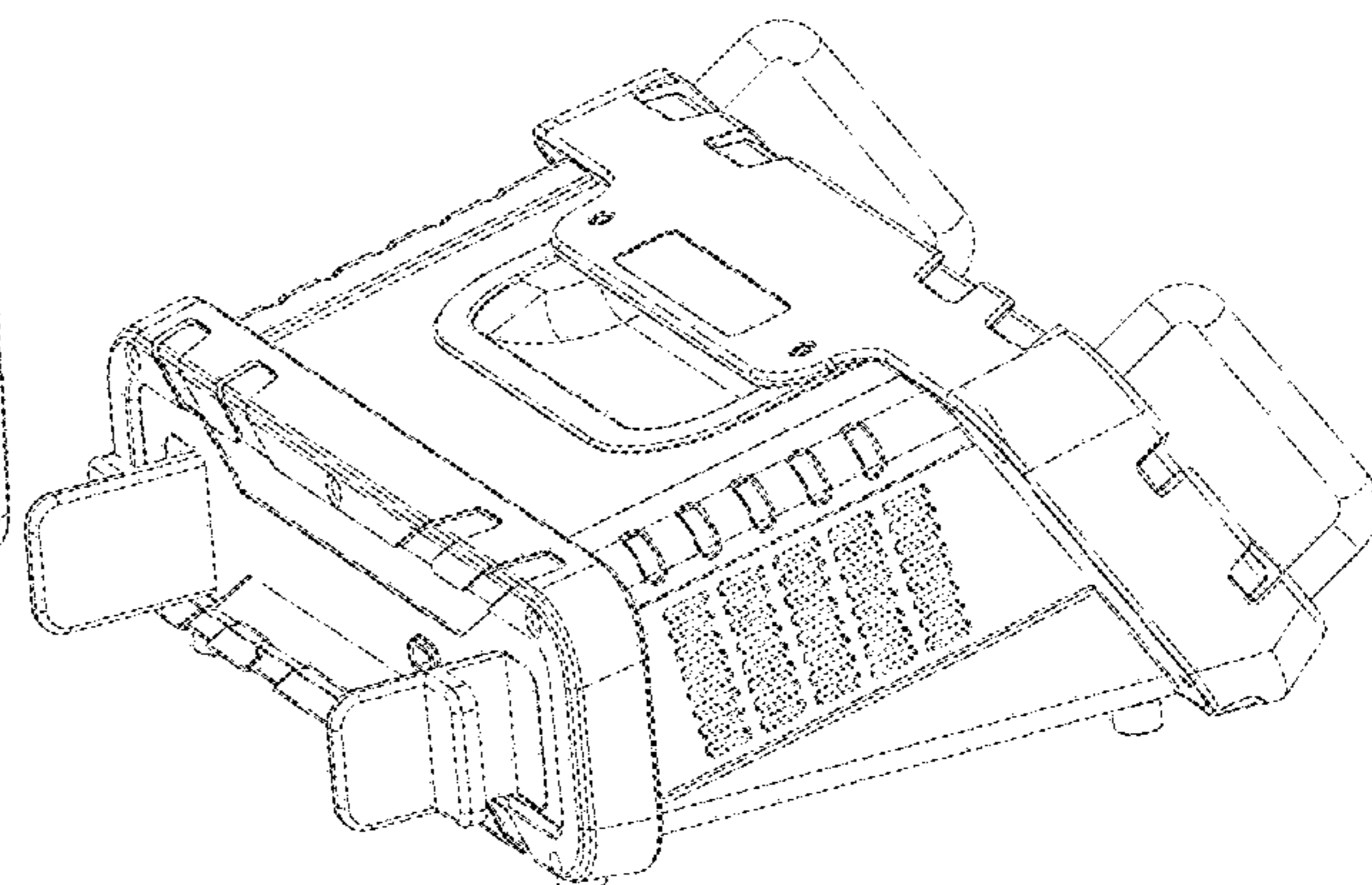
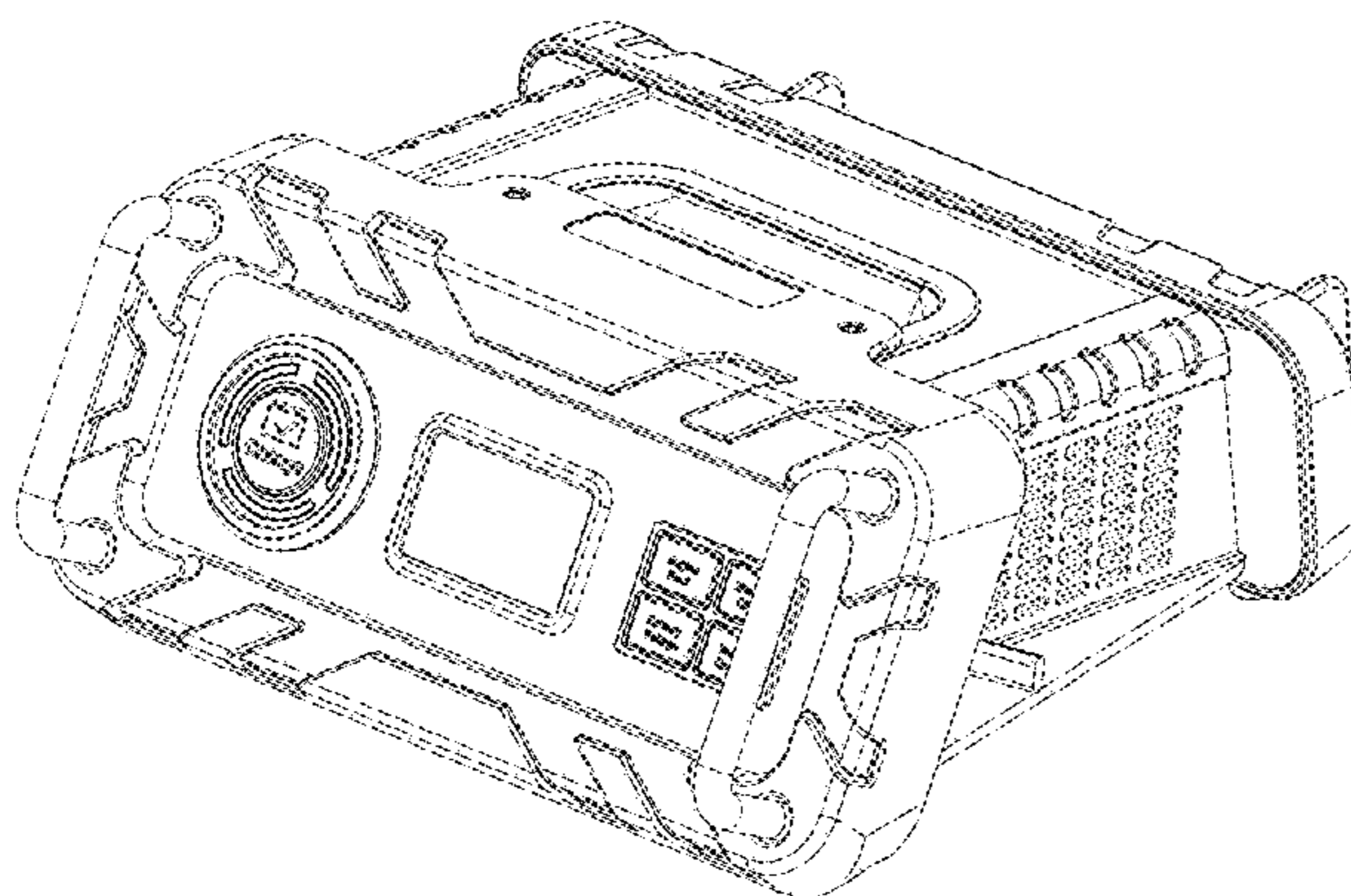
FIG. 5 is a rear view thereof.

FIG. 6 is a top view thereof; and,

FIG. 7 is a bottom view thereof.

The broken lines in the drawings are for the purpose of illustrating portions of the battery charger that form no part of the claimed design.

1 Claim, 7 Drawing Sheets



(56)

References Cited

U.S. PATENT DOCUMENTS

D793,336 S *	8/2017	Inskeep	D13/107
D815,039 S *	4/2018	Wen	D13/110
D823,789 S *	7/2018	Yang	D13/107
D825,457 S *	8/2018	Yang	D13/107
D833,385 S *	11/2018	Inskeep	D13/107
D835,575 S *	12/2018	Wen	D13/107
D837,149 S *	1/2019	Yin	D13/108
D840,334 S *	2/2019	Concari	D13/110
D841,584 S *	2/2019	Lien	D13/110
D848,364 S *	5/2019	Tang	D13/103
D856,924 S *	8/2019	Yang	D13/108
D856,927 S *	8/2019	Eppinger	D13/110

OTHER PUBLICATIONS

Amazon.com: Stanley BC25BS Fully Automatic . . . Date first available of Feb. 19, 2016. Retrieved from the internet at <<https://www.amazon.com/STANLEY-BC25BS-Automatic-Maintainer-Alternator/dp/B01BYFSUJW/>>, Oct. 28, 2019. 1 page. (Year: 2016).*

* cited by examiner

FIG. 1

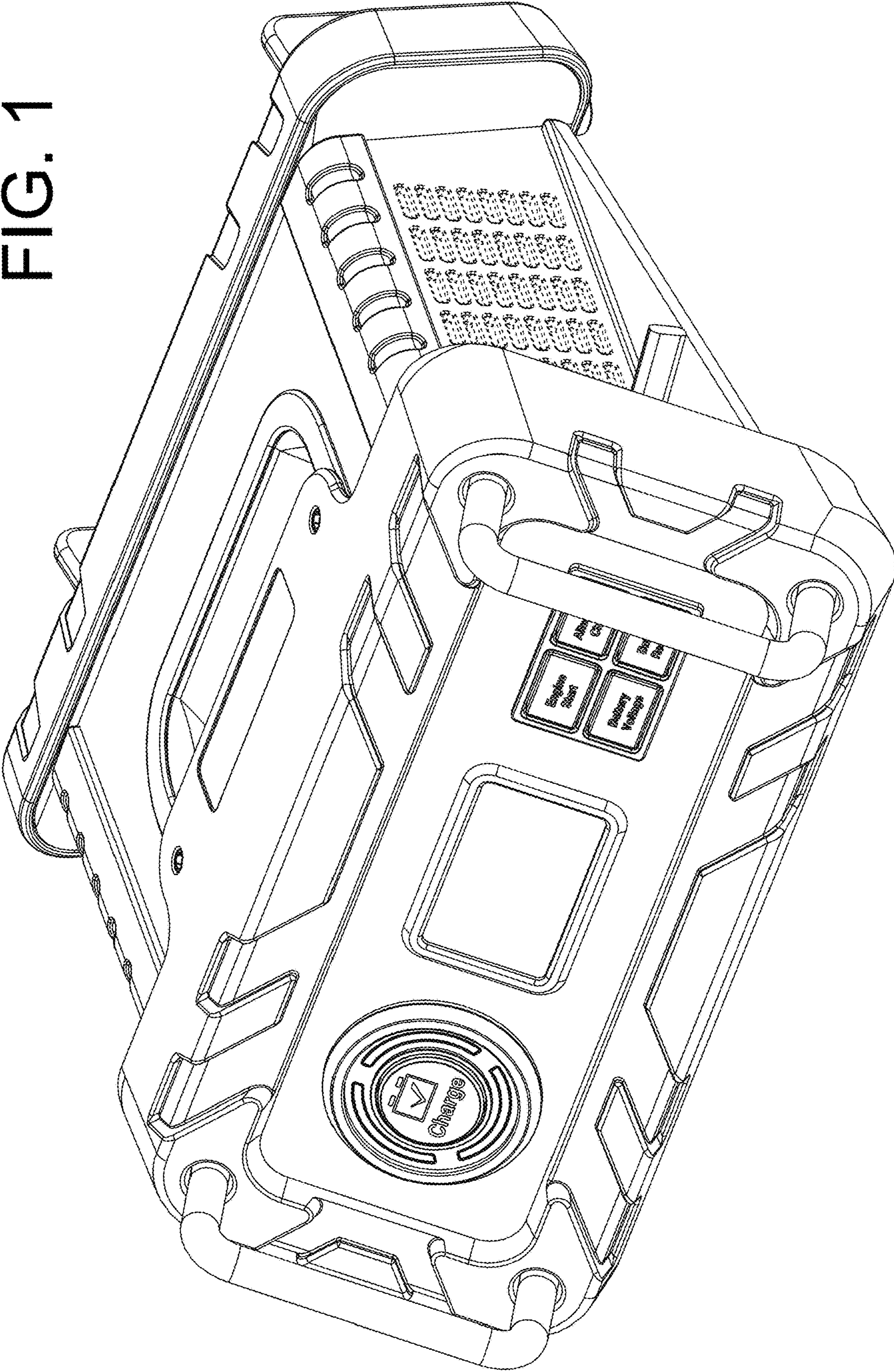


FIG. 2

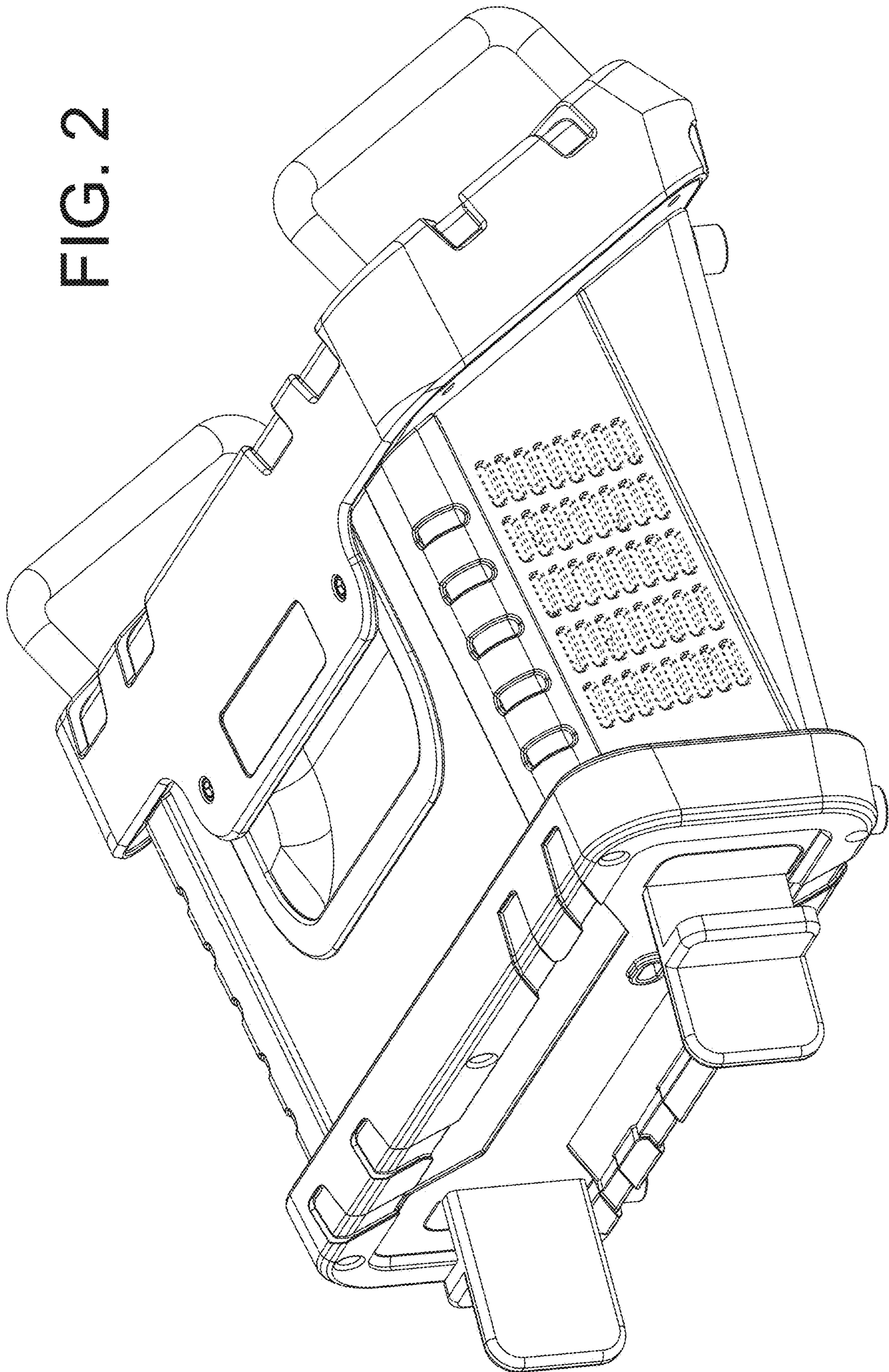


FIG. 3

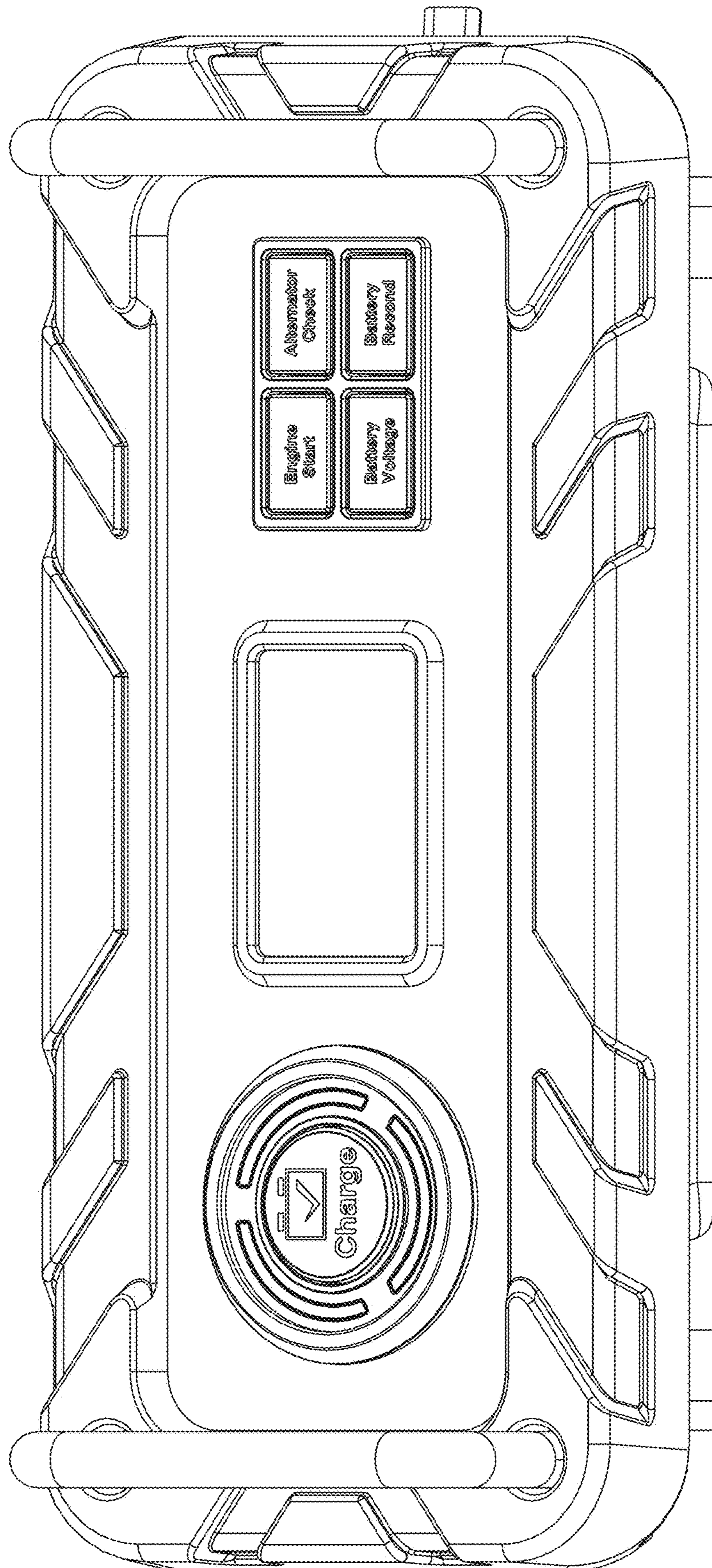


FIG. 4

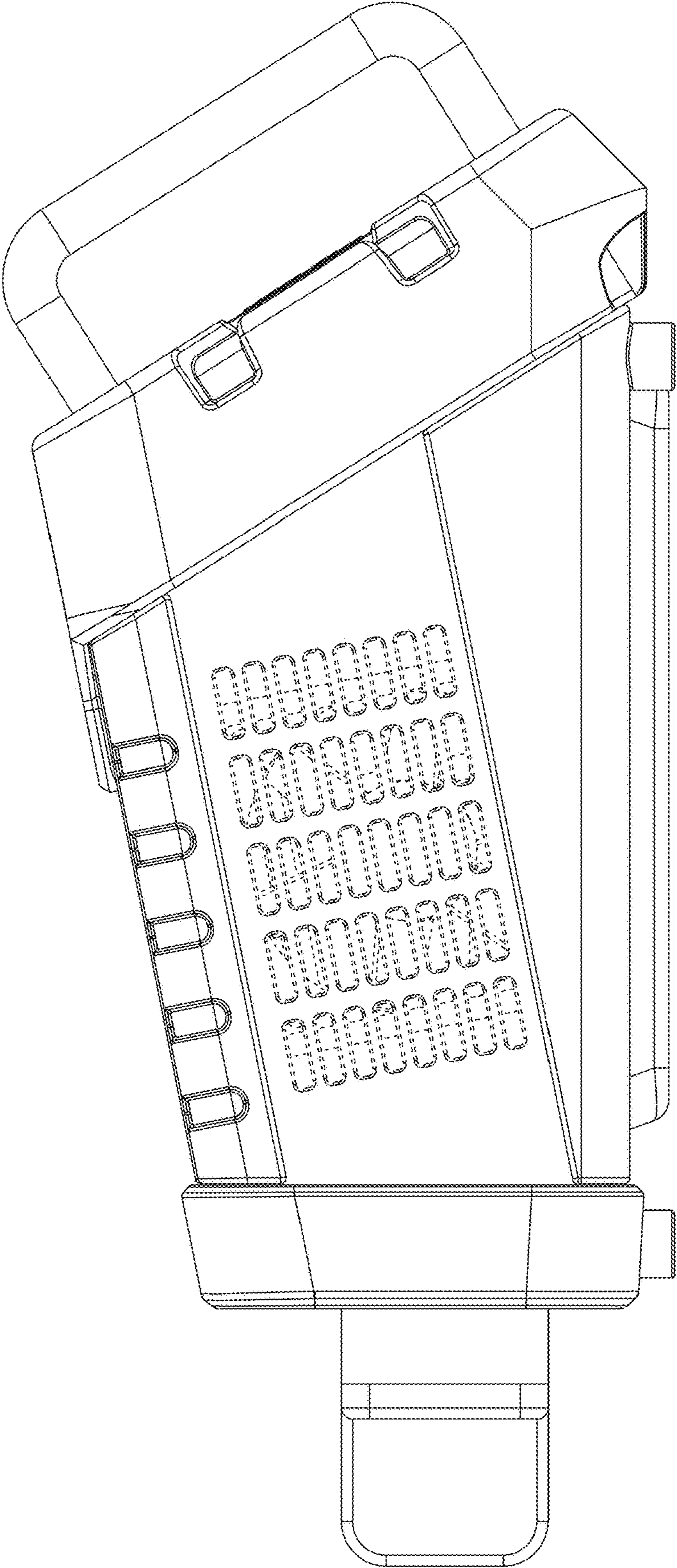


FIG. 5

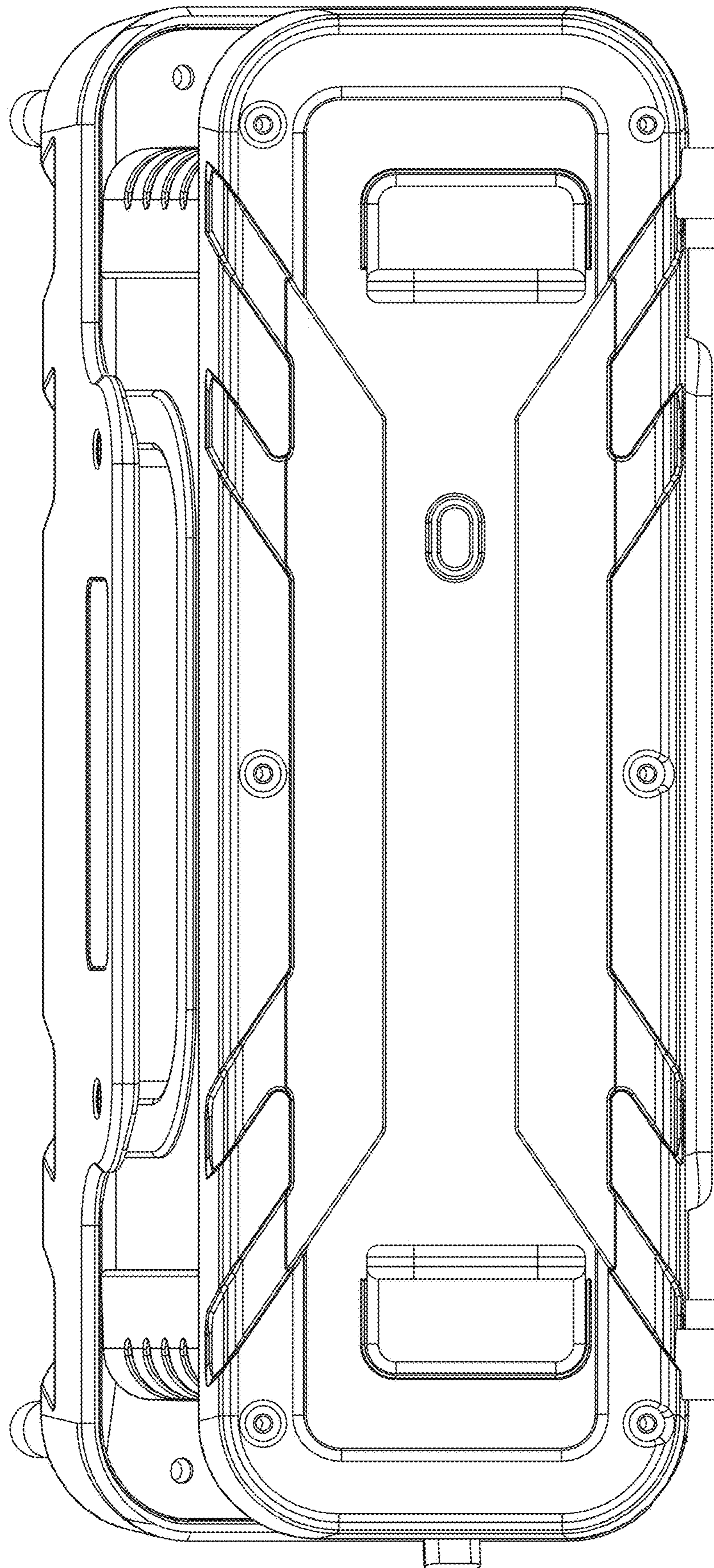


FIG. 6

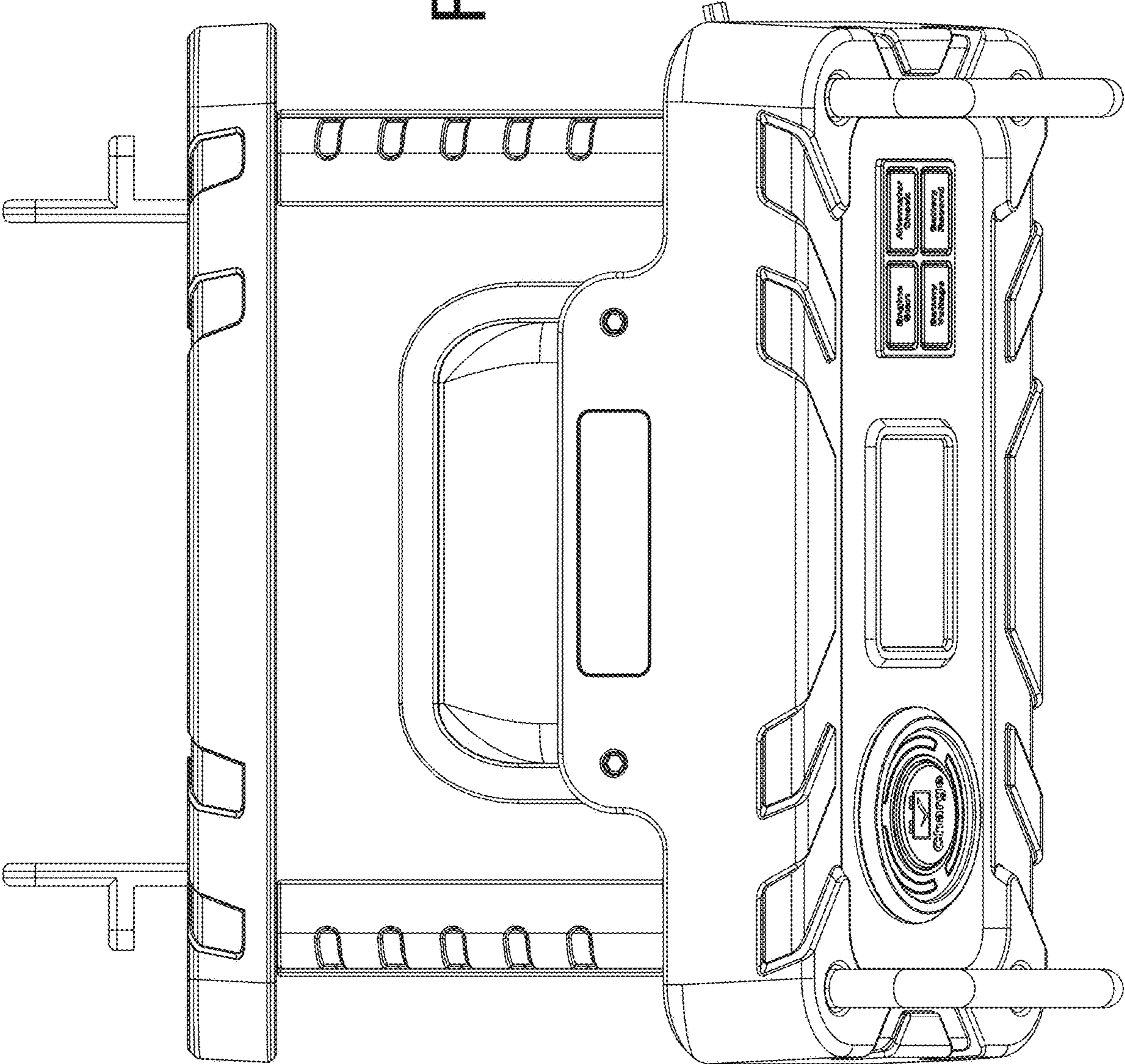


FIG. 7

