



US00D887970S

(12) **United States Design Patent**
Himeno

(10) **Patent No.:** **US D887,970 S**
(45) **Date of Patent:** **** Jun. 23, 2020**

(54) **MOBILE BATTERY**

7/0057; Y02T 10/7005; Y02T 10/705;
Y02T 10/7088; B60L 11/1809; B60L
11/1861

(71) Applicant: **SEIKO EPSON CORPORATION,**
Tokyo (JP)

See application file for complete search history.

(72) Inventor: **Tsuyoshi Himeno,** Matsumoto (JP)

(56) **References Cited**

(73) Assignee: **SEIKO EPSON CORPORATION,**
Tokyo (JP)

U.S. PATENT DOCUMENTS

(**) Term: **15 Years**

(21) Appl. No.: **29/684,791**

D641,694 S *	7/2011	Akahori	D13/107
D835,574 S *	12/2018	Trongone	D13/103
D836,066 S *	12/2018	Lim	D13/103
D841,574 S *	2/2019	Ma	D13/103
D843,938 S *	3/2019	Park	D13/108
D855,018 S *	7/2019	Gan	D13/103
D861,603 S *	10/2019	Zhong	D13/110
D864,862 S *	10/2019	Cheng	D13/108
D871,321 S *	12/2019	Chung	D13/103

(22) Filed: **Mar. 25, 2019**

(30) **Foreign Application Priority Data**

* cited by examiner

Sep. 28, 2018 (JP) 2018-021233

(51) **LOC (12) Cl.** **13-02**

Primary Examiner — Rosemary K Tarcza

(52) **U.S. Cl.**
USPC **D13/103**

Assistant Examiner — Christy M Nemeth

(58) **Field of Classification Search**
USPC D13/103, 107, 108, 110, 133,
D13/137.1–137.4, 138.1–138.2,
D13/139.1–139.8, 146, 147, 151–156,
D13/173, 177, 199; D14/432, 433, 435.1,
D14/250; D23/231, 232; D15/7–9;
D8/350, 353–356

(57) **CLAIM**

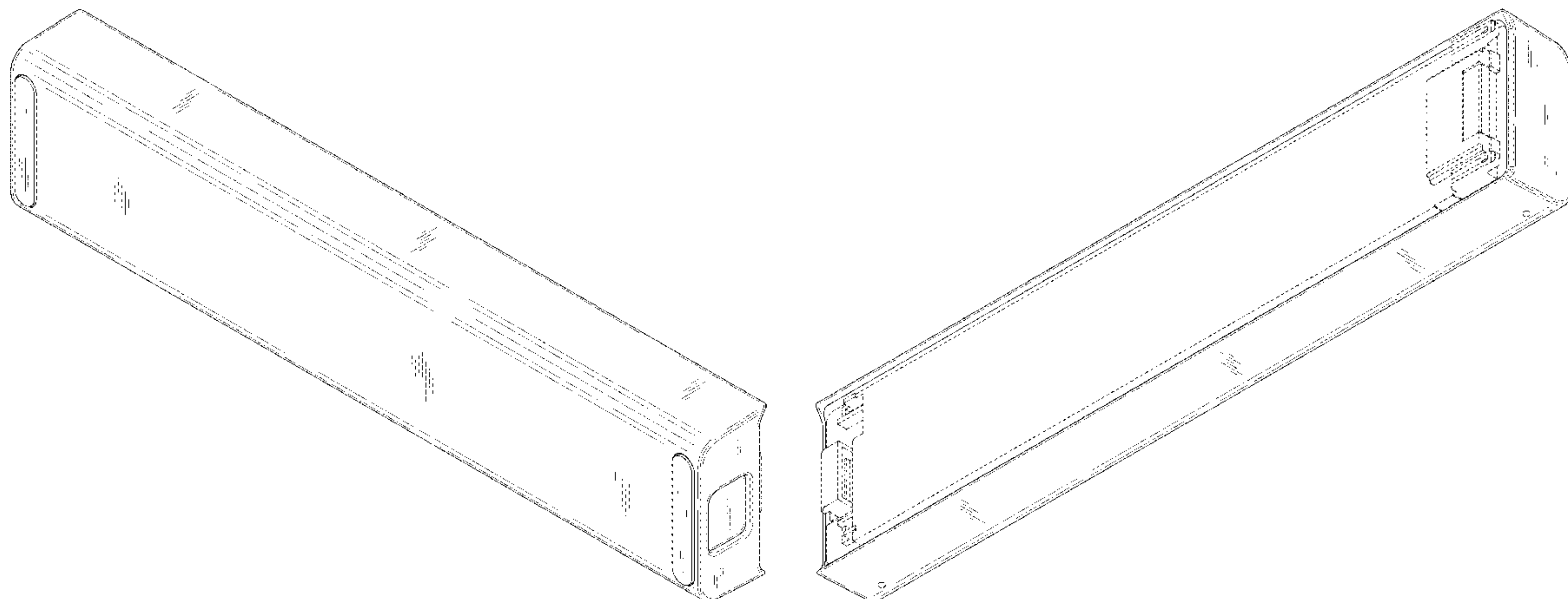
The ornamental design for a mobile battery, as shown and described.

CPC H01R 11/00; H01R 9/00; H01R 13/00;
H01R 13/04; H01R 13/10; H01R
13/6666; H01R 13/6675; H01R 25/00;
H01R 25/006; H01H 2207/00; H01H
2207/022; Y02E 60/12; Y02E 60/122;
Y02E 60/124; Y02E 60/50; H01M 2/02;
H01M 2/022; H01M 2/0202; H01M
2/0207; H01M 2/0212; H01M 2/1061;
H01M 2/1022; H01M 2/1055; H01M
2/1066; H01M 2/105; H01M 2/204; H02J
7/00; H02J 7/0003; H02J 7/0011; H02J
7/0013; H02J 7/0054; H02J 7/0055; H02J

DESCRIPTION

FIG. 1 is a front, top and right side perspective view of a mobile battery showing my new design;
FIG. 2 is a back, bottom and left side perspective view thereof;
FIG. 3 is a front view thereof;
FIG. 4 is a rear view thereof;
FIG. 5 is a top plan view thereof;
FIG. 6 is a bottom plan view thereof;
FIG. 7 is an enlarged right side view thereof; and,
FIG. 8 is an enlarged left side view thereof.
The broken lines illustrate portions of the mobile battery that form no part of the claimed design.

1 Claim, 8 Drawing Sheets



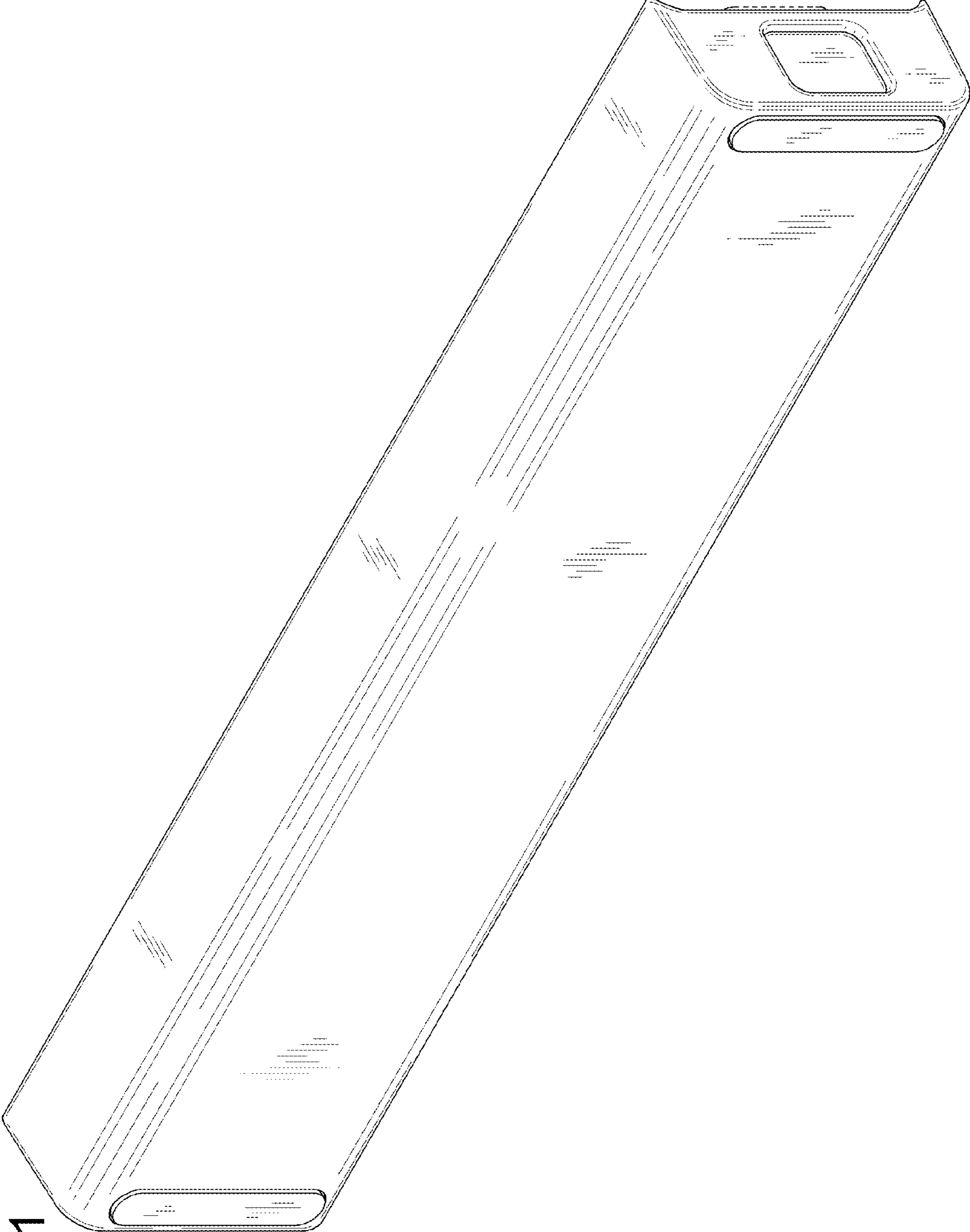


FIG.1

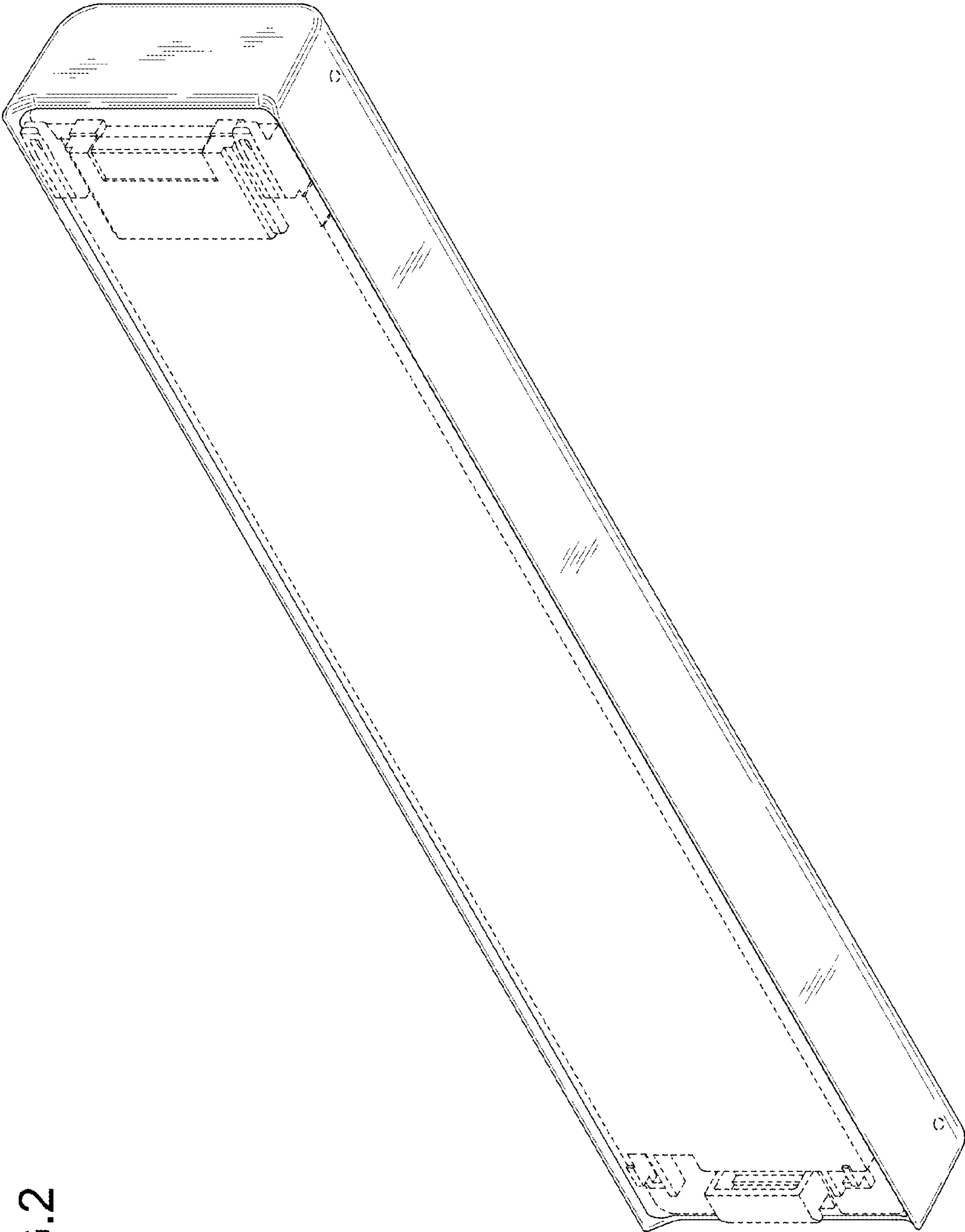


FIG.2

FIG. 3

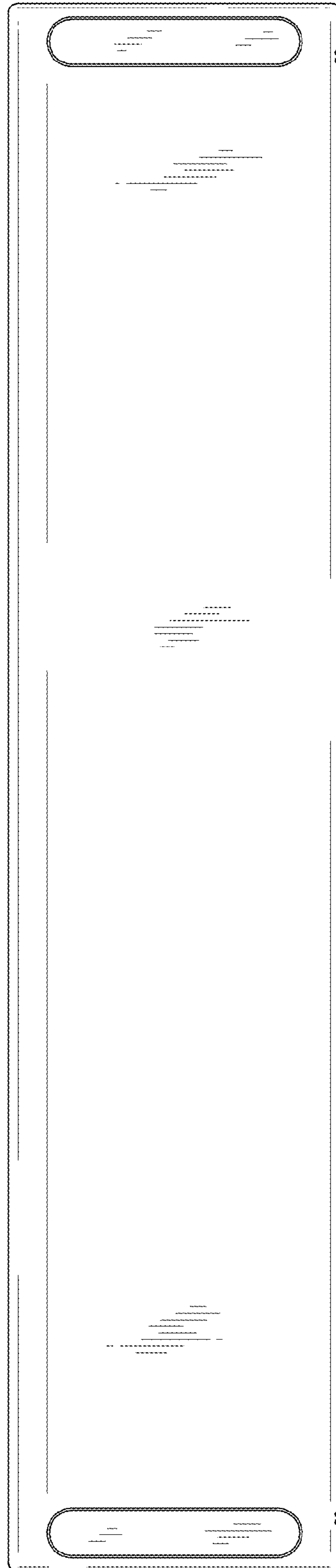


FIG.4

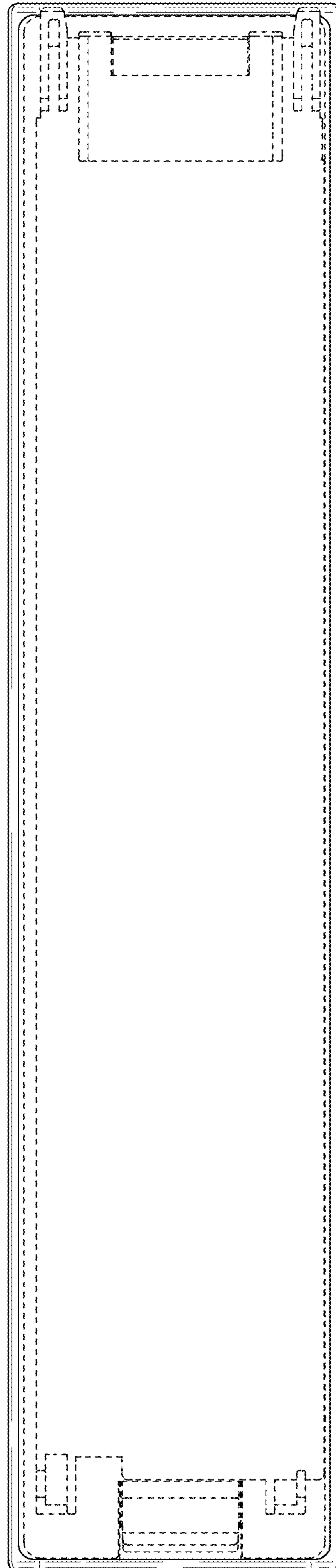


FIG. 5

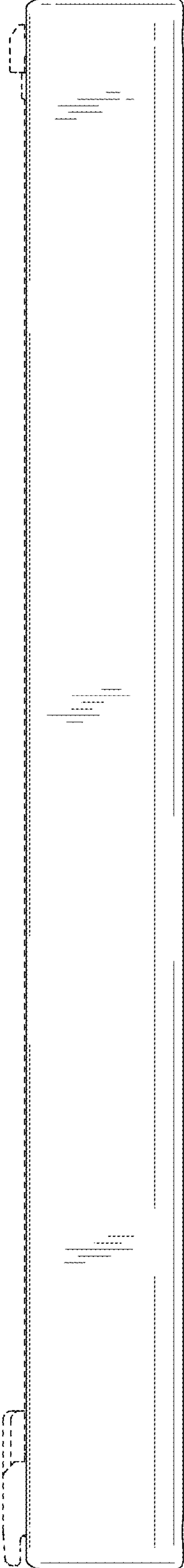
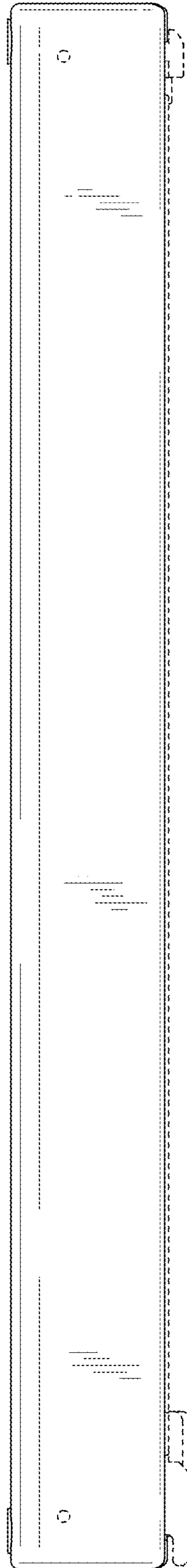


FIG.6



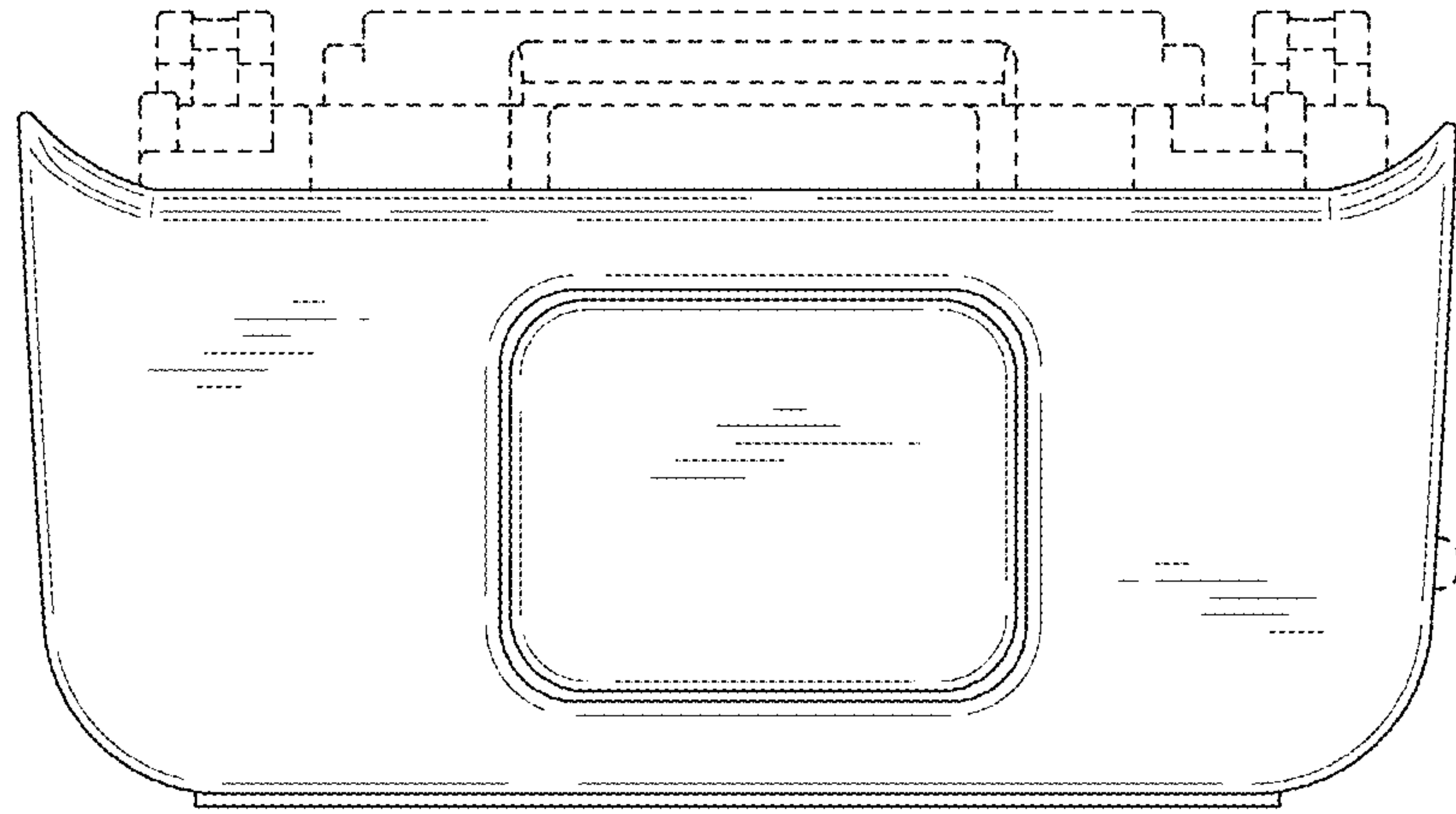


FIG.7

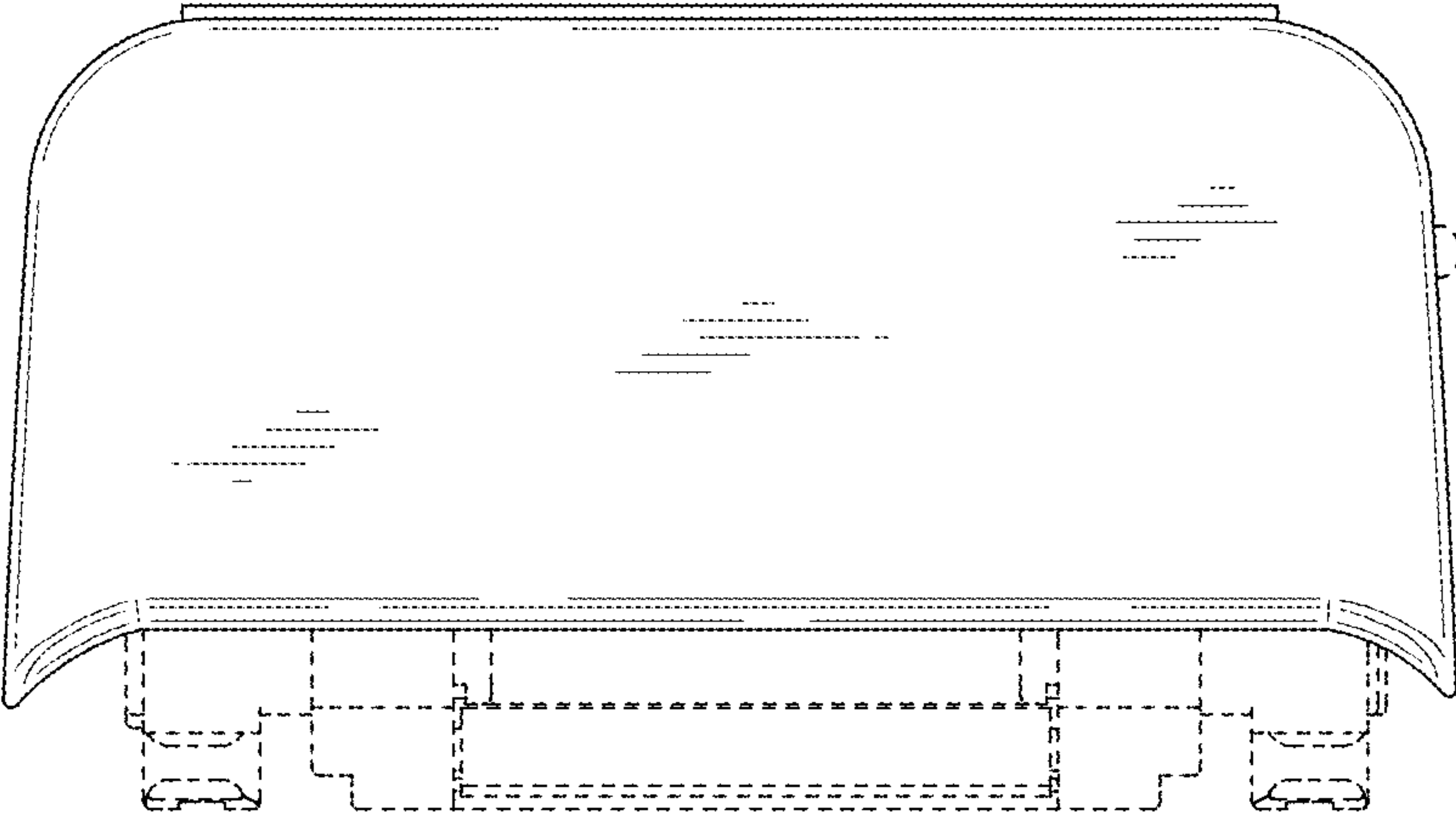


FIG. 8