



US00D887969S

(12) **United States Design Patent**  
**Howell**

(10) **Patent No.:** **US D887,969 S**

(45) **Date of Patent:** **\*\* Jun. 23, 2020**

(54) **BATTERY**

(71) Applicant: **Harbor Freight Tools USA, Inc.**,  
Calabasas, CA (US)

(72) Inventor: **Jon Howell**, Agoura Hills, CA (US)

(73) Assignee: **Harbor Freight Tools USA, Inc.**,  
Calabasas, CA (US)

(\*\*) Term: **15 Years**

(21) Appl. No.: **29/674,554**

(22) Filed: **Dec. 21, 2018**

(51) **LOC (12) Cl.** ..... **13-02**

(52) **U.S. Cl.**  
USPC ..... **D13/103**

(58) **Field of Classification Search**  
USPC ..... D13/102–110, 118–119, 184  
CPC ..... Y02E 60/10; Y02E 60/12; Y02E 60/122;  
Y02E 60/124; Y02E 60/50; H01M 2/02;  
H01M 2/022; H01M 2/0202; H01M  
2/0207; H01M 2/0212; H01M 2/061;  
H01M 2/1022; H01M 2/1055; H01M  
2/1066; H01M 2/105; H01M 2/20; H01M  
2/202; H01M 2/204; H01M 2/206; H01M  
10/44; H01M 10/46; H01M 10/465;  
H01M 10/482; H01M 2200/30; H01M  
2250/30; H01M 2250/40; H02J 7/00;  
H02J 7/0003; H02J 7/0011; H02J 7/0013;  
H02J 7/0054; H02J 7/0055; H02J 7/0057;  
H02J 2007/0062

See application file for complete search history.

(56) **References Cited**

**U.S. PATENT DOCUMENTS**

D643,809 S \* 8/2011 Okuda ..... D13/103  
D684,528 S \* 6/2013 Murray ..... D13/103  
8,741,461 B2 \* 6/2014 Yoneda ..... H01M 2/1055  
429/100  
D748,577 S \* 2/2016 Marino ..... D13/118

D770,377 S \* 11/2016 Kondo ..... D13/103  
D780,688 S \* 3/2017 Elder ..... D13/103  
D797,661 S \* 9/2017 Elder ..... D13/103  
D800,650 S \* 10/2017 Itoh ..... D13/103  
D801,917 S \* 11/2017 Jiang ..... D13/103  
D801,919 S \* 11/2017 Elder ..... D13/103  
D812,555 S \* 3/2018 Schoch ..... D13/103  
D826,149 S \* 8/2018 Cooper ..... D13/103  
D826,150 S \* 8/2018 Cayon ..... D13/103  
D840,926 S \* 2/2019 Howell ..... D13/107

(Continued)

**OTHER PUBLICATIONS**

Warrior 18V Lithium Battery with Charger, Warrior, reviewed on Aug. 6, 2018, retrieved on Feb. 21, 2020, retrieved from the Internet URL: <https://www.harborfreight.com/power-tools/drills-drivers/18v-lithium-battery-with-charger-64256.html>.\*

*Primary Examiner* — Jennifer Rivard

*Assistant Examiner* — Alison M Ofstun

(74) *Attorney, Agent, or Firm* — McAndrews, Held & Malloy, Ltd.

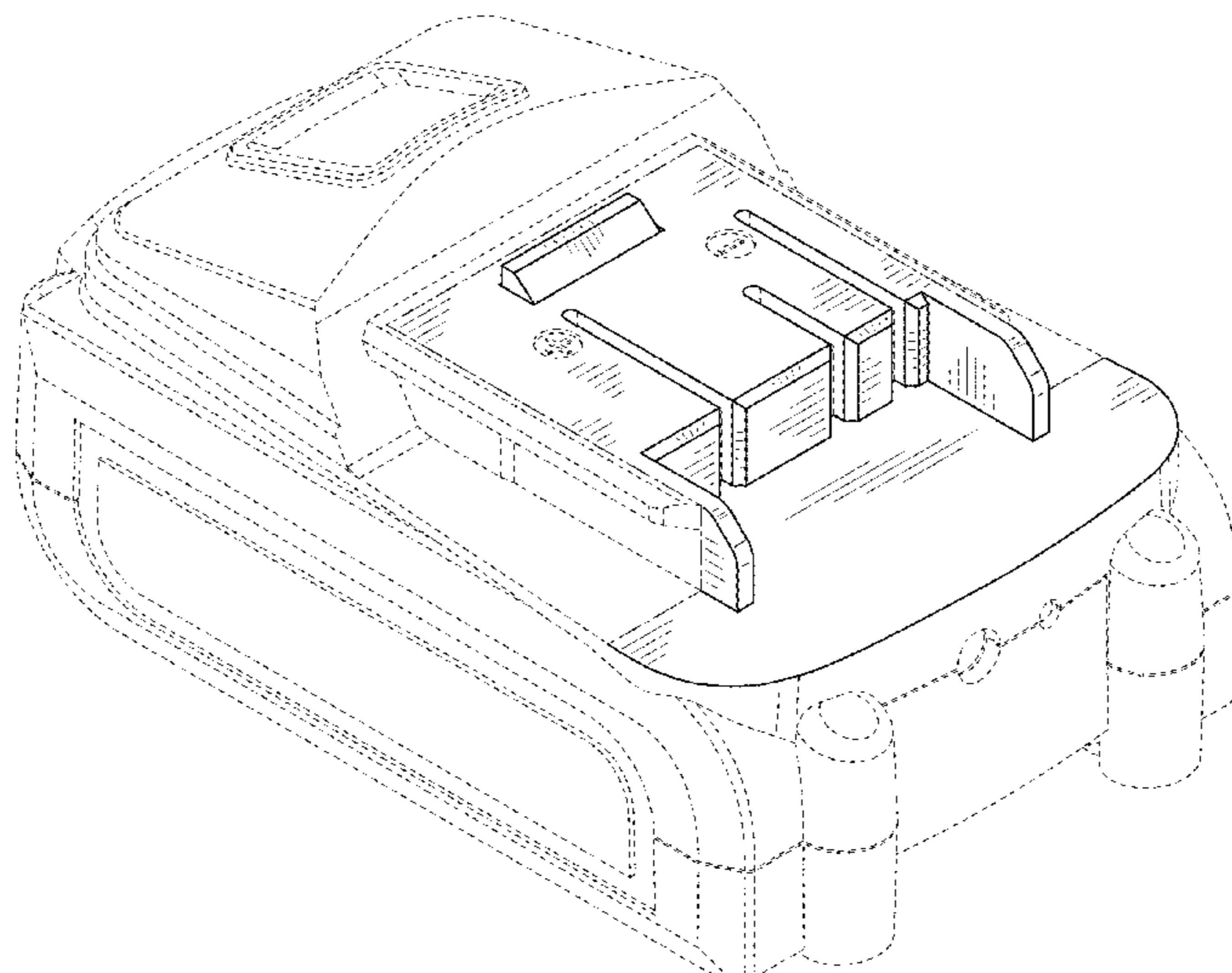
(57) **CLAIM**

The ornamental design for a battery, as shown and described.

**DESCRIPTION**

FIG. 1 is a front perspective view of a battery showing my new design;  
FIG. 2 is a front elevation view thereof;  
FIG. 3 is a rear elevation view thereof;  
FIG. 4 is a right side elevation view thereof;  
FIG. 5 is a left side elevation view thereof;  
FIG. 6 is a top plan view thereof;  
FIG. 7 is a bottom plan view thereof; and,  
FIG. 8 is a rear perspective view thereof.  
The dashed broken lines in the figures represent portions of the battery that form no part of the claimed design.  
The dot-dash broken lines in the figures represent a boundary line that forms no part of the claimed design.

**1 Claim, 6 Drawing Sheets**



(56)

**References Cited**

U.S. PATENT DOCUMENTS

D849,681 S \* 5/2019 Howell ..... D13/103  
D856,921 S \* 8/2019 Lee ..... D13/103

\* cited by examiner

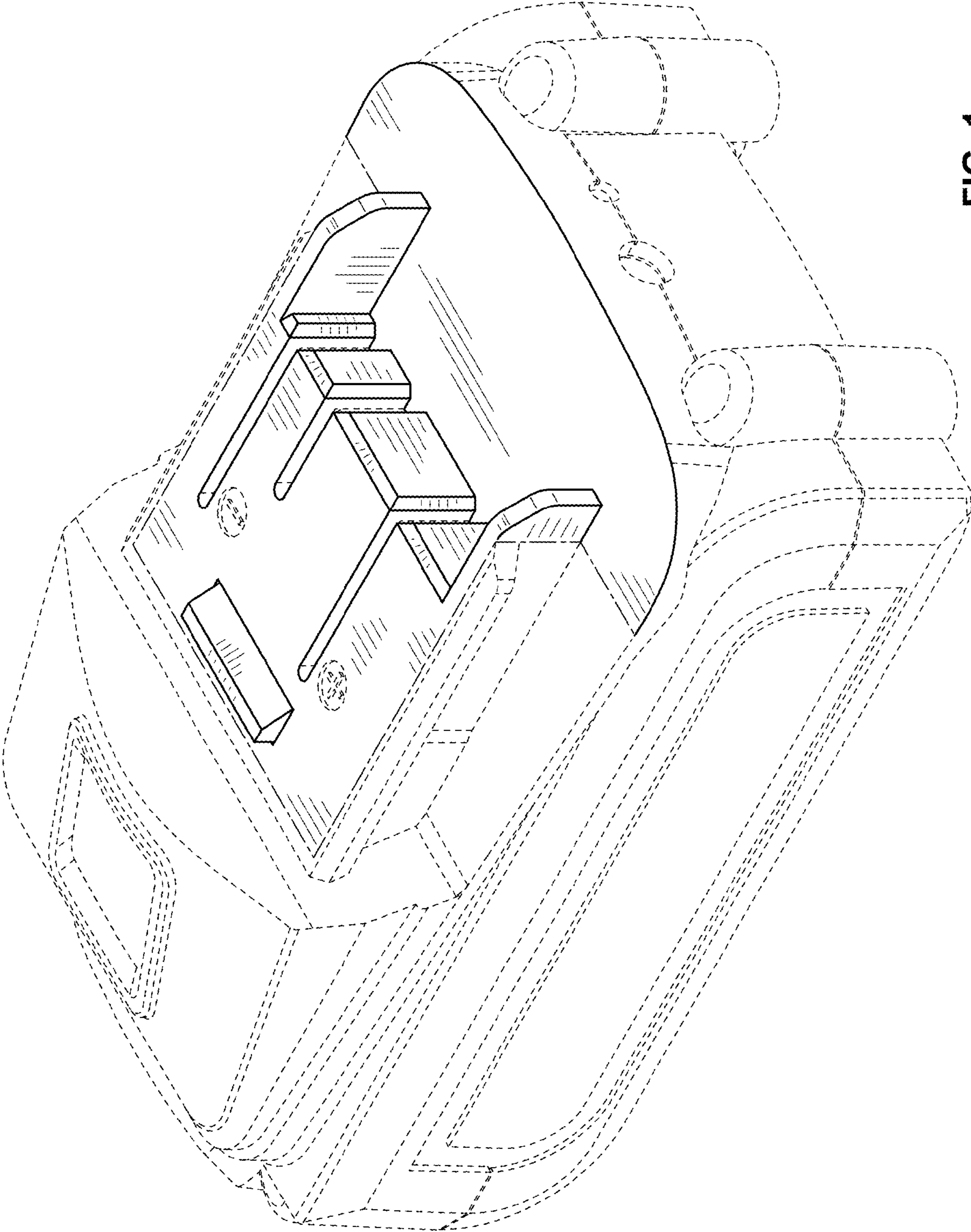


FIG. 1

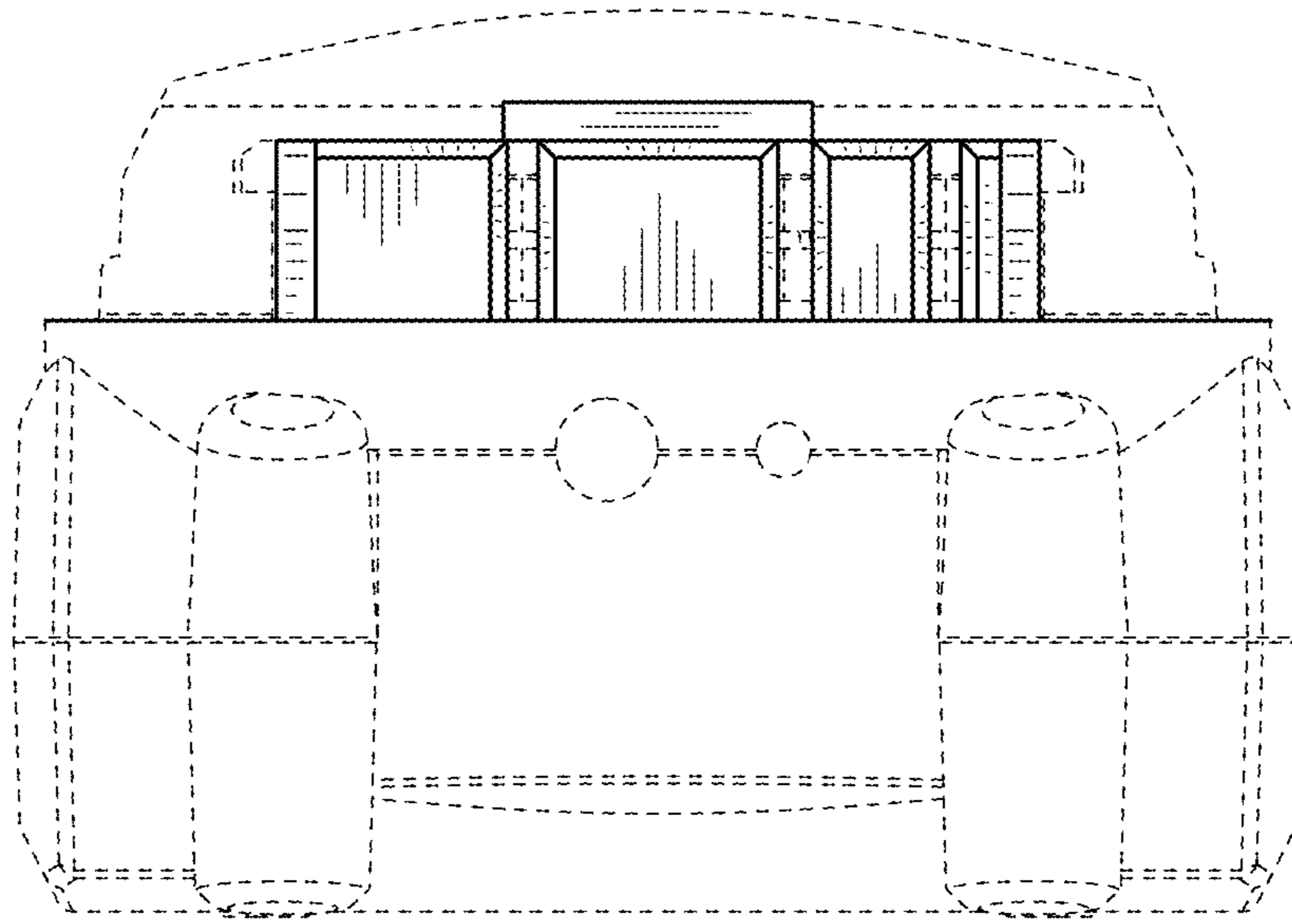


FIG. 2

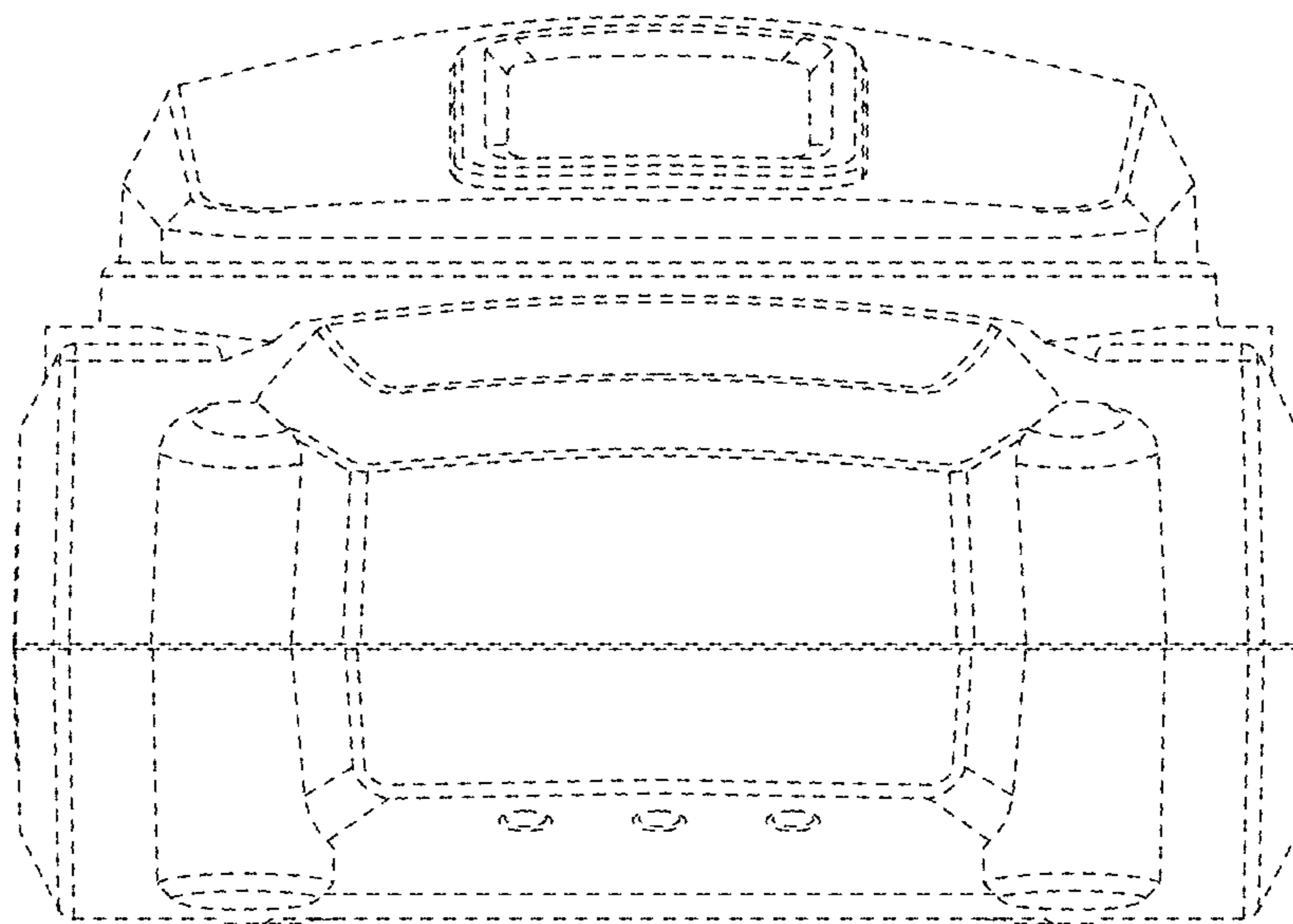


FIG. 3

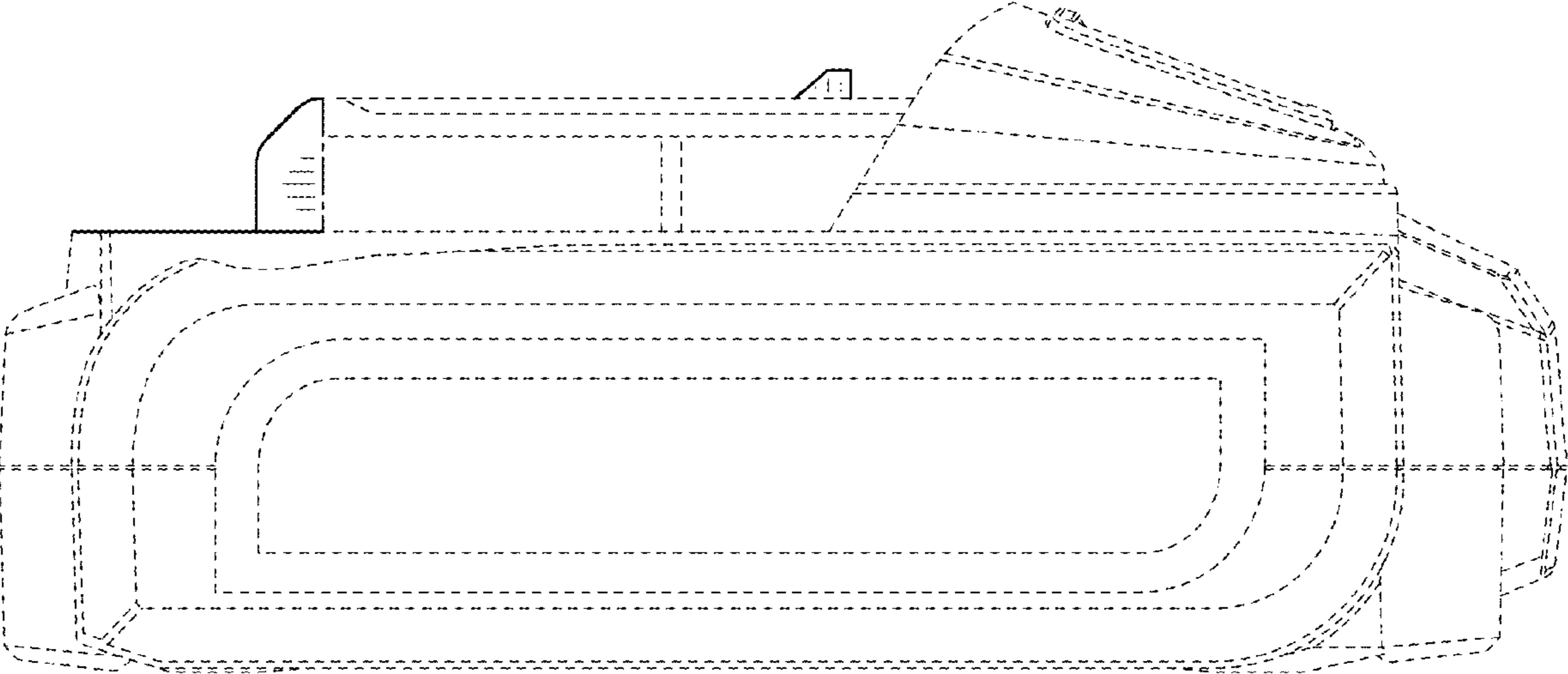


FIG. 4

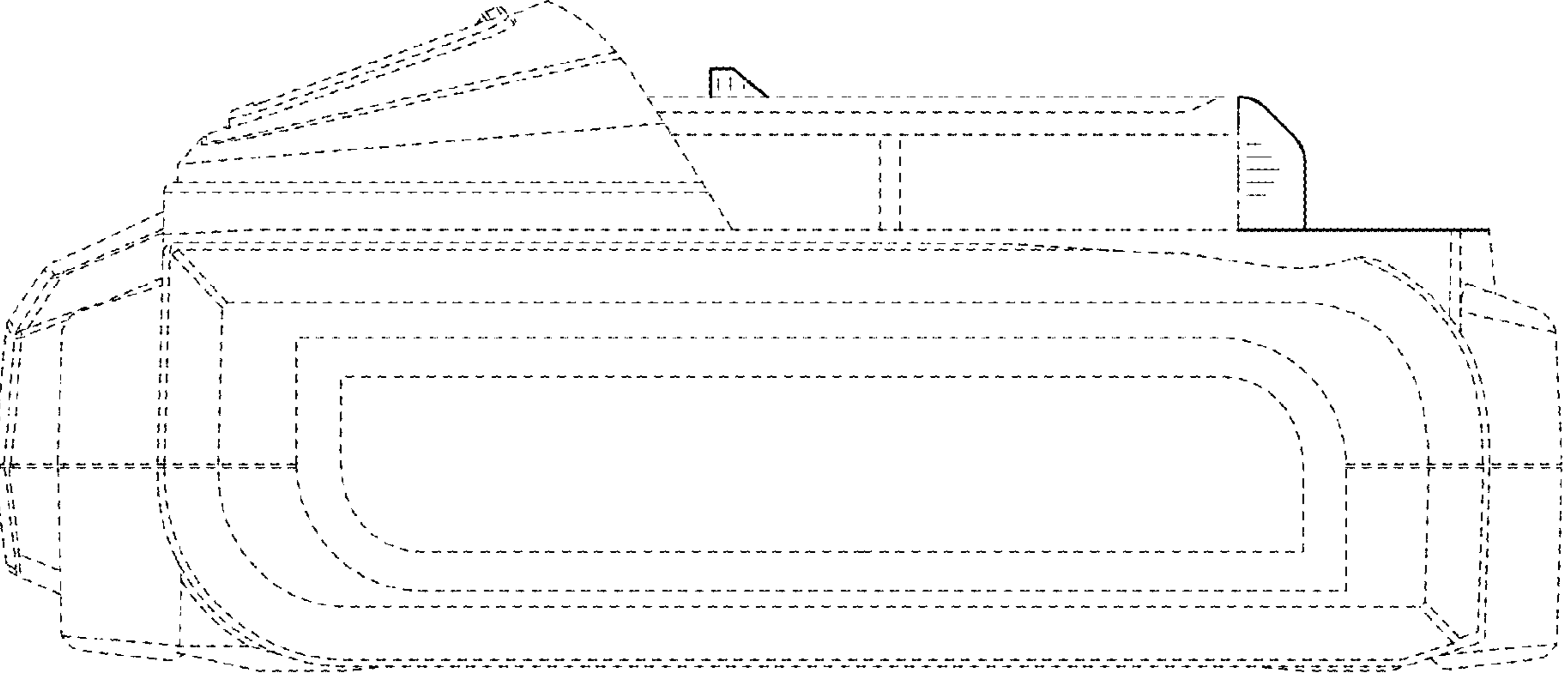


FIG. 5

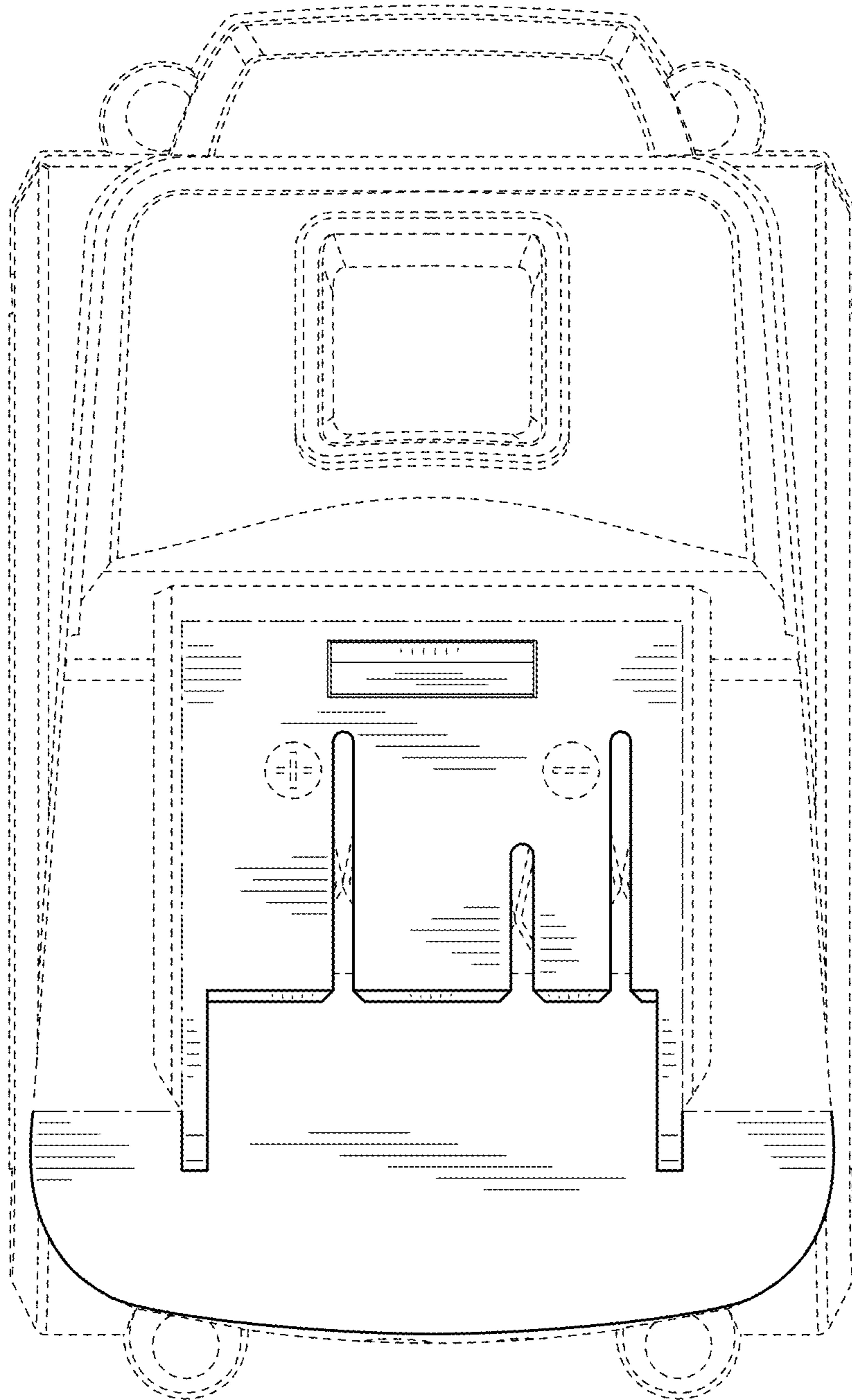


FIG. 6

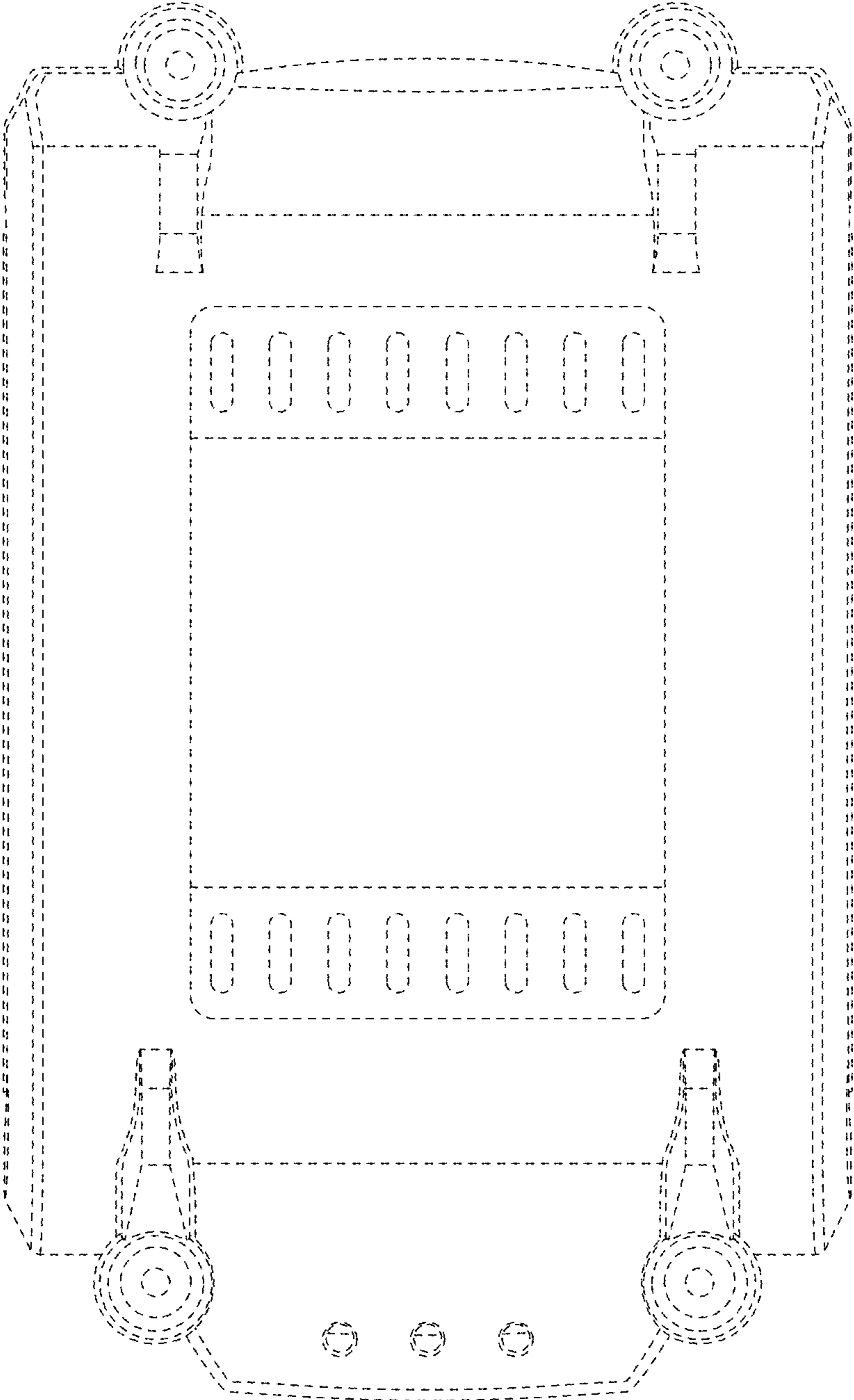


FIG. 7

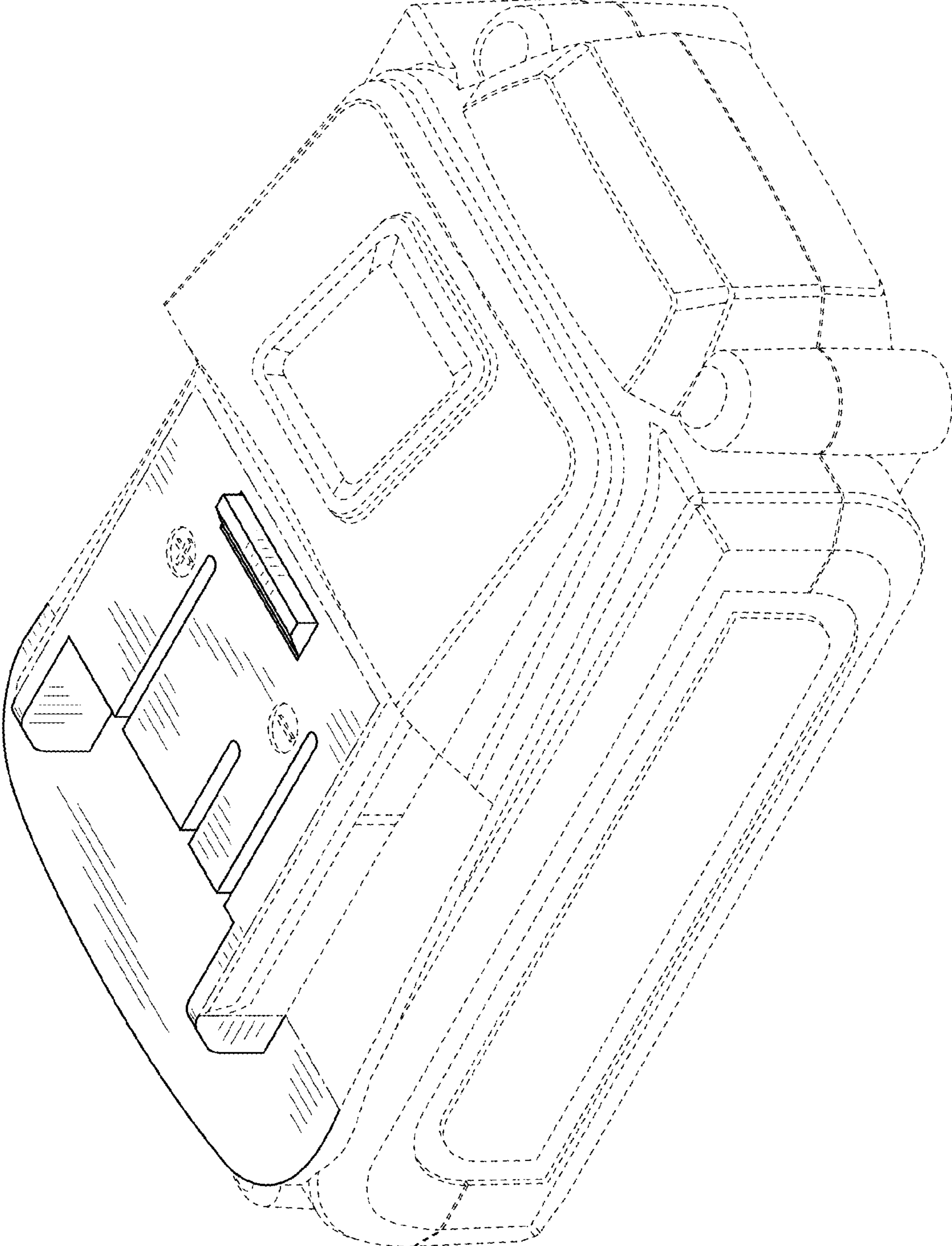


FIG. 8