



US00D887968S

(12) **United States Design Patent**
Ebisawa et al.

(10) **Patent No.:** **US D887,968 S**

(45) **Date of Patent:** **** Jun. 23, 2020**

(54) **BATTERY MODULE**

(71) Applicants: **Kabushiki Kaisha Toshiba**, Minato-ku, Tokyo (JP); **Toshiba Infrastructure Systems & Solutions Corporation**, Kawasaki-shi, Kanagawa (JP)

(72) Inventors: **Masafumi Ebisawa**, Tokyo (JP); **Kenji Yazawa**, Tokyo (JP); **Kenji Shigehisa**, Tokyo (JP); **Makoto Nagasato**, Tokyo (JP); **Ryousuke Kasaya**, Sagami-hara (JP)

(73) Assignees: **Kabushiki Kaisha Toshiba**, Minato-ku, Tokyo (JP); **Toshiba Infrastructure Systems & Solutions Corporation**, Kawasaki-shi, Kanagawa (JP)

(**) Term: **15 Years**

(21) Appl. No.: **29/616,805**

(22) Filed: **Sep. 8, 2017**

(30) **Foreign Application Priority Data**

Mar. 10, 2017 (JP) 2017-004911
Mar. 10, 2017 (JP) 2017-004912

(51) **LOC (12) Cl.** **13-02**

(52) **U.S. Cl.**
USPC **D13/103**

(58) **Field of Classification Search**
USPC D13/102-106, 110, 118-119, 184
CPC Y02E 60/12; Y02E 60/122; Y02E 60/124; Y02E 60/50; H01M 2/02; H01M 2/022; H01M 2/0202; H01M 2/0207; H01M 2/0212; H01M 2/1061; H01M 2/1022; H01M 2/1055; H01M 2/1066; H01M 2/105; H01M 2/204; H01M 2/1016; H01M 2200/00; H01M 10/4257; H01M 10/0436; H01M 10/48; H01M 10/42
See application file for complete search history.

(56) **References Cited**

U.S. PATENT DOCUMENTS

D303,652	S	*	9/1989	Lopez-Doriga Lopez-Doriga	D13/106
D355,887	S	*	2/1995	Rodeffer	D13/110
D458,900	S		6/2002	Carter et al.	
D562,765	S	*	2/2008	Tsuzuki	D13/110
D570,281	S	*	6/2008	Blogg	D13/101
D584,684	S	*	1/2009	Aglassinger	D13/110
D589,443	S	*	3/2009	Aglassinger	D13/110
D604,696	S	*	11/2009	Tasai	D13/104

(Continued)

FOREIGN PATENT DOCUMENTS

CN	303197617	5/2015
CN	303870340	9/2016

(Continued)

Primary Examiner — Nathaniel D. Buckner

(74) *Attorney, Agent, or Firm* — Banner & Witcoff, Ltd.

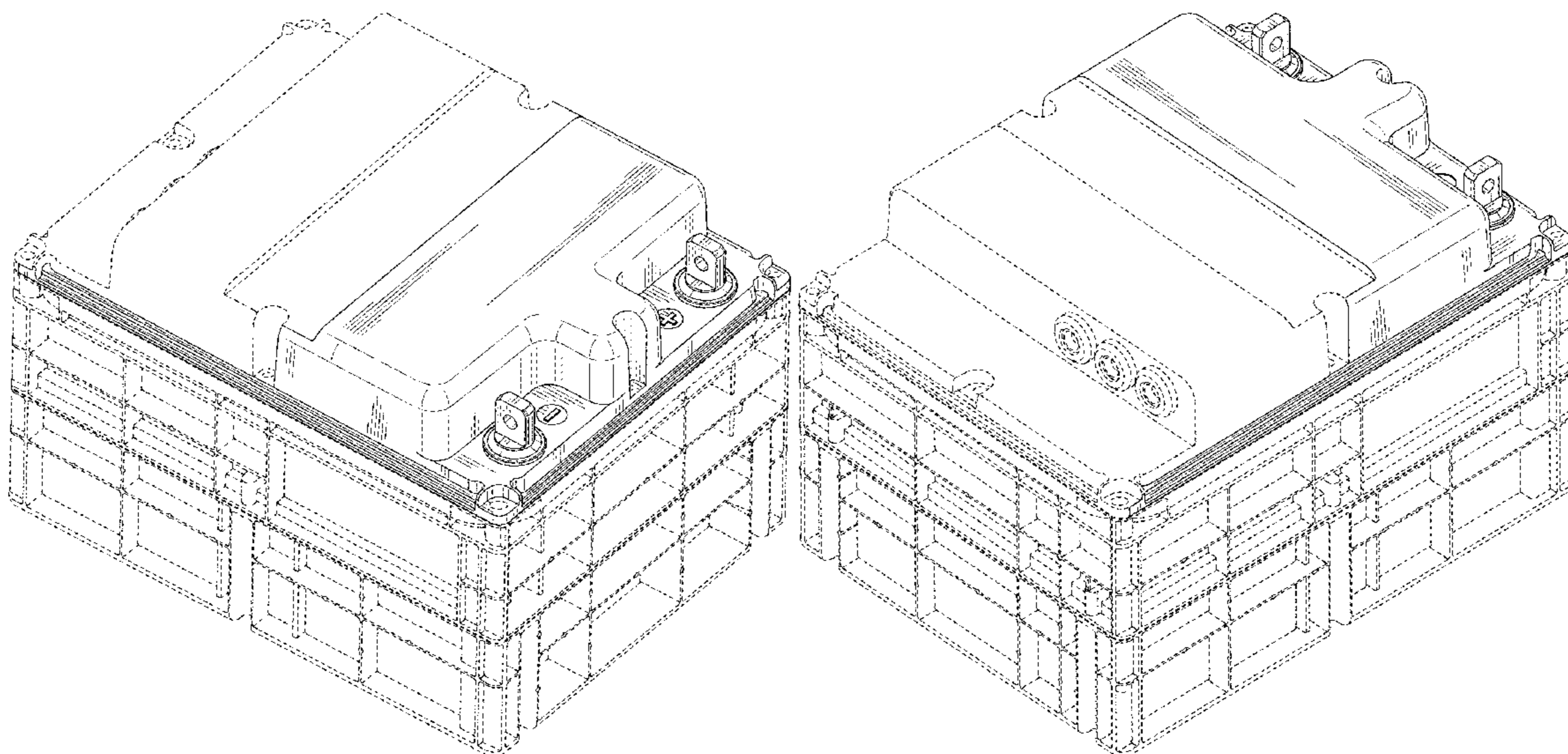
(57) **CLAIM**

The ornamental design for a battery module, as shown and described.

DESCRIPTION

FIG. 1 is a front, top and left side perspective view of a battery module, showing our new design;
FIG. 2 is a rear, top and left side perspective view thereof;
FIG. 3 is a front view thereof;
FIG. 4 is a rear view thereof;
FIG. 5 is a top view thereof;
FIG. 6 is a bottom view thereof;
FIG. 7 is a right side view thereof; and,
FIG. 8 is a left side view thereof.
The broken lines in the figures depict portions of the article which form no part of the claimed design.

1 Claim, 7 Drawing Sheets



(56)

References Cited

U.S. PATENT DOCUMENTS

8,922,157 B2 * 12/2014 Simonazzi H01M 2/341
320/106
9,153,806 B2 * 10/2015 Yoshioka H01M 2/1077
D760,160 S * 6/2016 Dekeuster D13/103
D772,816 S * 11/2016 Dekeuster D13/119
9,647,256 B2 * 5/2017 Abe H01M 4/525
D795,181 S * 8/2017 Hahn D13/104
D810,682 S * 2/2018 Dai D13/119
9,941,086 B2 * 4/2018 Onoda H01H 85/205
D817,870 S * 5/2018 Yamamoto D13/104
D830,965 S * 10/2018 Varatharajah D13/103
10,181,620 B2 * 1/2019 Yoshioka H01M 2/1077
10,218,027 B2 * 2/2019 Gohl H01M 2/0434
2011/0076521 A1 * 3/2011 Shimizu H01M 2/1061
429/7
2011/0293973 A1 * 12/2011 Kim H01M 2/04
429/53
2015/0111083 A1 * 4/2015 Kim H01M 2/206
429/120

FOREIGN PATENT DOCUMENTS

JP D1004510 3/1998
JP D1341998 10/2008
JP D1477219 8/2013
KR 30-0757519 8/2014

* cited by examiner

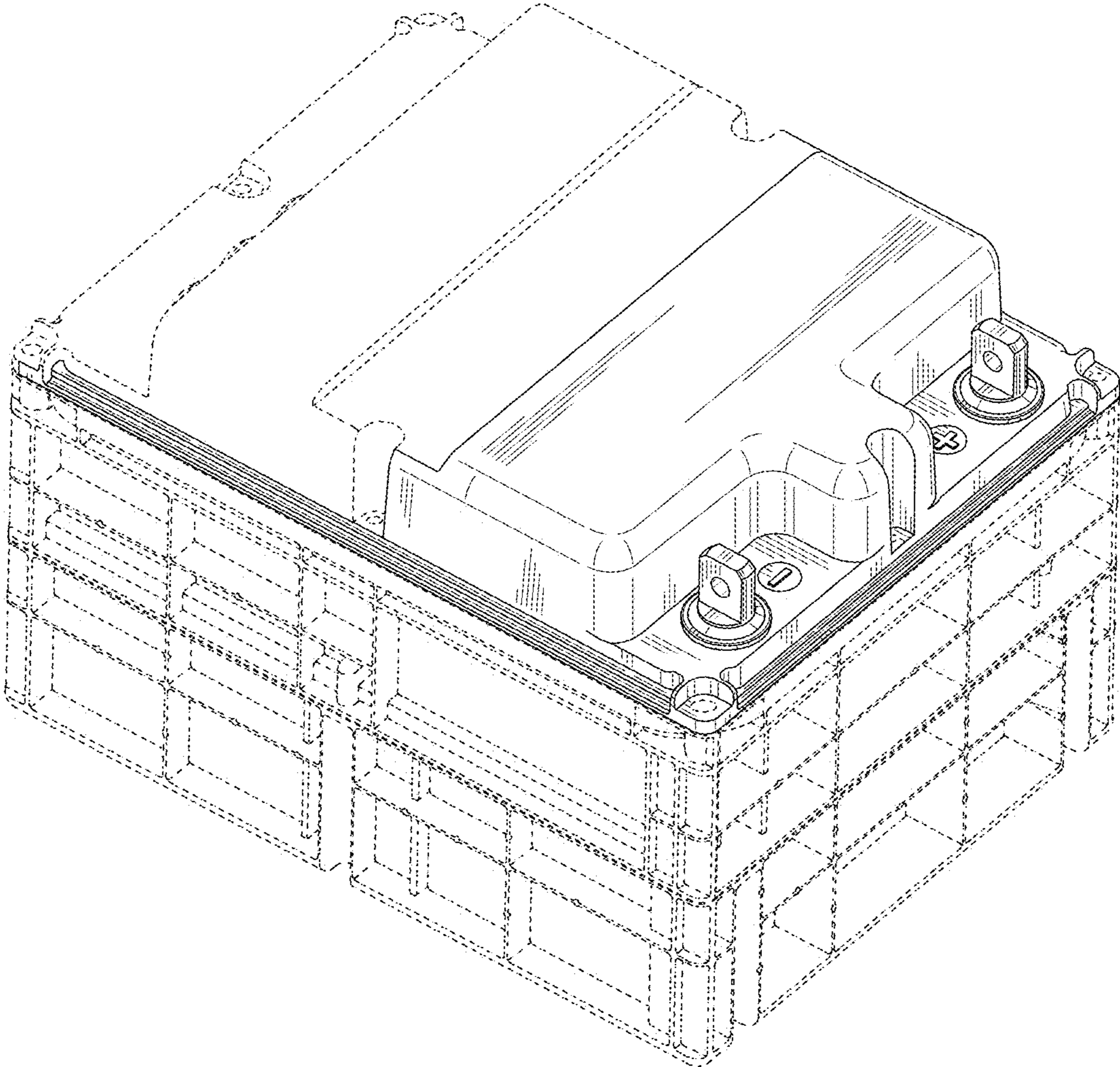


FIG. 1

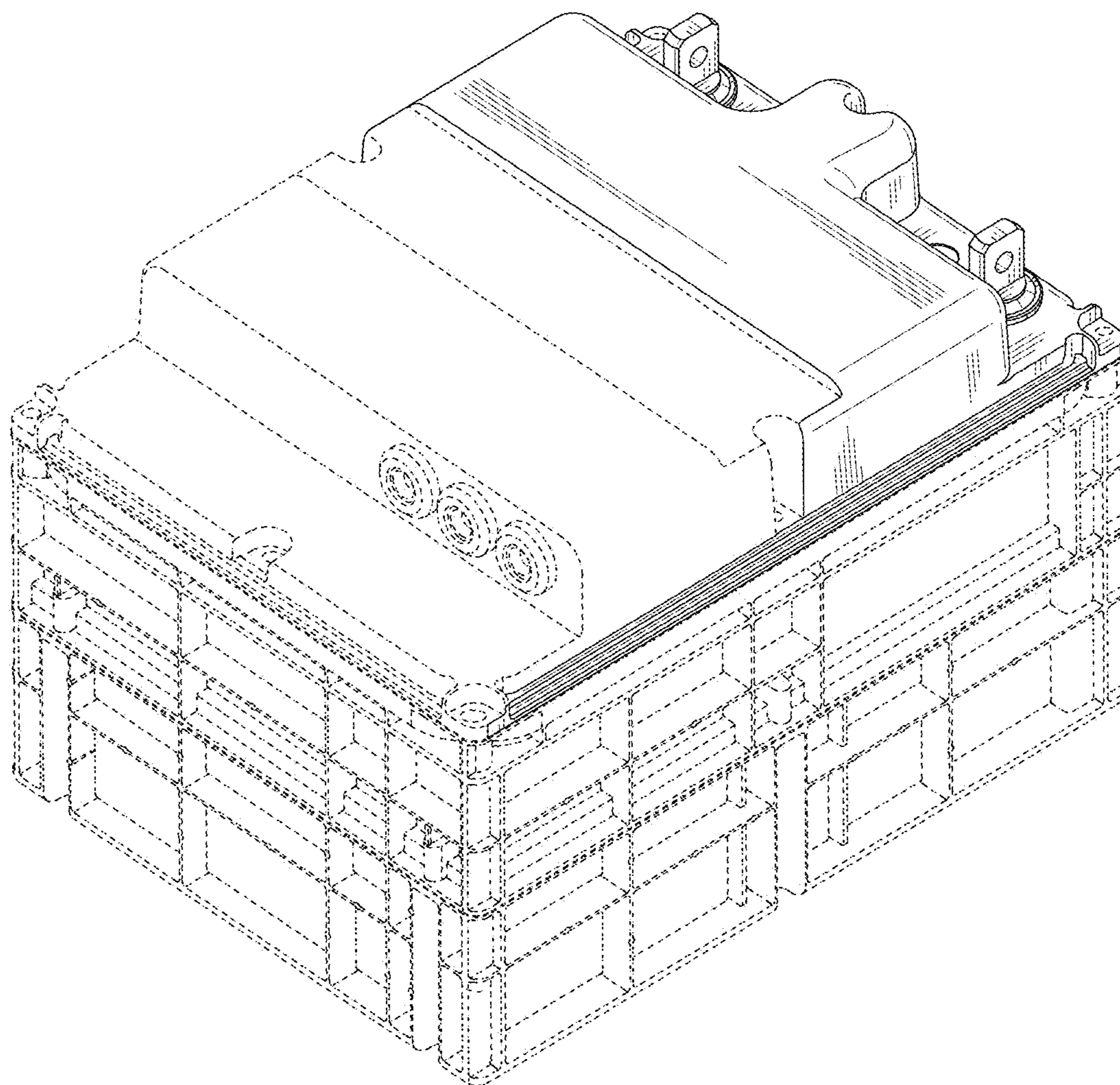


FIG. 2

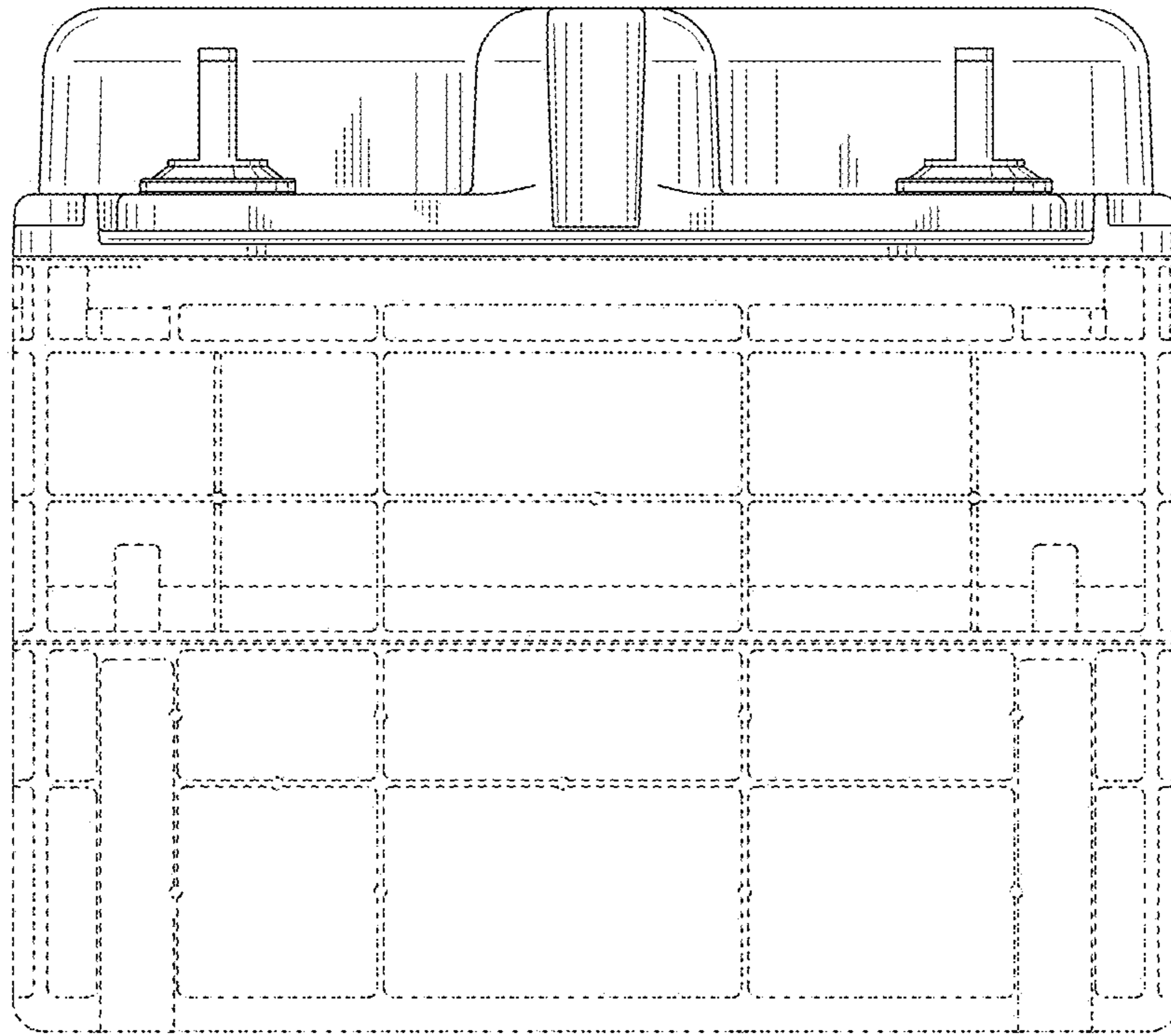


FIG. 3

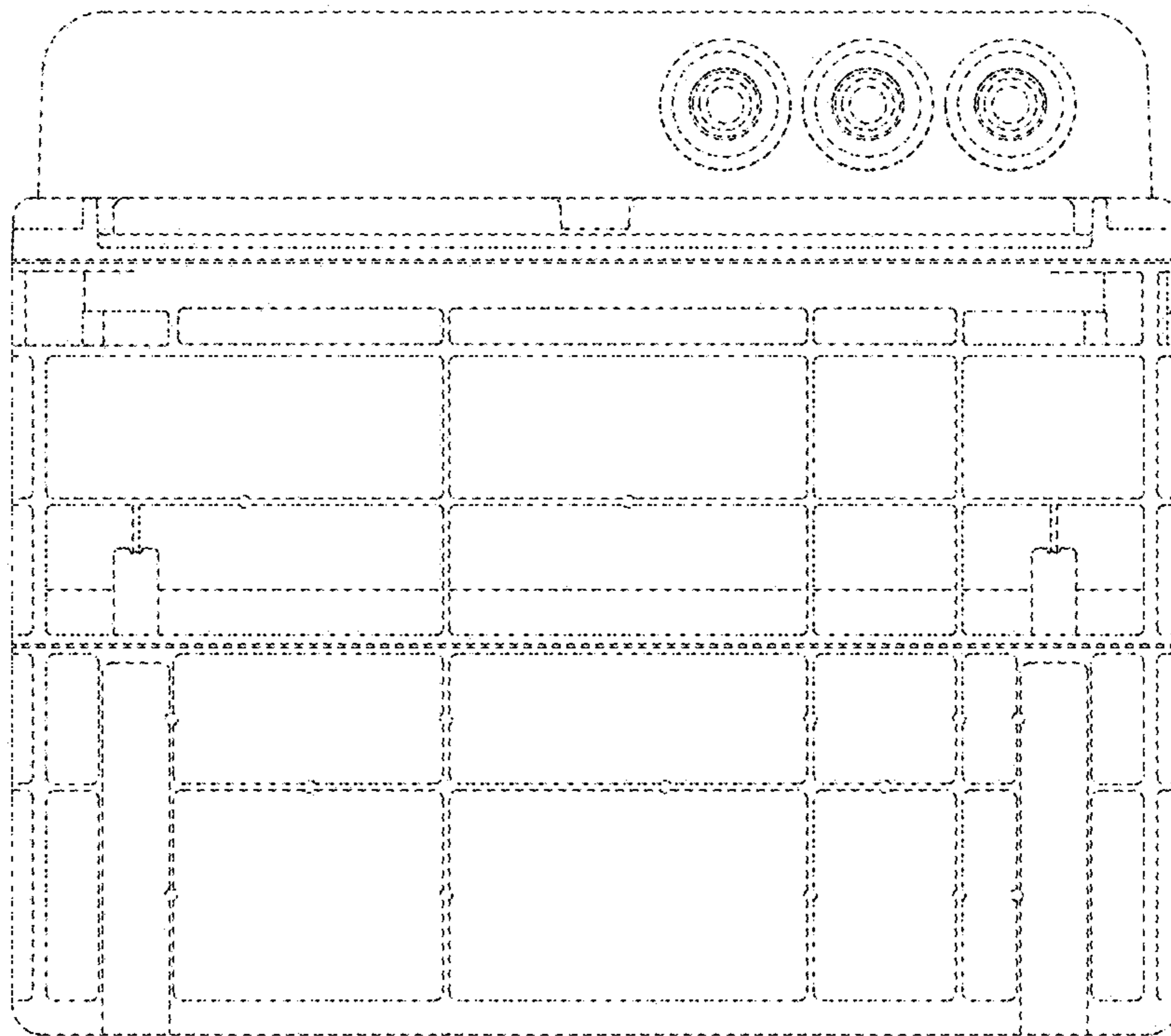


FIG. 4

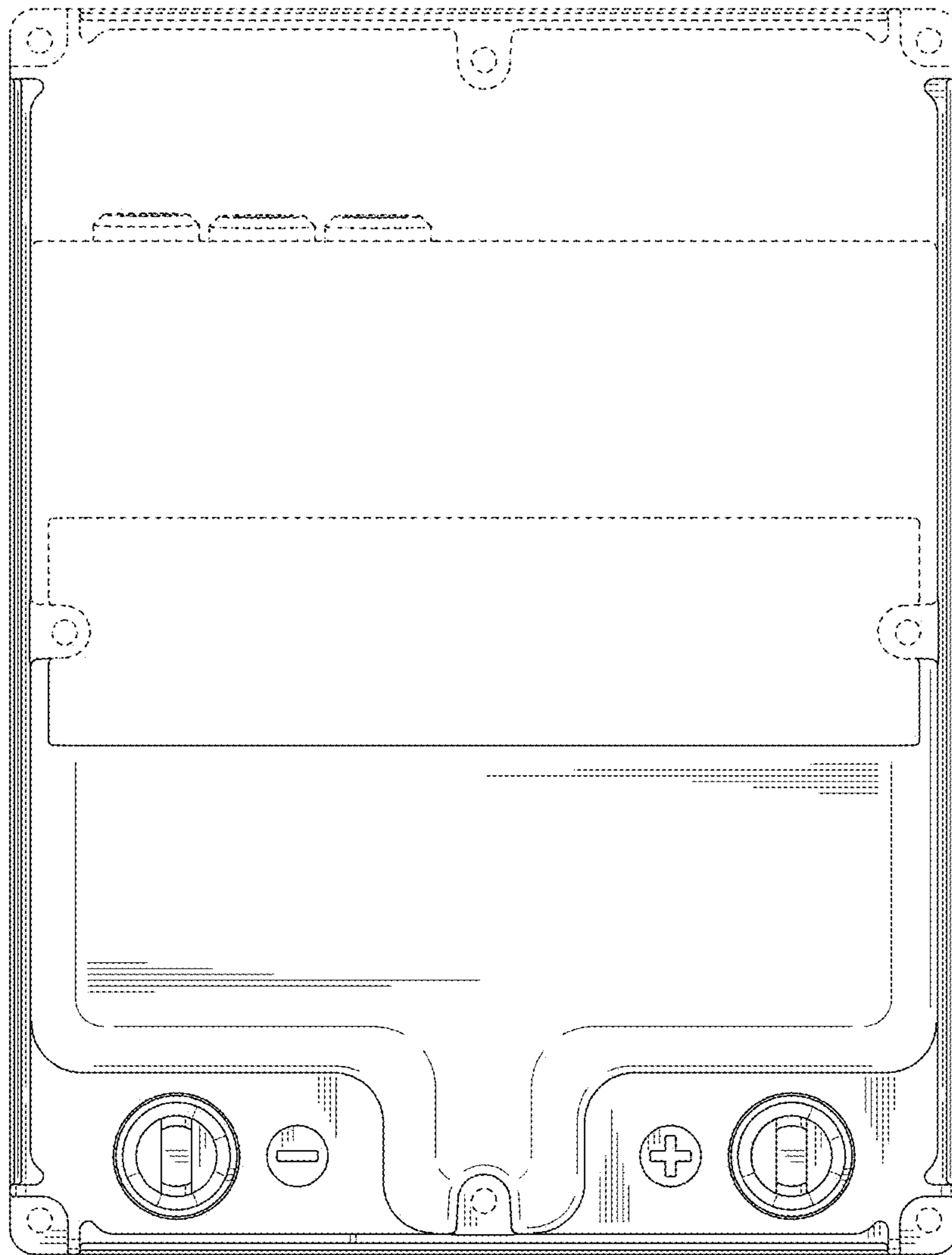


FIG. 5

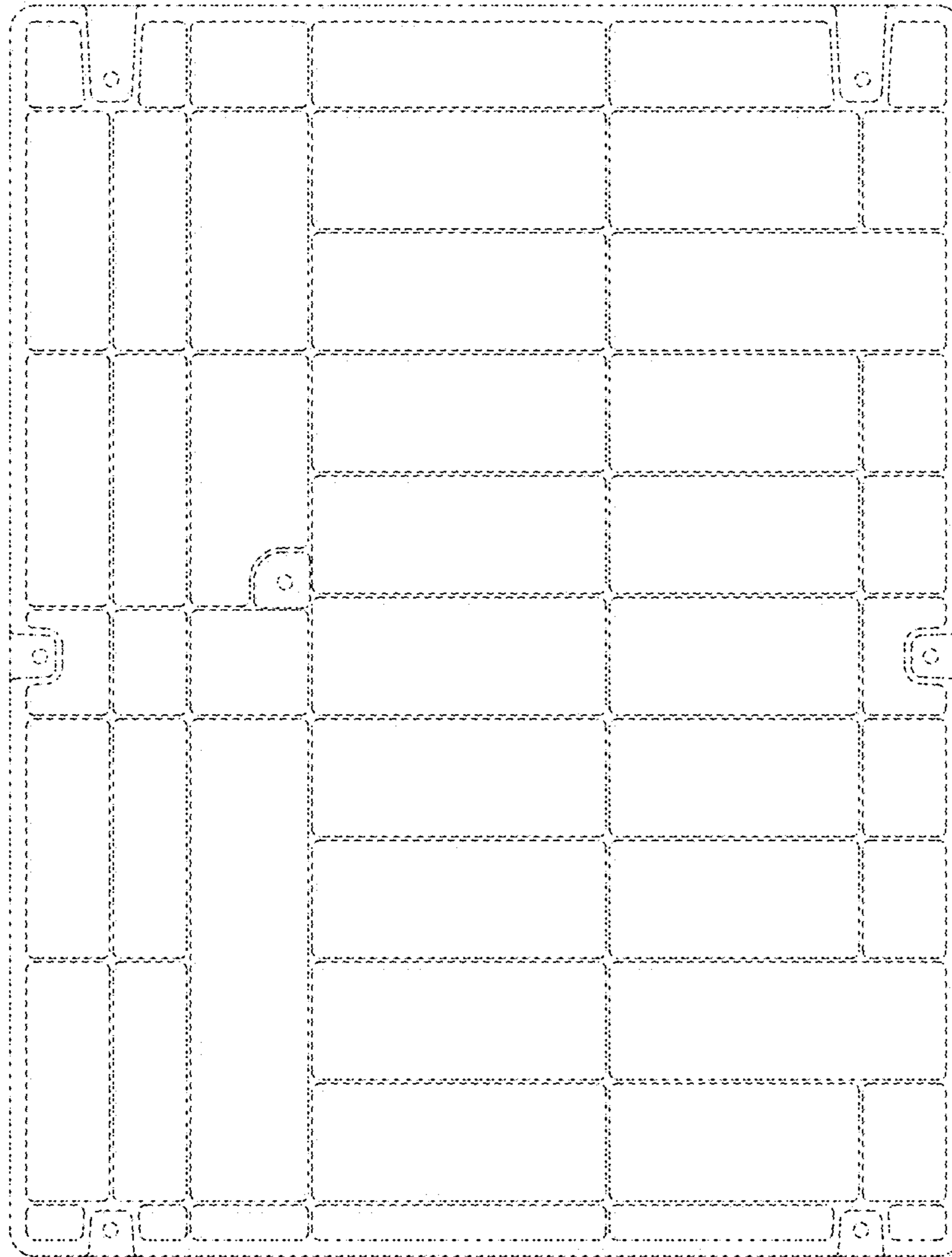


FIG. 6

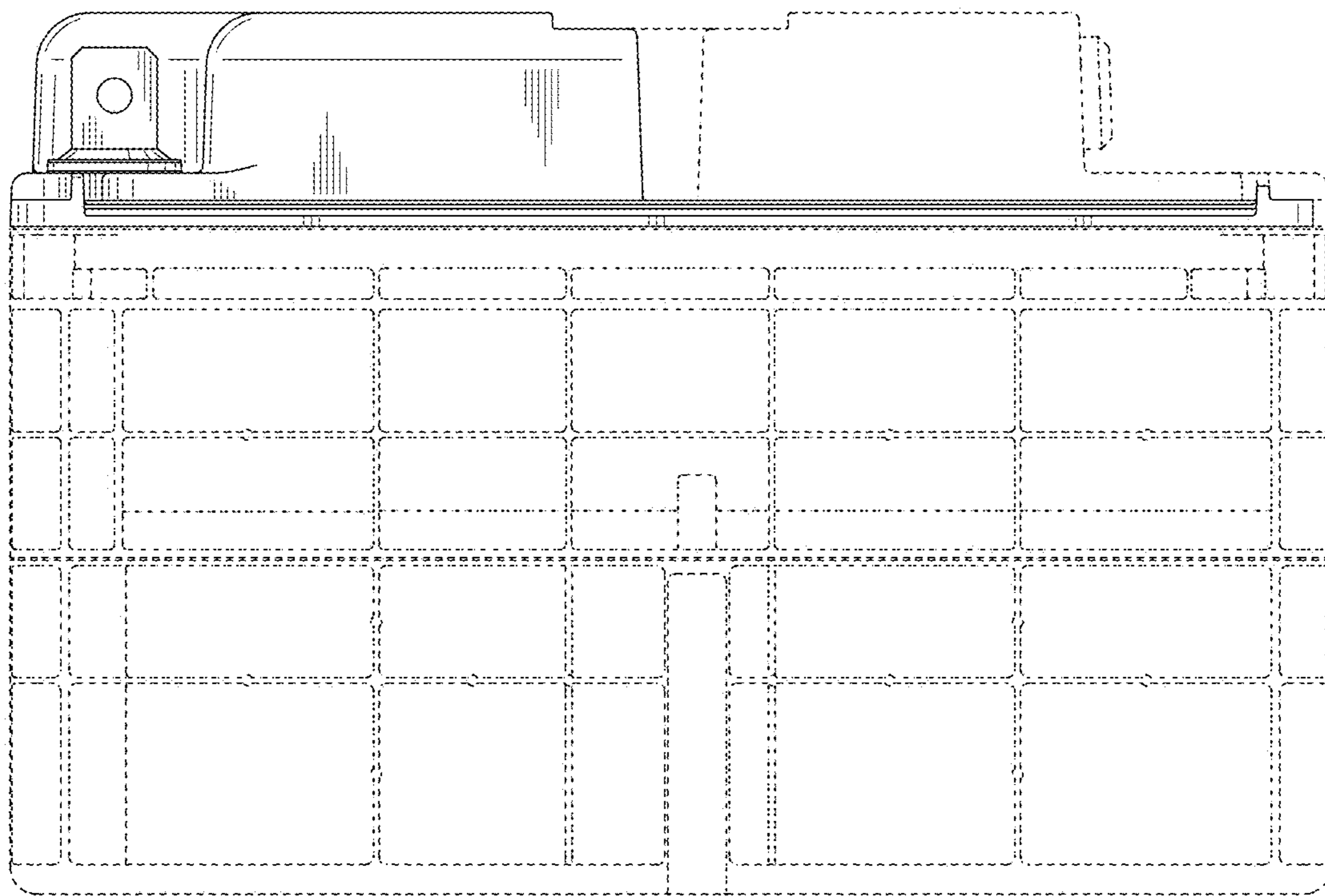


FIG. 7

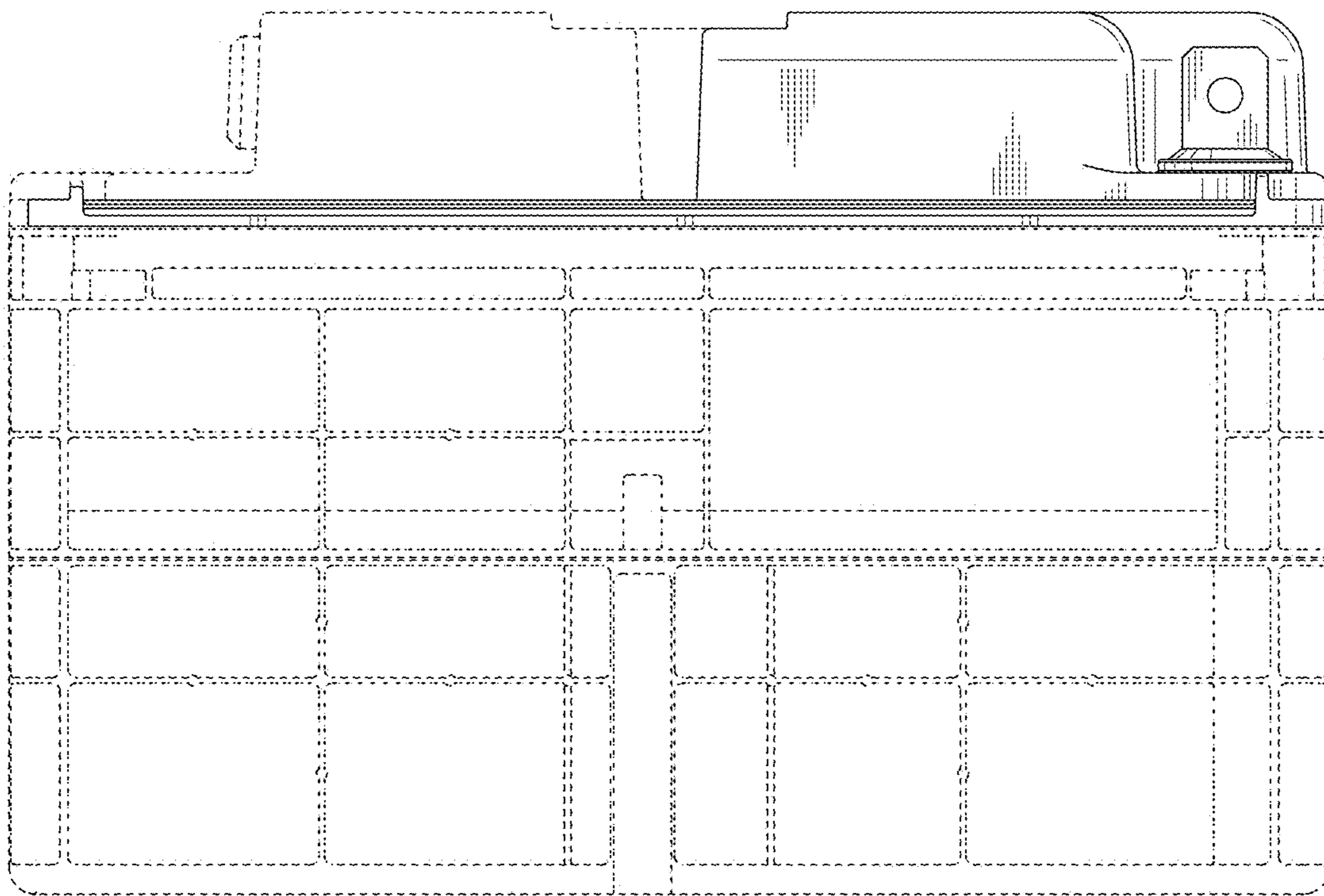


FIG. 8