



US00D887964S

(12) **United States Design Patent** (10) **Patent No.:** **US D887,964 S**  
**Abbamonte** (45) **Date of Patent:** **\*\* Jun. 23, 2020**

- (54) **SOLAR CHARGING STATION**
- (71) Applicant: **Legacy Consulting, LLC**, South Windsor, CT (US)
- (72) Inventor: **Christopher Abbamonte**, South Windsor, CT (US)
- (73) Assignee: **Legacy Consulting, LLC**, South Windsor, CT (US)

9,394,693	B2 *	7/2016	Daniels	.....	H02S 20/25
D767,484	S *	9/2016	Morad	.....	D13/102
D778,234	S *	2/2017	Cheung	.....	D13/102
D814,402	S *	4/2018	Cheung	.....	D13/102
D817,265	S *	5/2018	Liu	.....	D13/102
D823,237	S *	7/2018	Albright	.....	D13/102
D830,296	S *	10/2018	Liu	.....	D13/102
D832,203	S *	10/2018	Caswell	.....	D13/102
10,141,885	B2 *	11/2018	Smadja	.....	H02S 20/00
D841,571	S *	2/2019	Zhou	.....	D13/102
D857,624	S *	8/2019	Katov	.....	D13/102

(Continued)

(\*\*) Term: **15 Years**

*Primary Examiner* — Susan Bennett Hattan

*Assistant Examiner* — Suzanne E Tisdell

(21) Appl. No.: **29/657,135**

(74) *Attorney, Agent, or Firm* — Offit Kurman, P.C.;

(22) Filed: **Jul. 19, 2018**

Gregory A. Grissett

(51) **LOC (12) Cl.** ..... **13-02**

(57) **CLAIM**

(52) **U.S. Cl.**  
USPC ..... **D13/102**

The ornamental design for a solar charging station, as shown and described.

(58) **Field of Classification Search**  
USPC ..... D13/101, 102, 103, 118, 119, 184, 199;  
D14/441, 447, 451  
CPC ..... H02S 20/20; H02S 20/24; H02S 20/30;  
H02S 30/10; H02S 40/36; Y02B 10/12;  
Y02B 10/20  
See application file for complete search history.

**DESCRIPTION**

(56) **References Cited**

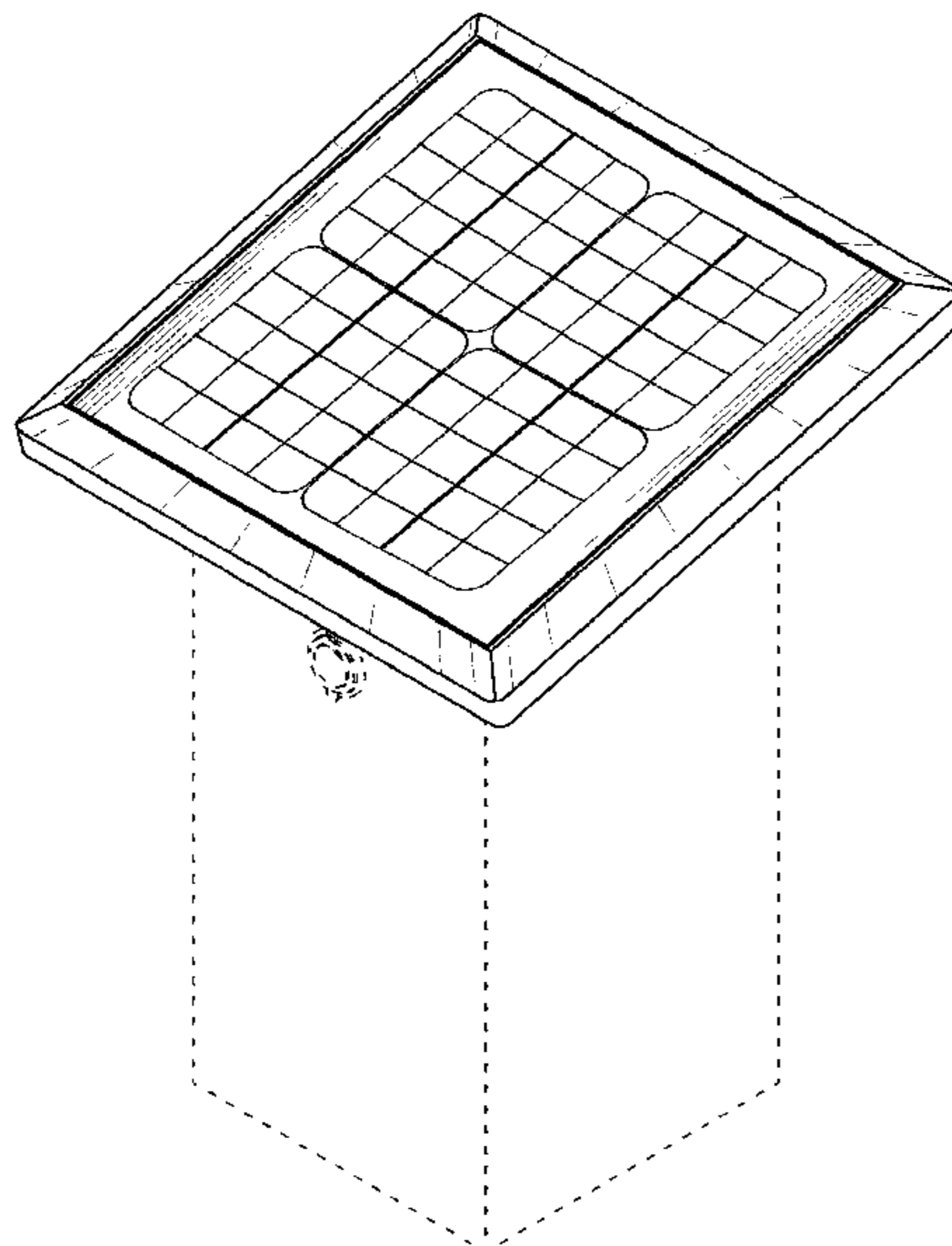
U.S. PATENT DOCUMENTS

D524,727	S *	7/2006	Yamashita	.....	D13/102
D543,501	S *	5/2007	Yamashita	.....	D13/102
8,205,400	B2 *	6/2012	Allen	.....	H01L 31/048 136/244
D684,112	S *	6/2013	Fallon	.....	D13/102
8,607,510	B2 *	12/2013	Daniels	.....	E04D 1/30 126/622
D719,909	S *	12/2014	Iwasaki	.....	D13/102
9,082,913	B2 *	7/2015	Karpovich	.....	H01L 31/048
9,156,568	B1 *	10/2015	Spence	.....	B64G 1/222
D750,556	S *	3/2016	Morad	.....	D13/102
9,281,777	B1 *	3/2016	Borgstrom	.....	F16M 11/38

FIG. 1 is a perspective view of a charging station according to an embodiment of my design;  
FIG. 2 is a front view of the charging station shown in FIG. 1;  
FIG. 3 is a rear view of the charging station shown in FIG. 1;  
FIG. 4 is a left side view of the charging station shown in FIG. 1;  
FIG. 5 is a right side view of the charging station shown in FIG. 1;  
FIG. 6 is a top plan view of the charging station shown in FIG. 1; and,  
FIG. 7 is a bottom view of the charging station shown in FIG. 1.

The broken line portions of the figure drawings are included to show unclaimed subject matter only and forms no part of the claimed design.

**1 Claim, 4 Drawing Sheets**



(56)

**References Cited**

U.S. PATENT DOCUMENTS

D866,456 S \* 11/2019 Negley ..... D13/102  
10,536,108 B2 \* 1/2020 Goldberg ..... H02S 20/24

\* cited by examiner

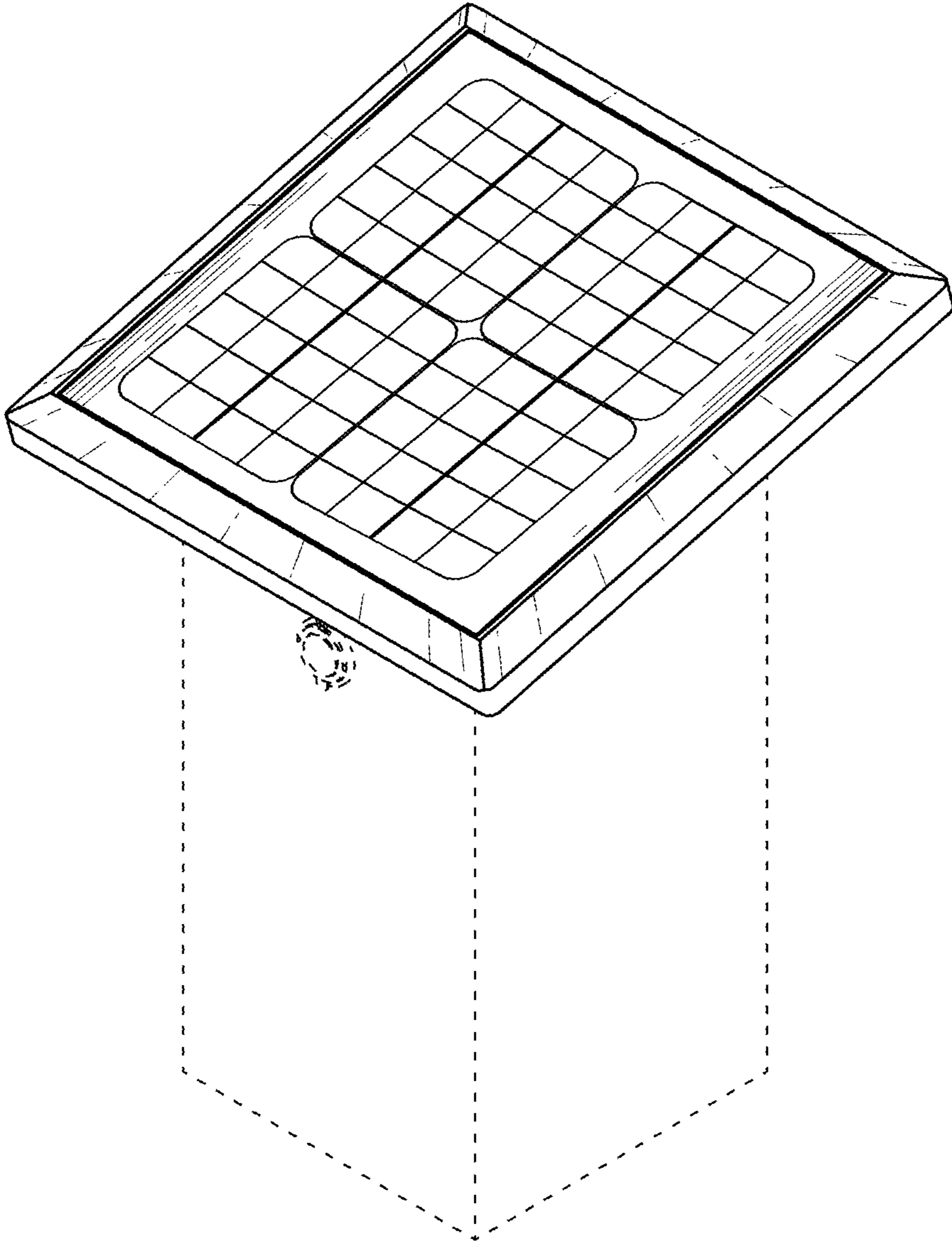


FIG. 1

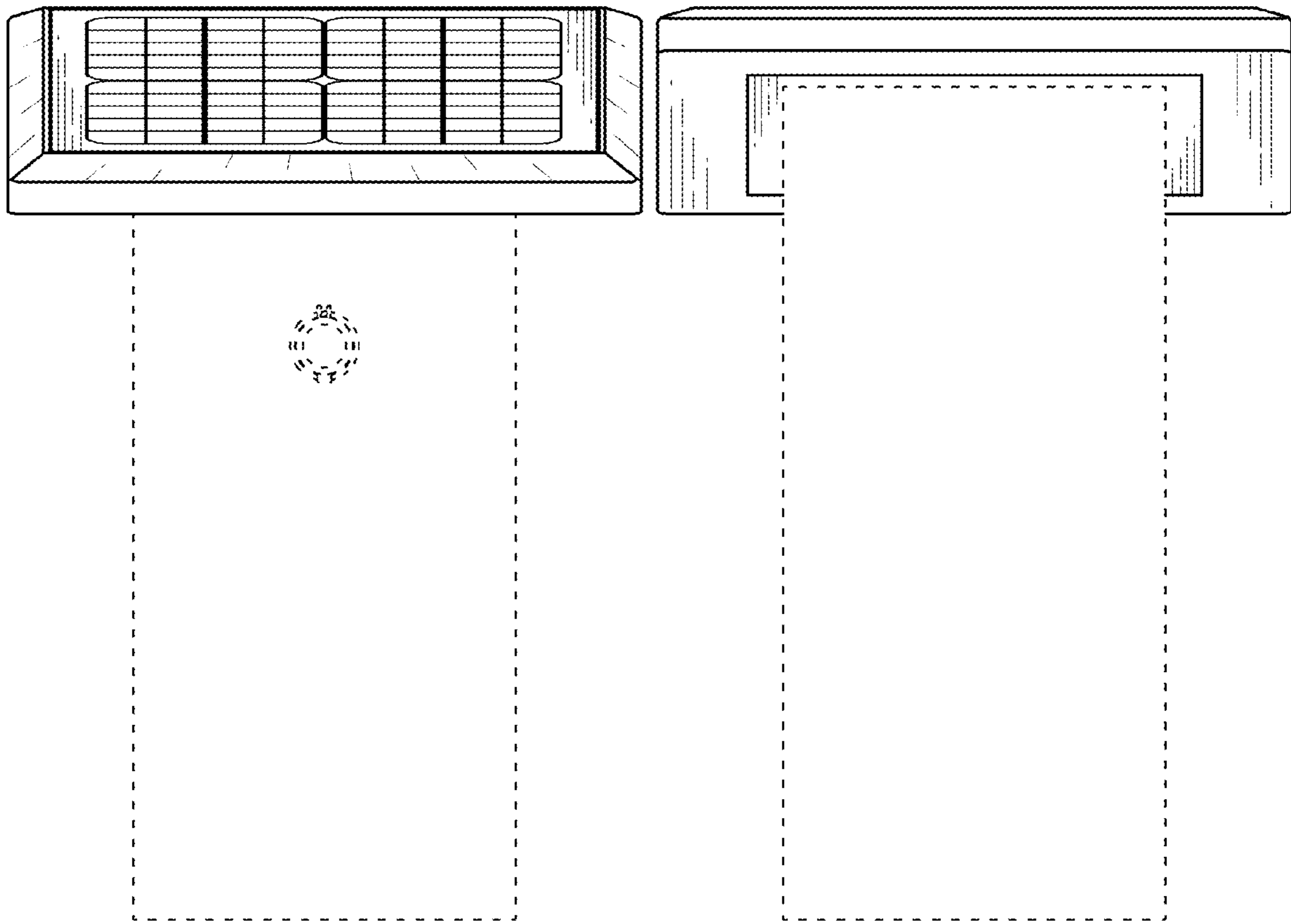


FIG. 2

FIG. 3

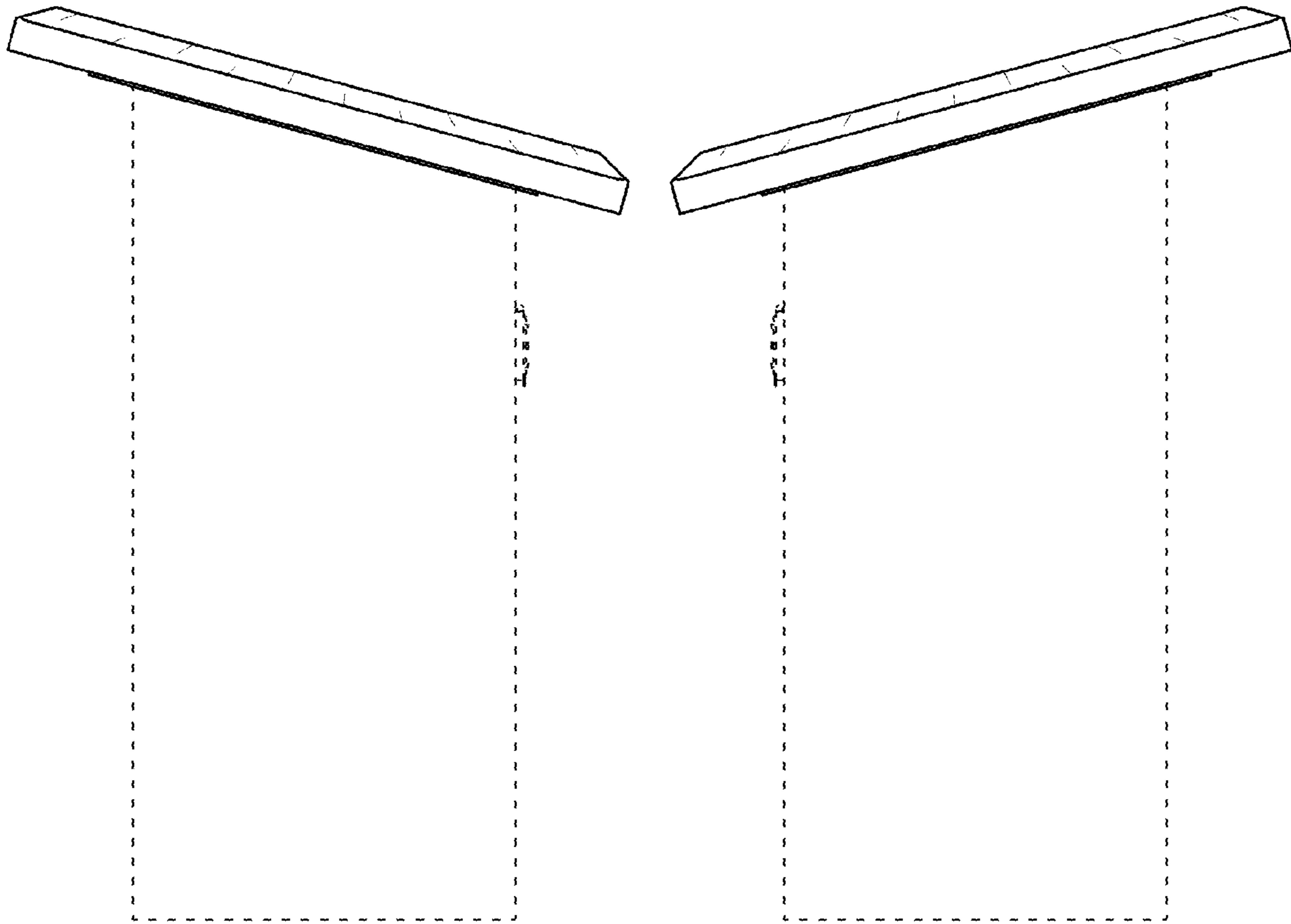


FIG. 4

FIG. 5

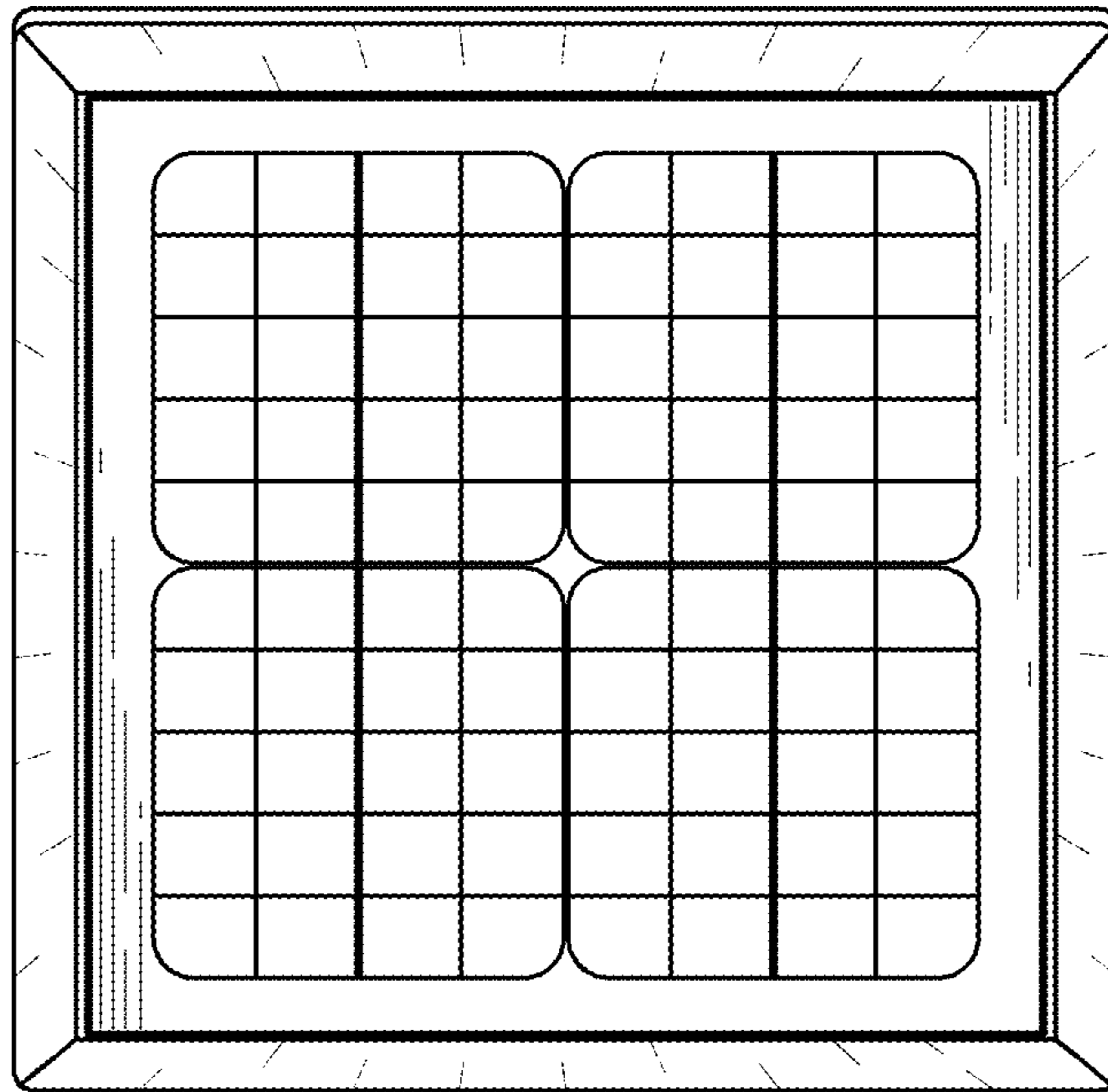


FIG. 6

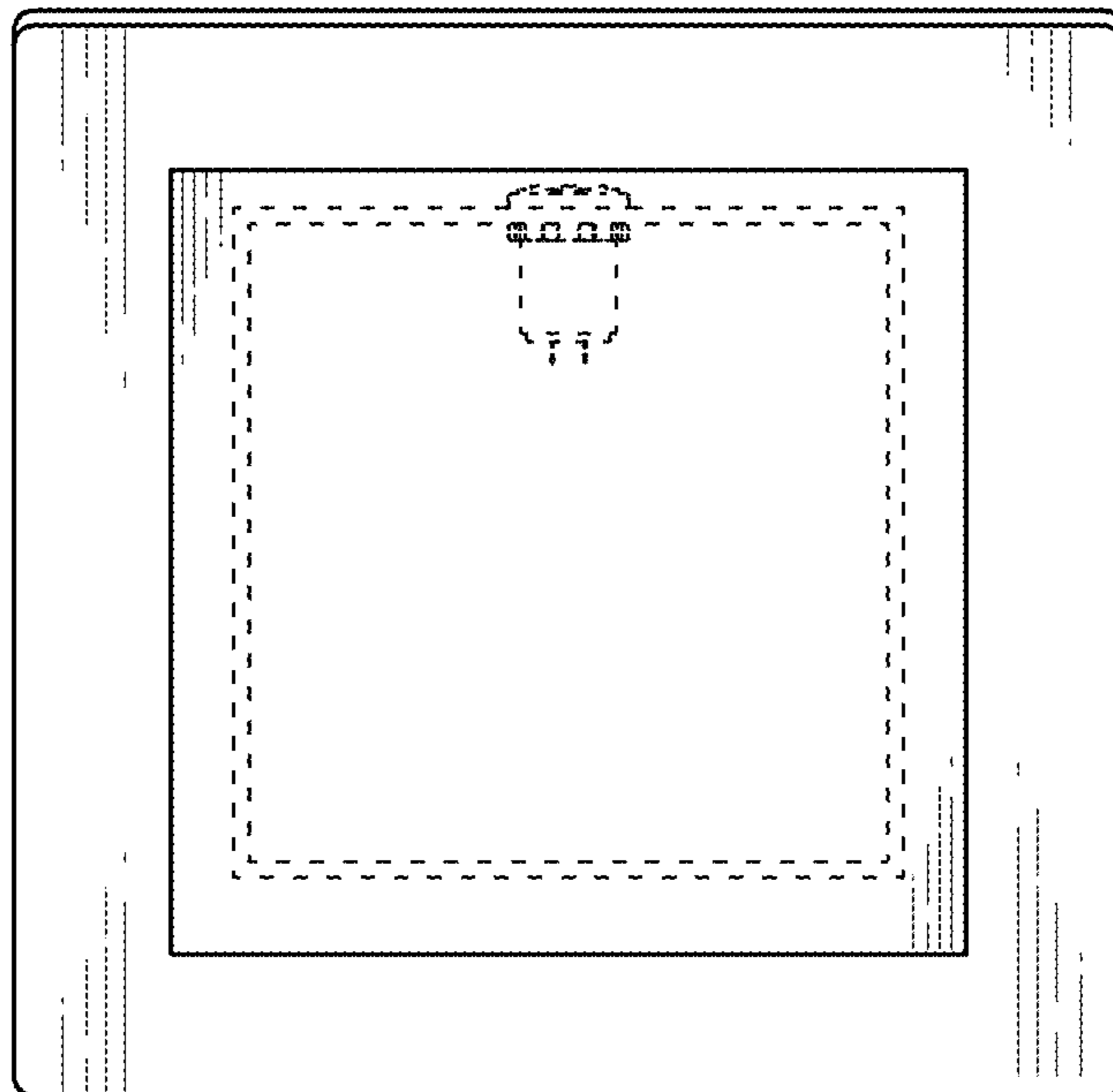


FIG. 7