



US00D887963S

(12) **United States Design Patent** (10) **Patent No.:** **US D887,963 S**
Yang (45) **Date of Patent:** **** Jun. 23, 2020**

(54) **FLEXIBLE INTERCONNECTING MEMBER FOR SOLAR CELLS**

(71) Applicant: **SolAero Technologies Corp.**,
Albuquerque, NM (US)

(72) Inventor: **Lei Yang**, Albuquerque, NM (US)

(73) Assignee: **SolAero Technologies Corp.**,
Albuquerque, NM (US)

(**) Term: **15 Years**

(21) Appl. No.: **29/583,355**

(22) Filed: **Nov. 4, 2016**

Related U.S. Application Data

(62) Division of application No. 29/552,978, filed on Jan. 27, 2016, now Pat. No. Des. 780,110.

(51) **LOC (12) Cl.** **13-02**

(52) **U.S. Cl.**
USPC **D13/102**

(58) **Field of Classification Search**
USPC D13/101, 102, 103
CPC . H01L 31/042; H01L 31/043; H01L 31/0445;
H02S 30/00; H02S 30/20
See application file for complete search history.

(56) **References Cited**

U.S. PATENT DOCUMENTS

D572,843 S * 7/2008 Berry D25/139
8,148,627 B2* 4/2012 Rose H01L 31/0516
136/244

D665,338 S * 8/2012 Tourino D13/102
D665,339 S * 8/2012 Tourino D13/102
D673,903 S * 1/2013 Kobayashi D13/102
D673,904 S * 1/2013 Kobayashi D13/102
D699,176 S * 2/2014 Salomon D13/102
D777,099 S * 1/2017 Yang D13/102
D780,110 S * 2/2017 Yang D13/102
2011/0023934 A1* 2/2011 Xue H01L 27/301
136/245

* cited by examiner

Primary Examiner — Susan E Krakower

Assistant Examiner — Andrew Kerr

(57) **CLAIM**

The ornamental design for a flexible interconnecting member for solar cells, as shown and described.

DESCRIPTION

The present application is also related to U.S. patent application Ser. No. 29/552,349 filed Nov. 4, 2016.

FIG. 1 is a top perspective view of a flexible interconnecting member for solar cells showing my new design;

FIG. 2 is a top plan view thereof;

FIG. 3 is a bottom plan view thereof;

FIG. 4 is a front elevation view thereof;

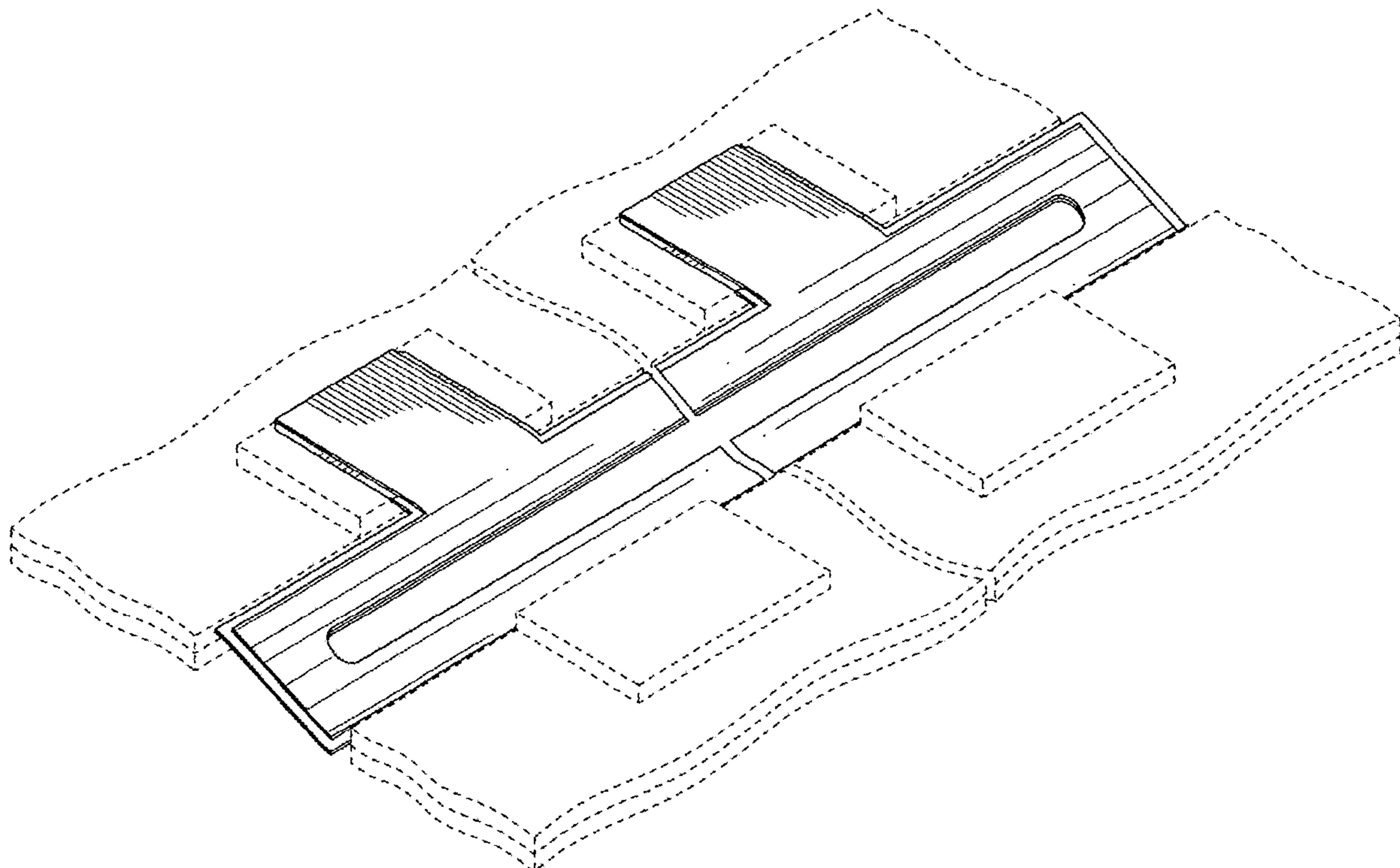
FIG. 5 is a rear elevation view thereof;

FIG. 6 is a right side elevation view thereof; and,

FIG. 7 is a left side elevation view thereof.

The broken line in the figure drawings is included for the purpose of illustrating environment and forms no part of the claimed design.

1 Claim, 4 Drawing Sheets



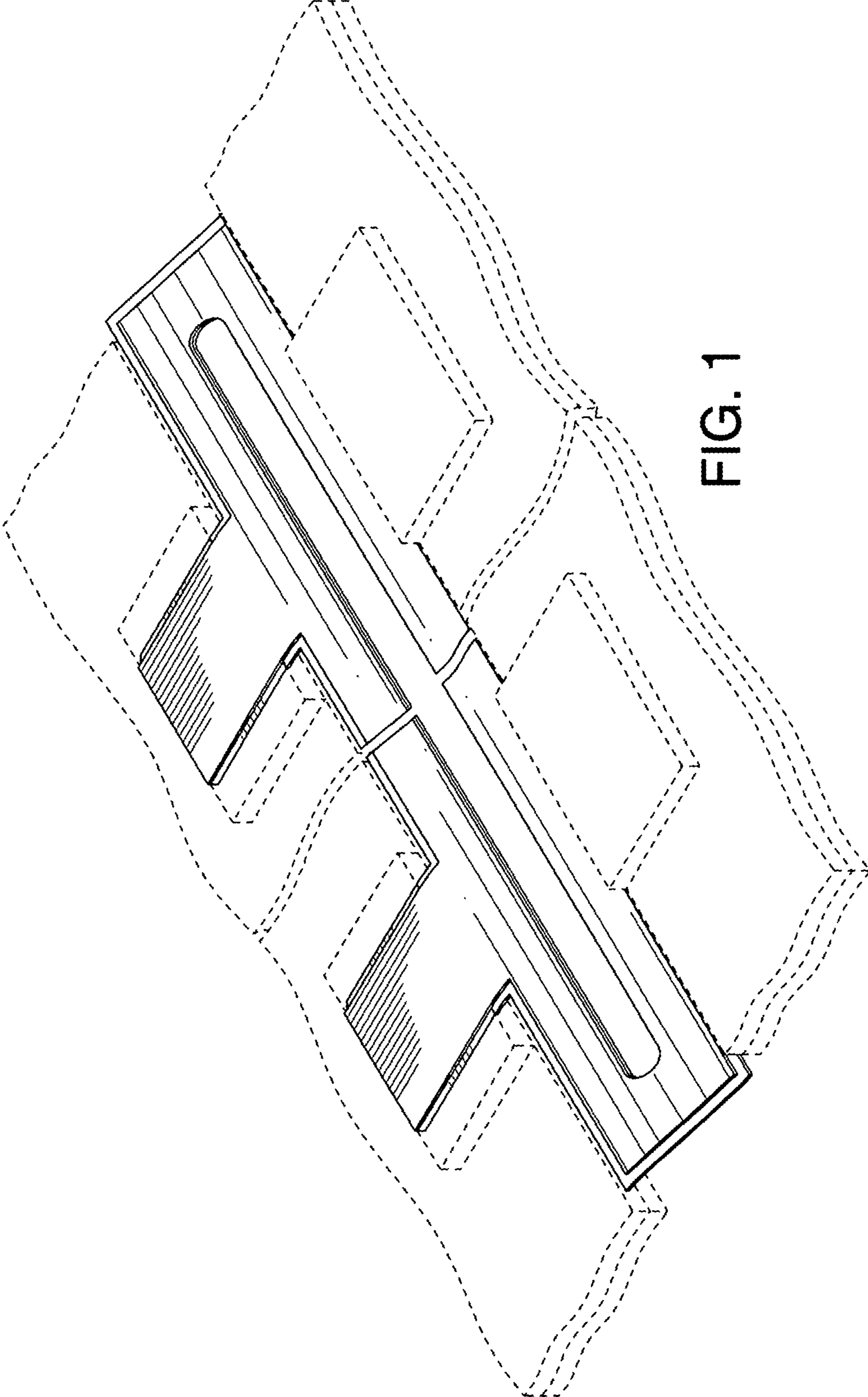


FIG. 1

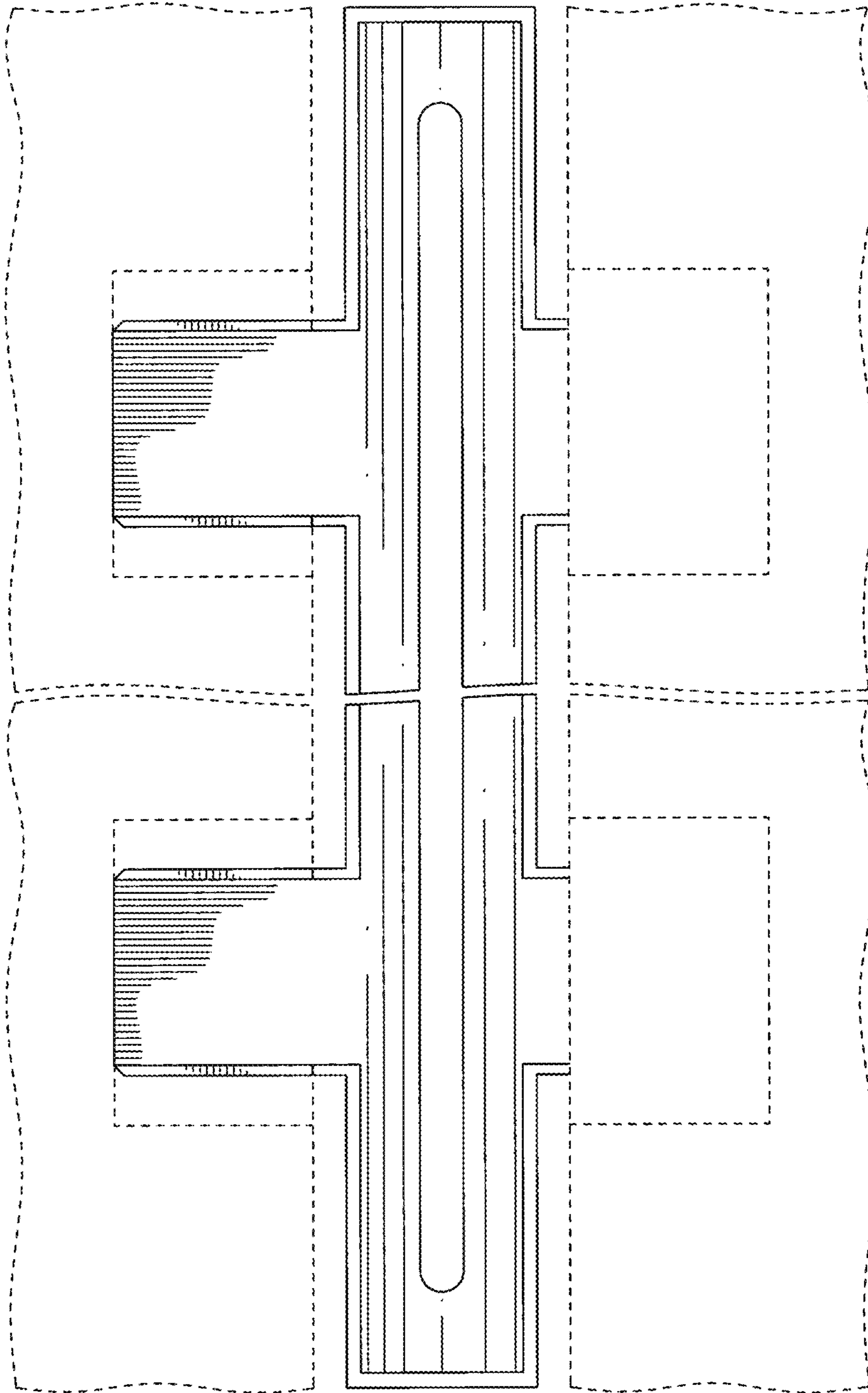


FIG. 2

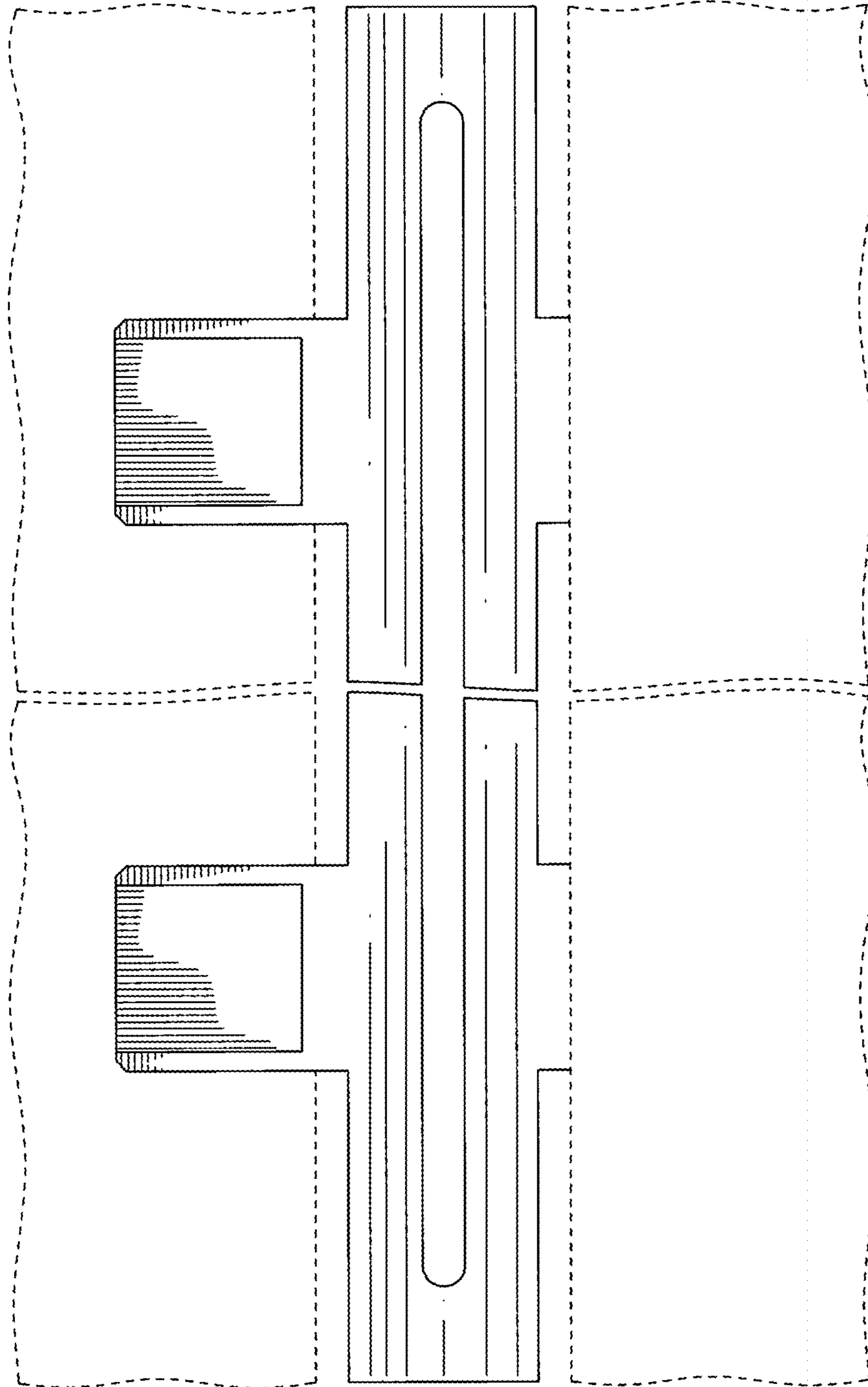


FIG. 3

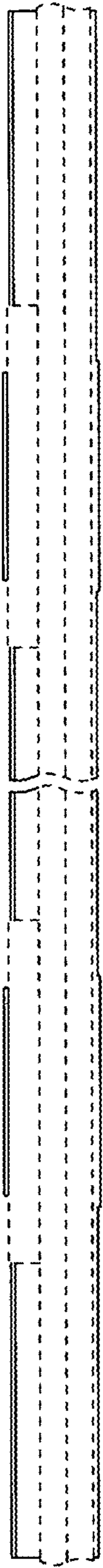


FIG. 4



FIG. 5

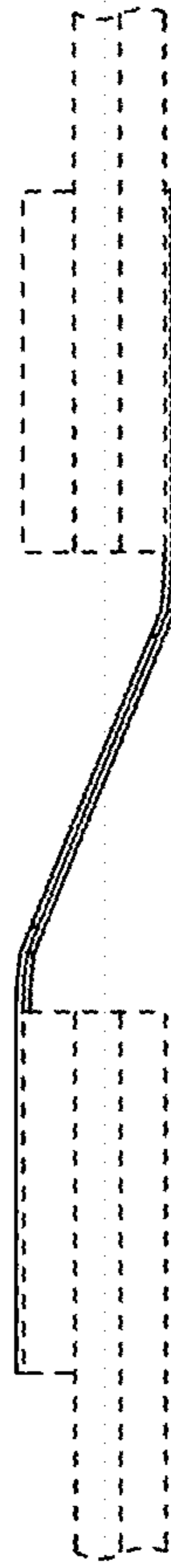


FIG. 6

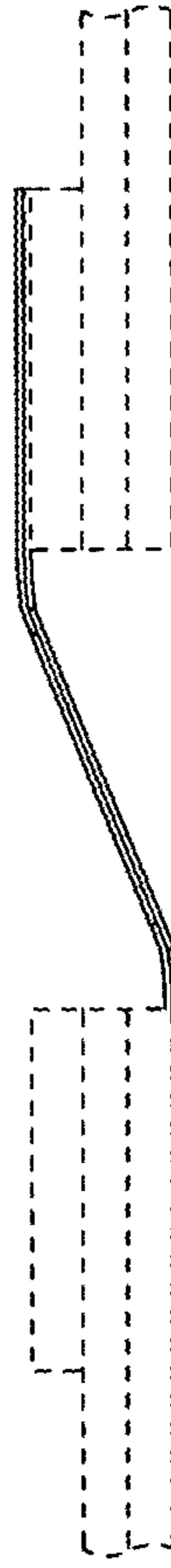


FIG. 7