



US00D887960S

(12) **United States Design Patent**
Hamanaka et al.

(10) **Patent No.:** **US D887,960 S**

(45) **Date of Patent:** **** Jun. 23, 2020**

(54) **AUTOMOBILE TIRE**

(71) Applicant: **THE YOKOHAMA RUBBER CO., LTD.**, Minato-ku, Tokyo (JP)

(72) Inventors: **Hideki Hamanaka**, Hiratsuka (JP);
Kotaro Iwabuchi, Tokyo (JP)

(73) Assignee: **THE YOKOHAMA RUBBER CO., LTD.**, Minato-ku, Tokyo (JP)

(**) Term: **15 Years**

(21) Appl. No.: **29/680,961**

(22) Filed: **Feb. 21, 2019**

(30) **Foreign Application Priority Data**

Aug. 21, 2018 (JP) 2018-018115

(51) **LOC (12) Cl.** **12-15**

(52) **U.S. Cl.**
USPC **D12/600**

(58) **Field of Classification Search**
USPC D12/568-604
CPC Y10T 152/10027; B60C 1/0016; B60C 11/0306; B60C 11/0302; B60C 3/06; B60C 9/17
See application file for complete search history.

(56) **References Cited**

U.S. PATENT DOCUMENTS

D346,142 S *	4/1994	Consolacion	D12/531
D592,590 S *	5/2009	Janesh	D12/588
D647,039 S *	10/2011	Riswanda	D12/588
D736,695 S *	8/2015	Dixon	D12/594
D761,192 S *	7/2016	Dixon	D12/594
D781,223 S *	3/2017	Dixon	D12/588

D815,015 S *	4/2018	Le	D12/521
D843,312 S *	3/2019	Cai	D12/588
D851,579 S *	6/2019	Hamanaka	D12/600
D853,943 S *	7/2019	Jones	D12/587
D860,927 S *	9/2019	Dixon	D12/600

* cited by examiner

Primary Examiner — Brandon M Rosati

Assistant Examiner — John A Voytek

(74) *Attorney, Agent, or Firm* — Banner & Witcoff, Ltd.

(57) **CLAIM**

The ornamental design for an automobile tire, as shown and described.

DESCRIPTION

FIG. 1 is a perspective view of an automobile tire showing our design;

FIG. 2 is a front view thereof;

FIG. 3 is a rear view thereof;

FIG. 4 is a right side view thereof;

FIG. 5 is a left side view thereof;

FIG. 6 is a top view thereof;

FIG. 7 is a bottom view thereof;

FIG. 8 is a partially enlarged view of a portion defined by lines 8-8 shown in FIG. 1;

FIG. 9 is a partially enlarged view of a portion defined by lines 9-9 shown in FIG. 2; and,

FIG. 10 is a cross sectional view of a portion defined by lines 10-10 shown in FIG. 9.

In the drawings, the broken lines depict environmental subject matter only and form no part of the claimed design.

The dot and dashed lines represents a boundary between the claimed portion and the non-claimed portion.

1 Claim, 10 Drawing Sheets

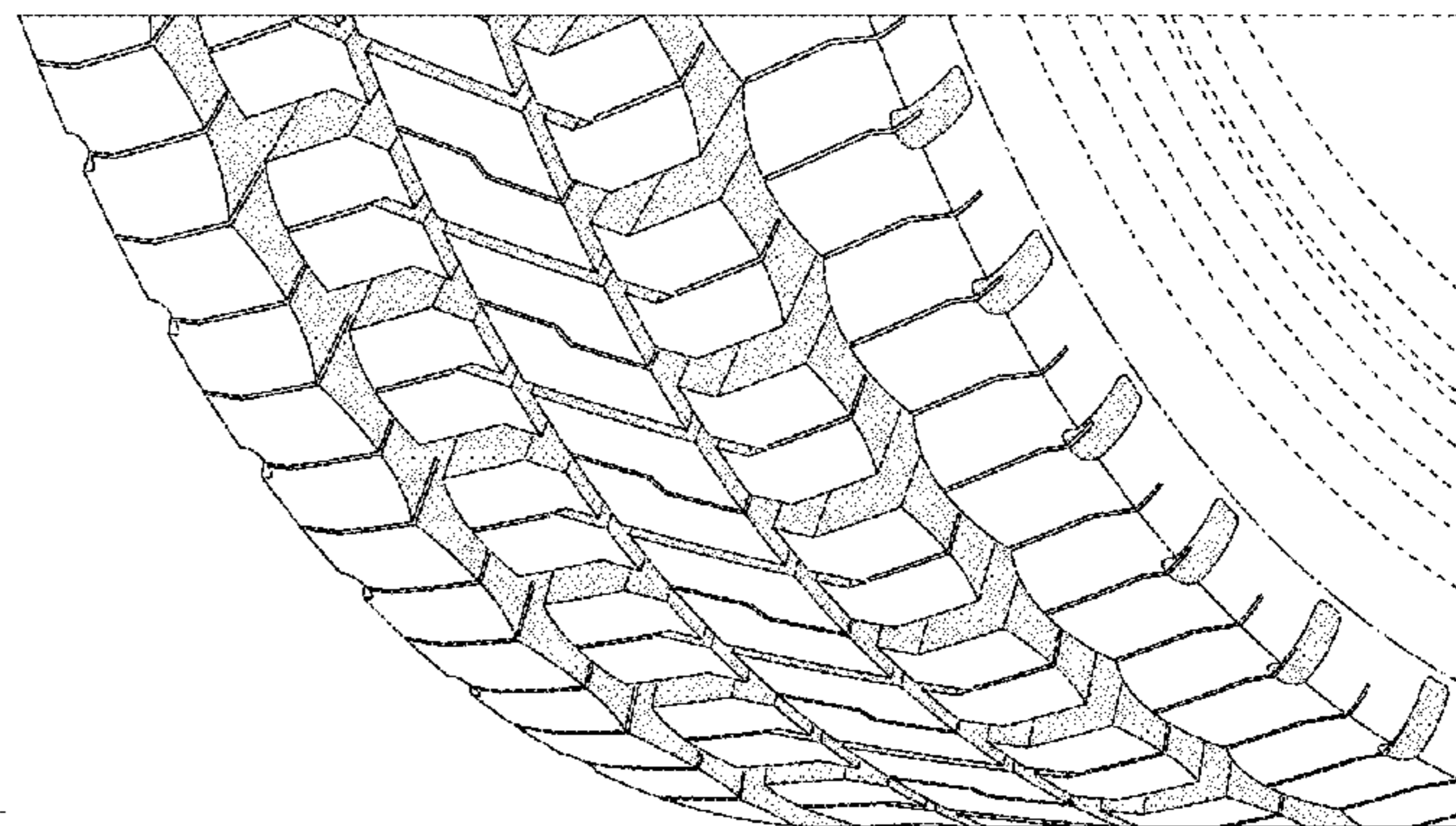
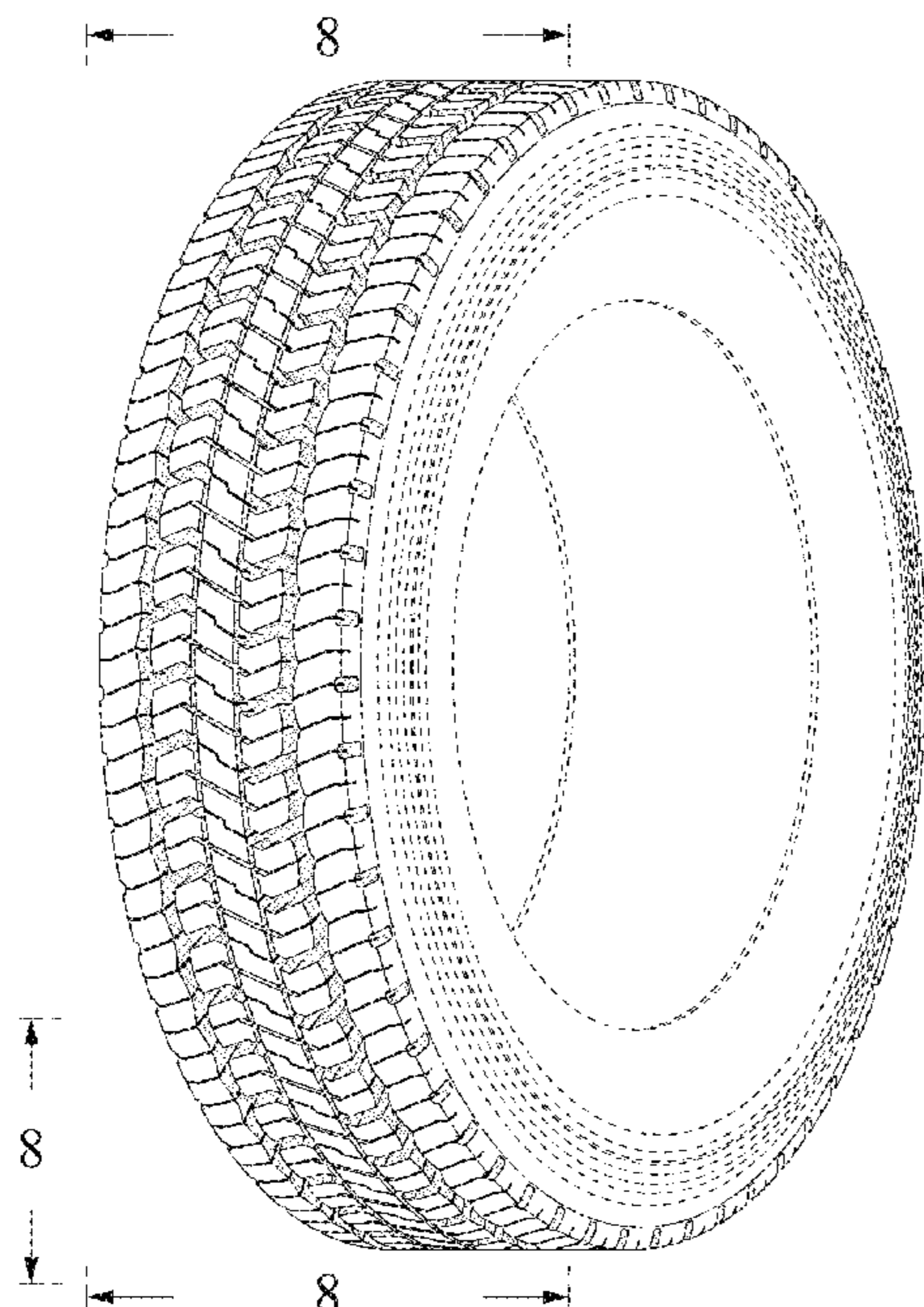


FIG. 1

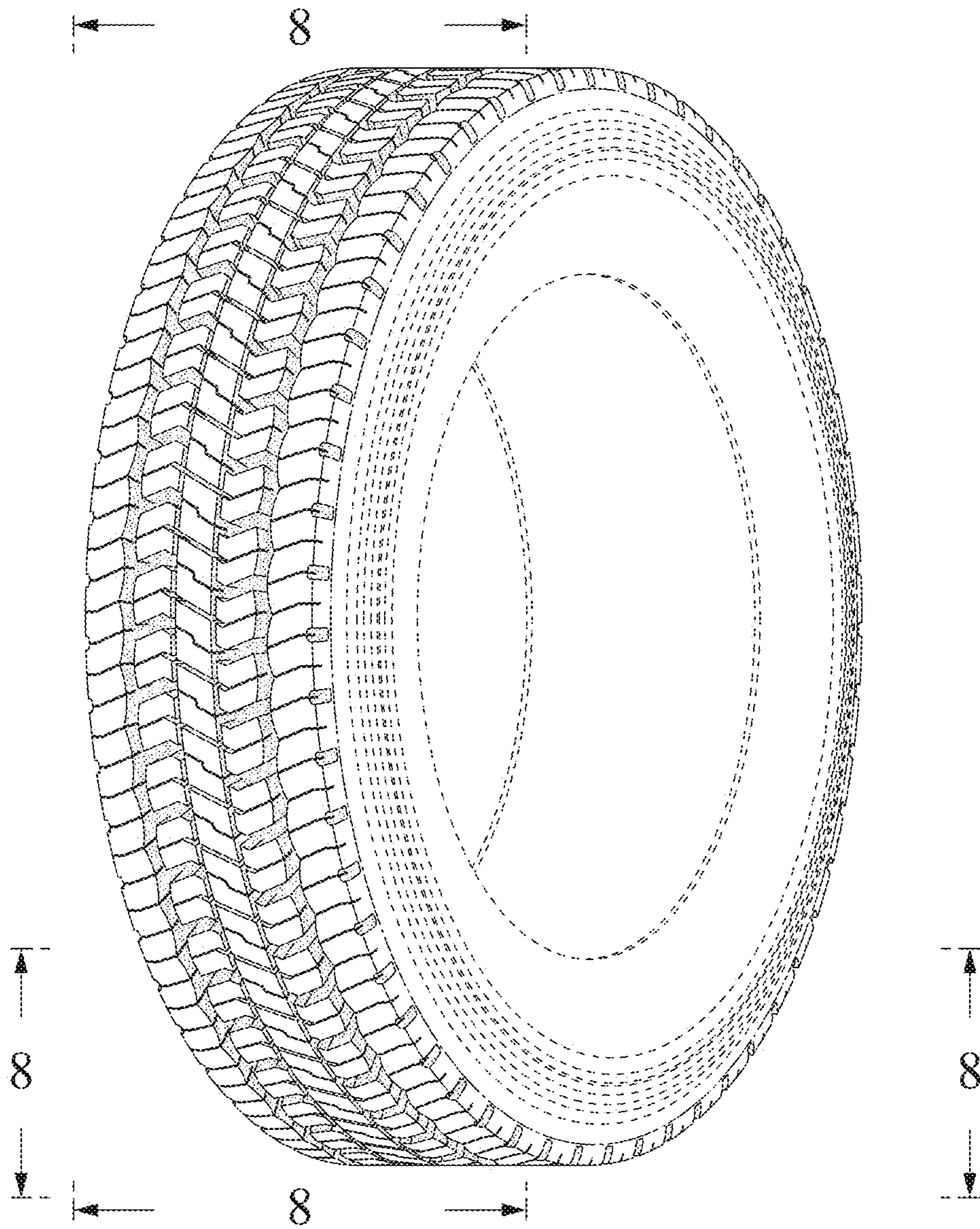


FIG. 2

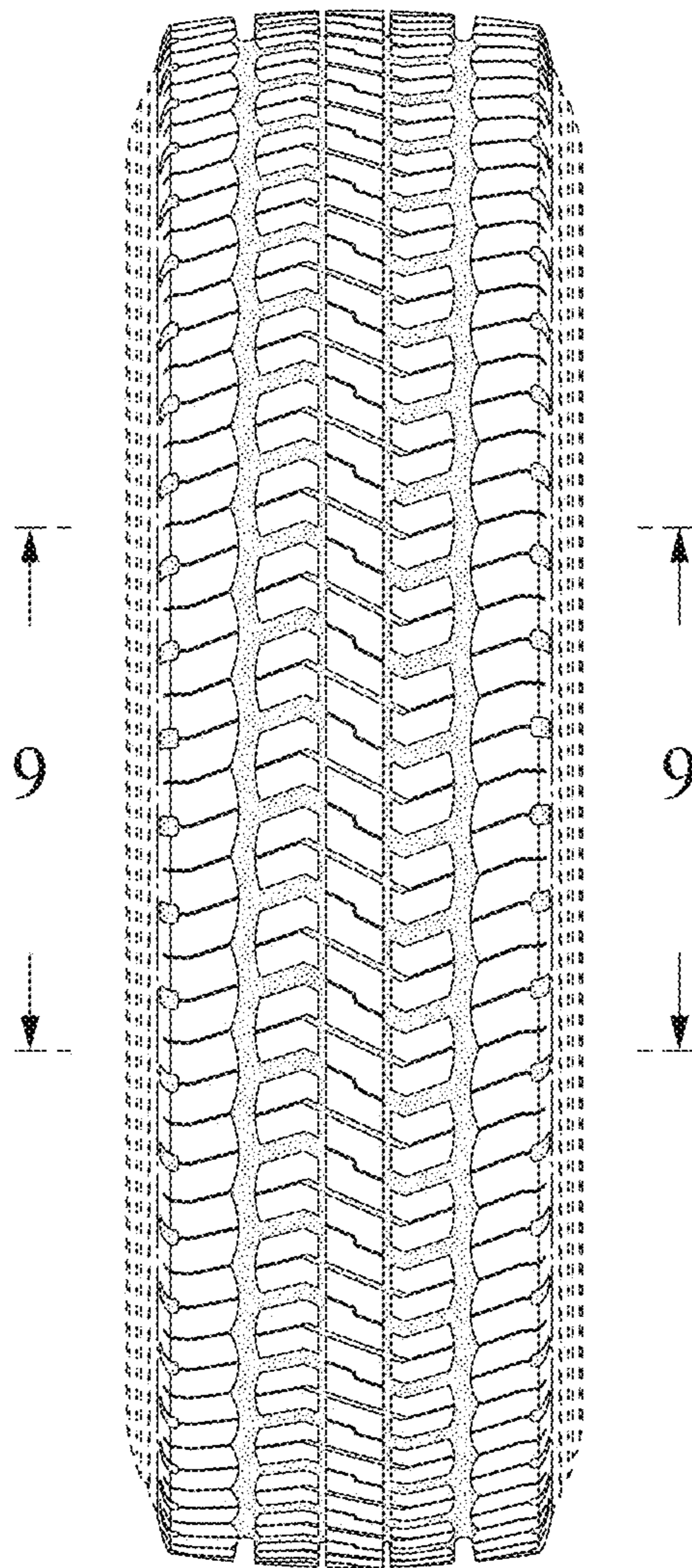


FIG. 3

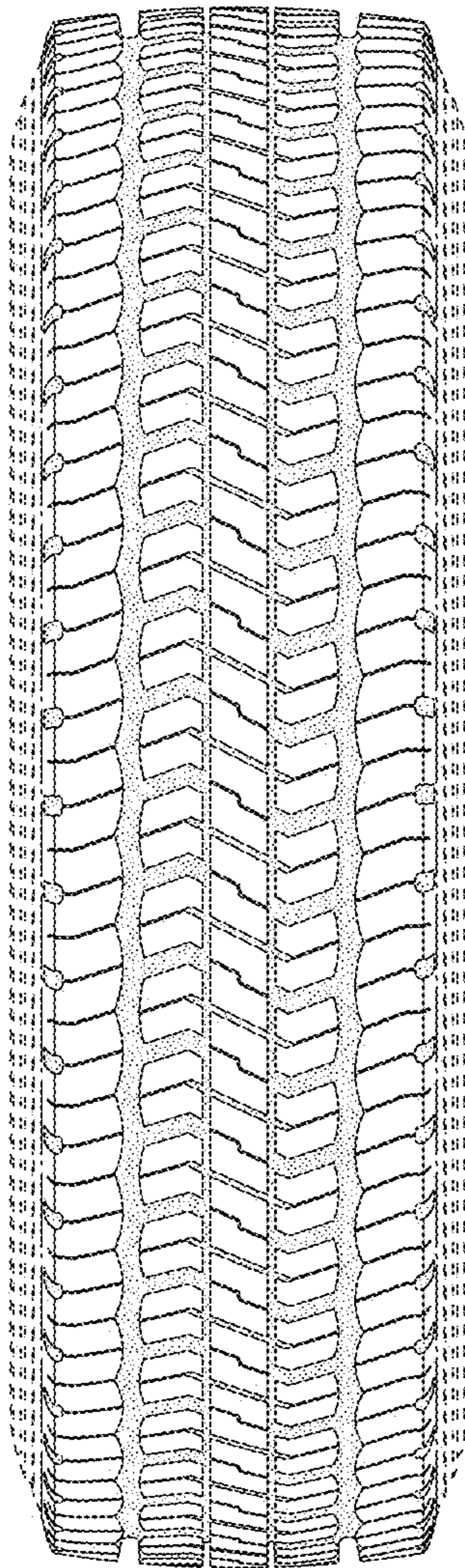


FIG. 4

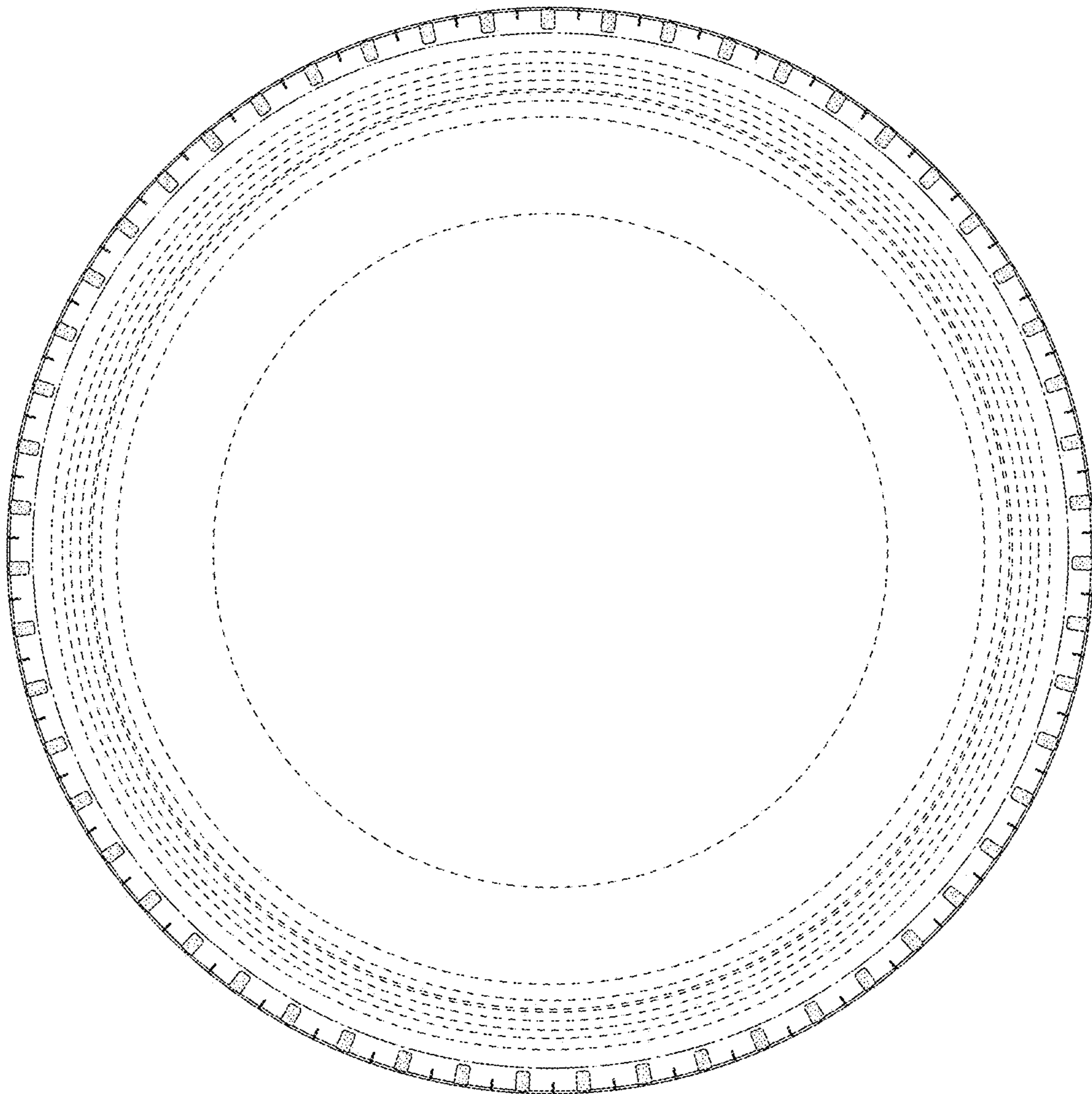


FIG. 5

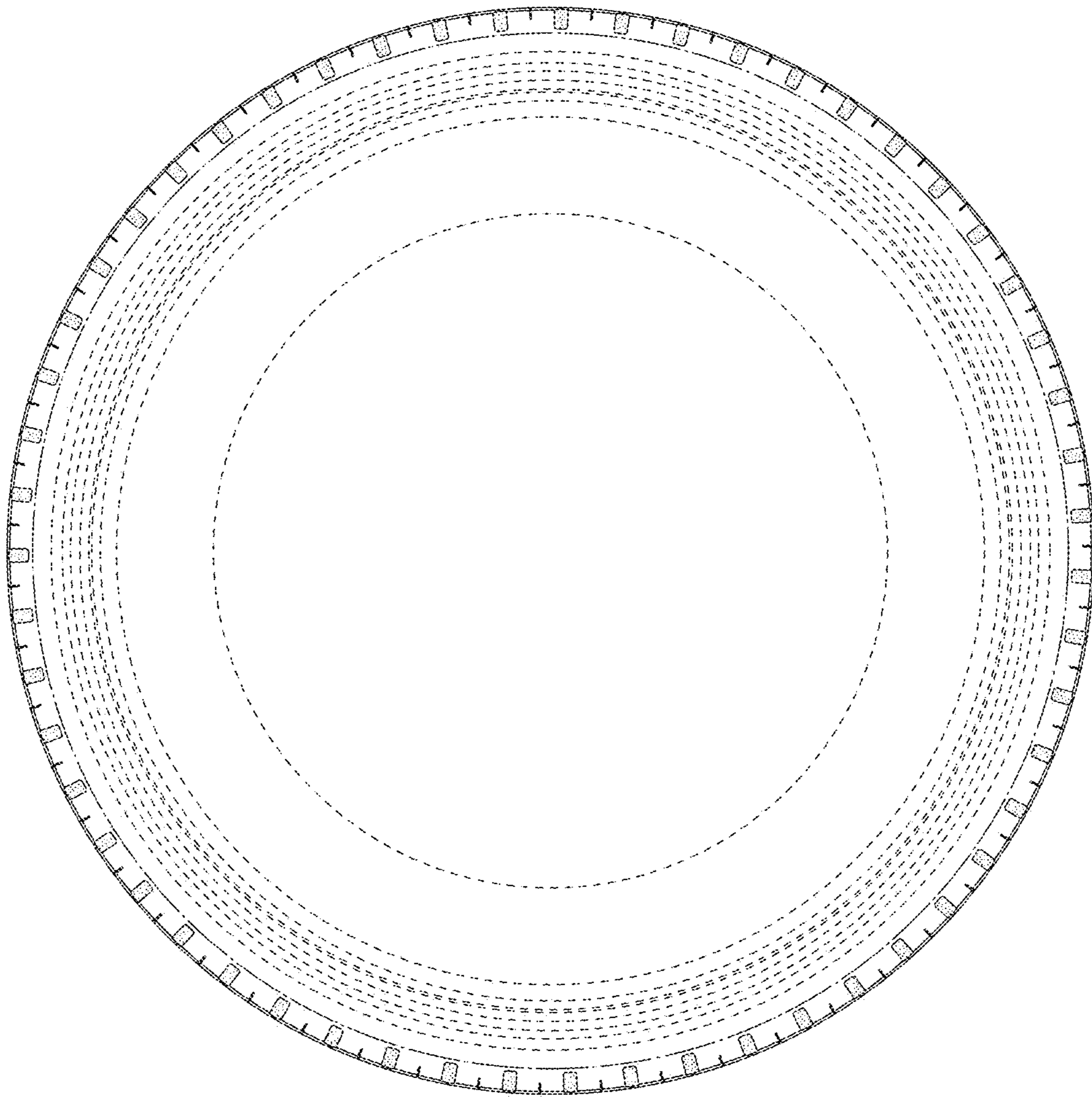


FIG. 6

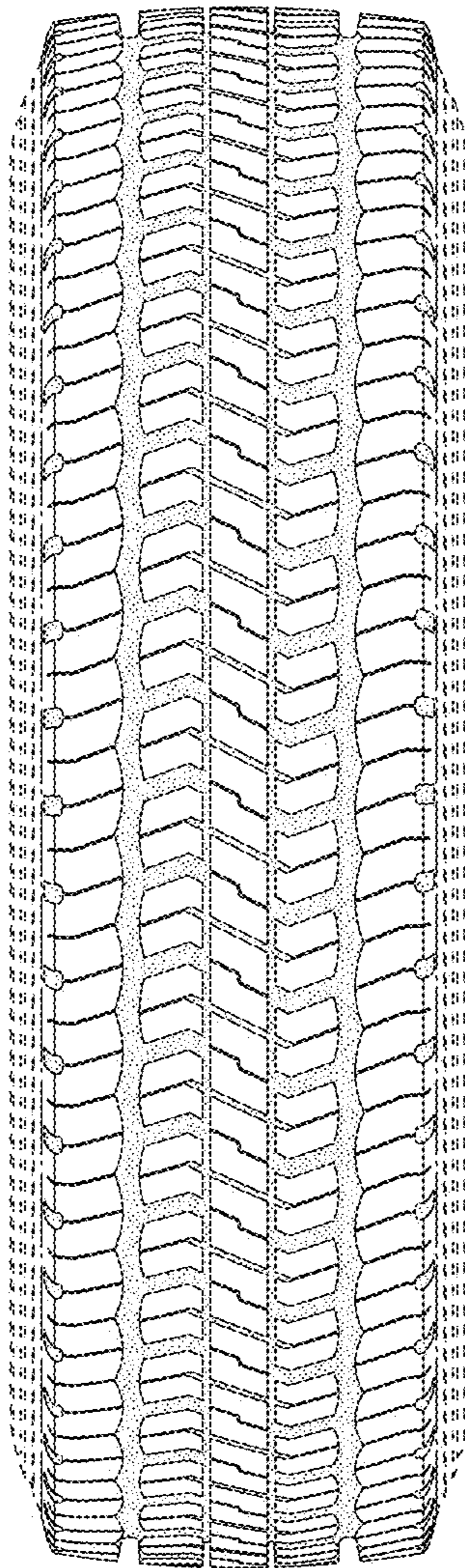


FIG. 7

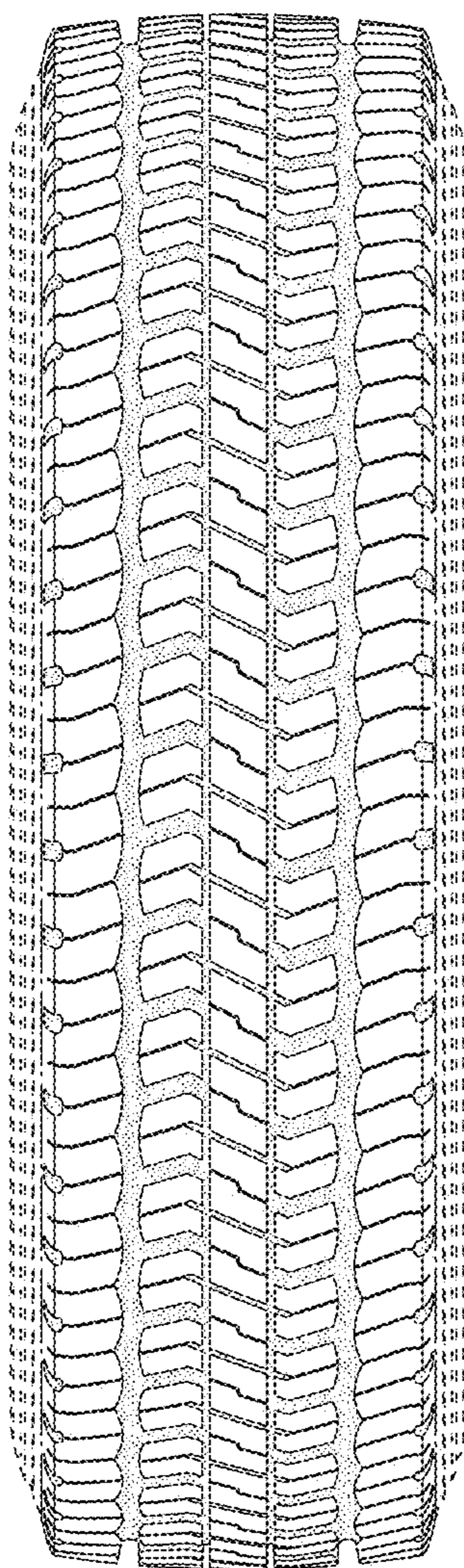


FIG. 8

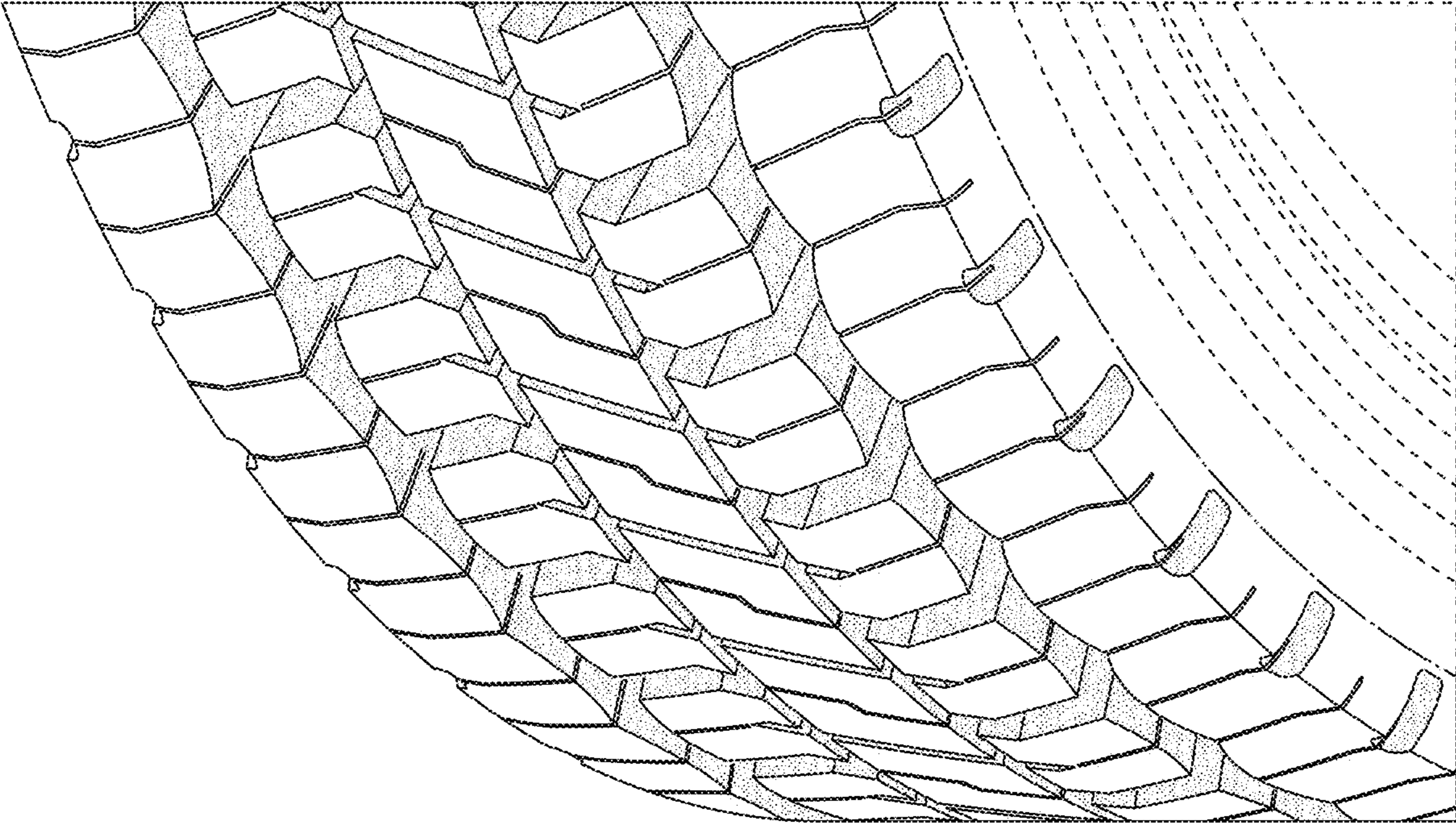


FIG. 9

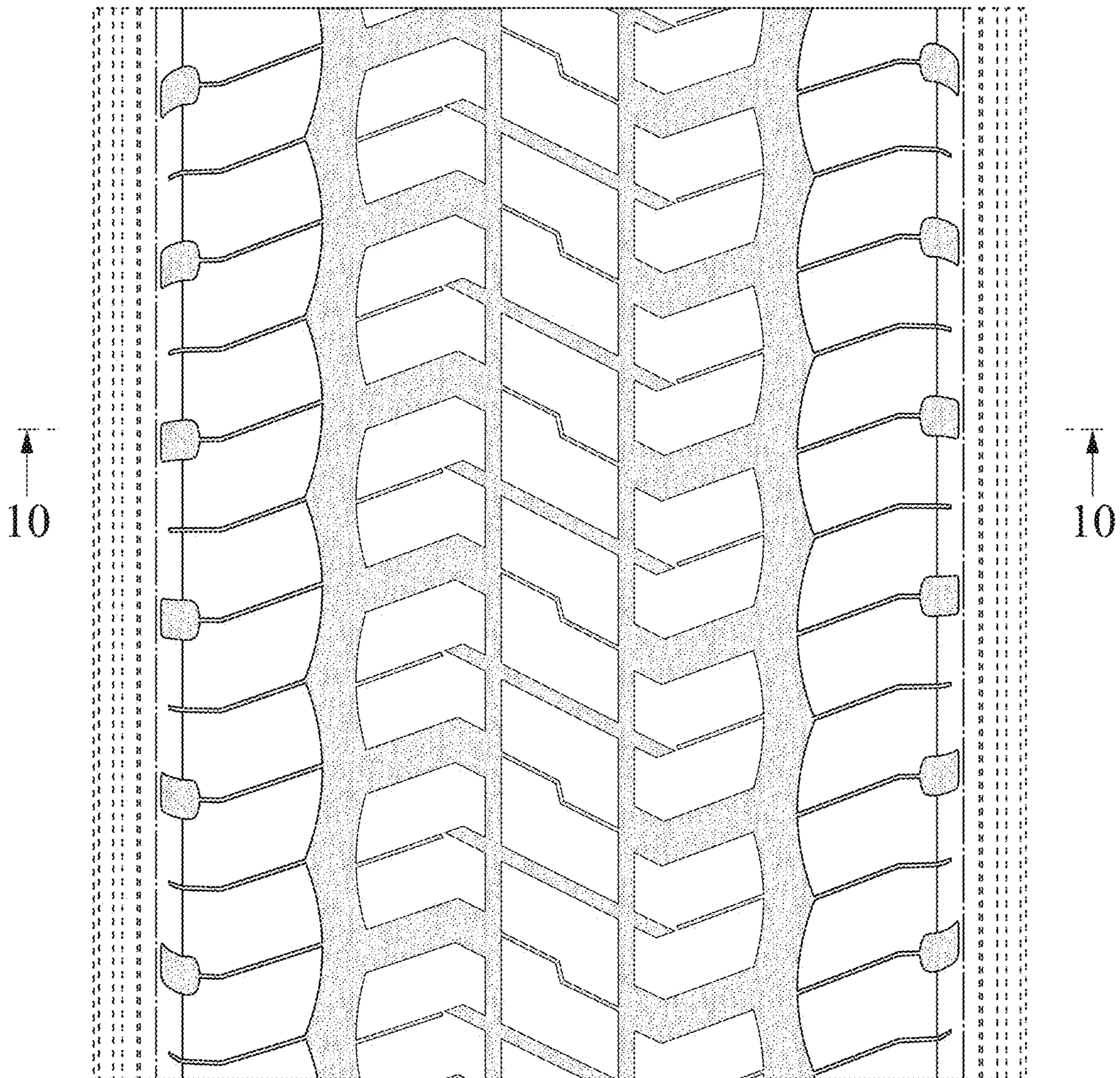


FIG. 10

