



US00D887953S

(12) **United States Design Patent**
Lai et al.

(10) **Patent No.:** **US D887,953 S**
(45) **Date of Patent:** **** Jun. 23, 2020**

(54) **TRUCK BED CARGO LIFT**

(71) Applicant: **1908554 ALBERTA LTD.**, St. Albert (CA)

(72) Inventors: **Raymond Kai Chi Lai**, St. Albert (CA); **David DeJong**, Edmonton (CA); **Miguel Alexandre Filipe Rodrigues**, Sherwood Park (CA); **Darryl Lance Short**, Edmonton (CA)

(73) Assignee: **1908554 ALBERTA LTD.**, Alberta (CA)

(**) Term: **15 Years**

(21) Appl. No.: **29/641,429**

(22) Filed: **Mar. 22, 2018**

(30) **Foreign Application Priority Data**

Sep. 28, 2017 (CA) 177450

(51) **LOC (12) Cl.** **12-16**

(52) **U.S. Cl.**
USPC **D12/414.1**

(58) **Field of Classification Search**
USPC D12/406-414, 414.1, 400, 221;
D6/317-319, 513-514, 382, 386, 387,
D6/392, 361; 5/627, 120-130, 174,
5/178-180, 110; 108/44, 99, 115;
224/519, 521, 510, 511; 296/26.1, 26.08,
296/26.09; D8/68, 69
CPC B60R 9/00; B60R 2011/0042
See application file for complete search history.

(56) **References Cited**

U.S. PATENT DOCUMENTS

4,126,357 A * 11/1978 Day B60P 1/16
298/1 A
5,090,071 A * 2/1992 Bathrick A47C 19/122
5/174
D359,264 S * 6/1995 Pilla D12/221

(Continued)

OTHER PUBLICATIONS

Ezy-lift 2000 Pound Lifting Capacity, EzyLift.com, [online], [site visited Jul. 8, 2019]. <URL: <http://ezylift.com/products.php?p=2>> (Year: 2019).*

(Continued)

Primary Examiner — T Chase Nelson

Assistant Examiner — Jonathan J. Han

(74) *Attorney, Agent, or Firm* — Davis & Bujold PLLC;
Michael J. Bujold

(57) **CLAIM**

We claim the ornamental design for a truck bed cargo lift, as shown and described.

DESCRIPTION

FIG. 1 is a top, rear, right side perspective view of the truck bed cargo lift, with the top surface in its raised position, embodying our new design;

FIG. 2 is a top, front, right side perspective view perspective of the truck bed cargo lift shown in FIG. 1

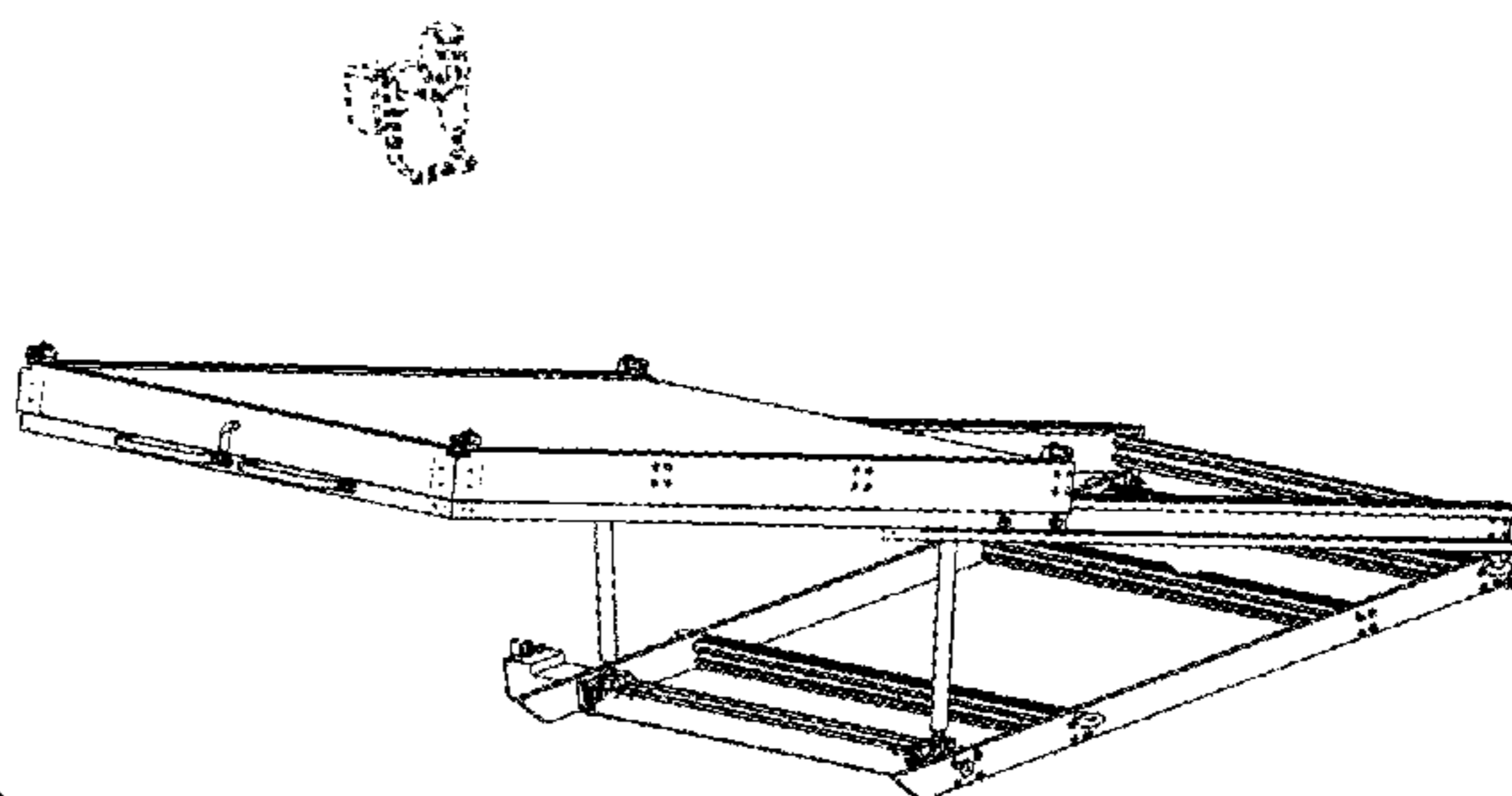
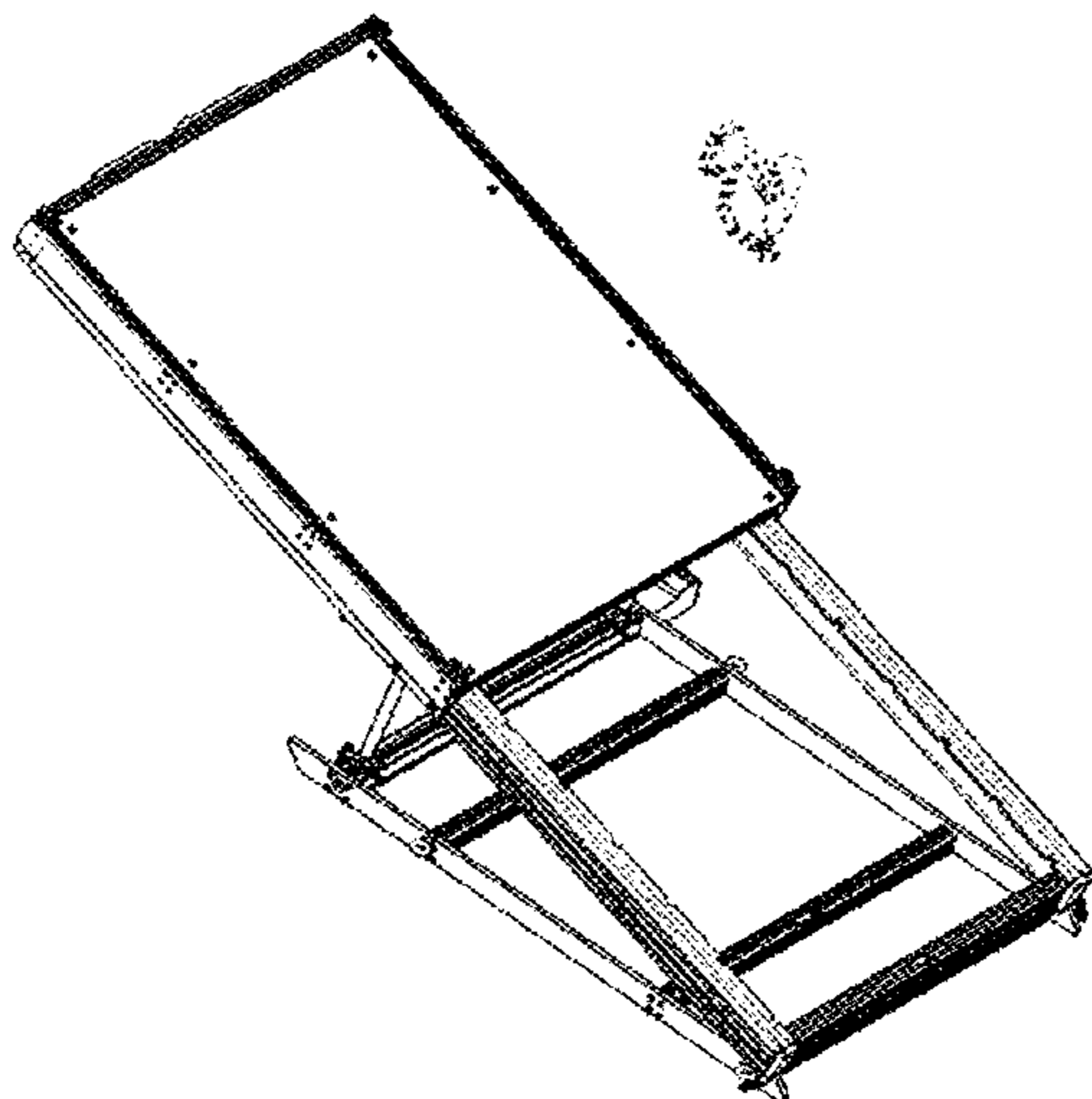
FIG. 3 is a right side elevational view of the truck bed cargo lift shown in FIG. 1;

FIG. 4 is a top plan view of the truck bed cargo lift shown in FIG. 1, with the top surface in its lowered position;

FIG. 5 is a bottom plan view of the truck bed cargo lift shown in FIG. 1, with the top surface in its lowered position; and,

FIG. 6 is a frontal elevational view of the truck bed cargo lift shown in FIG. 1, with the top surface in its raised position. The broken lines illustrate boundary lines of surfaces and a power tool as an environmental structure that form no part of the claimed design.

1 Claim, 5 Drawing Sheets



(56)

References Cited

U.S. PATENT DOCUMENTS

5,439,152 A * 8/1995 Campbell B60R 9/00
108/55.1
5,836,657 A * 11/1998 Tilley B60P 1/16
298/1 A
5,924,835 A * 7/1999 Ross B60P 3/062
224/402
D412,624 S * 8/1999 Bergenwall D6/392
6,196,634 B1 * 3/2001 Jurinek B60P 1/16
298/1 A
D475,678 S * 6/2003 Evans D12/400
6,659,524 B1 * 12/2003 Carlson B60P 1/003
296/26.09
6,676,220 B2 * 1/2004 Mistler B60P 1/28
298/1 A
D519,074 S * 4/2006 McAnally D12/406
7,090,287 B1 * 8/2006 Eberst B62D 33/0273
296/180.1
D558,097 S * 12/2007 Winter D12/101
7,533,921 B2 * 5/2009 Ferrell B60P 3/40
296/3
D624,005 S * 9/2010 Winner D12/412
D635,810 S * 4/2011 Boyer D6/566
8,398,136 B2 * 3/2013 Miles A47B 77/10
296/1.01
D689,816 S * 9/2013 Efthimiady' D13/102
D702,412 S * 4/2014 Dosso D34/35

8,746,804 B2 * 6/2014 Kraenzle B60P 1/6454
298/12
D764,740 S * 8/2016 Brotherton D34/35
9,409,526 B2 * 8/2016 Giamatti B60R 9/042
9,457,704 B2 * 10/2016 Williams B60P 3/07
D784,718 S * 4/2017 Bellingroth D6/382
D820,551 S * 6/2018 Brotherton D34/35
D849,666 S * 5/2019 Smith D12/414
D850,134 S * 6/2019 Kian D6/368
10,306,994 B2 * 6/2019 Barr A47C 19/025
2018/0208096 A1 * 7/2018 Lai B60P 1/003
2019/0168657 A1 * 6/2019 Lai B60P 1/4492

OTHER PUBLICATIONS

Truck Bed Slide-out Cargo Trays. It's Gorilla Tough!, 800toolbox.com, [online], [site visited Jul. 8, 2019]. <URL: http://www.800toolbox.com/gorilla/gorilla_slide.htm> (Year: 2019).*

Tuexedo Platform Lift, NorthernTool.com, [online], [site visited Jul. 8, 2019]. <URL: https://www.northerntool.com/shop/tools/product_200715980_200715980?cm_mmc=Google-pla&utm_source=Google_PLA&utm_medium=Automotive%20%3E%20Automotive%20Lifts&utm_campaign=Automotive%20%3E%20Automotive%20Lifts> (Year: 2019).*

The RAMPAGE Power Lift Ramps, MotorcycleTrailer.com, [online], [site visited Jul. 8, 2019]. <URL: <https://motorcycletrailer.com/rampage/>> (Year: 2019).*

* cited by examiner

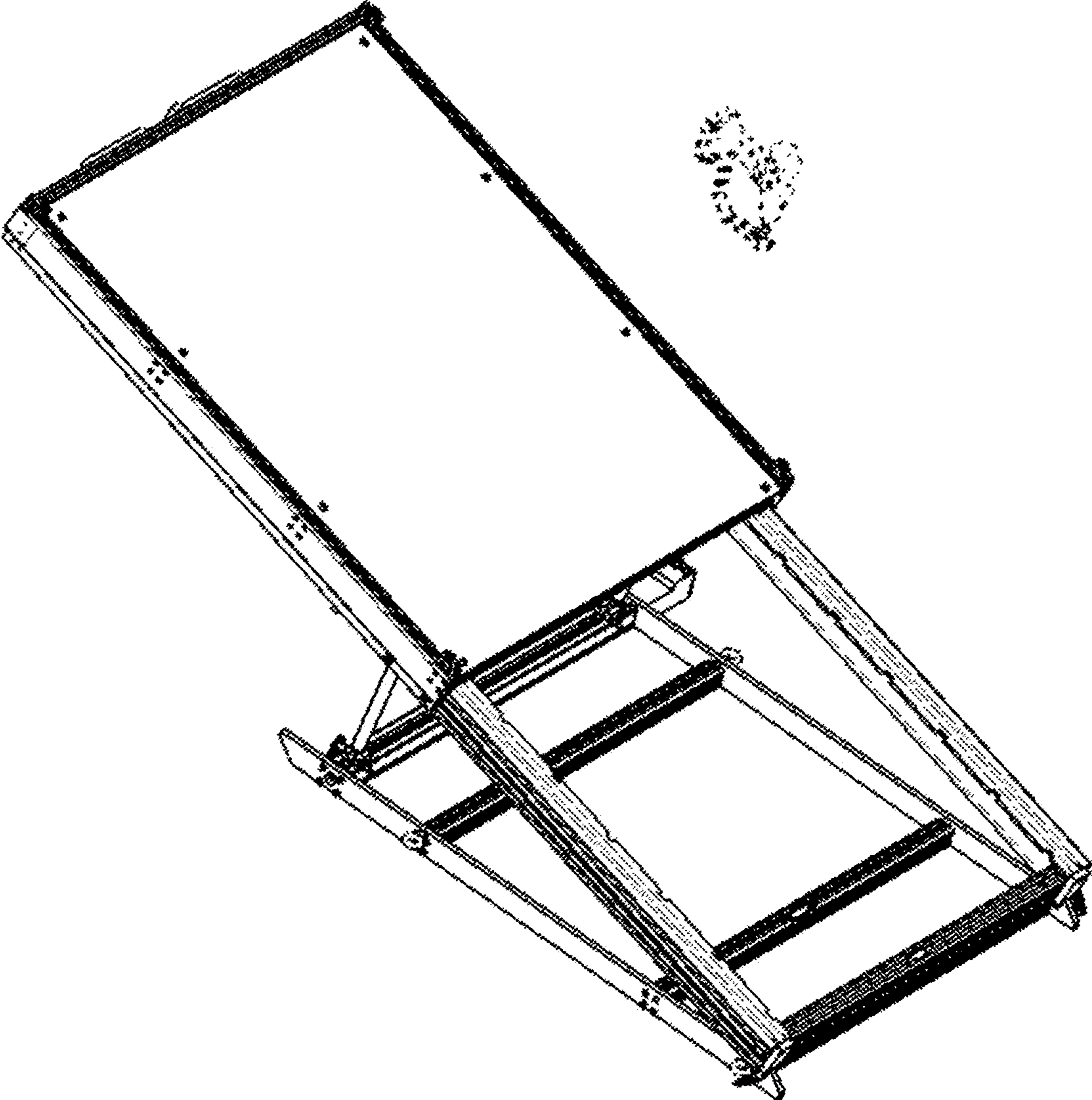


FIG. 1

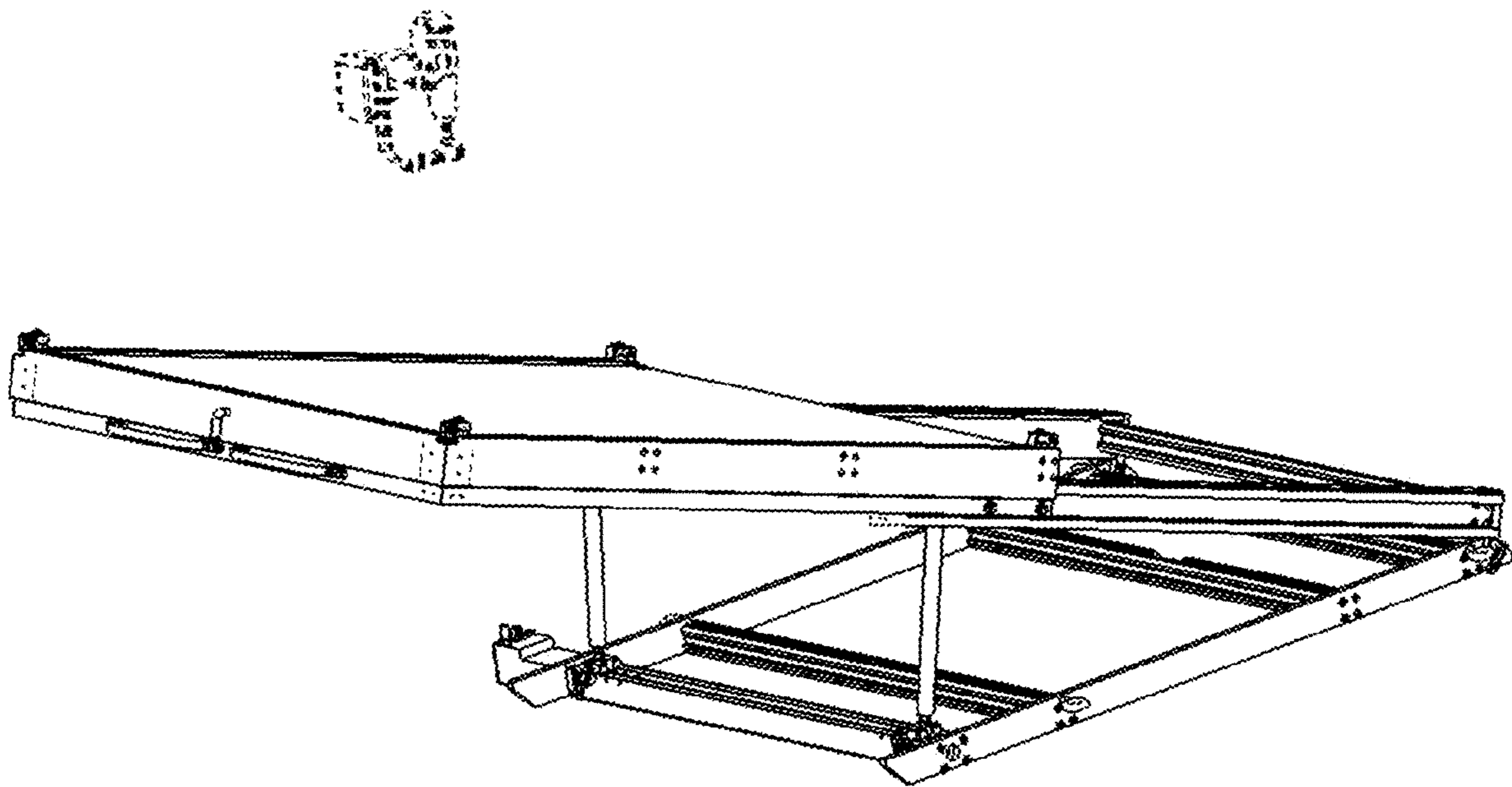


FIG. 2

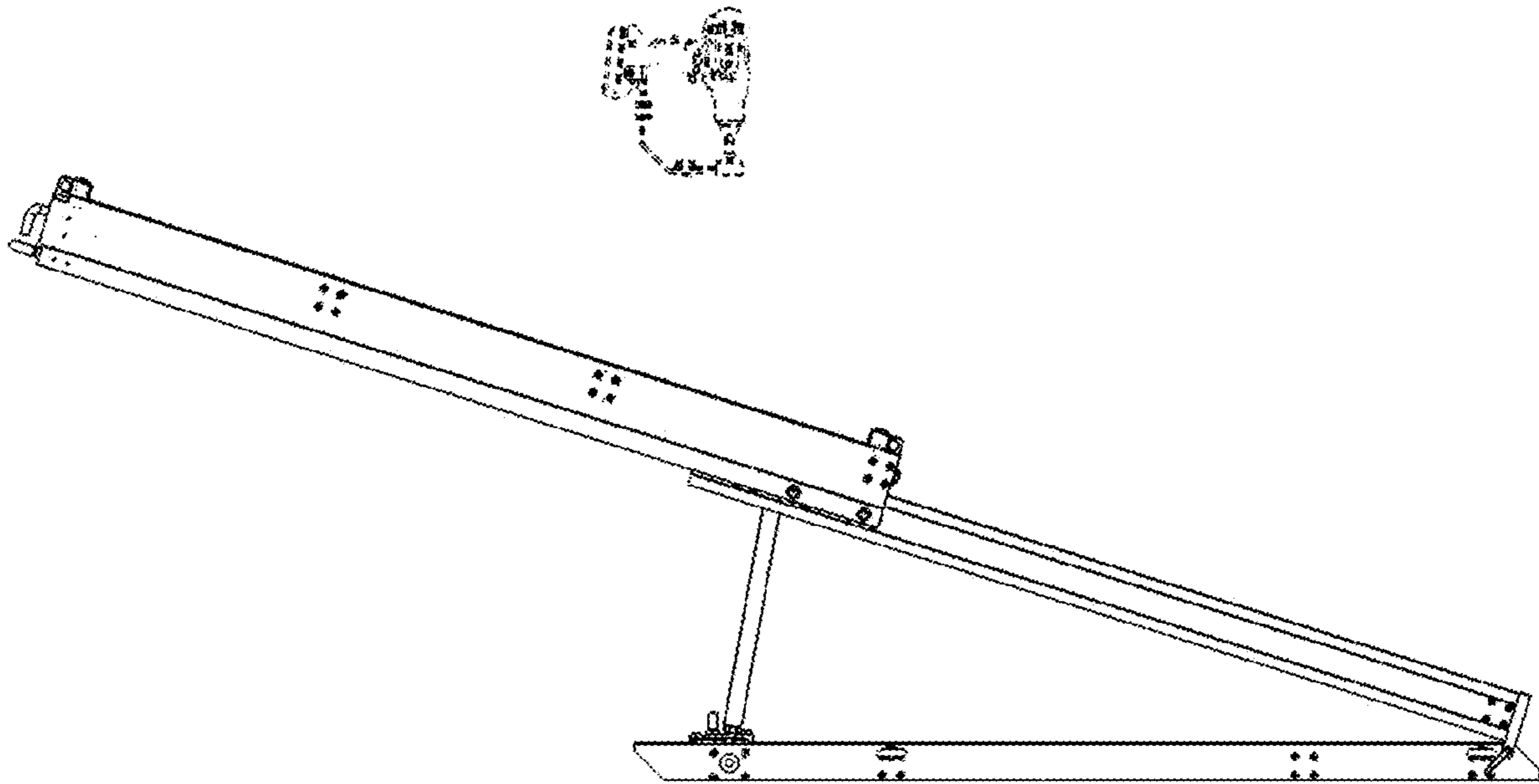


FIG. 3

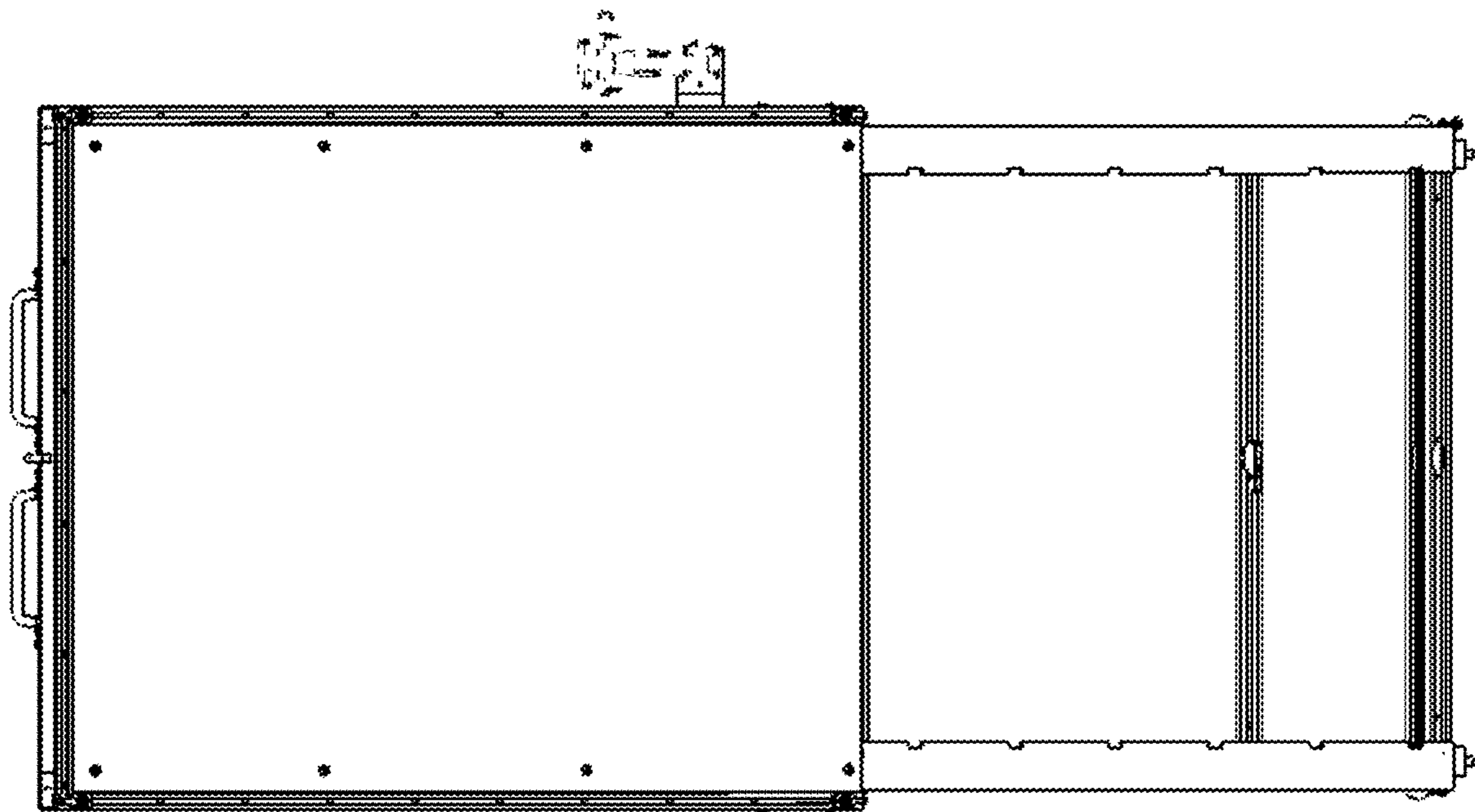


FIG. 4

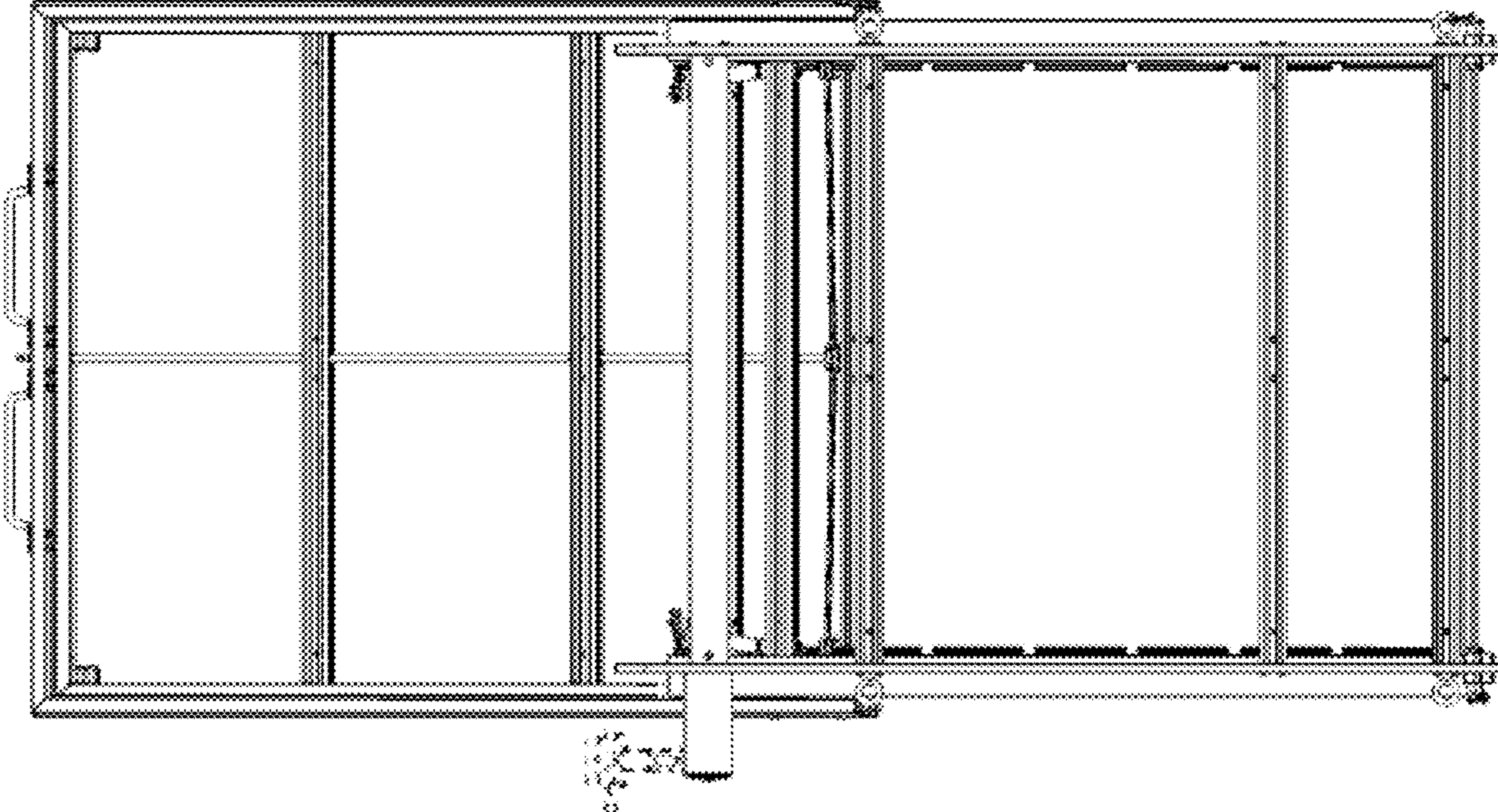


FIG. 5

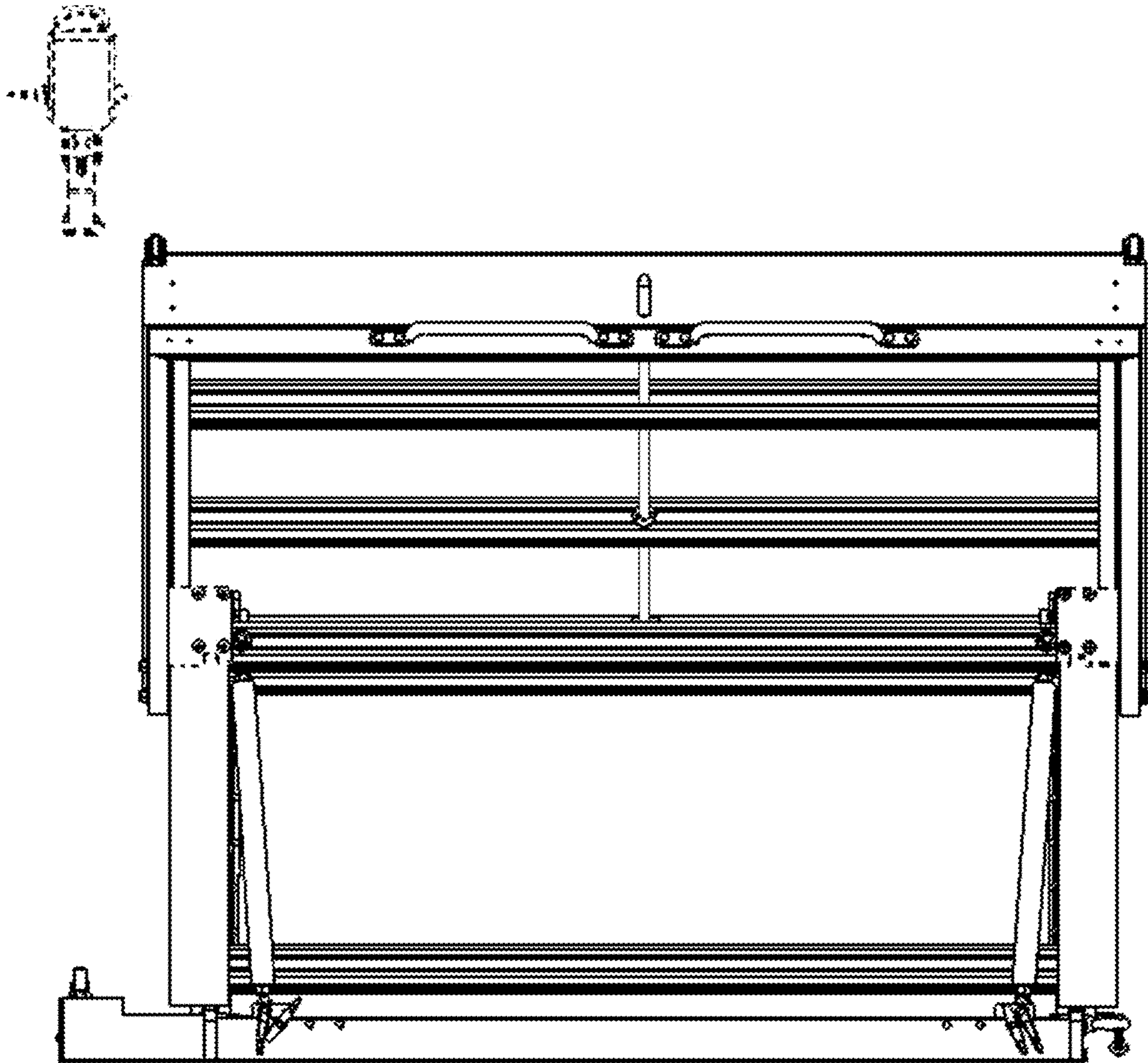


FIG. 6