



US00D887952S

(12) **United States Design Patent**
Cho et al.

(10) **Patent No.:** **US D887,952 S**
(45) **Date of Patent:** **** Jun. 23, 2020**

- (54) **TONNEAU CARGO COVER FOR AN AUTOMOBILE**
- (71) Applicants: **Dong Souck Shin**, Pyeongtaek-si (KR); **Hyundai Motor Company**, Seoul (KR); **Kia Motors Corporation**, Seoul (KR)
- (72) Inventors: **Jang Hyun Cho**, Seongnam-si (KR); **Hee Cheol Kim**, Seoul (KR); **Chang Mo Seong**, Suwon-si (KR)
- (73) Assignees: **Hyundai Motor Company**, Seoul (KR); **Kia Motors Corporation**, Seoul (KR); **Dong Souck Shin**, Pyeongtaek-si, Gyeonggi-do (KR)

2,551,052 A *	5/1951	Quish	B60J 11/08
			160/370.21
2,778,676 A *	1/1957	Francis	B60J 11/08
			296/95.1
3,046,048 A *	7/1962	Cheney	B60J 11/08
			296/95.1
4,049,036 A *	9/1977	Gebhardt	B60J 11/08
			150/168
4,811,982 A *	3/1989	Carlyle	B60J 11/08
			296/95.1
5,211,438 A *	5/1993	Snow	B60J 11/08
			150/168
D390,185 S *	2/1998	Smith	E05D 5/0207
			D12/221
D391,541 S *	3/1998	Woods	D12/183
5,954,384 A *	9/1999	Jones	B60J 11/08
			280/748
6,125,488 A *	10/2000	Vogland	A47C 23/00
			248/345.1
D444,762 S *	7/2001	Werle	B60J 11/08
			D12/401
D472,859 S *	4/2003	Cullen	D12/182

- (**) Term: **15 Years**
- (21) Appl. No.: **35/506,860**
- (22) Filed: **May 9, 2018**

- (80) **Hague Agreement Data**
- Int. Filing Date: **May 9, 2018**
- Int. Reg. No.: **DM/201078**
- Int. Reg. Date: **May 9, 2018**
- Int. Reg. Pub. Date: **May 31, 2019**
- (51) **LOC (12) Cl.** **12-16**
- (52) **U.S. Cl.**
- USPC **D12/401**
- (58) **Field of Classification Search**
- USPC D12/401-405
- CPC . B60J 11/08; B60J 11/06; A47C 31/10; E06B 9/54
- See application file for complete search history.

- (56) **References Cited**
- U.S. PATENT DOCUMENTS
- 2,119,072 A * 5/1938 Cohen B60J 11/06 280/770
- D158,184 S * 4/1950 Edlund et al. D12/182

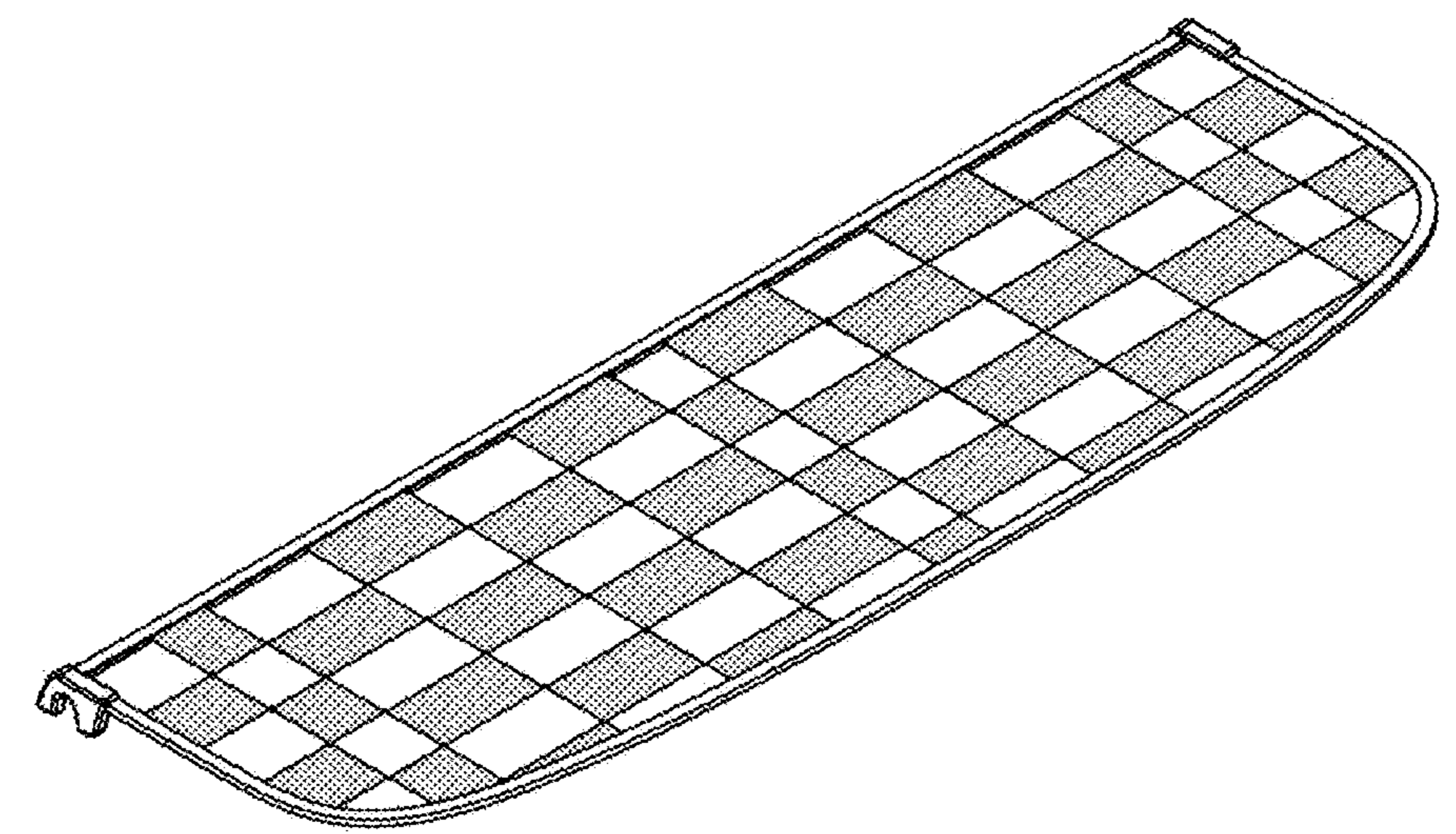
Primary Examiner — George D. Kirschbaum
Assistant Examiner — Calvin E Vansant
 (74) *Attorney, Agent, or Firm* — Mintz Levin Cohn Ferris Glovsky and Popeo, P.C.; Peter F. Corless; Carolina E. Säve

(57) **CLAIM**
 The ornamental design for a tonneau cargo cover for an automobile, as shown and described.

DESCRIPTION

1. Tonneau cargo cover for an automobile
 1.1 is a right rear perspective view.
 1.2 is rear view.
 1.3 is a front view.
 1.4 is a right view.
 1.5 is a left view.
 1.6 is a top plan view.
 1.7 is a bottom plan view.

1 Claim, 7 Drawing Sheets



(56)

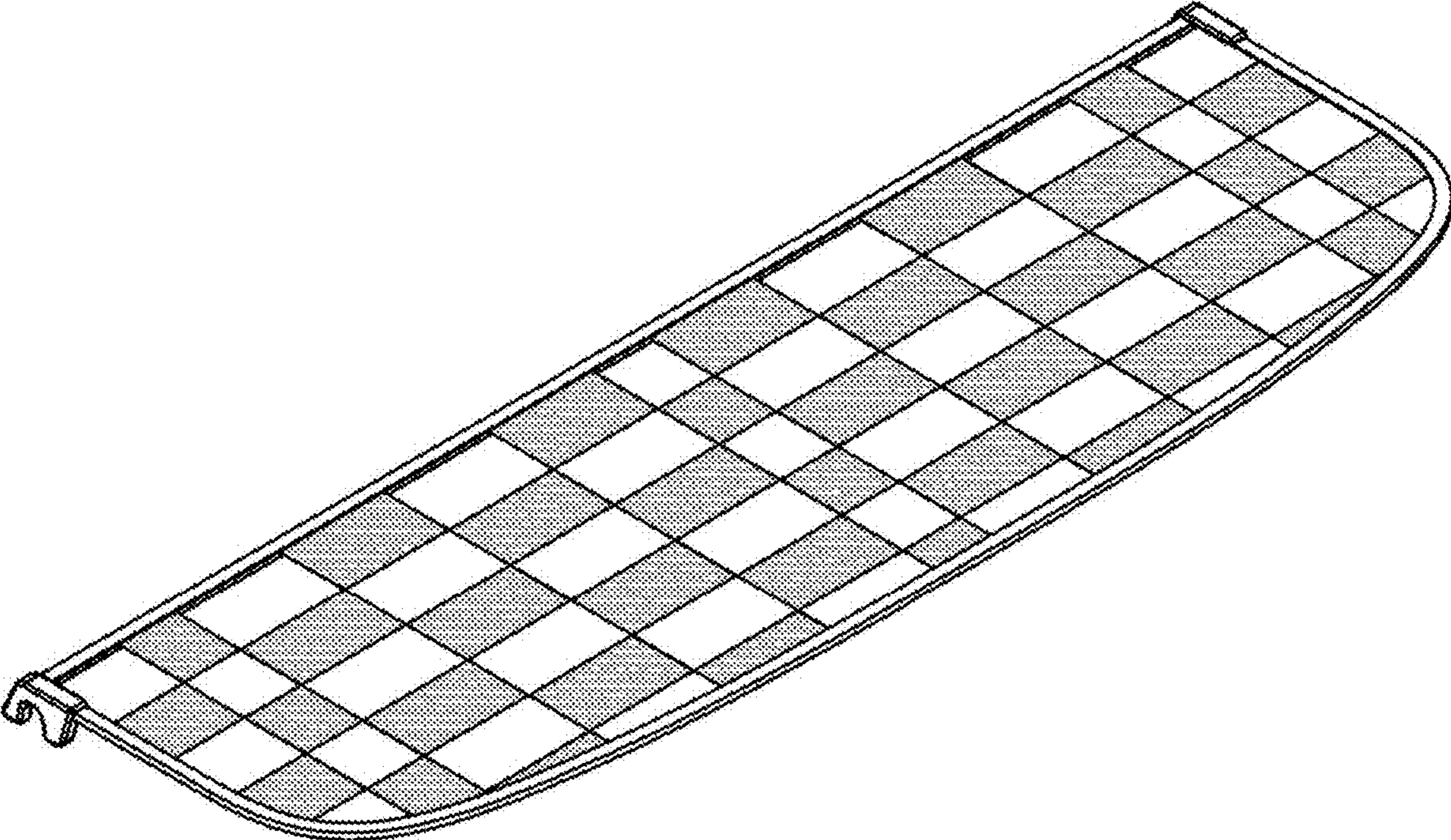
References Cited

U.S. PATENT DOCUMENTS

D511,235 S * 11/2005 Skolnick D99/30
7,475,928 B1 * 1/2009 Clum B60R 21/00
280/748
D687,760 S * 8/2013 Gros D12/401
D696,842 S * 1/2014 Randolph D2/882
D719,882 S * 12/2014 Brown D12/183
9,562,381 B2 * 2/2017 Agnew E05D 5/0207
D784,906 S * 4/2017 van Kempen D12/402
D863,196 S * 10/2019 Ariay B60R 21/00
D12/401
2010/0019479 A1 * 1/2010 Haynes B60J 11/06
280/770

* cited by examiner

1.1



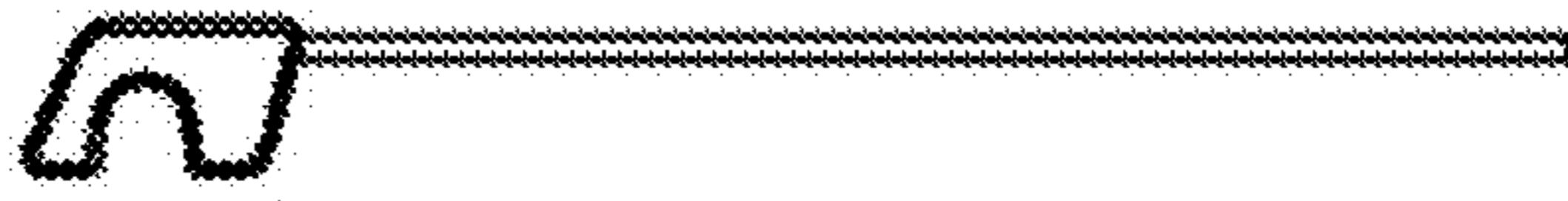
1.2



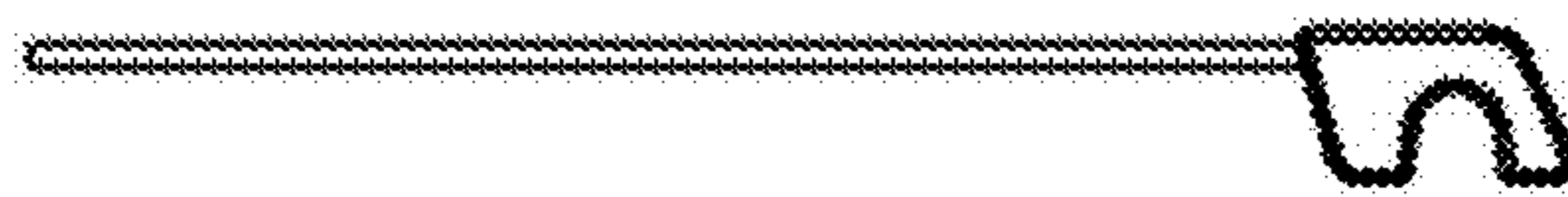
1.3



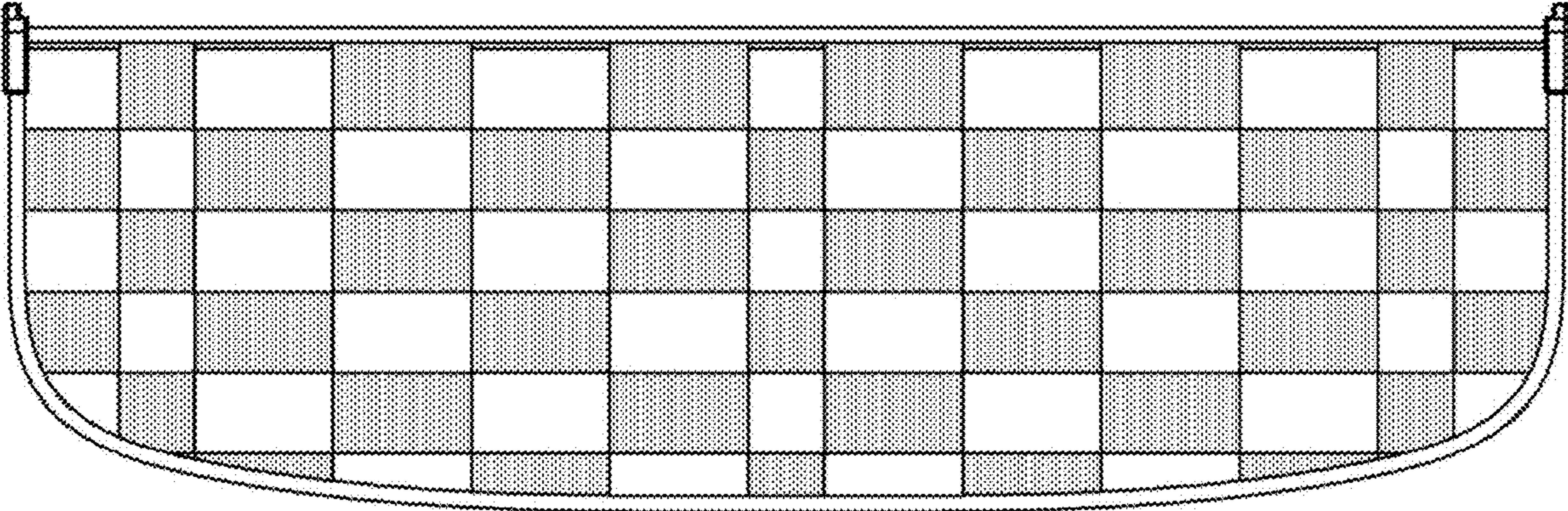
1.4



1.5



1.6



1.7

