



US00D887948S

(12) **United States Design Patent**
Loveland et al.

(10) **Patent No.:** **US D887,948 S**
(45) **Date of Patent:** **** Jun. 23, 2020**

(54) **AIRCRAFT**

D761,690 S * 7/2016 Friesmuth D12/16.1
D776,569 S * 1/2017 Baruchin D12/16.1
D776,570 S * 1/2017 Baruchin D12/16.1

(71) Applicant: **Bell Helicopter Textron Inc.**, Fort Worth, TX (US)

(Continued)

(72) Inventors: **Steven Loveland**, Fort Worth, TX (US);
Paul Charles Griffiths, Roanoke, TX (US);
Allen Brittain, Flower Mound, TX (US)

Primary Examiner — Marissa J Cash

(74) *Attorney, Agent, or Firm* — Lightfoot & Alford PLLC

(73) Assignee: **Bell Helicopter Textron Inc.**, Fort Worth, TX (US)

(57) **CLAIM**

The ornamental design for an aircraft, as shown and described.

(**) Term: **15 Years**

DESCRIPTION

(21) Appl. No.: **29/675,586**

FIG. 1 is an oblique view of an aircraft having a plurality of ducted fans configured in a first position.

(22) Filed: **Jan. 3, 2019**

FIG. 2 is a front elevational view of the aircraft as configured in FIG. 1.

(51) **LOC (12) Cl.** **12-02**

FIG. 3 is a rear elevational view of the aircraft as configured in FIG. 1.

(52) **U.S. Cl.**
USPC **D12/328**

FIG. 4 is a left side elevational view of the aircraft as configured in FIG. 1.

(58) **Field of Classification Search**
USPC D12/1, 2, 3, 4, 16.1, 319–345;
D21/437–455

FIG. 5 is a right side elevational view of the aircraft as configured in FIG. 1.

CPC B64C 29/0033; B64C 2201/021; B64C 29/02; B64C 2201/088; B64C 2201/104; B64C 2201/141

FIG. 6 is a top plan view of the aircraft as configured in FIG. 1.

See application file for complete search history.

FIG. 7 is a bottom plan view of the aircraft as configured in FIG. 1.

FIG. 8 is an oblique view of the aircraft of FIG. 1 having the ducted fans configured in a second position.

FIG. 9 is a front elevational view of the aircraft as configured in FIG. 8.

(56) **References Cited**

U.S. PATENT DOCUMENTS

D189,562 S * 1/1961 Nelson D12/330
D193,369 S * 8/1962 Walker D12/330
D454,109 S * 3/2002 Moshier D12/319
D634,257 S * 3/2011 Alexander D12/326
D678,169 S * 3/2013 Kennelly D12/319
D684,642 S * 6/2013 Li D12/328
D695,205 S * 12/2013 Guzman D12/326
D696,618 S * 12/2013 Wang D12/326
D741,247 S * 10/2015 Brody D12/326
D751,025 S * 3/2016 Howell D12/16.1

FIG. 10 is a rear elevational view of the aircraft as configured in FIG. 8.

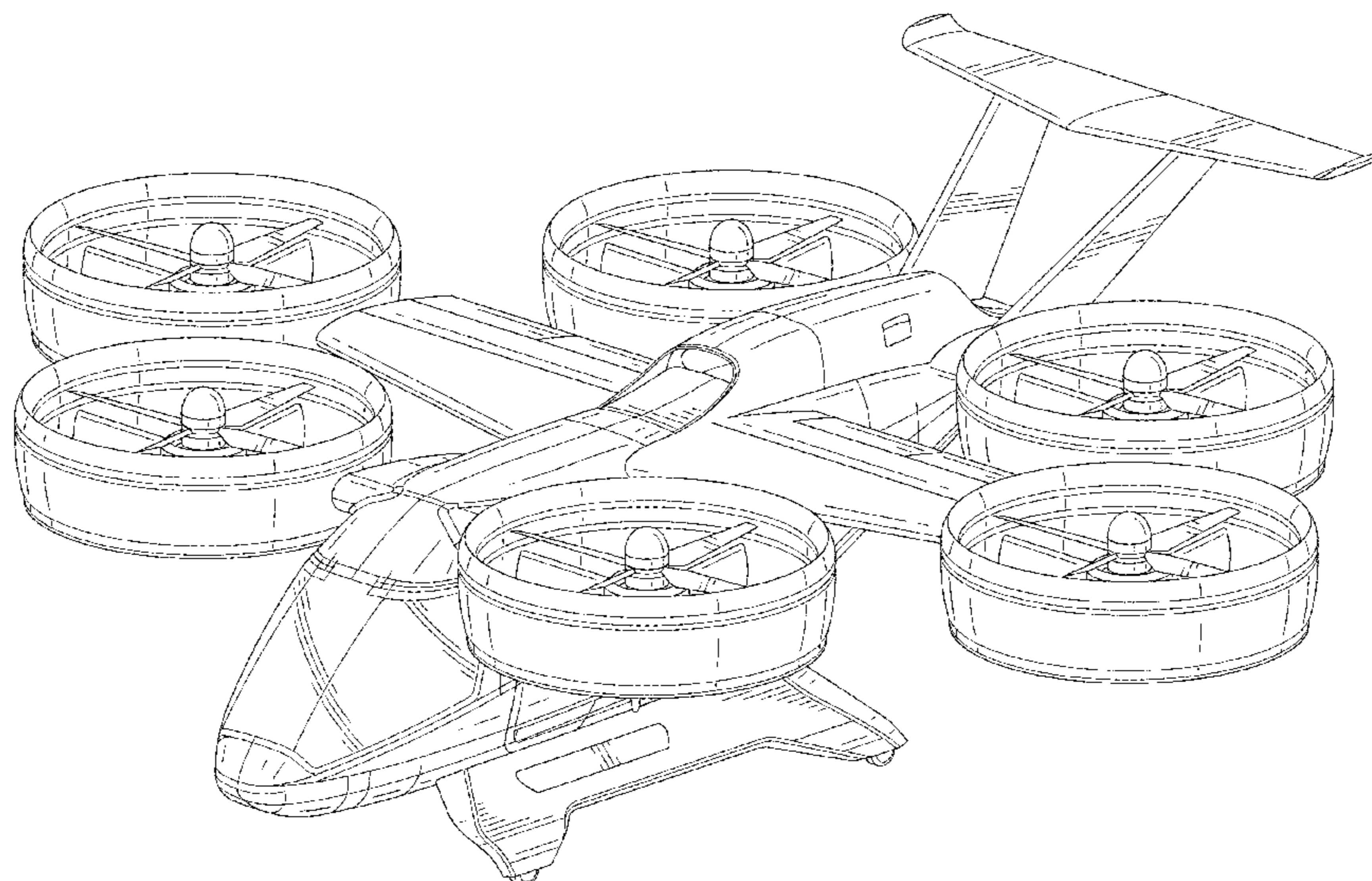
FIG. 11 is a left side elevational view of the aircraft as configured in FIG. 8.

FIG. 12 is a right side elevational view of the aircraft as configured in FIG. 8.

FIG. 13 is a top plan view of the aircraft as configured in FIG. 8; and,

FIG. 14 is a bottom plan view of the aircraft as configured in FIG. 8.

1 Claim, 14 Drawing Sheets



(56)

References Cited

U.S. PATENT DOCUMENTS

D779,595 S * 2/2017 Xiao D12/16.1
D801,856 S * 11/2017 Zhou D12/16.1
D803,724 S * 11/2017 Zhou D12/16.1
D814,350 S * 4/2018 Joo D12/16.1
D816,583 S * 5/2018 Duterte D12/328
D817,812 S * 5/2018 Whitten, Jr. D12/16.1
9,963,228 B2 * 5/2018 McCullough B64C 11/28
D822,579 S * 7/2018 Lienhard D12/328
D843,304 S * 3/2019 MacAndrew D12/319
D843,305 S * 3/2019 MacAndrew D12/319
D843,919 S * 3/2019 Tzarnotzky D12/329
D850,357 S * 6/2019 Cummings D12/326
10,317,914 B2 * 6/2019 Douglas B64C 29/0008
10,414,483 B2 * 9/2019 Ivans B64C 1/30
10,421,541 B2 * 9/2019 Groninga B64C 3/385
D862,361 S * 10/2019 Corning D12/330
D866,394 S * 11/2019 Shih D12/16.1
D868,668 S * 12/2019 Parvizian D12/328
D872,004 S * 1/2020 Nunes D12/328
D872,681 S * 1/2020 Tzarnotzky D12/329
D873,200 S * 1/2020 Langford, III D12/319
D873,201 S * 1/2020 Langford, III D12/319
D873,202 S * 1/2020 Tzarnotzky D12/329
2012/0012692 A1 * 1/2012 Kroo B64C 3/56
244/6
2012/0234968 A1 * 9/2012 Smith B64C 29/0033
244/12.3
2017/0174336 A1 * 6/2017 Baba B64C 1/30
2017/0369162 A1 * 12/2017 Alzahrani B64C 29/0033
2018/0057157 A1 * 3/2018 Groninga B64C 27/82

* cited by examiner

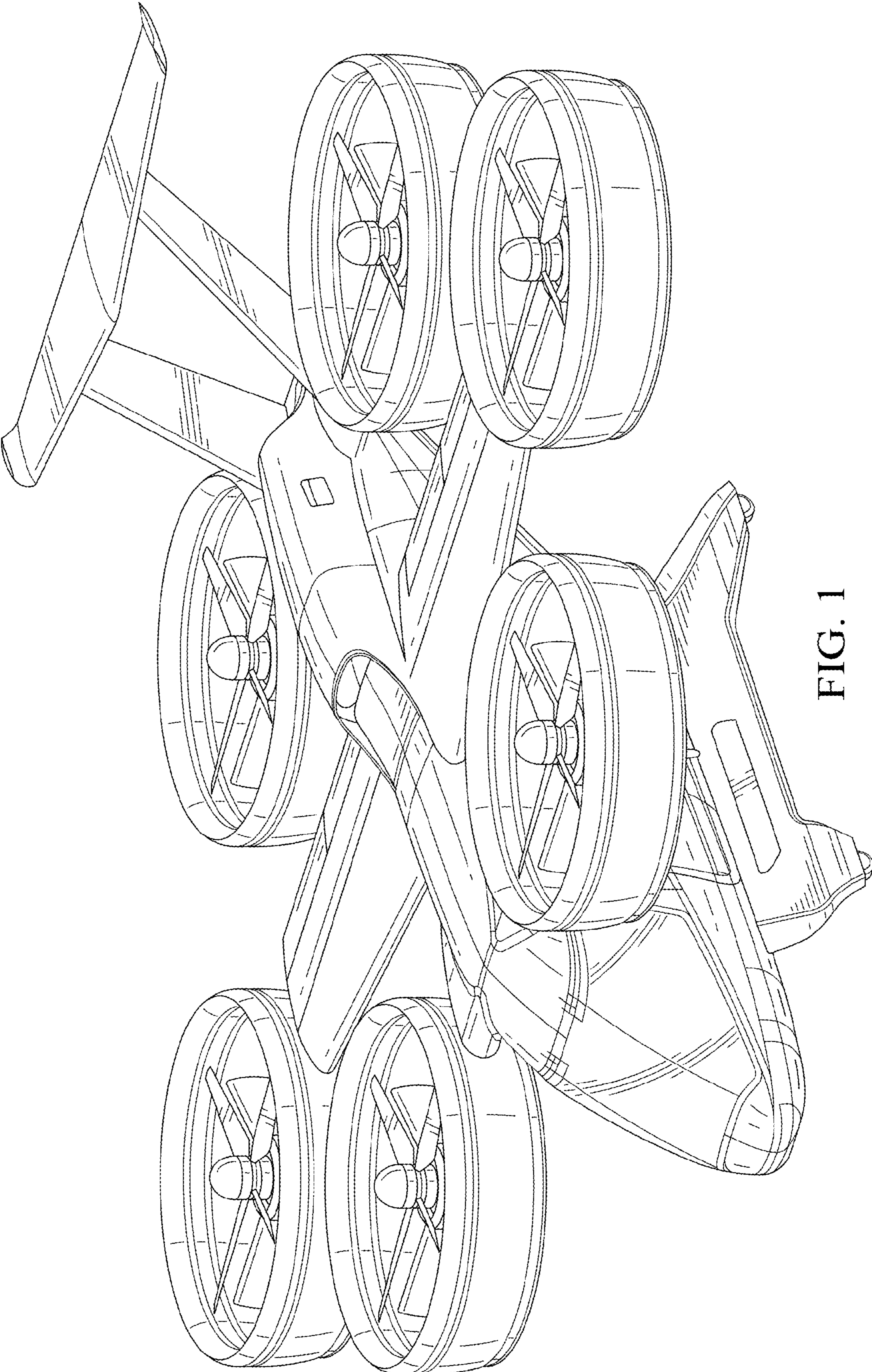


FIG. 1

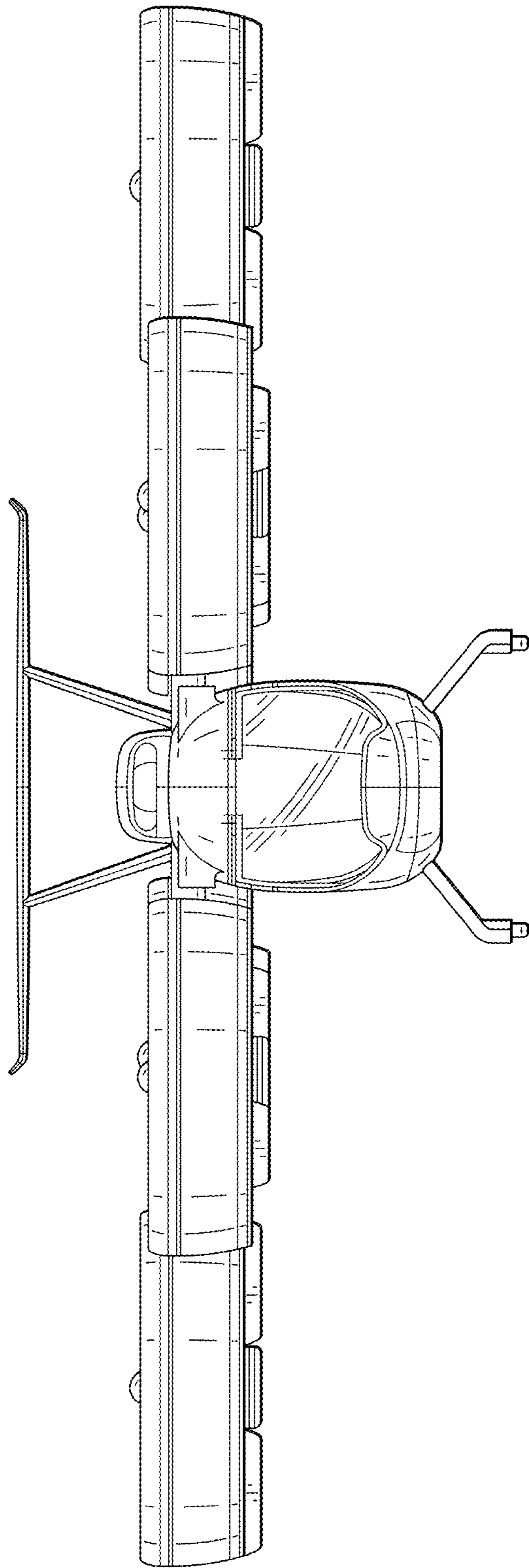


FIG. 2

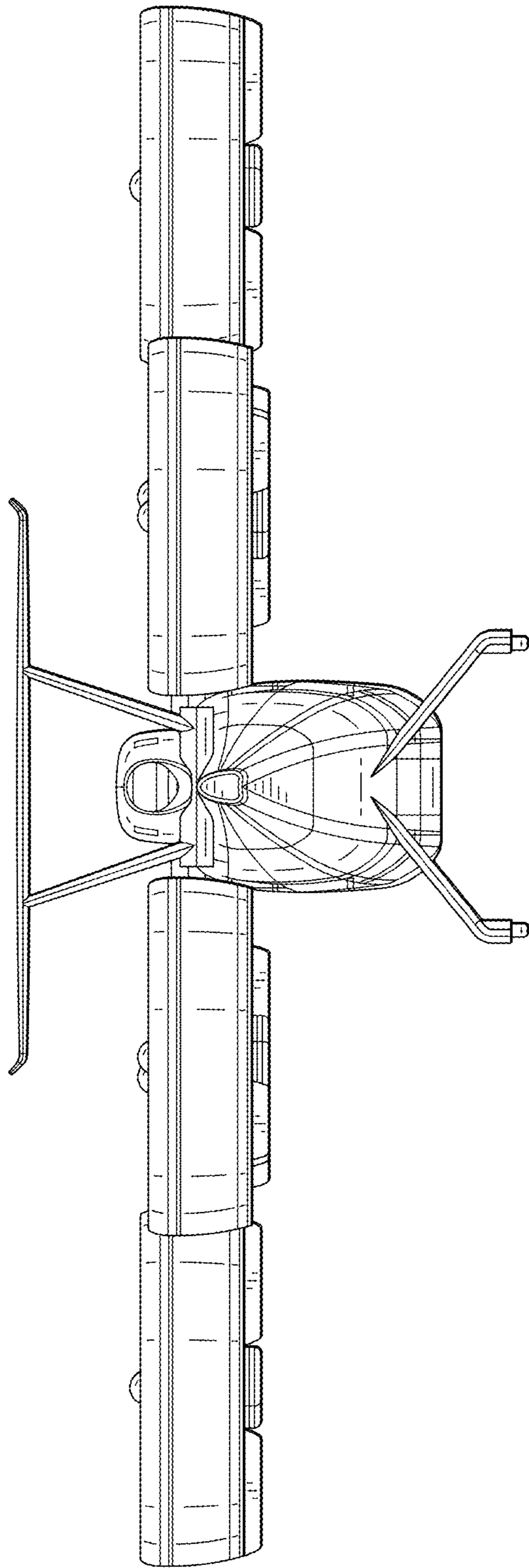


FIG. 3

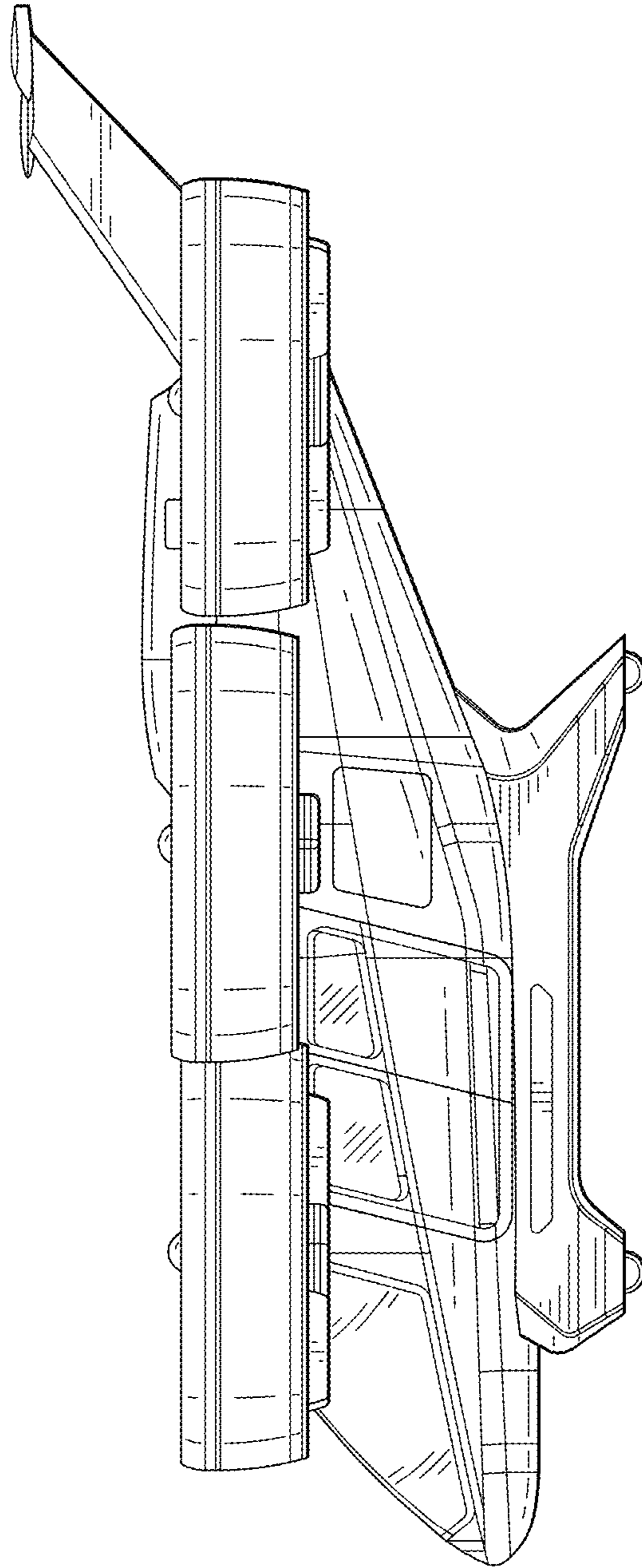


FIG. 4

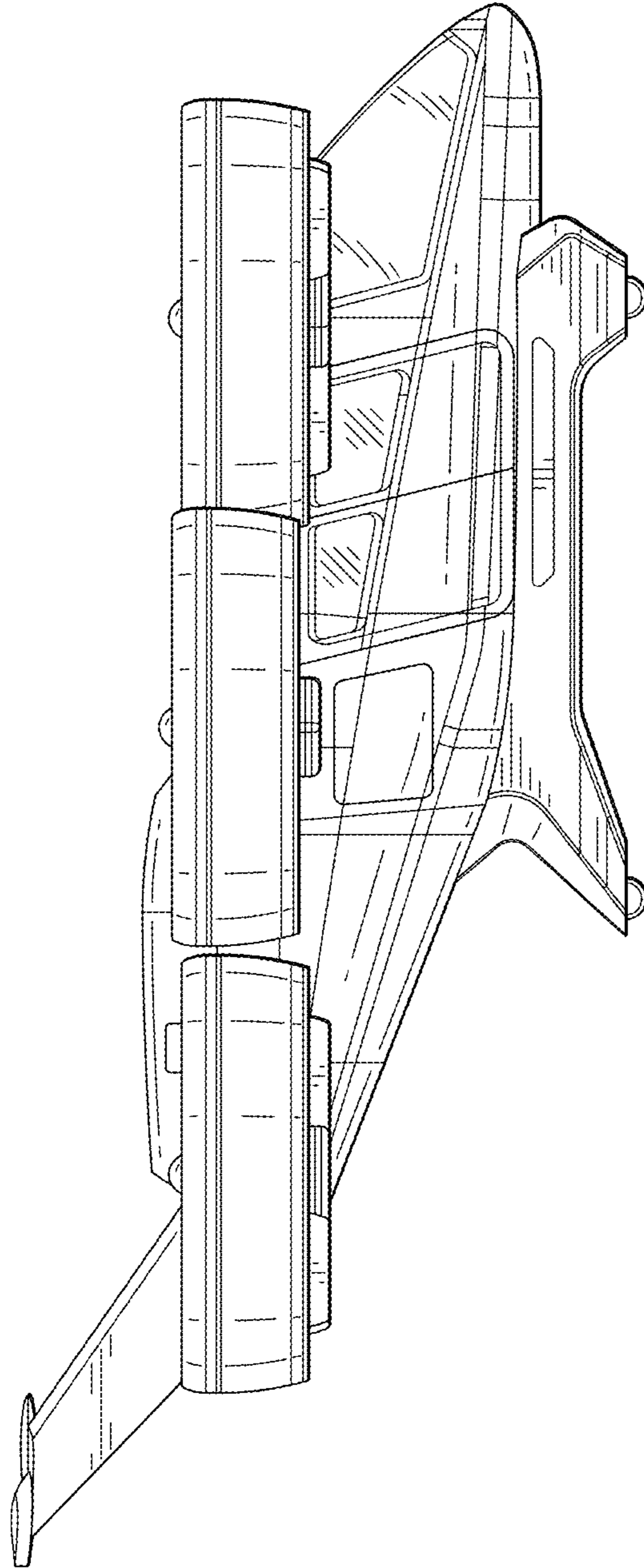


FIG. 5

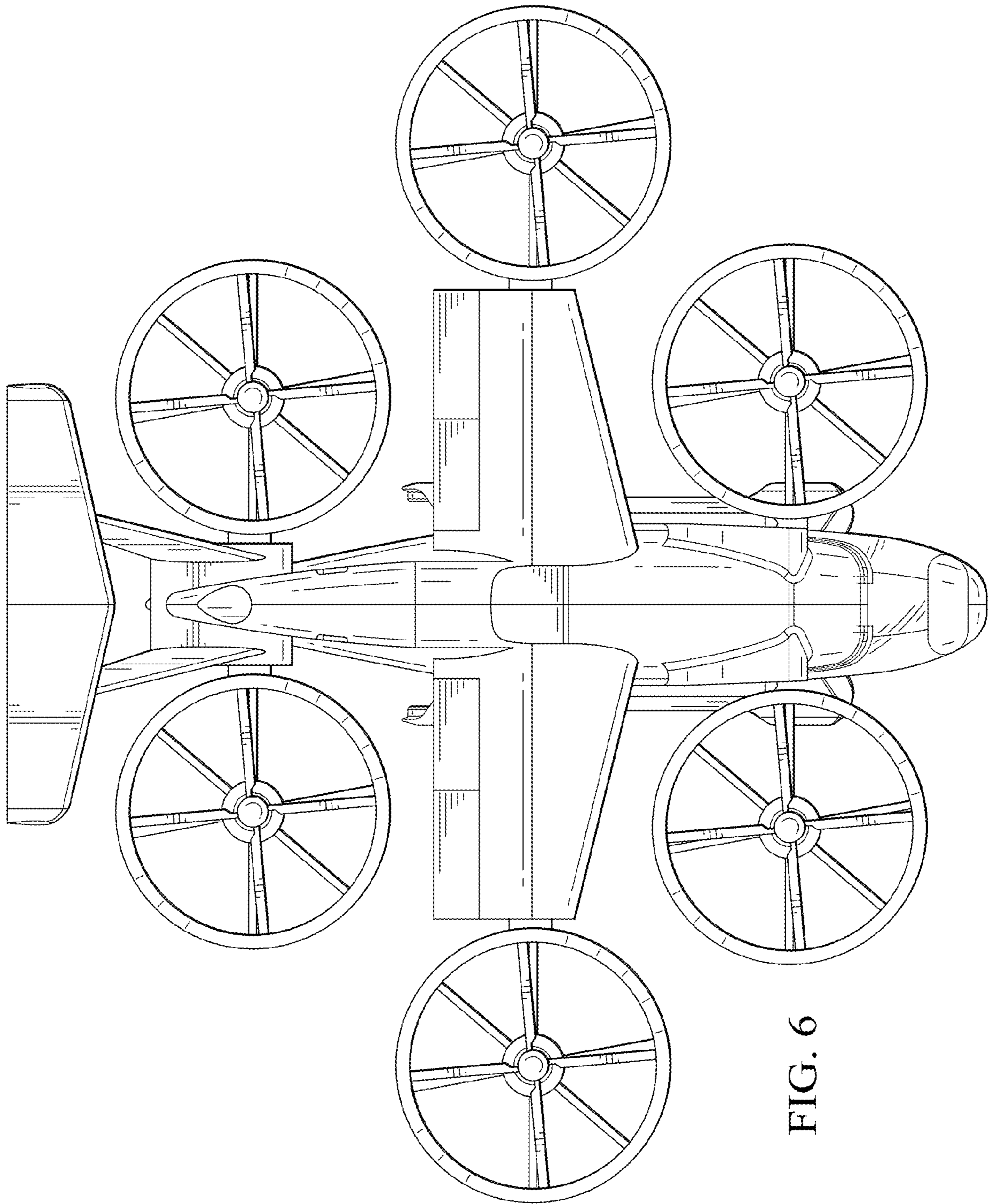


FIG. 6

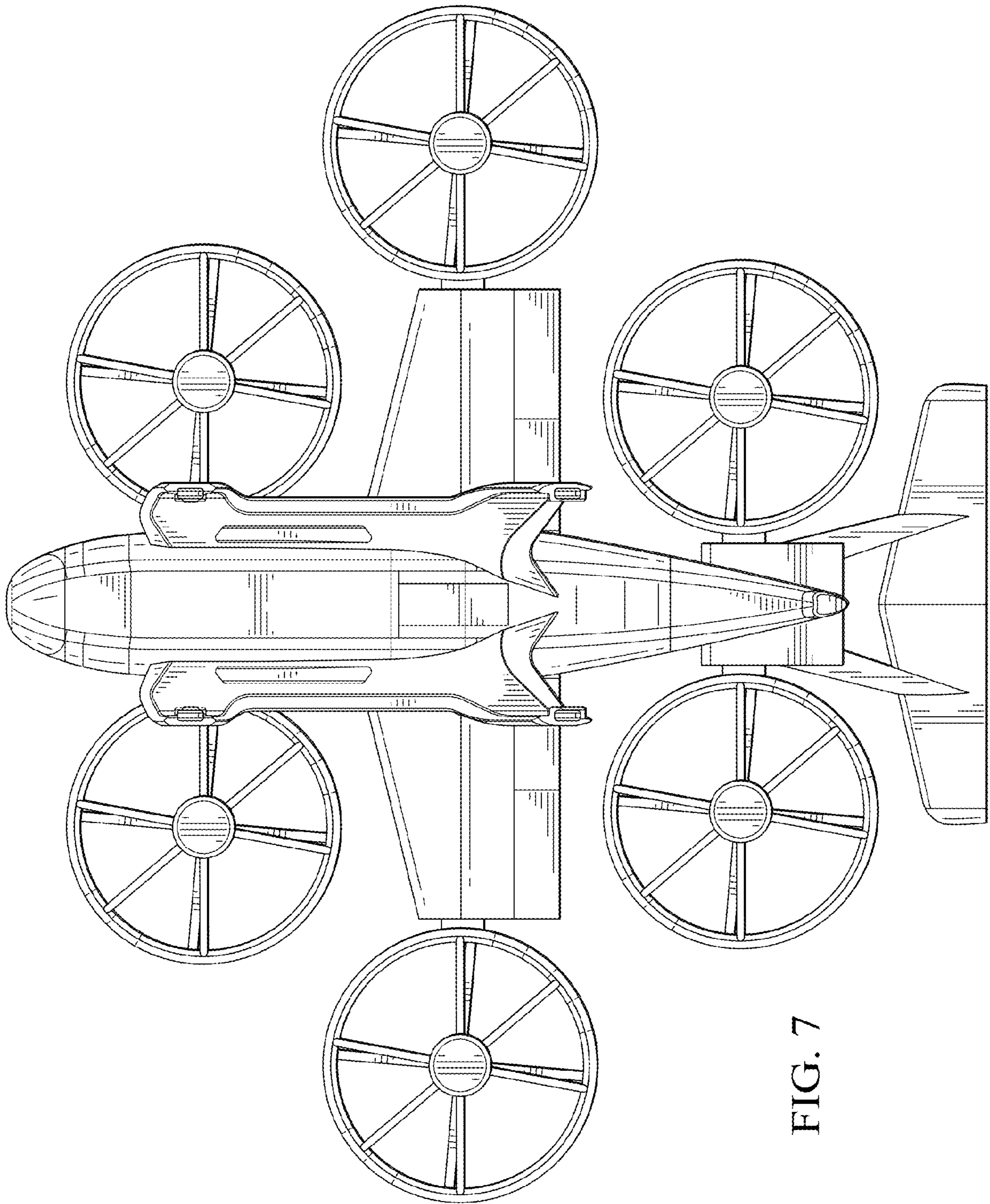


FIG. 7

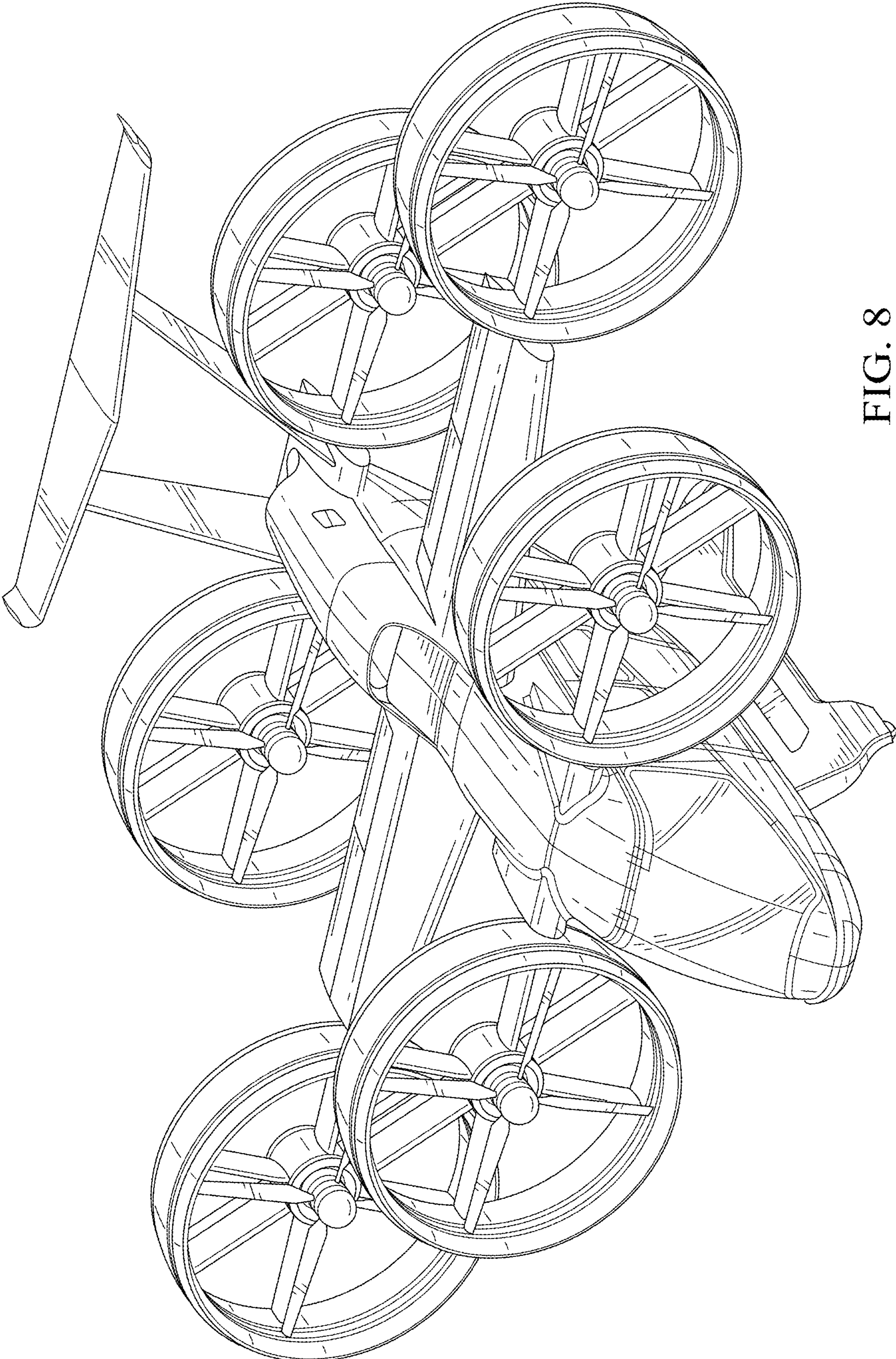


FIG. 8

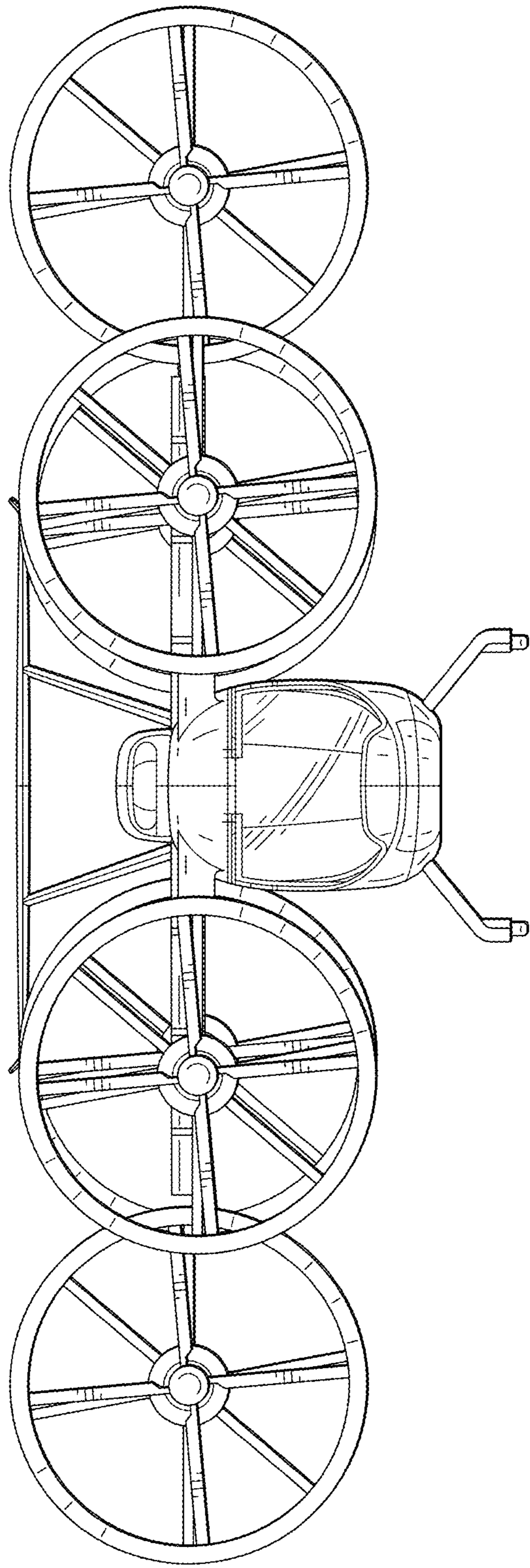


FIG. 9

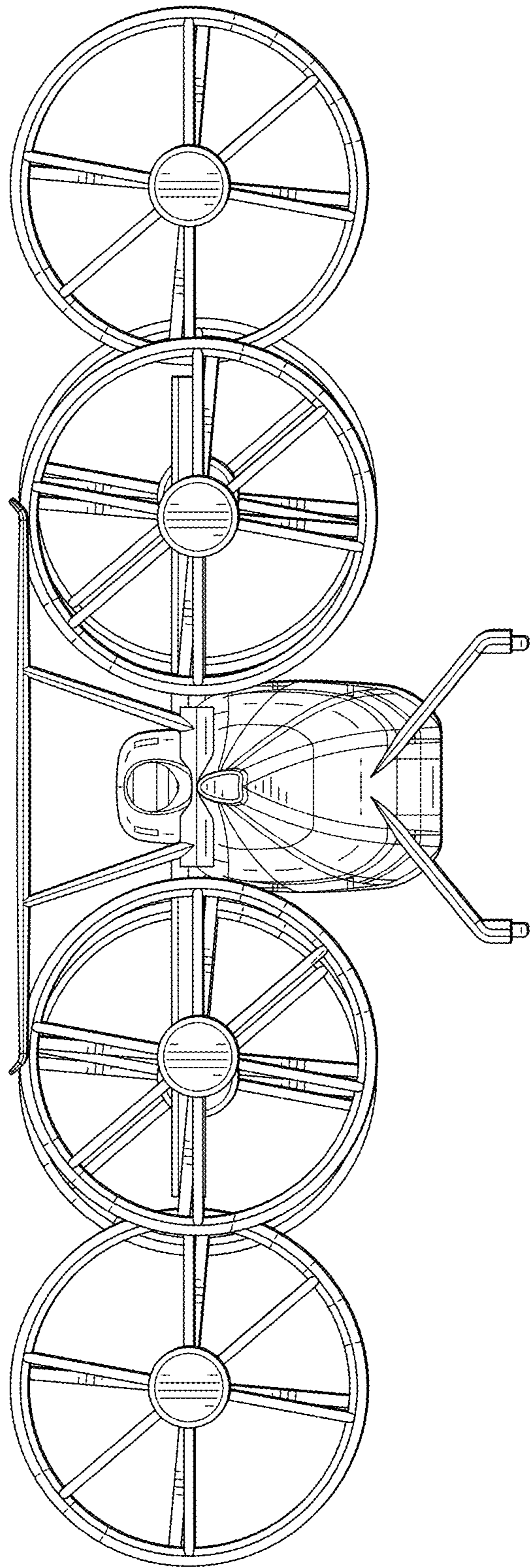


FIG. 10

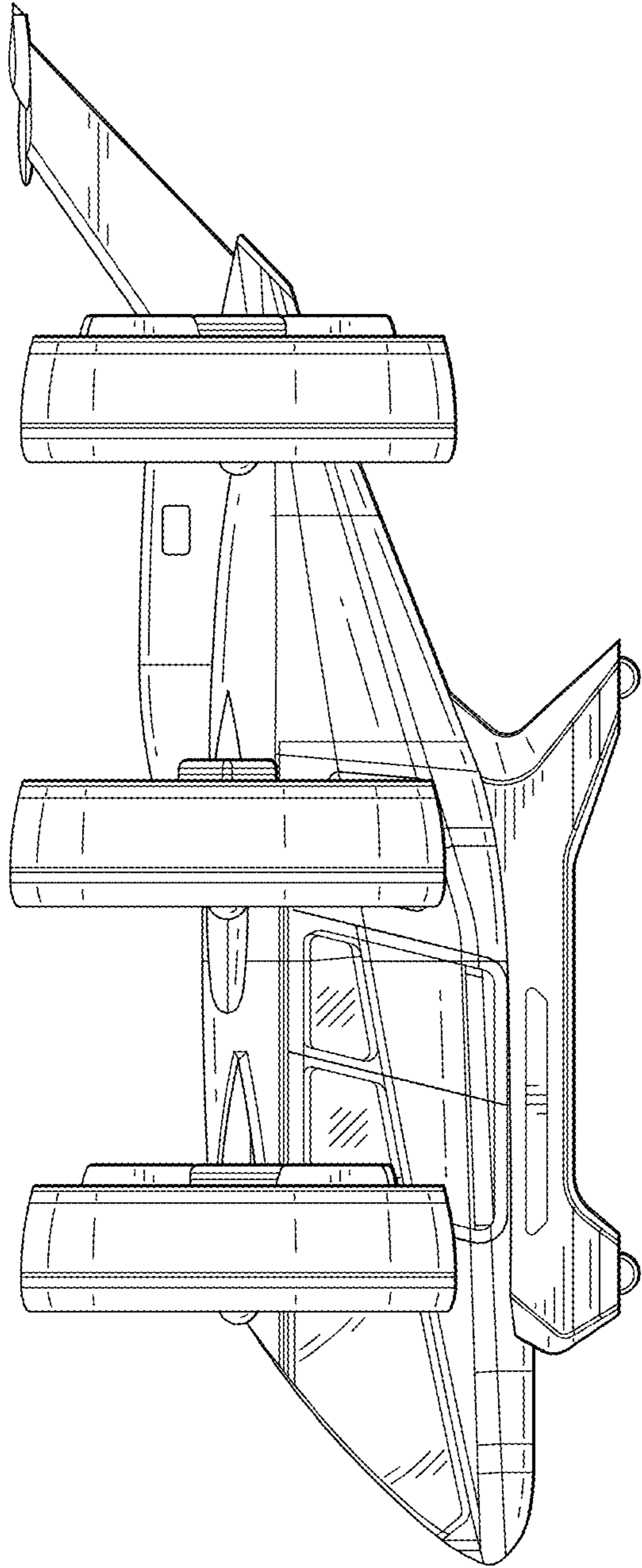


FIG. 11

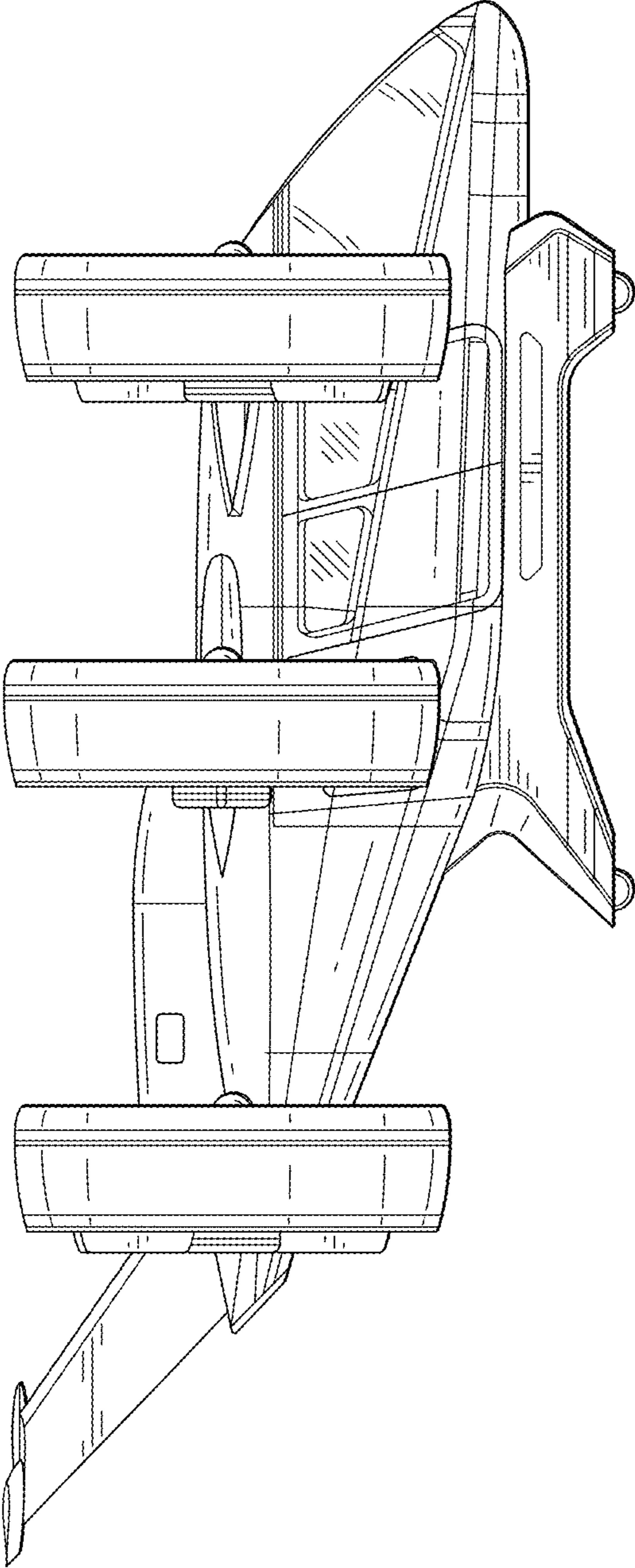


FIG. 12

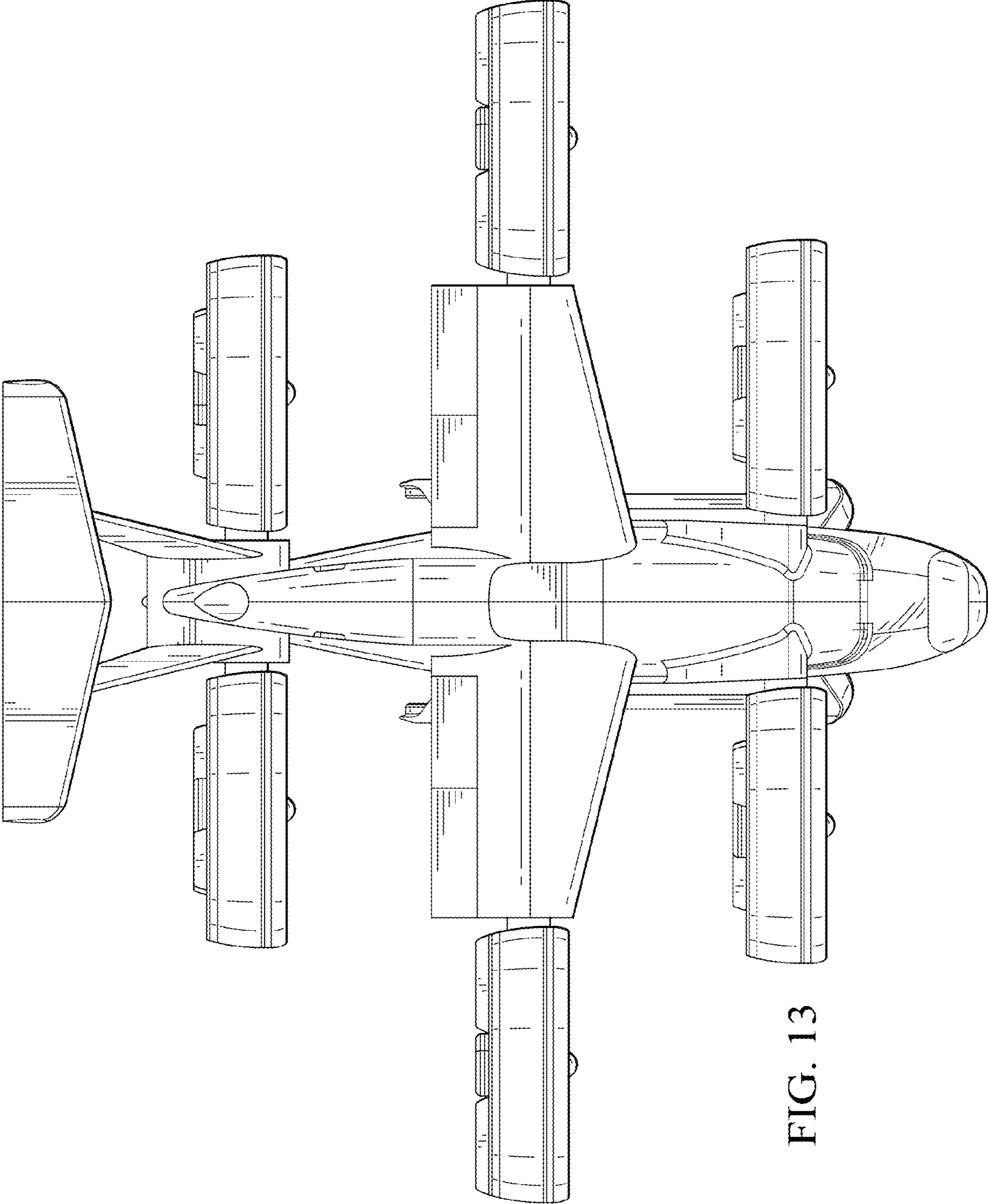


FIG. 13

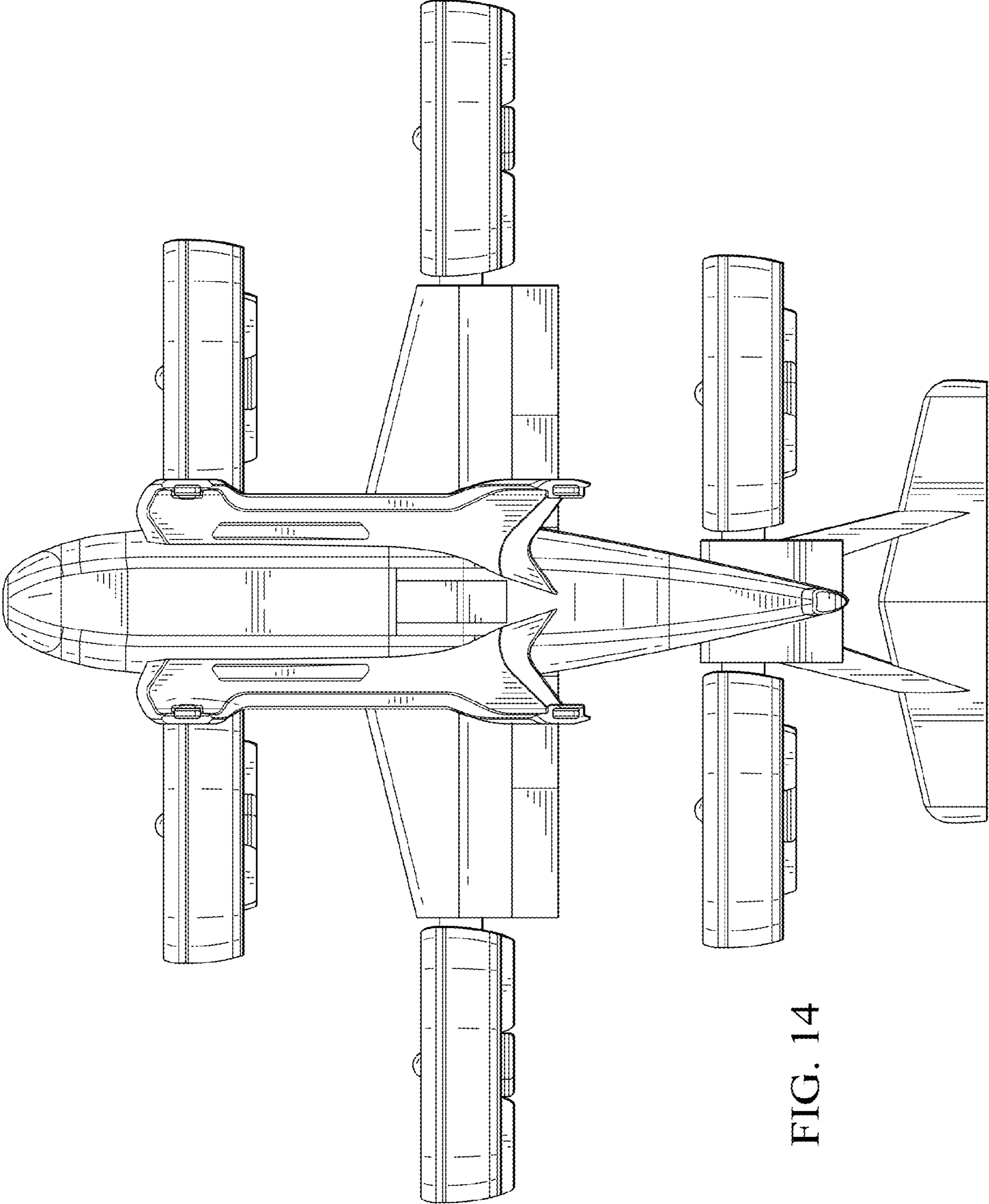


FIG. 14