



US00D887947S

(12) **United States Design Patent**  
**Ma**

(10) **Patent No.:** **US D887,947 S**  
(45) **Date of Patent:** **\*\* Jun. 23, 2020**

(54) **SWIMMING BOOSTER**

(71) Applicant: **Hongliang Ma**, Lishui (CN)

(72) Inventor: **Hongliang Ma**, Lishui (CN)

(\*\*) Term: **15 Years**

(21) Appl. No.: **29/715,226**

(22) Filed: **Nov. 29, 2019**

(30) **Foreign Application Priority Data**

Nov. 26, 2019 (CN) ..... 2019 3 0653084

(51) **LOC (12) Cl.** ..... **12-06**

(52) **U.S. Cl.**  
USPC ..... **D12/308**

(58) **Field of Classification Search**  
USPC ..... D12/308, 317; D21/801  
CPC ..... B63C 11/00; B63C 11/34; B63C 11/46;  
B63C 2011/028; A63B 35/00; A63B  
35/08; A63B 35/10; A63B 35/12  
See application file for complete search history.

(56) **References Cited**

**U.S. PATENT DOCUMENTS**

D242,615 S *	12/1976	Henning	.....	D12/308
6,000,978 A *	12/1999	Donahue	.....	A63B 35/125 114/315
D449,868 S *	10/2001	Rogers	.....	D12/305
D866,445 S *	11/2019	Wu	.....	D12/308
D869,373 S *	12/2019	Wei	.....	D12/308
2009/0217859 A1 *	9/2009	Healy	.....	B63C 11/46 114/315
2018/0318650 A1 *	11/2018	Witkoff	.....	B63G 8/12

**OTHER PUBLICATIONS**

“Underwater Drone electric thruster Swimming artifact Self-propelled Dive Booster Diving equipment 1.5m/s Underwater Robot toys”. Retrieved Nov. 29, 2019]. Retrieved from Internet, https://

www.aliexpress.com/item/4000060911376.html?spm=a2g0o.productlist0.0.260fdd14jbxMpD&algo\_pvid=b2fb7cda-c587-.  
“ZUEN Underwater Scooter, Unmanned Robot Explorer Submersible Electrical Waterproof Dual Speed Propeller Diving Booster Pool Toys Swimming Kids Rechargeable Boating”, Retrieved Nov. 29, 2019]. Retrieved from Internet, https://www.amazon.co.uk/ZUEN-Underwater-Submersible-Waterproof-Rechargeable-dp/B07RKZCNT7/ref=sr\_1\_35?dchild=1&keywords=SWIMMING.  
“Sublue Seabow Underwater Scooter Scuba Diving Photography Platform max speed 2m/s and OLED display Screen when Diving”, Retrieved Nov. 29, 2019 ]. Retrieved from Internet, https://www.aliexpress.com/item/4000262955938.html?spm=a2g0o.productlist.0.0.30002f43rnmeng&algo\_pvid=604c6cd2-10ce-4bb4-baab-f300d4c819b5&algo.

\* cited by examiner

*Primary Examiner* — Cynthia M. Chin

(57) **CLAIM**

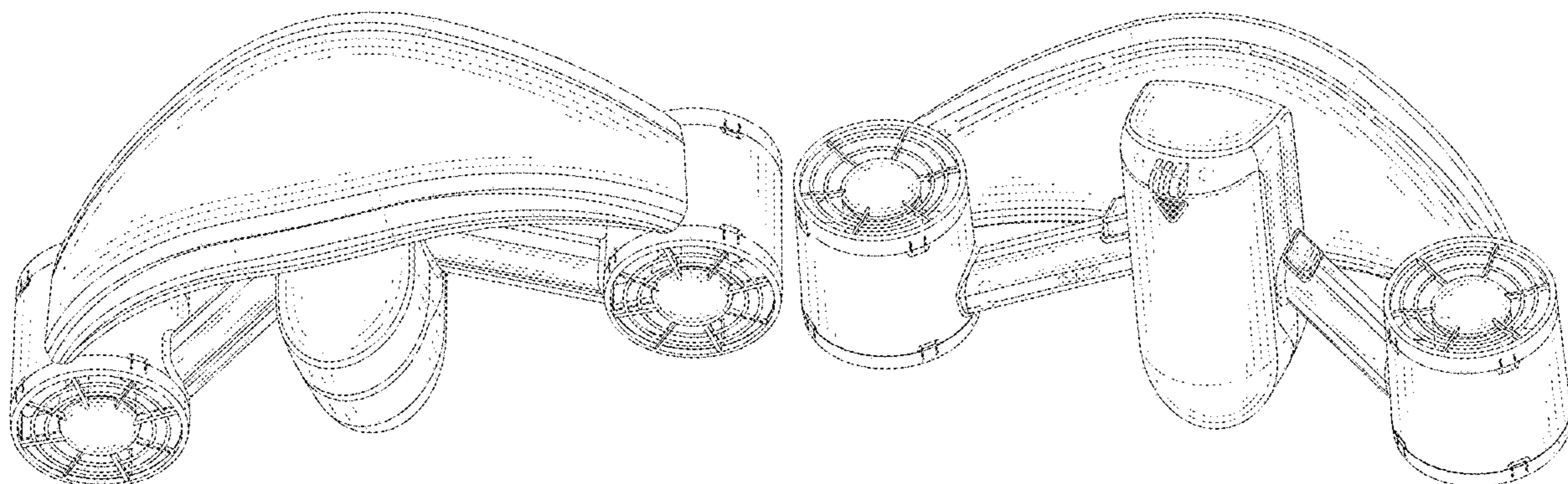
The ornamental design for a swimming booster, as shown and described.

**DESCRIPTION**

FIG. 1 is a perspective view of a swimming booster showing my new design;  
FIG. 2 is another perspective view thereof;  
FIG. 3 is a front elevational view thereof;  
FIG. 4 is a rear elevational view thereof;  
FIG. 5 is a left side devotional view thereof;  
FIG. 6 is a right side elevational view thereof;  
FIG. 7 is a top plan view thereof;  
FIG. 8 is a bottom plan view thereof; and,  
FIG. 9 is an enlarged partial view from the right side of FIG. 1.

The broken lines in the drawings depict portions of the swimming booster that form no part of the claimed design. The dash-dot broken lines represent boundaries of the enlarged partial view of FIG. 9 and form no part of the claimed design.

**1 Claim, 9 Drawing Sheets**



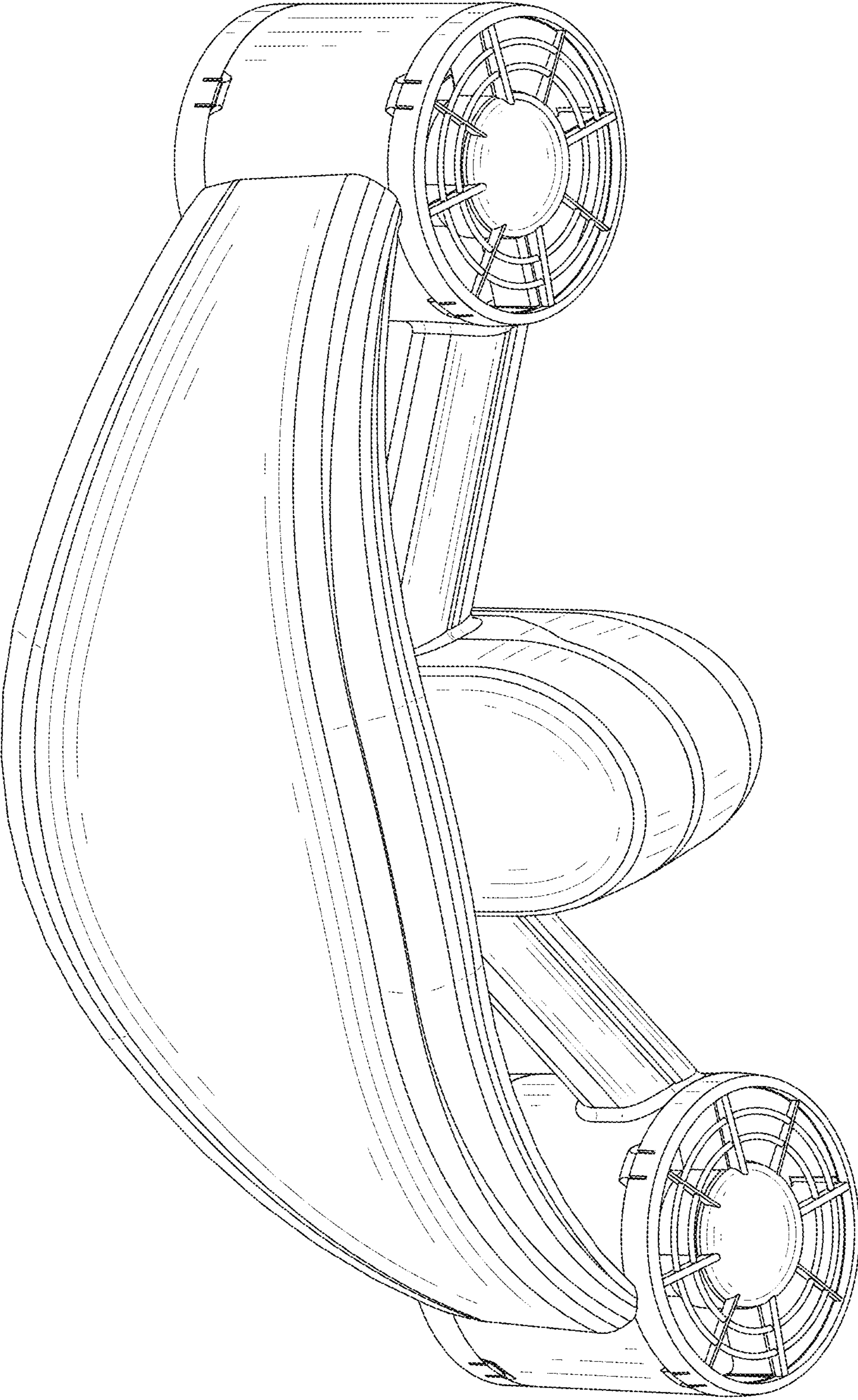


FIG. 1

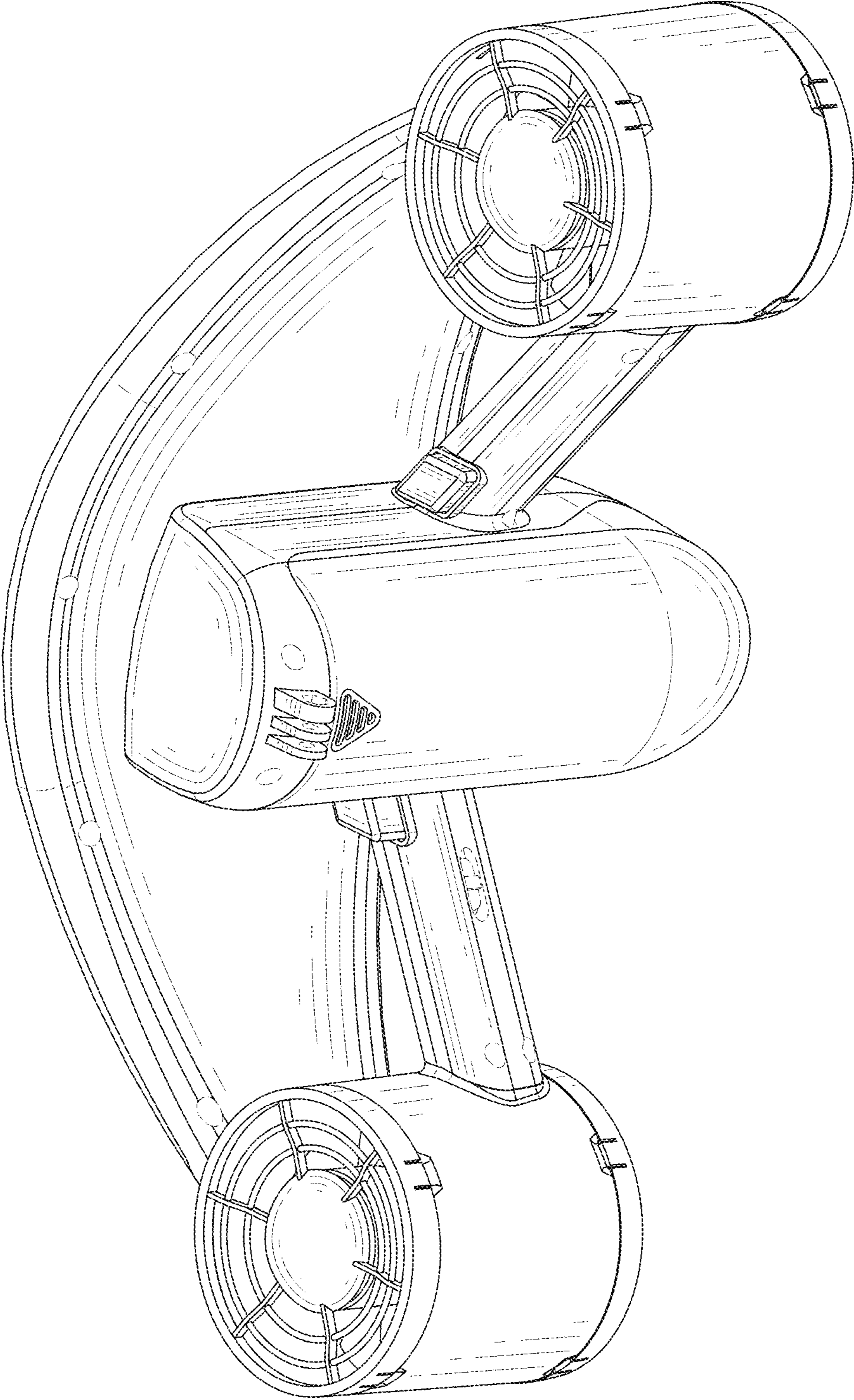


FIG. 2

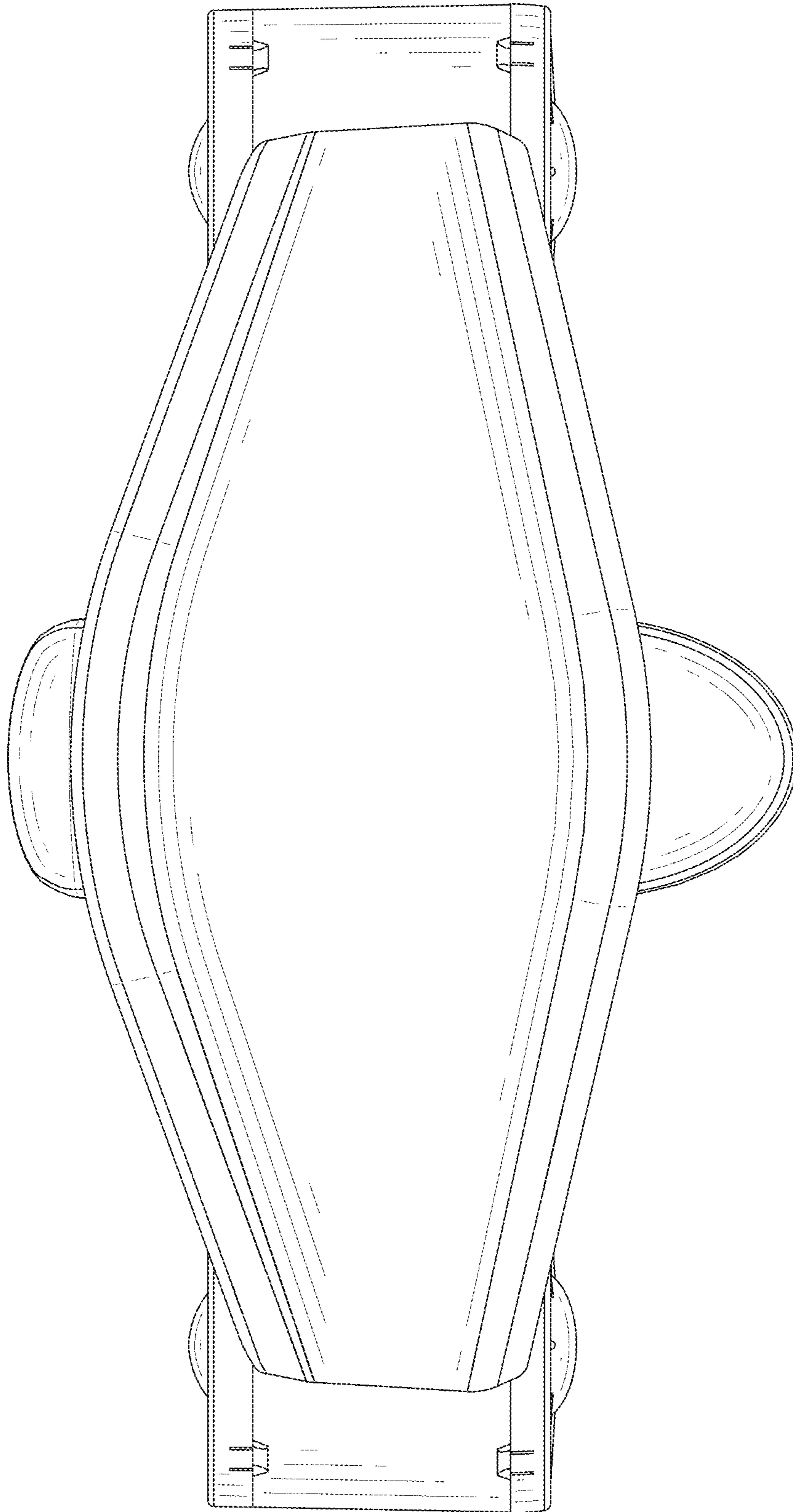


FIG. 3

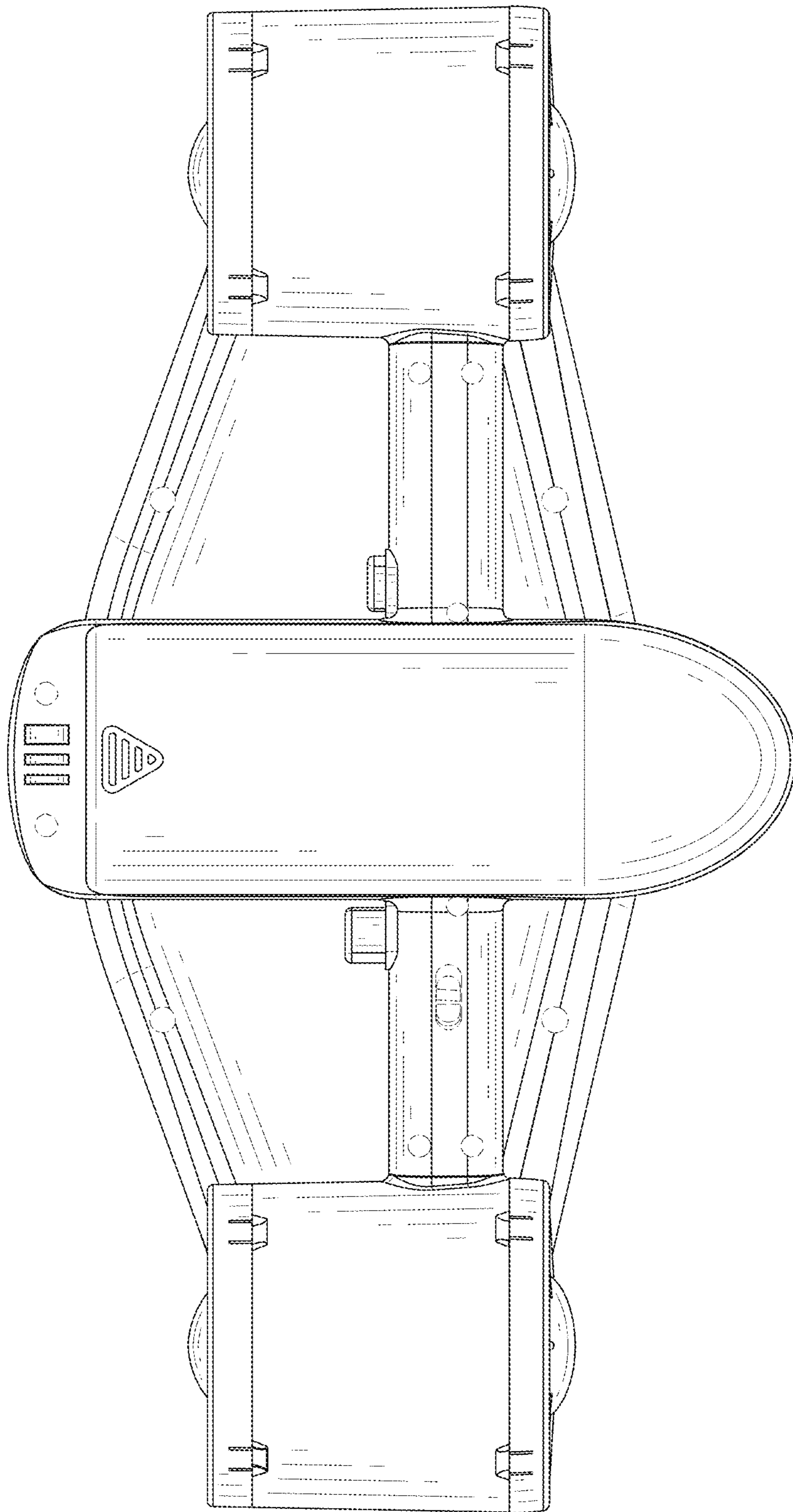


FIG. 4

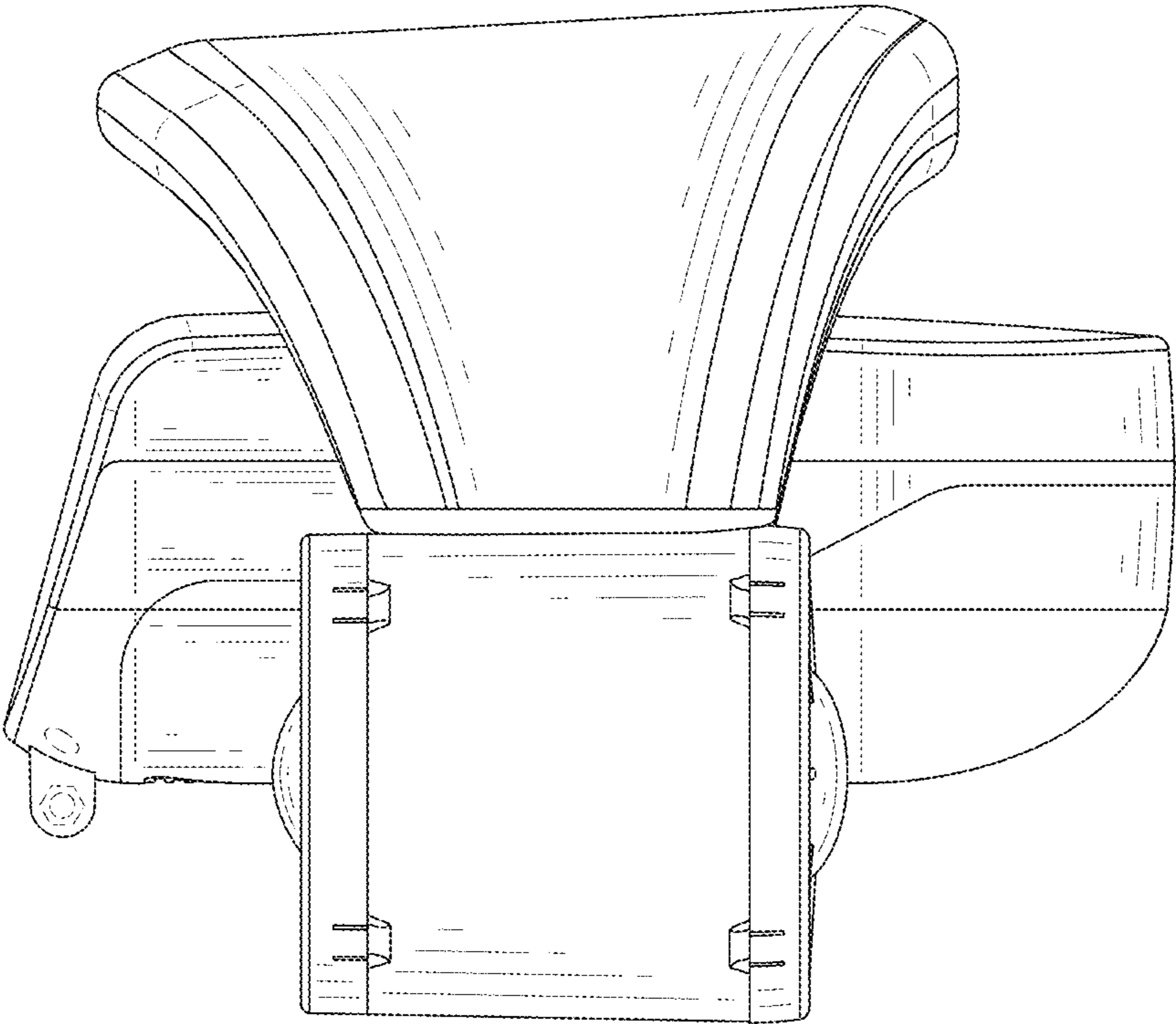


FIG. 5

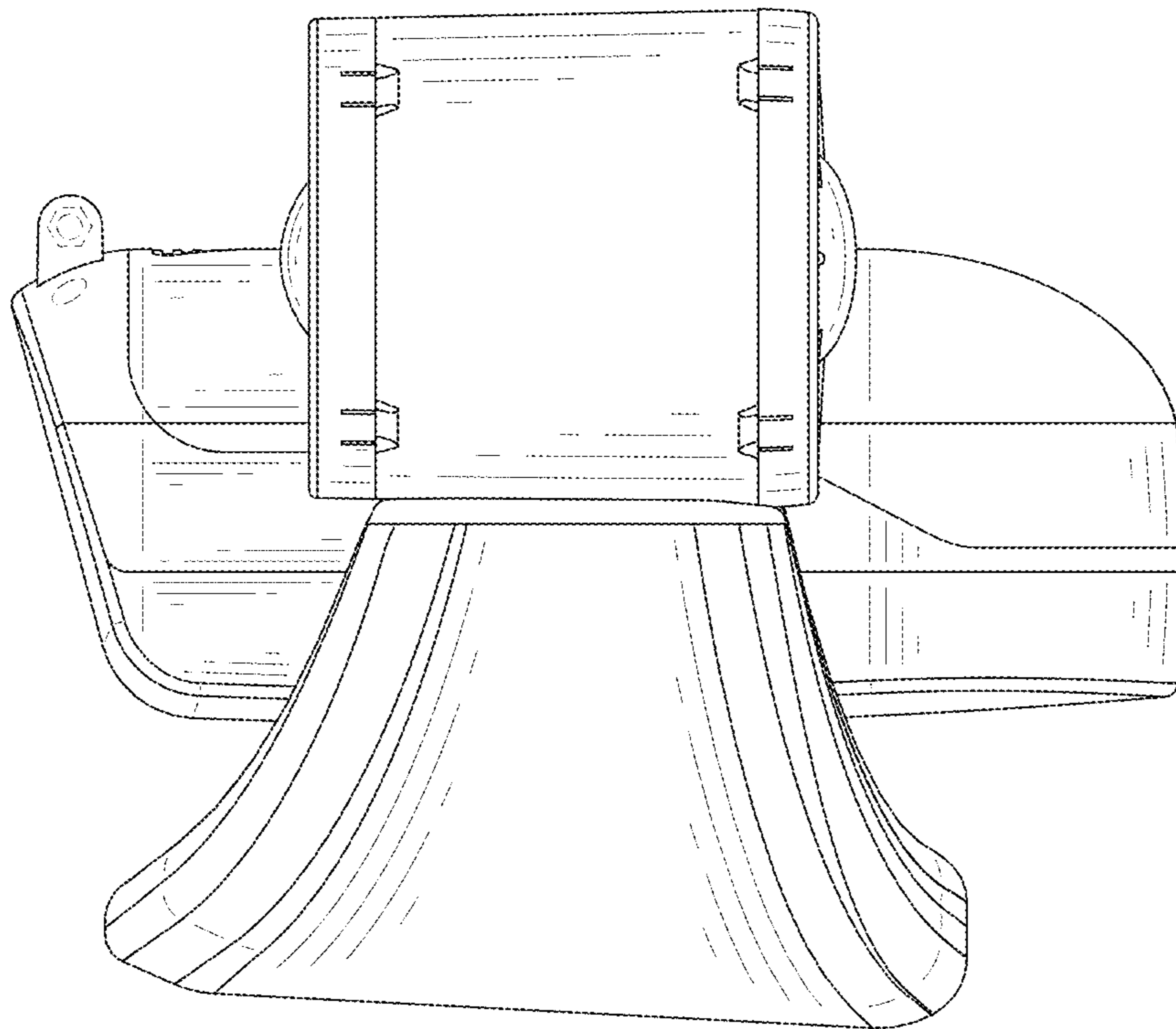


FIG. 6

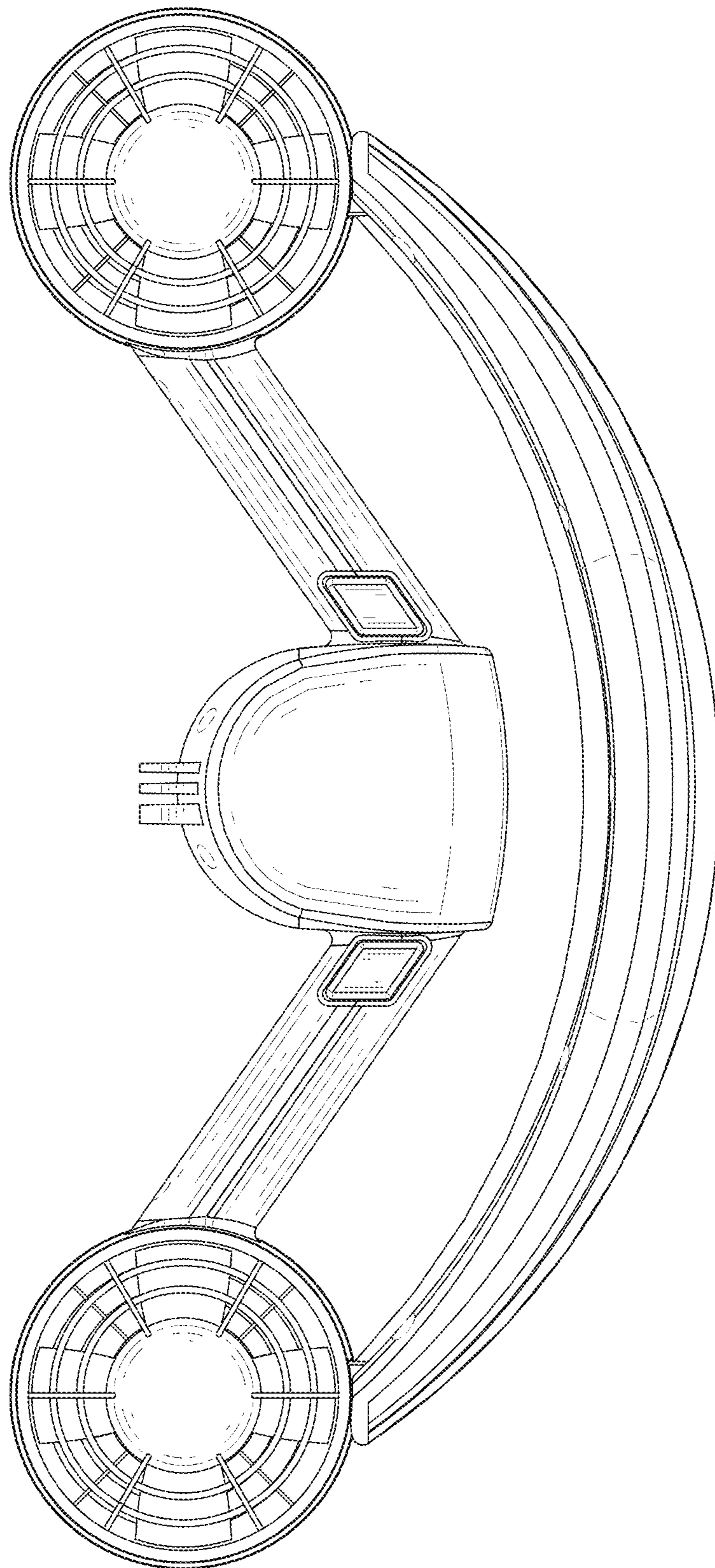


FIG. 7



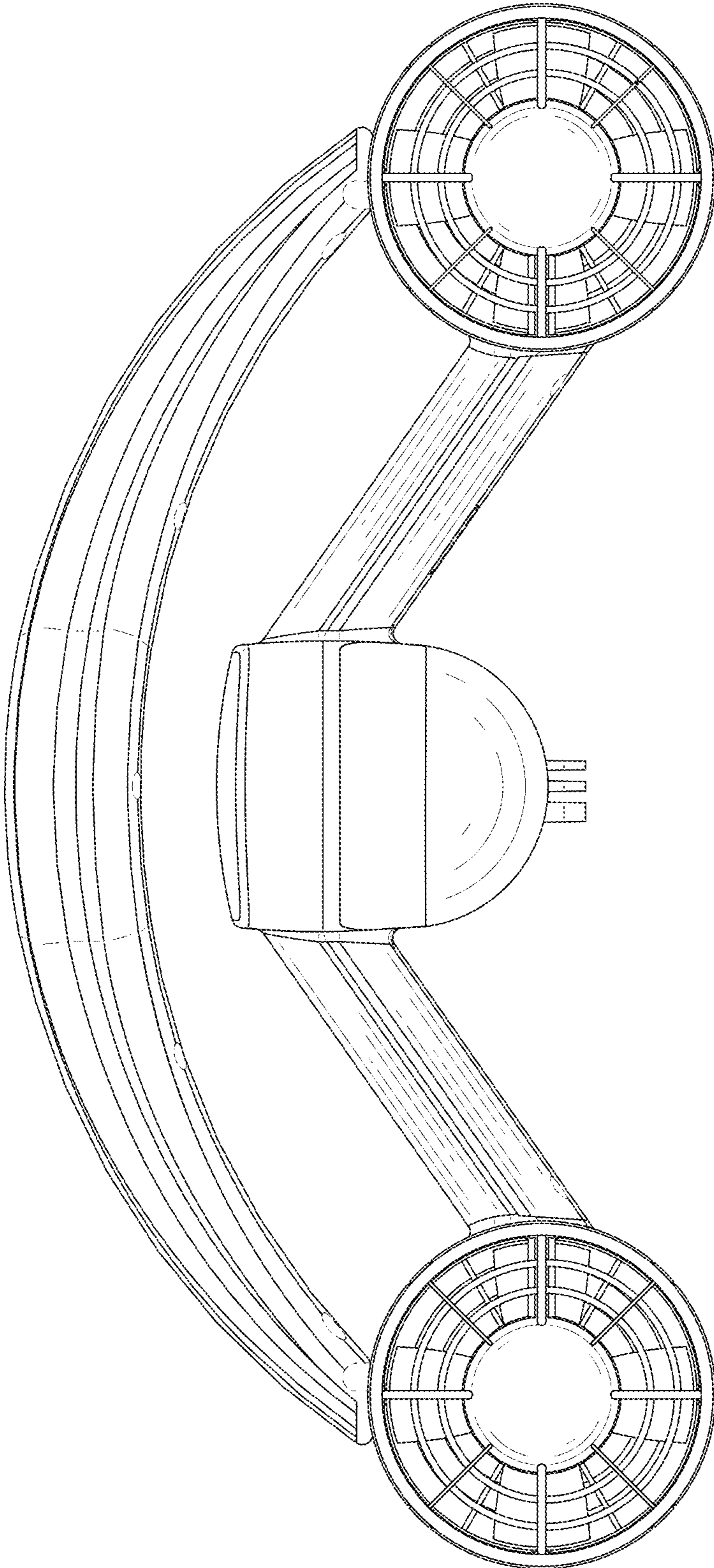


FIG. 8

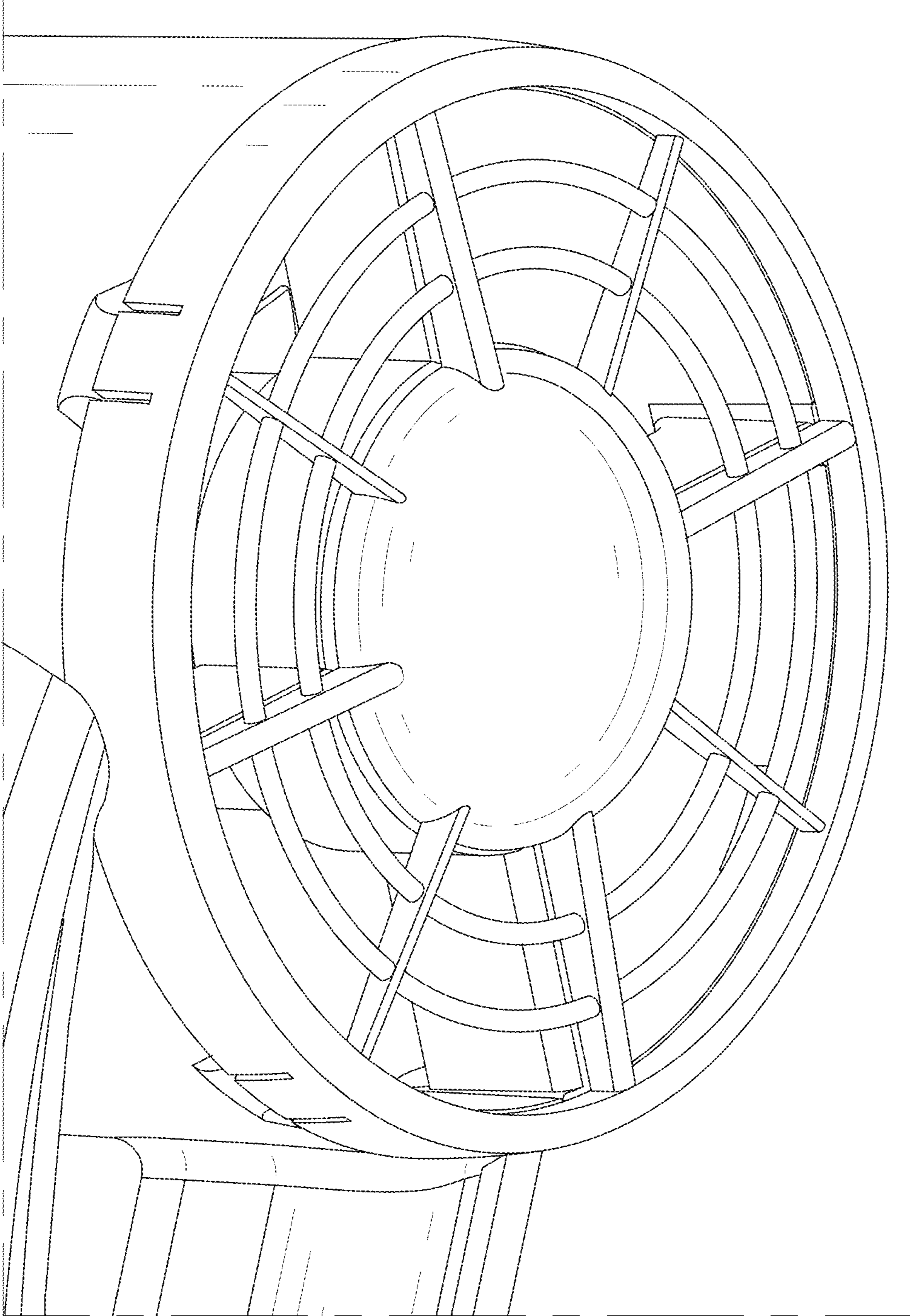


FIG. 9