



US00D887946S

(12) **United States Design Patent**
Prater et al.

(10) **Patent No.:** **US D887,946 S**
(45) **Date of Patent:** **** Jun. 23, 2020**

- (54) **FUEL TANK**
- (71) Applicant: **CATERPILLAR INC.**, Deerfield, IL (US)
- (72) Inventors: **Eric M. Prater**, Washington, IL (US);
Ryan Harken, Dunlap, IL (US);
Anthony S. Cooksey, Metamora, IL (US)
- (73) Assignee: **Caterpillar Inc.**, Peoria, IL (US)
- (**) Term: **15 Years**
- (21) Appl. No.: **29/678,100**
- (22) Filed: **Jan. 25, 2019**
- (51) **LOC (12) Cl.** **12-06**
- (52) **U.S. Cl.**
USPC **D12/218; D15/28**
- (58) **Field of Classification Search**
USPC D15/28, 15, 23, 17; D12/218; 280/834,
280/288.4, 830, 124.1, 835; 180/69.4,
180/69.5, 89.12, 900, 225; 220/564, 524,
220/555, 567.2; 123/518–520
CPC B60K 15/00; B60K 15/03; B60K 15/07;
B60K 15/0306; B60K 15/063; B60K
15/073; B62D 21/16; F02M 37/0094
See application file for complete search history.

- D644,160 S * 8/2011 Fries D12/218
- D694,167 S * 11/2013 Forsberg D12/218
- D695,202 S * 12/2013 Forsberg D12/218
- 8,657,143 B2 * 2/2014 Walker B60K 15/063
220/562
- D728,632 S * 5/2015 Klassen D12/218
- D728,633 S * 5/2015 Klassen D12/218
- D772,773 S * 11/2016 Andersen D12/218
- D803,756 S * 11/2017 Andersen D12/218
- D837,720 S * 1/2019 Schwalbe D12/218

* cited by examiner

Primary Examiner — Mark A Goodwin

(74) *Attorney, Agent, or Firm* — Finnegan, Henderson, Farabow, Garrett & Dunner, LLP

(57) **CLAIM**

The ornamental design for a fuel tank, as shown and described.

DESCRIPTION

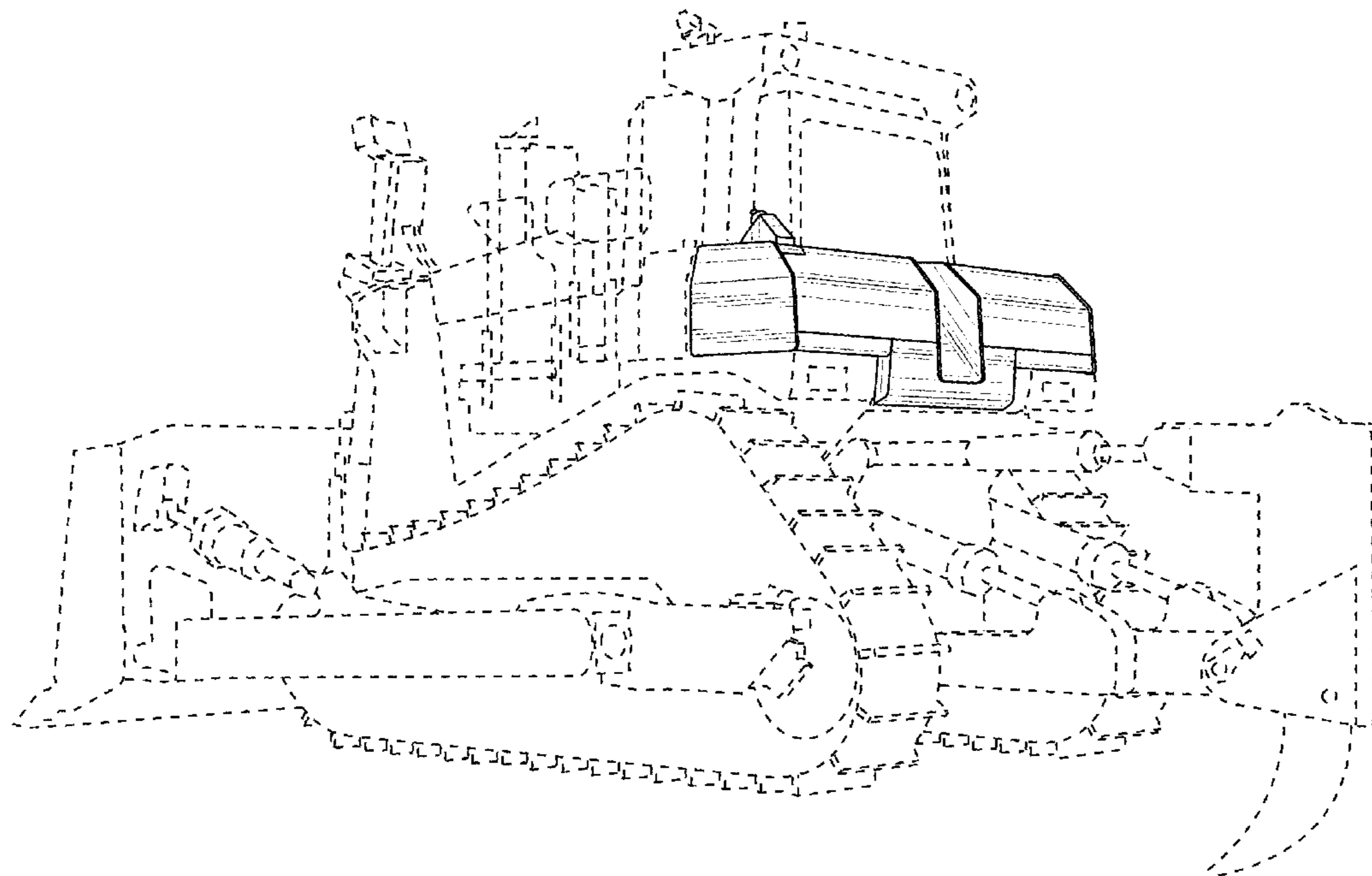
FIG. 1 is a rear, bottom, left perspective view of a fuel tank showing the new design in an environment of use, where the surrounding machine is not claimed;
 FIG. 2 is a rear, bottom, right perspective view thereof;
 FIG. 3 is a rear, top, left, perspective view thereof;
 FIG. 4 is a left-side elevation view thereof;
 FIG. 5 is a right-side elevation view thereof; and,
 FIG. 6 is a rear elevation view thereof.
 The broken lines of even length shown in the drawings illustrate environmental subject matter and form no part of the claimed design. Inventive aspects of the current design exist in the fuel tank as a whole as well as in the portions of the fuel tank that are only visible when installed, as shown in FIGS. 1-6.

1 Claim, 6 Drawing Sheets

(56) **References Cited**

U.S. PATENT DOCUMENTS

- D258,501 S * 3/1981 Winslow D12/218
- D282,921 S * 3/1986 Eureka D12/218
- D433,425 S * 11/2000 Surridge D15/17
- D440,982 S * 4/2001 Knight D15/23
- D562,350 S * 2/2008 Higashikawa D12/218



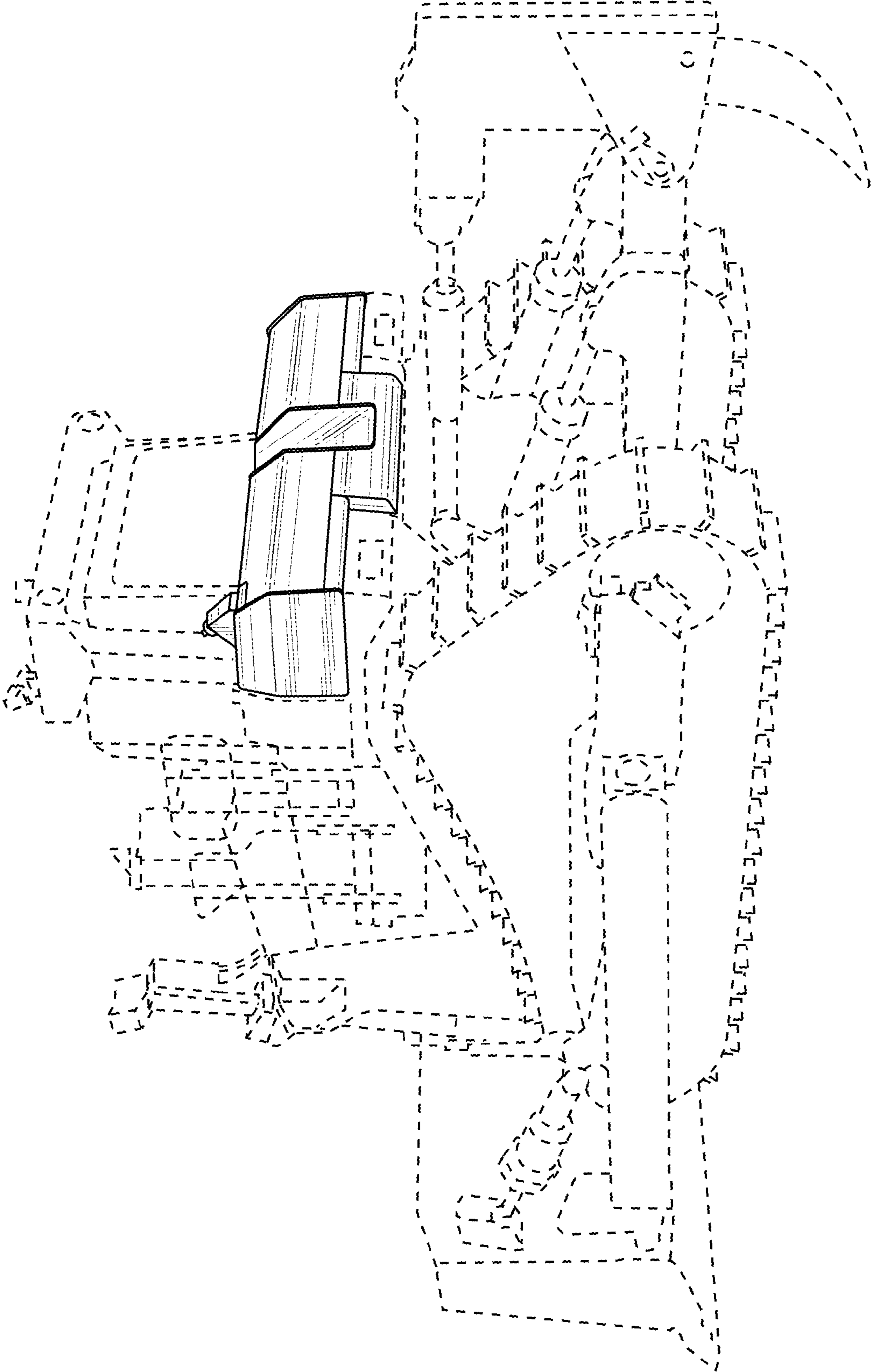


FIG. 1

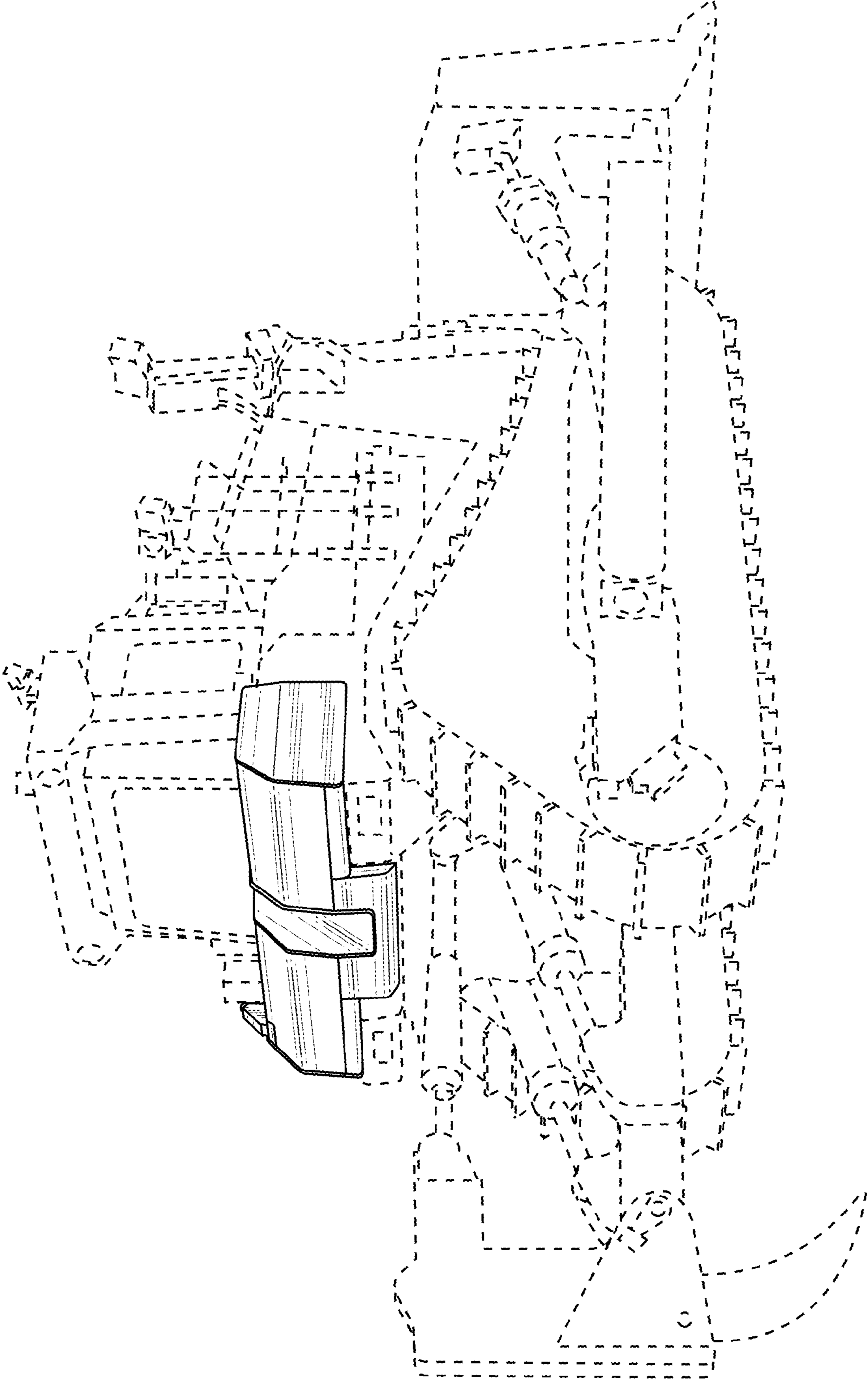


FIG. 2

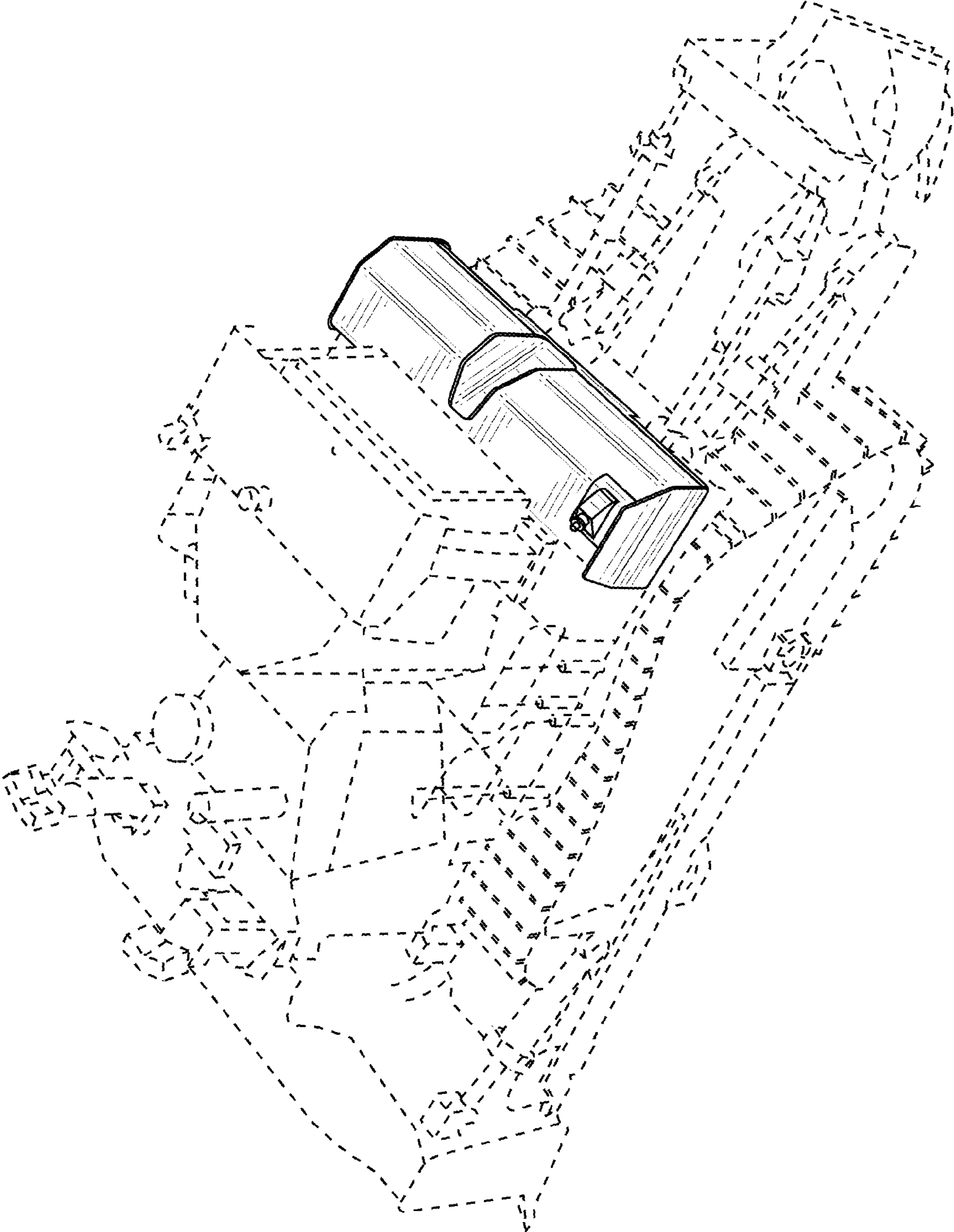


FIG. 3

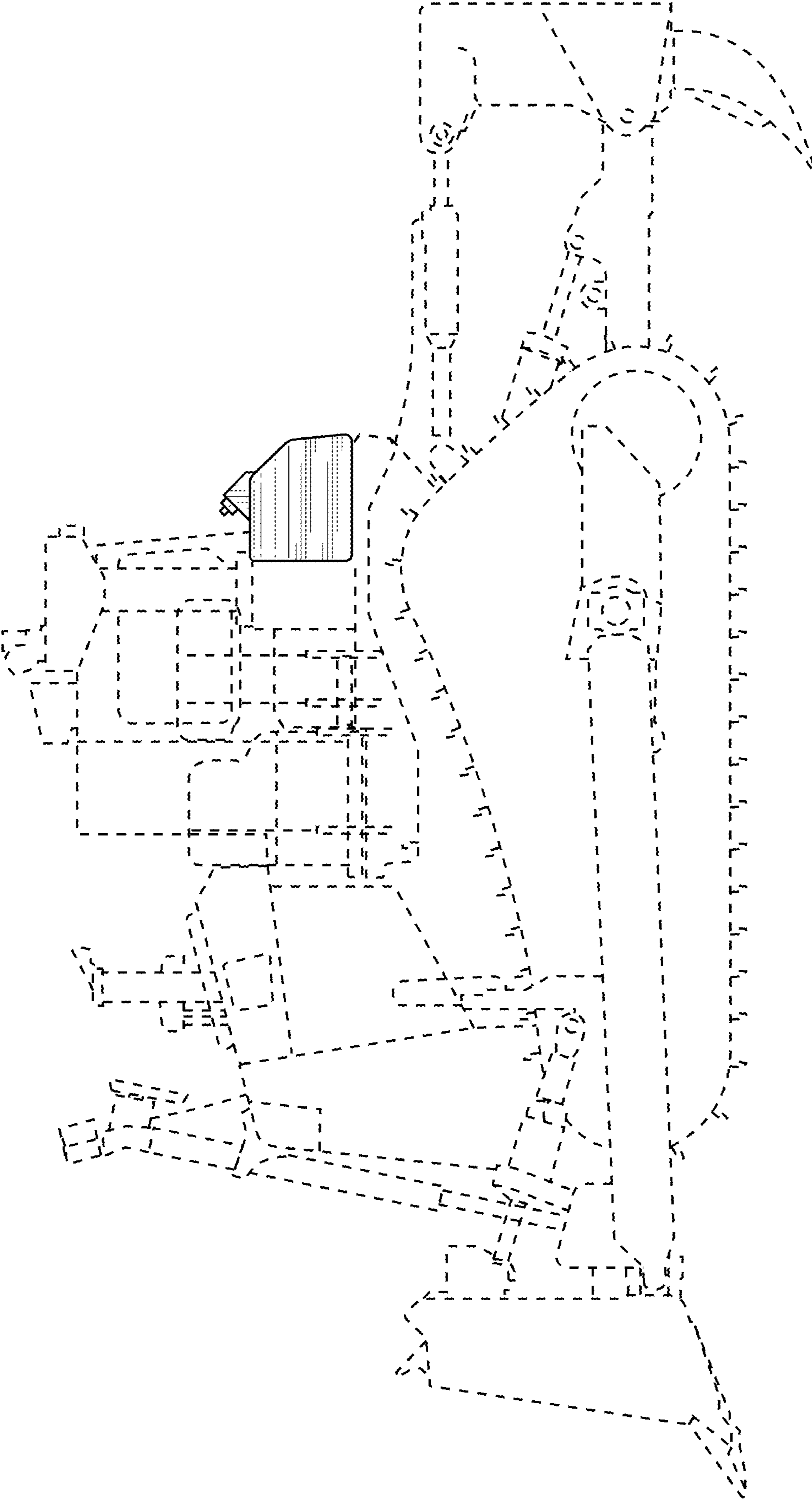


FIG. 4

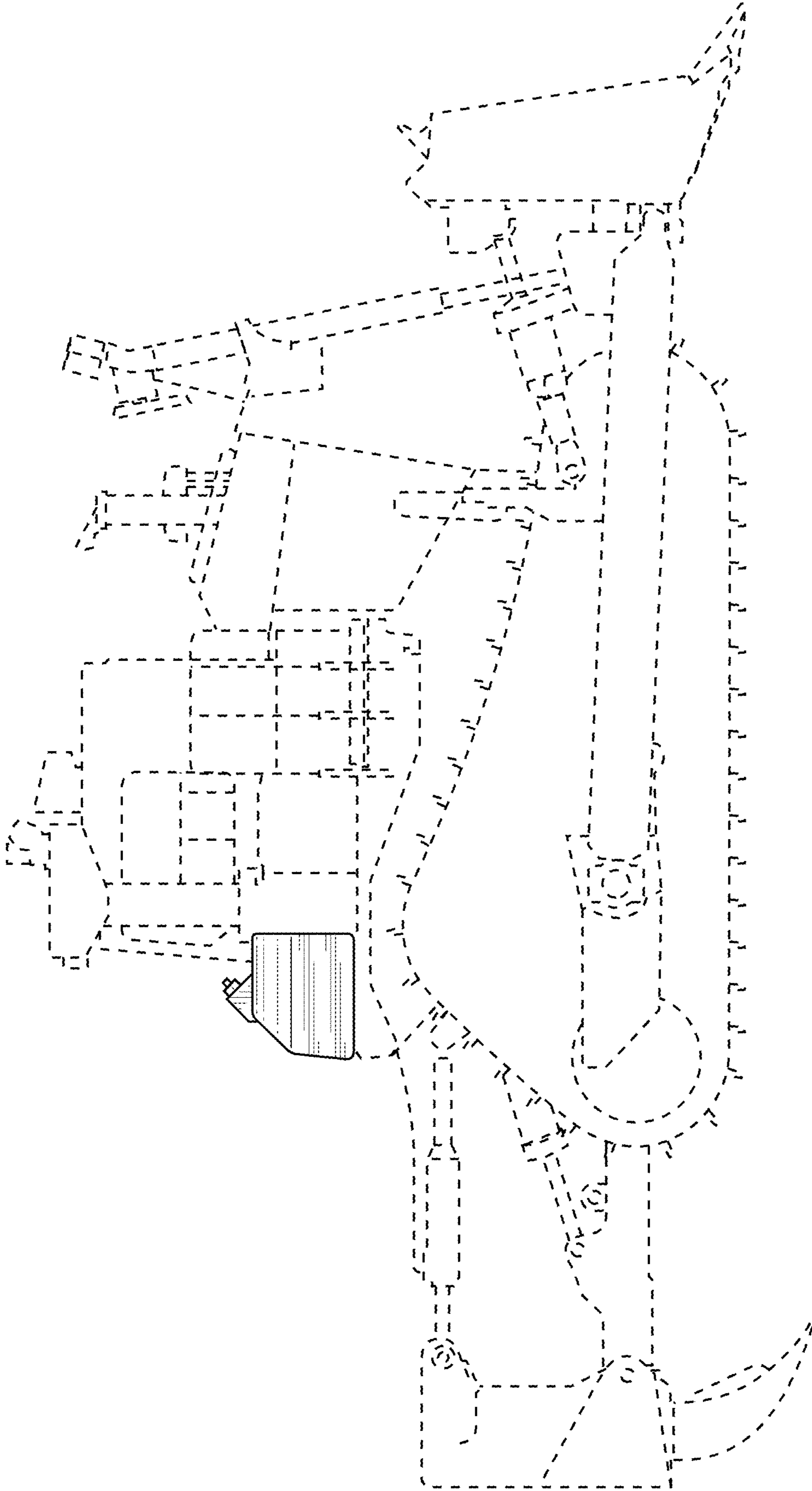


FIG. 5

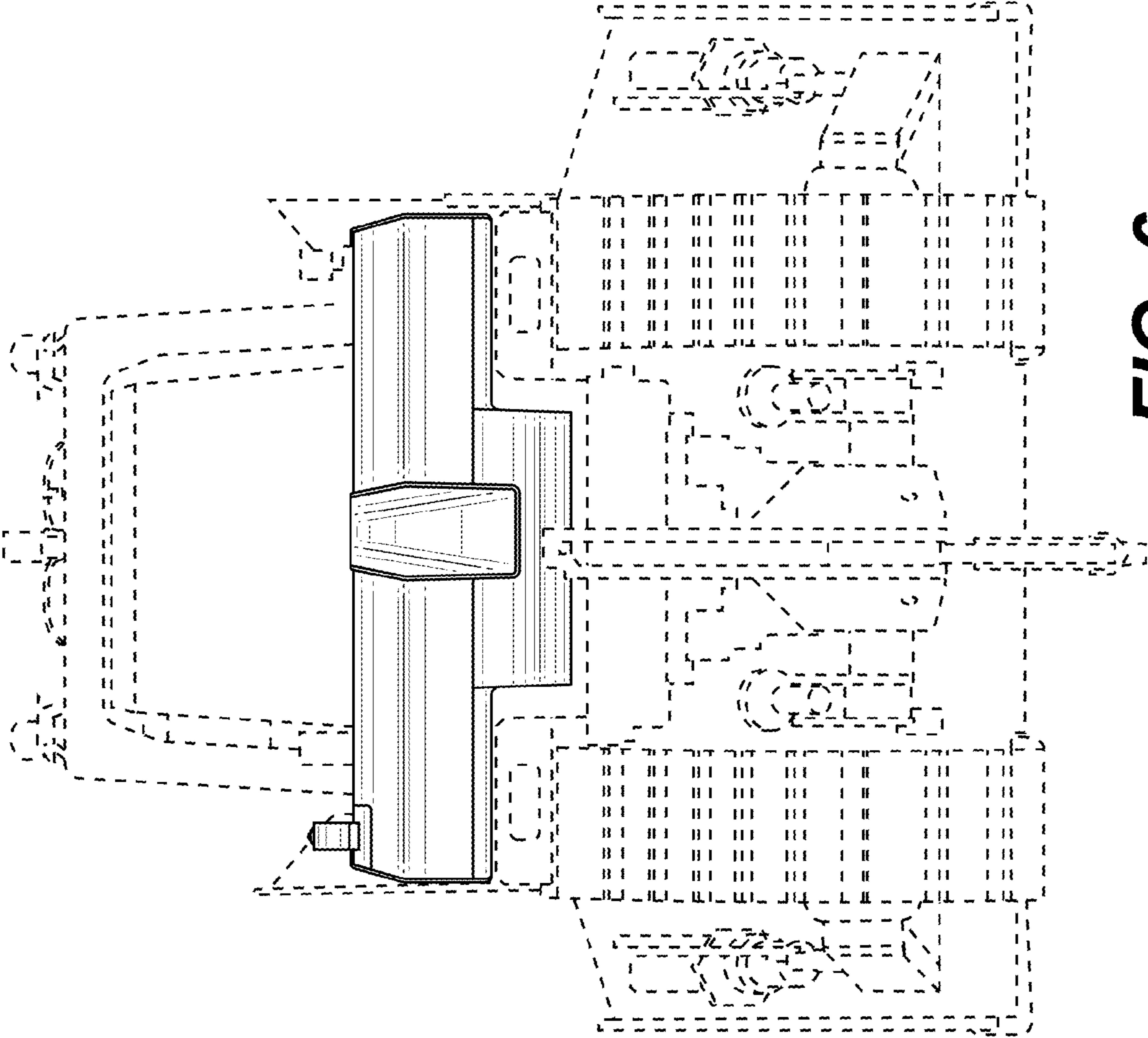


FIG. 6