



US00D887945S

(12) **United States Design Patent**
Fellman

(10) **Patent No.:** **US D887,945 S**
(45) **Date of Patent:** **** Jun. 23, 2020**

- (54) **VEHICLE TANK**
- (71) Applicant: **PACCAR Inc**, Bellevue, WA (US)
- (72) Inventor: **Martha-Ann Fellman**, Denton, TX (US)
- (73) Assignee: **PACCAR INC**, Bellevue, WA (US)
- (**) Term: **15 Years**
- (21) Appl. No.: **29/664,358**
- (22) Filed: **Sep. 24, 2018**
- (51) **LOC (12) Cl.** **12-06**
- (52) **U.S. Cl.**
USPC **D12/218**
- (58) **Field of Classification Search**
USPC D12/110, 197, 218, 223; D9/435-454
CPC B60K 15/03; B60K 15/07; B62J 35/00;
B62K 11/00; B62K 11/04
See application file for complete search history.

- 6,886,861 B2 * 5/2005 Marsala B60K 15/01
280/830
- 7,416,228 B2 * 8/2008 Pfitzinger E05B 15/0046
292/214
- D701,814 S * 4/2014 Merchant D12/218
- D751,023 S * 3/2016 Hennen D12/218
- D812,542 S * 3/2018 LaPant D12/218
- D820,765 S * 6/2018 Hensley D12/218
- D863,371 S * 10/2019 Wise D15/28

* cited by examiner

Primary Examiner — Darlington Ly

(74) *Attorney, Agent, or Firm* — Seed IP Law Group LLP

(57) **CLAIM**

The ornamental design for a vehicle tank, as shown and described.

DESCRIPTION

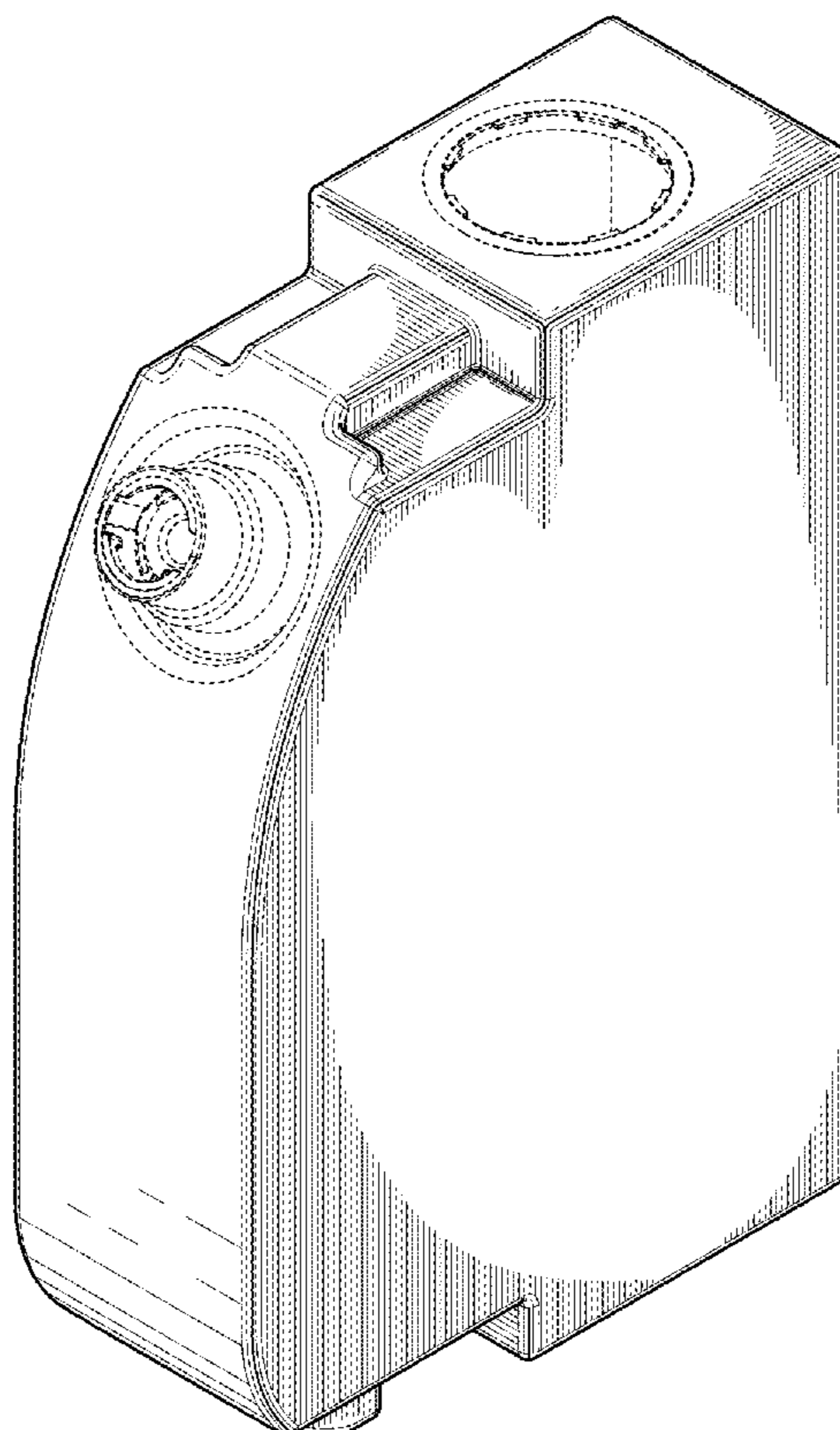
FIG. 1 is a front perspective view of a vehicle tank showing my new design;
 FIG. 2 is a rear perspective view thereof;
 FIG. 3 is a right side elevation view thereof;
 FIG. 4 is a left side elevation view thereof;
 FIG. 5 is a front elevation view thereof;
 FIG. 6 is a rear elevation view thereof;
 FIG. 7 is a top plan view thereof; and,
 FIG. 8 is a bottom plan view thereof.
 The broken lines shown in the figures represent portions of the vehicle tank that form no part of the claimed design.

(56) **References Cited**

U.S. PATENT DOCUMENTS

- D208,539 S * 9/1967 Miller D12/218
- D238,940 S * 2/1976 Graeper D12/218
- D238,941 S * 2/1976 Graeper D12/218
- D282,921 S * 3/1986 Eureka D12/218
- D324,138 S * 2/1992 Labonte D23/202
- D408,421 S * 4/1999 Beal, Jr. D10/101

1 Claim, 7 Drawing Sheets



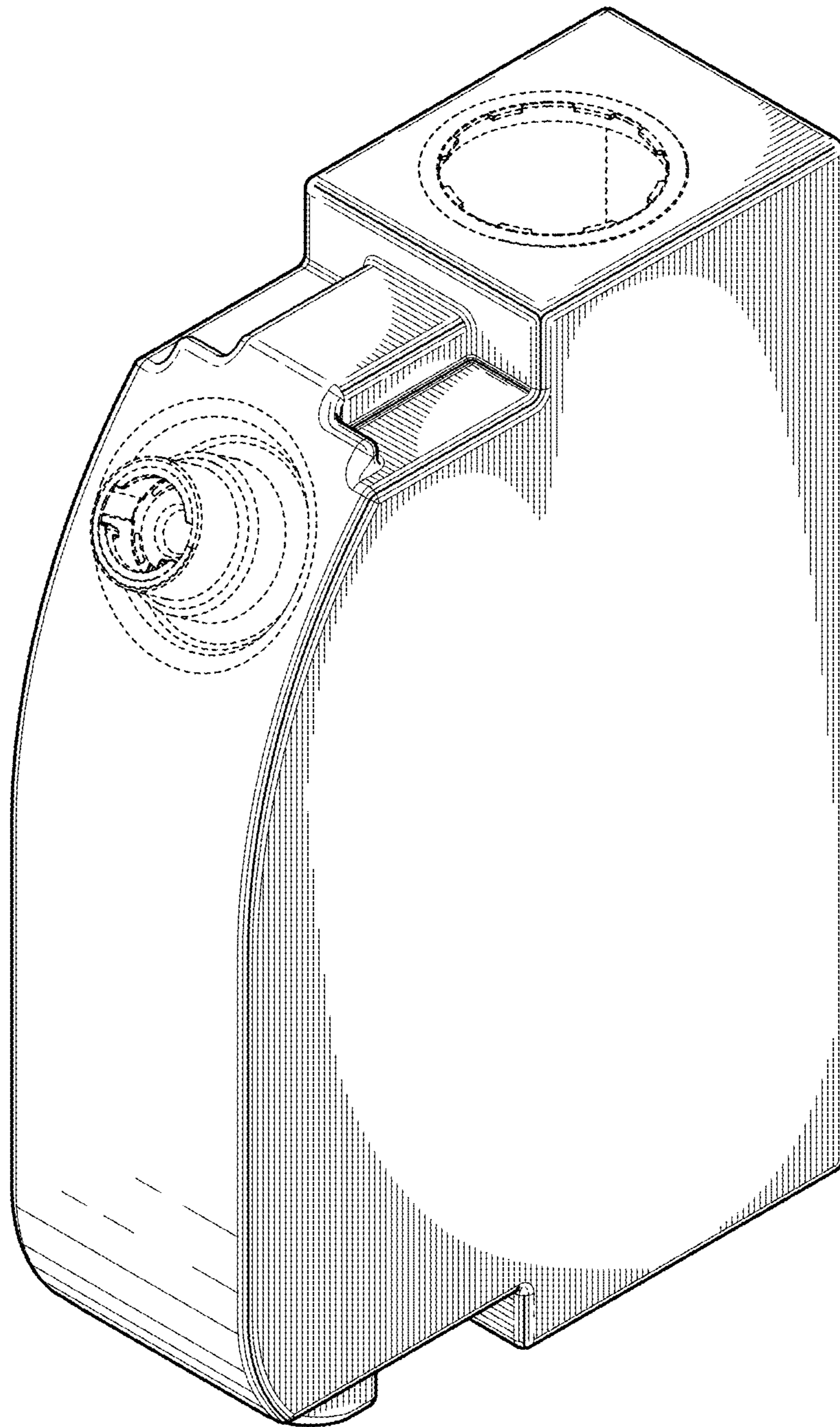


Fig. 1.

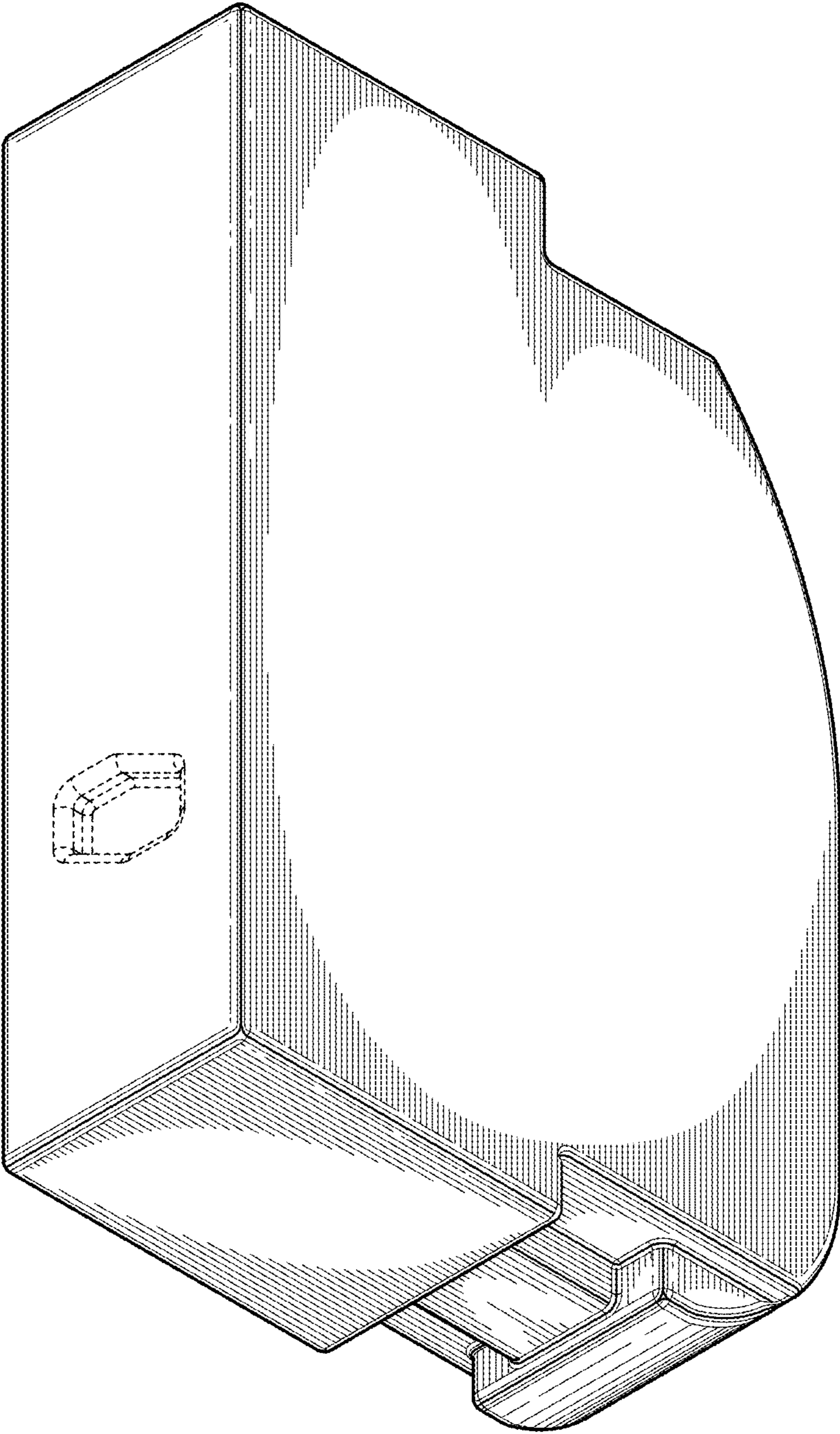


Fig. 2.

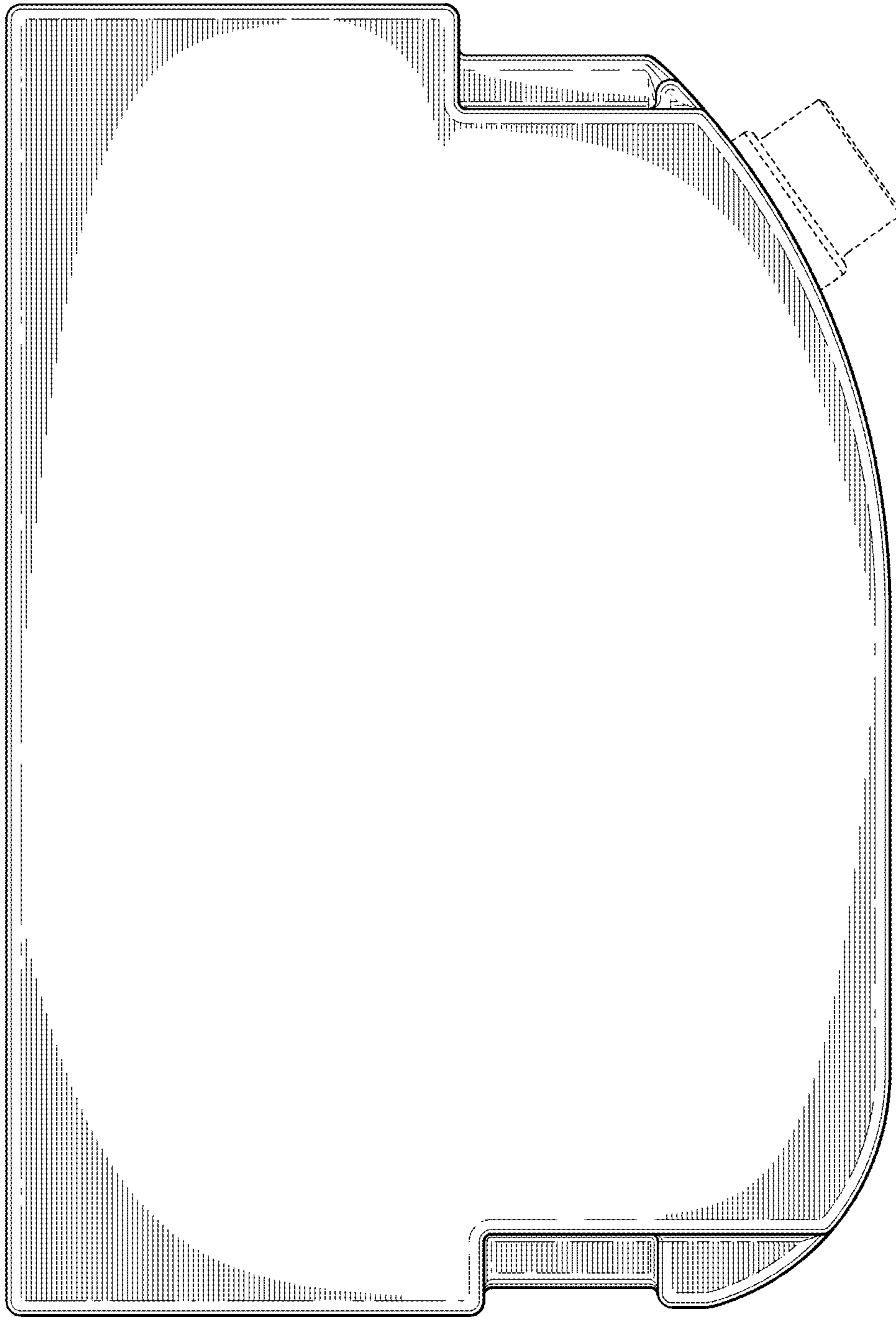


Fig. 3.

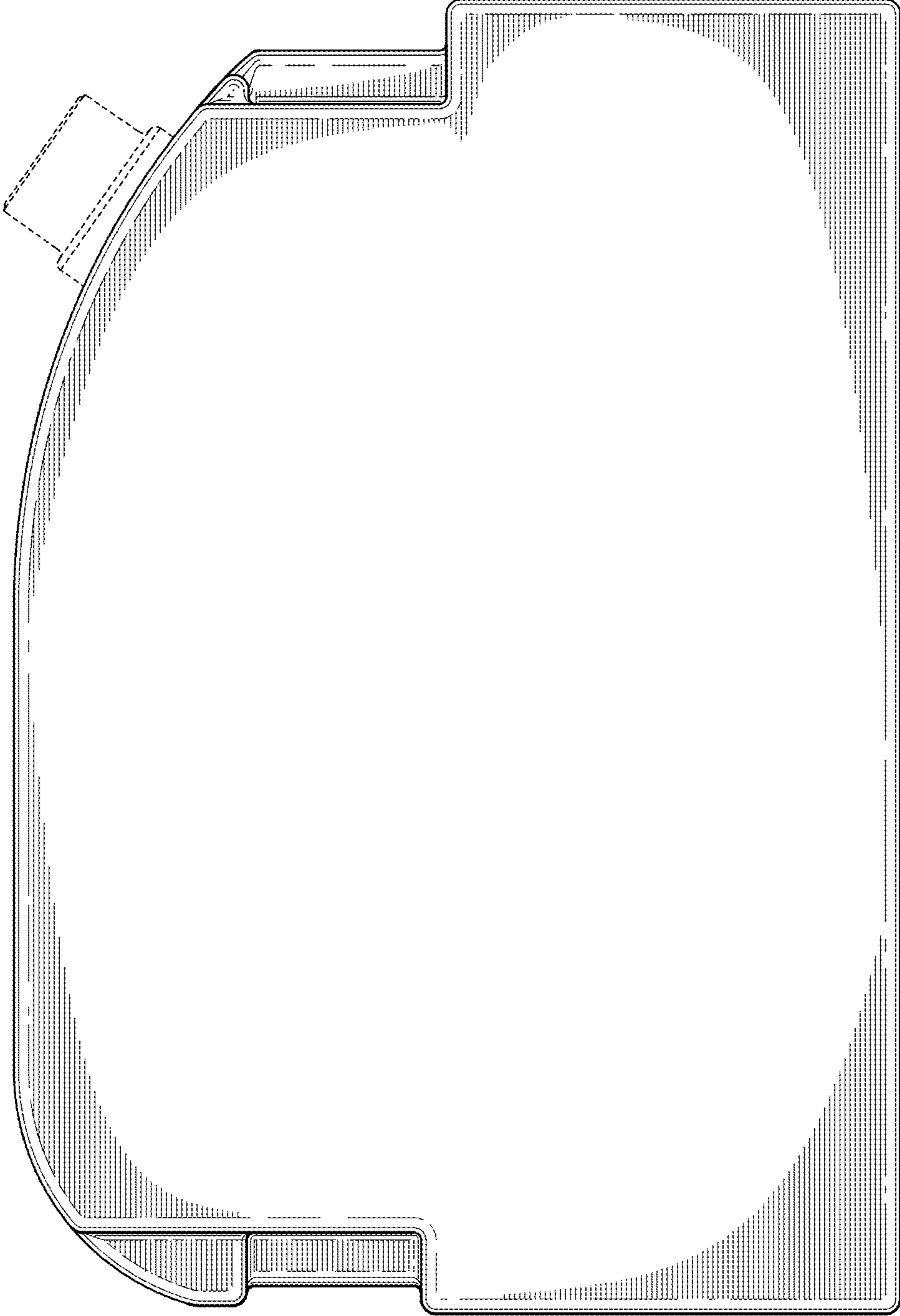


Fig. 4.

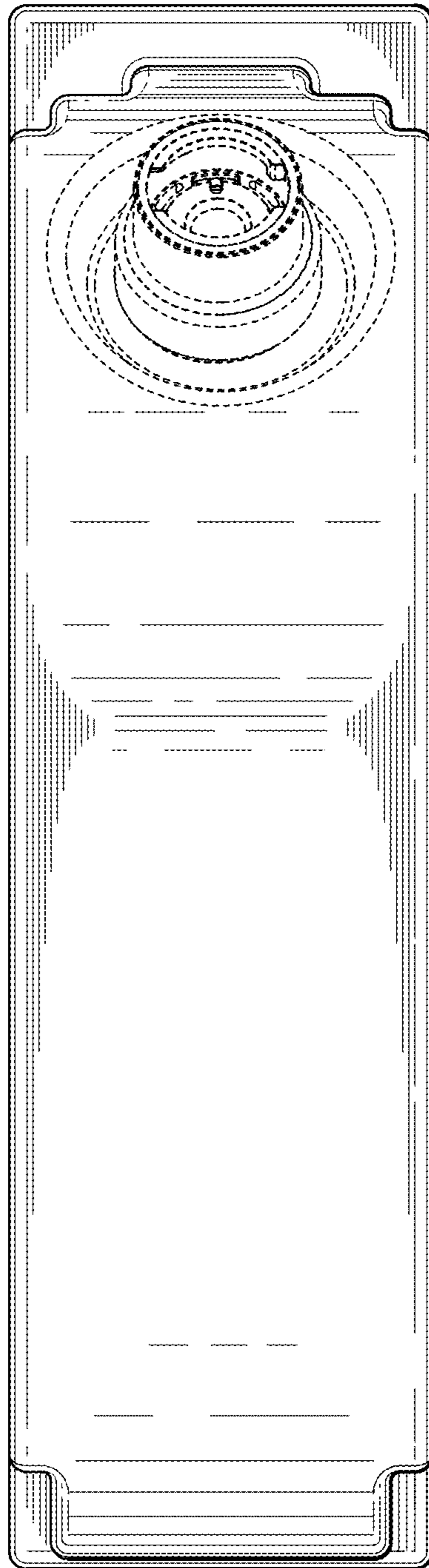


Fig. 5.

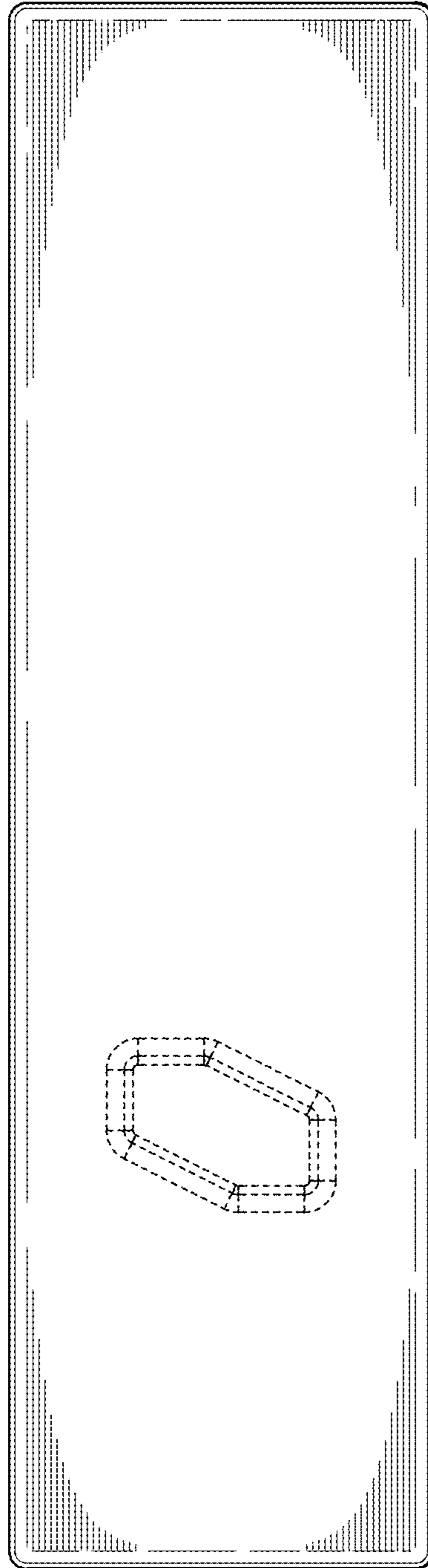


Fig. 6.

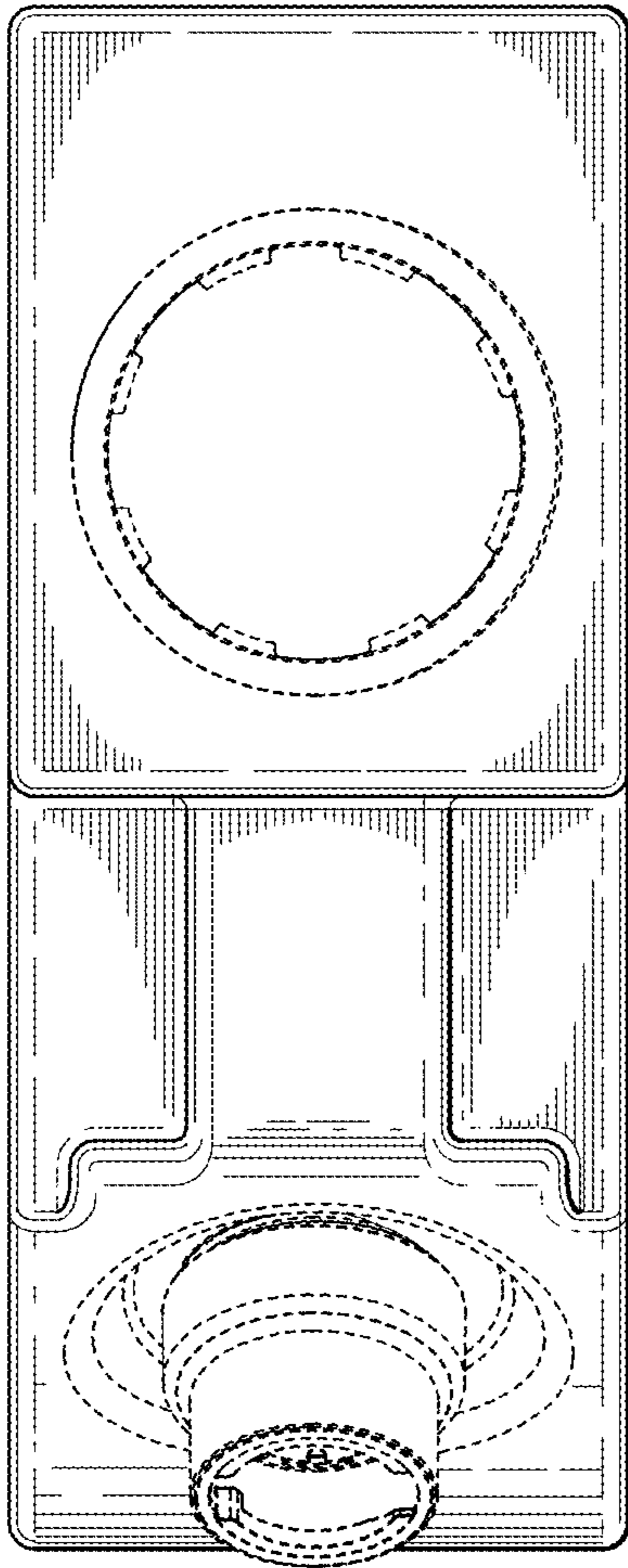


Fig. 7.

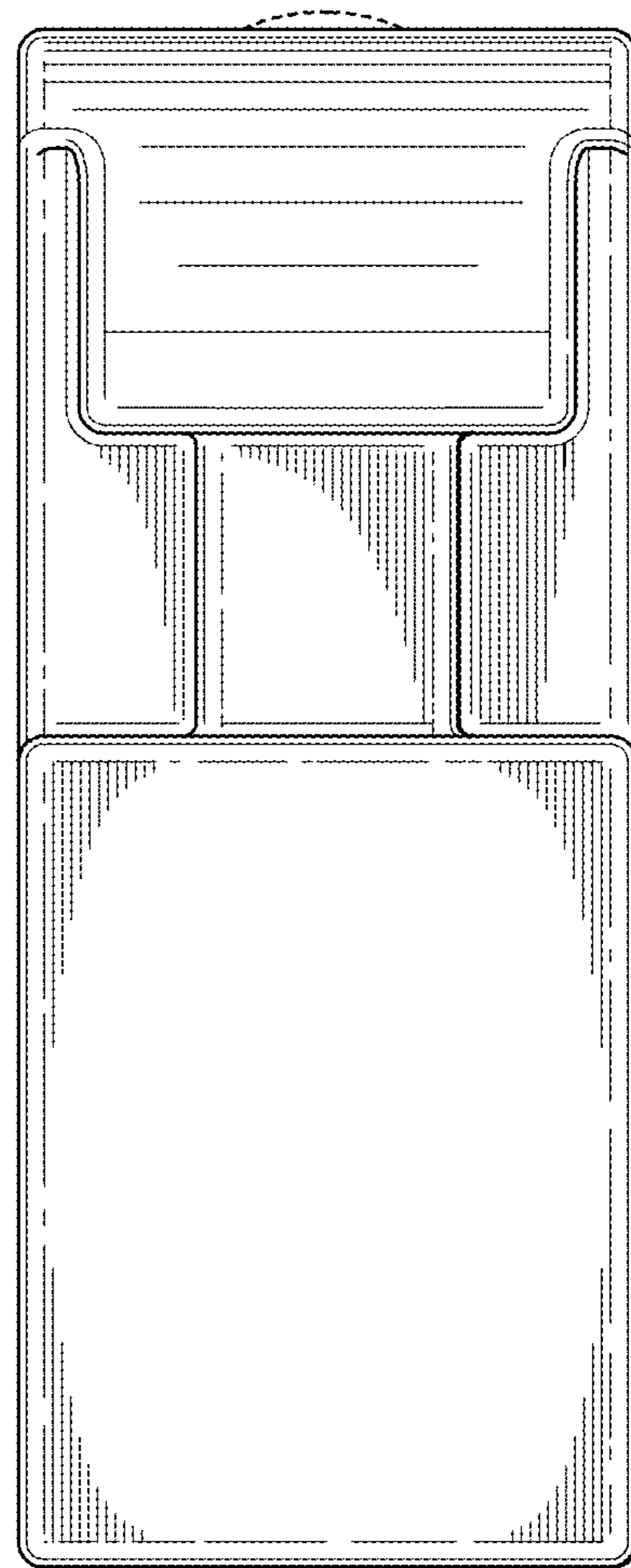


Fig. 8.