



US00D887940S

(12) **United States Design Patent**
Preyss et al.

(10) **Patent No.:** **US D887,940 S**
(45) **Date of Patent:** **** Jun. 23, 2020**

(54) **VEHICLE WHEEL, TOY VEHICLE WHEEL,
AND/OR REPLICAS THEREOF**

(71) Applicant: **Bayerische Motoren Werke
Aktiengesellschaft, Munich (DE)**

(72) Inventors: **Georg Friedrich Carl Preyss, Munich
(DE); Joerg Thomas Maurer, Munich
(DE)**

(73) Assignee: **Bayerische Motoren Werke
Aktiengesellschaft, Munich (DE)**

(**) Term: **15 Years**

(21) Appl. No.: **29/686,393**

(22) Filed: **Apr. 4, 2019**

(30) **Foreign Application Priority Data**

Oct. 11, 2018 (DE) 40 2018 101 023

(51) **LOC (12) Cl.** **12-16**

(52) **U.S. Cl.**
USPC **D12/209; D21/563**

(58) **Field of Classification Search**
USPC D12/204–213; D21/563
CPC B60B 7/00; B60B 7/02; B60B 7/04; B60B
7/01; B60B 7/06; B60B 3/02; B60B 3/04;
B60B 3/06; B60B 3/10; B60B 1/00;
B60B 1/08; B60B 1/10; B60B 1/12
See application file for complete search history.

(56) **References Cited**

U.S. PATENT DOCUMENTS

D621,771 S 8/2010 Truebsbach
D643,794 S 8/2011 Elmitt
D655,661 S * 3/2012 Truebsbach D12/211
D658,101 S * 4/2012 Nissl D12/209
D686,964 S 7/2013 Baum et al.

D696,177 S 12/2013 Juergens et al.
D702,613 S * 4/2014 Scheinhutte D12/211
D717,709 S * 11/2014 Valencia Pollex D12/209
D741,773 S * 10/2015 Juergens D12/211
D760,636 S * 7/2016 Kolb D12/211
D769,783 S * 10/2016 Rueckheim D12/209
D777,075 S * 1/2017 Rueckheim D12/211
D788,673 S 6/2017 Krause
D790,429 S * 6/2017 Juergens D12/211
D791,034 S 7/2017 Rueckheim

(Continued)

FOREIGN PATENT DOCUMENTS

EM 000010442-0002 7/2003
EM 001655861-0003 10/2010

(Continued)

Primary Examiner — Stacia A Cadmus

(74) *Attorney, Agent, or Firm* — Crowell & Moring LLP

(57) **CLAIM**

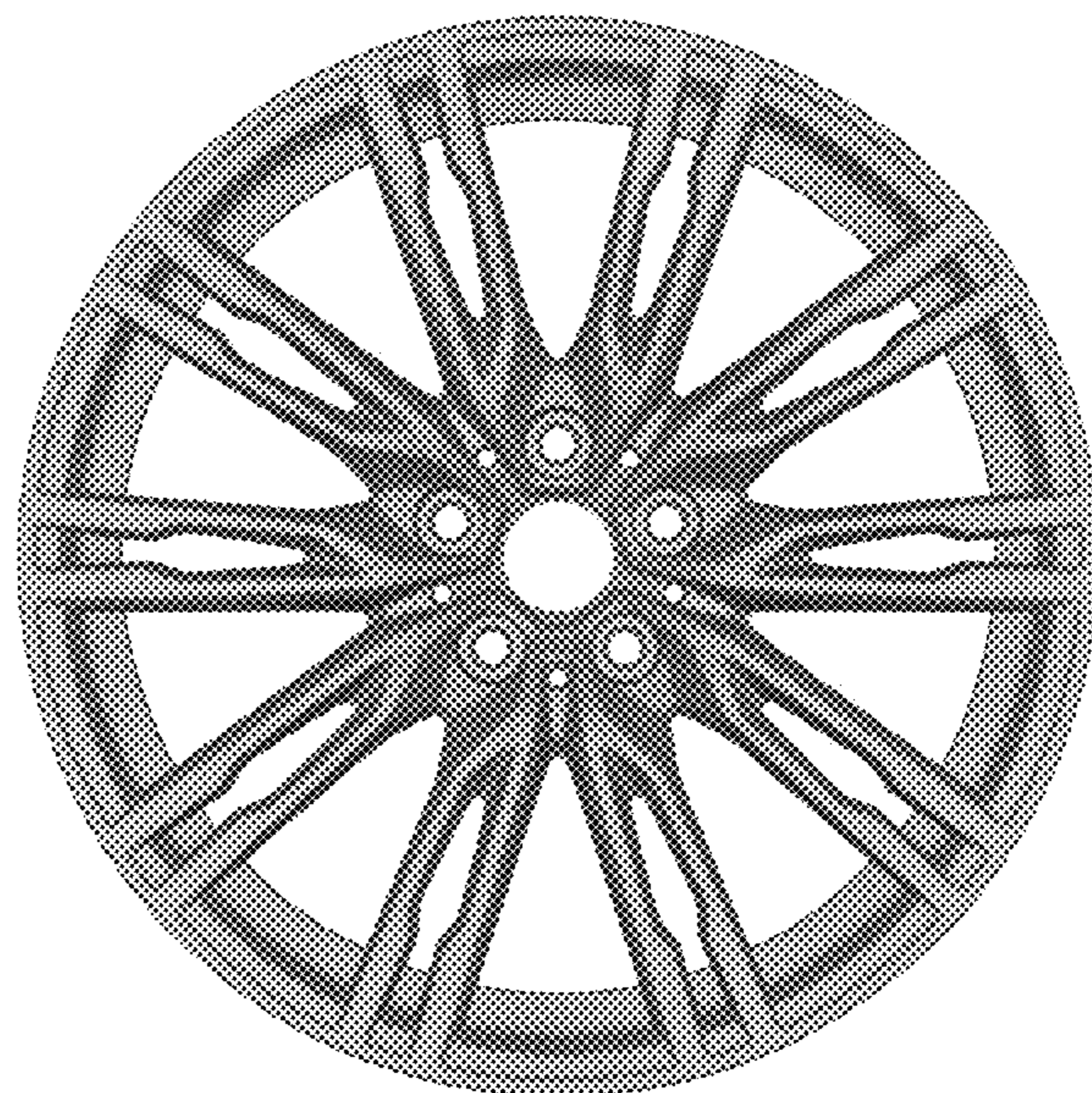
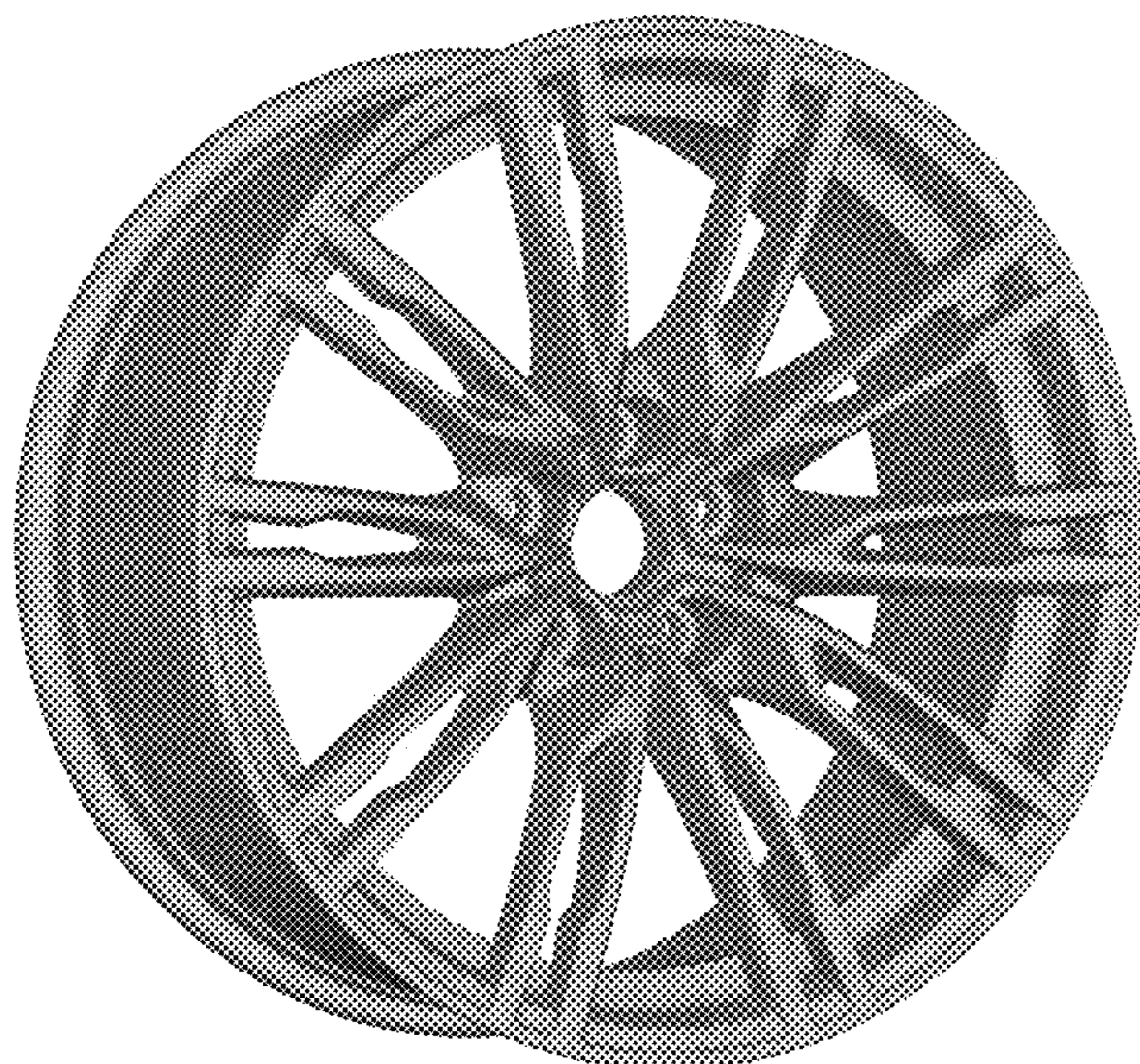
The ornamental design for a vehicle wheel, toy vehicle wheel, and/or replicas thereof, as shown and described.

DESCRIPTION

The application contains subject matter related to the following co-pending U.S. design patent application: Application Ser. No. 29/635,617, filed Feb. 1, 2018 and entitled “Vehicle Wheel, Toy Vehicle Wheel, and/or Replicas Thereof.”

FIG. 1 is a perspective view of a vehicle wheel, toy vehicle wheel, and/or replicas thereof according to the design; FIG. 2 is an additional perspective view thereof; FIG. 3 is an additional perspective view thereof; FIG. 4 is a front view thereof; FIG. 5 is a rear view thereof in a lighter gray scale, representing environmental features that form no part of the claimed design; and, FIG. 6 is a side view thereof.

1 Claim, 6 Drawing Sheets



(56)

References Cited

U.S. PATENT DOCUMENTS

D792,314 S * 7/2017 Gardavsky D12/211
D792,315 S * 7/2017 Mielke D12/211
D826,828 S * 8/2018 Wheel D12/211
D837,719 S 1/2019 Kraljevic
D840,316 S * 2/2019 Battams D12/209
D844,532 S * 4/2019 Austin D12/211
D846,472 S * 4/2019 Tomasson D12/209
D857,589 S * 8/2019 Valencia Pollex D12/209
D867,962 S * 11/2019 Battams D12/209

FOREIGN PATENT DOCUMENTS

EM 001804675-0002 11/2011
EM 002156554-0003 12/2014
EM 003176098-0013 6/2018

* cited by examiner



Fig. 1



Fig. 2



Fig. 3

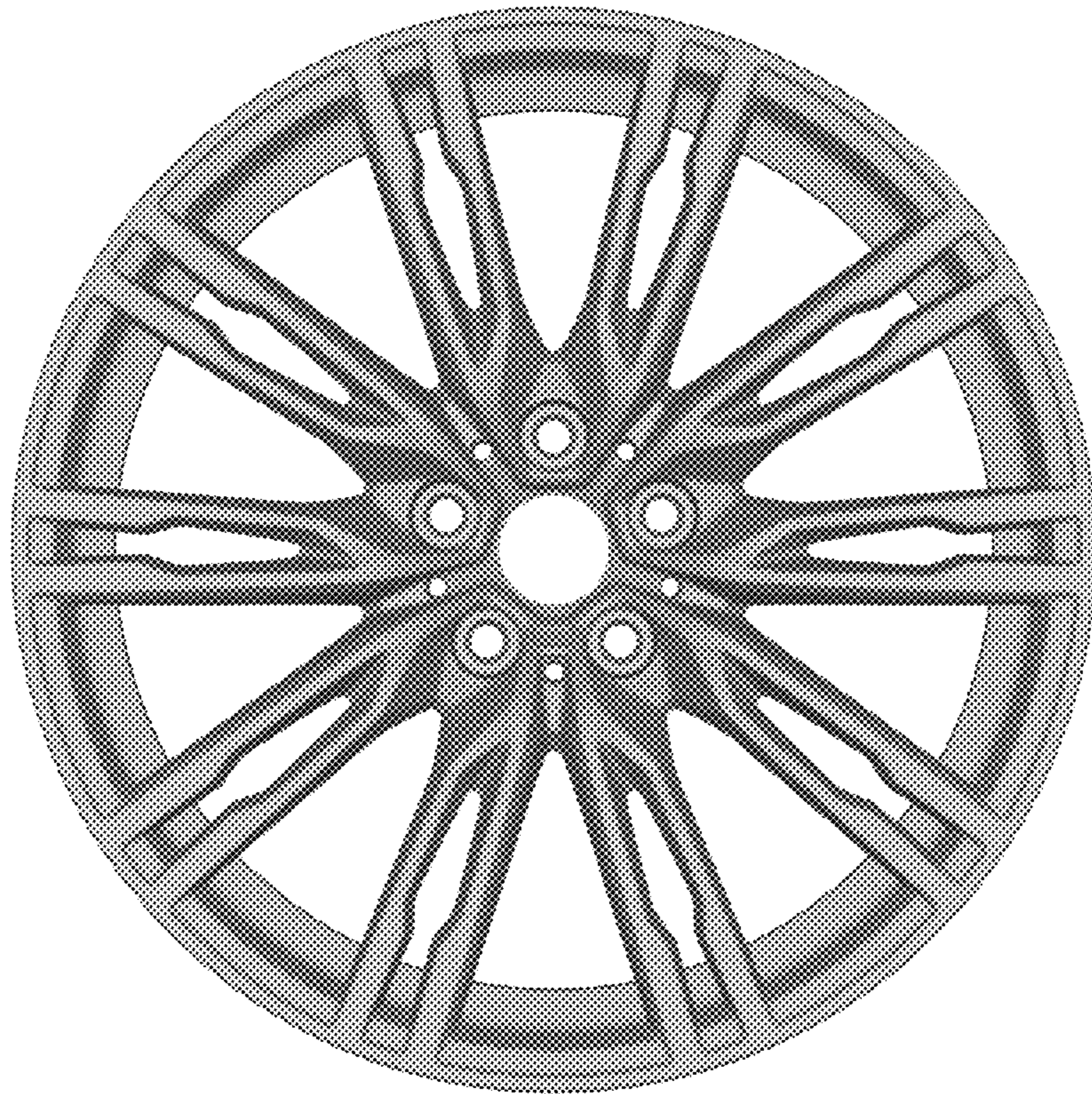


Fig. 4

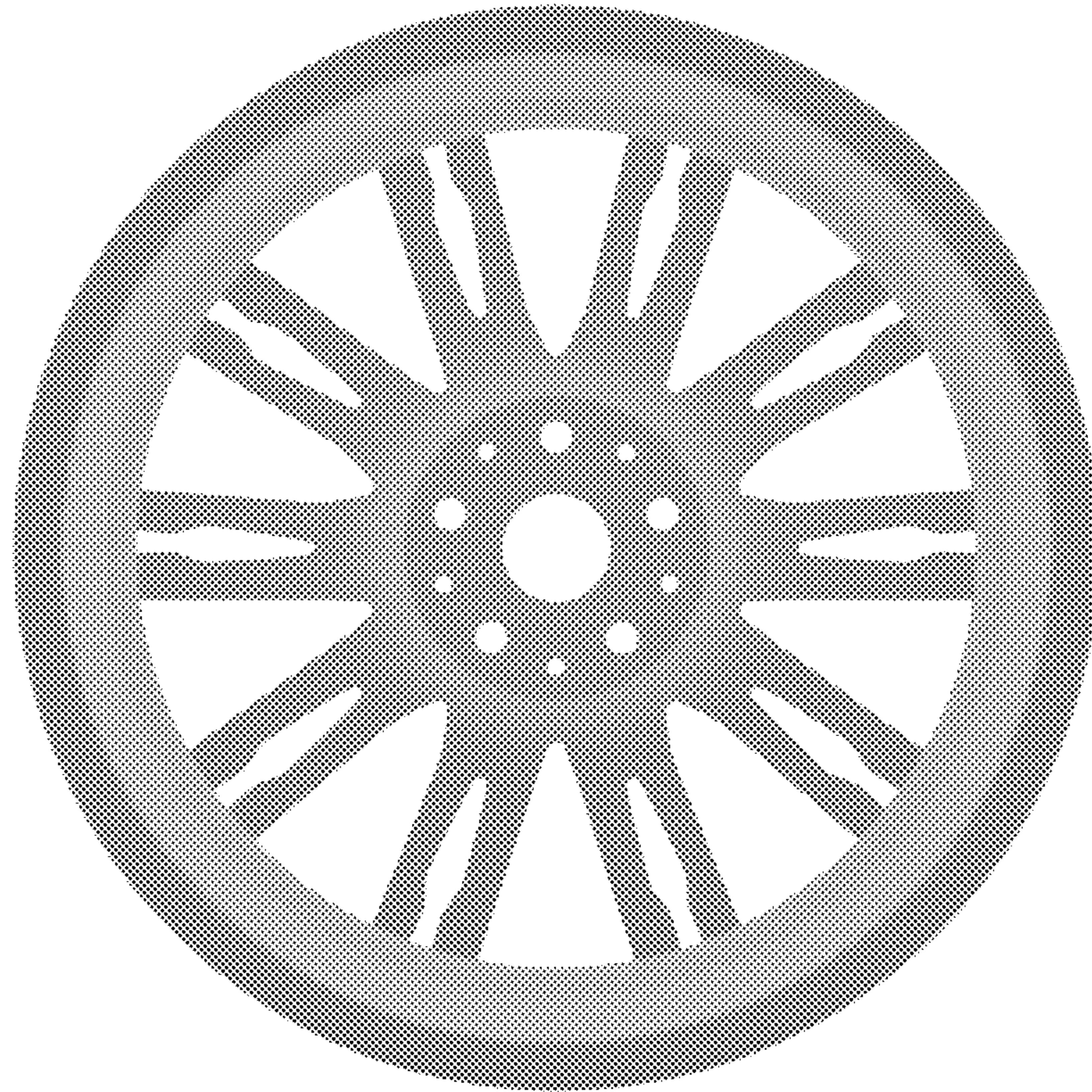


Fig. 5

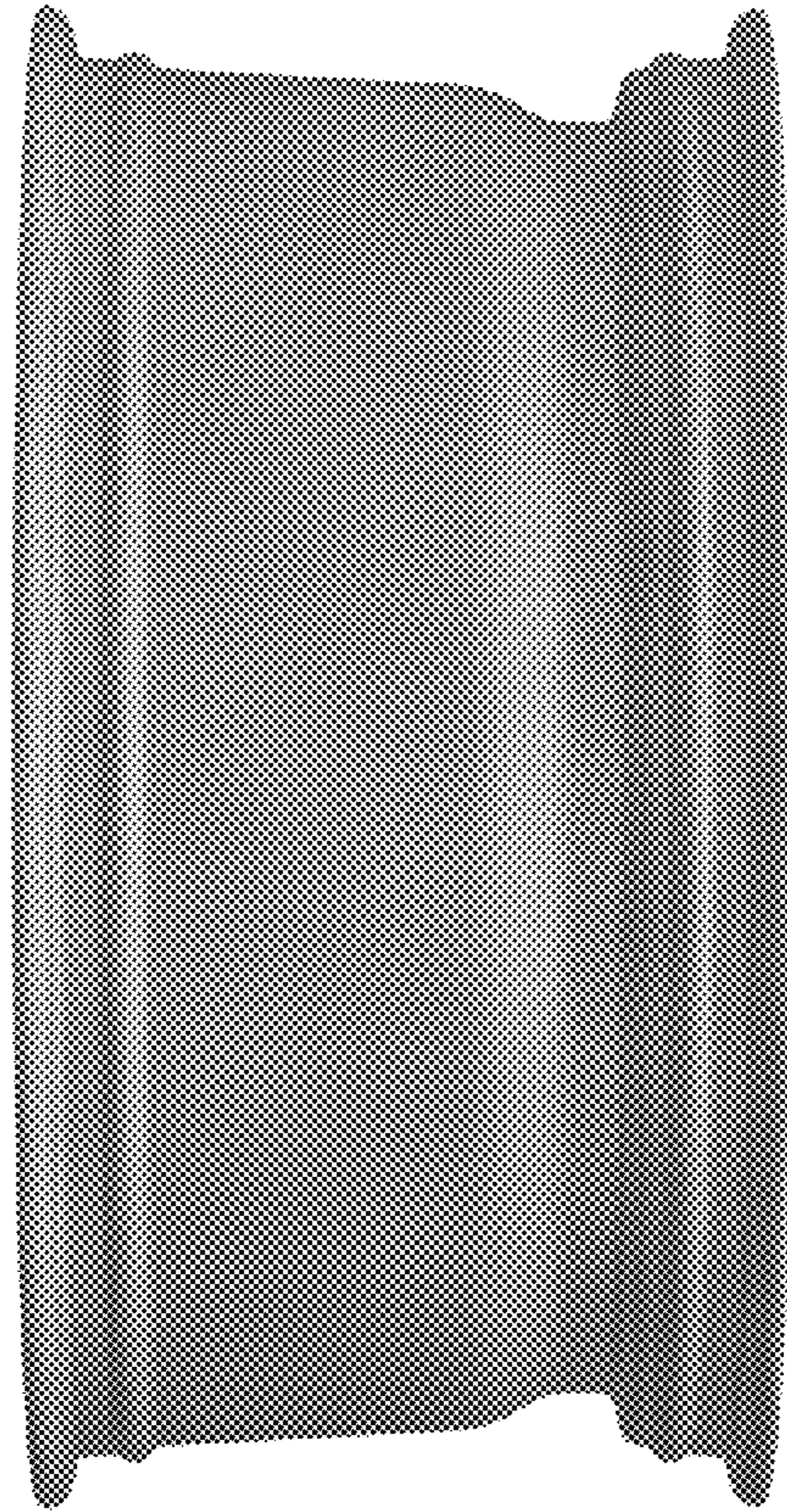


Fig. 6