



US00D887939S

(12) **United States Design Patent**
Hammoud

(10) **Patent No.:** **US D887,939 S**

(45) **Date of Patent:** **** Jun. 23, 2020**

(54) **WHEEL**

(71) Applicant: **Mohamad Hammoud**, Lake Orion, MI (US)

(72) Inventor: **Mohamad Hammoud**, Lake Orion, MI (US)

(73) Assignee: **FCA US LLC**, Auburn Hills, MI (US)

(**) Term: **15 Years**

(21) Appl. No.: **29/680,059**

(22) Filed: **Feb. 13, 2019**

(51) **LOC (12) Cl.** **12-16**

(52) **U.S. Cl.**
USPC **D12/209; D21/563**

(58) **Field of Classification Search**
USPC D12/204–213; D21/563
CPC B60B 7/00; B60B 7/02; B60B 7/04; B60B 7/01; B60B 7/06; B60B 3/02; B60B 3/04; B60B 3/06; B60B 3/10; B60B 1/00; B60B 1/08; B60B 1/10; B60B 1/12
See application file for complete search history.

(56) **References Cited**

U.S. PATENT DOCUMENTS

D371,761 S * 7/1996 Abbott D12/209
D508,884 S * 8/2005 Fridie D12/209

D533,126 S * 12/2006 Looho D12/209
D612,787 S * 3/2010 Juergens D12/209
D671,480 S * 11/2012 Cepkova D12/209
D673,493 S * 1/2013 Lemke D12/209
D677,609 S * 3/2013 Sabblah D12/209
D697,009 S * 1/2014 Pollmann D12/209
D740,196 S * 10/2015 Valencia Pollex D12/209
D741,771 S * 10/2015 Johnson D12/209
D788,004 S * 5/2017 Mielke D12/209
D847,070 S * 4/2019 Grewer D12/209
D856,896 S * 8/2019 Rosello Visa D12/209
D869,366 S * 12/2019 Imazato D12/209

* cited by examiner

Primary Examiner — Stacia A Cadmus

(74) *Attorney, Agent, or Firm* — Ralph E. Smith

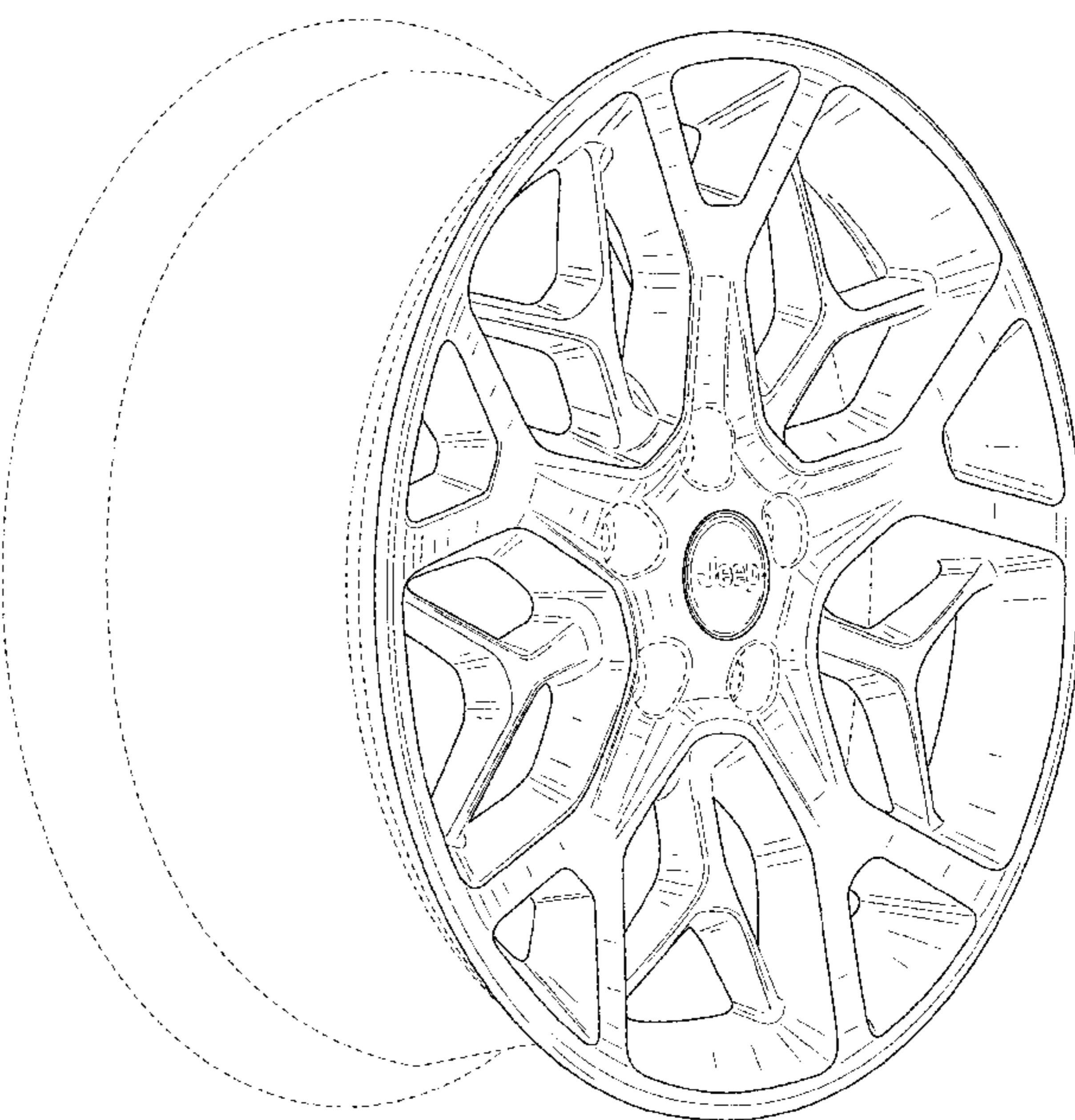
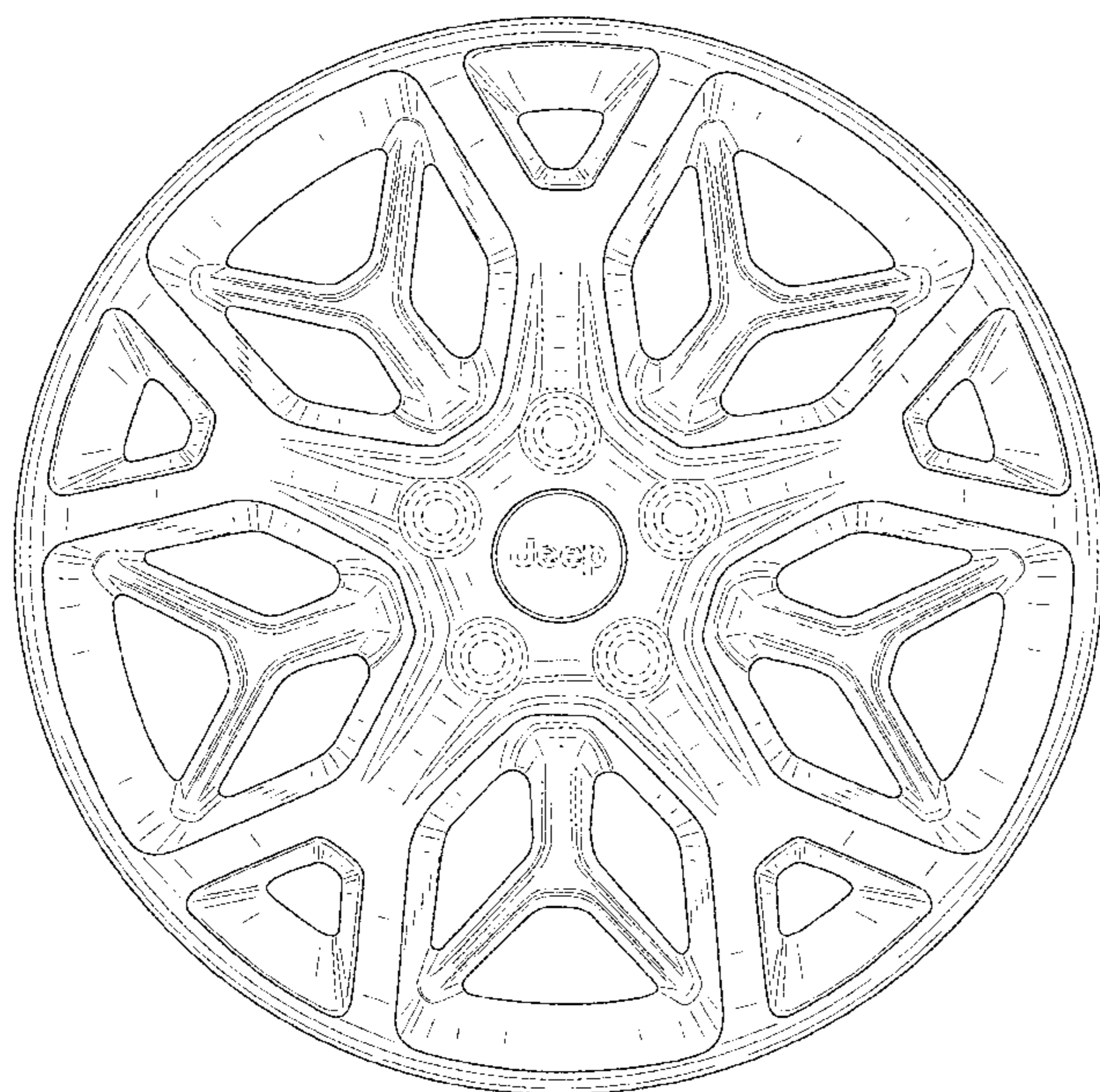
(57) **CLAIM**

The ornamental design for a wheel, as shown and described.

DESCRIPTION

FIG. 1 is a front view of a wheel showing our new design; FIG. 2 is a right perspective view thereof; and, FIG. 3 is a left perspective view thereof. It will be understood that the broken lines shown in the drawings illustrate portions of the wheel that form no part of the claimed design.

1 Claim, 3 Drawing Sheets



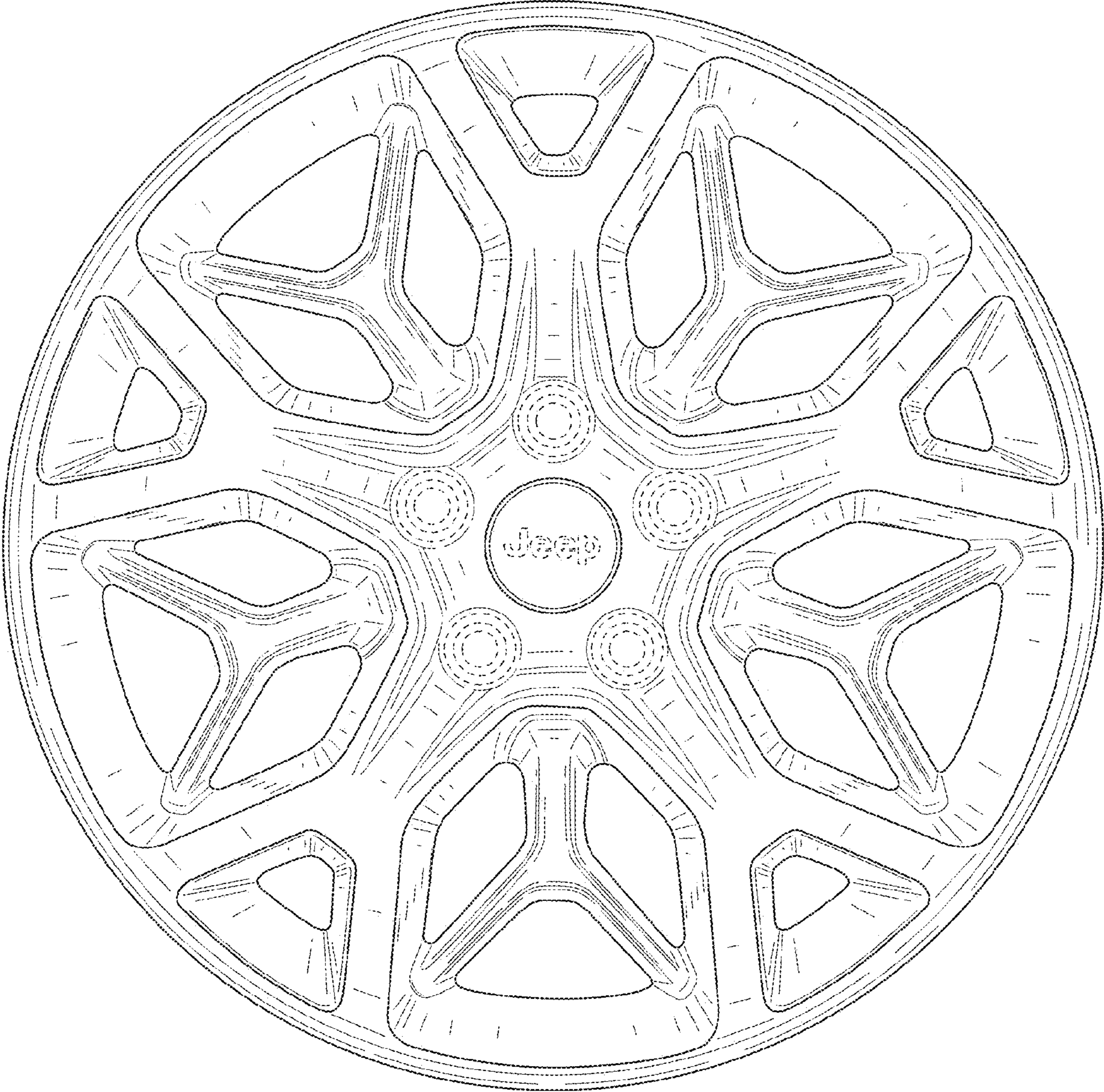


FIG. 1

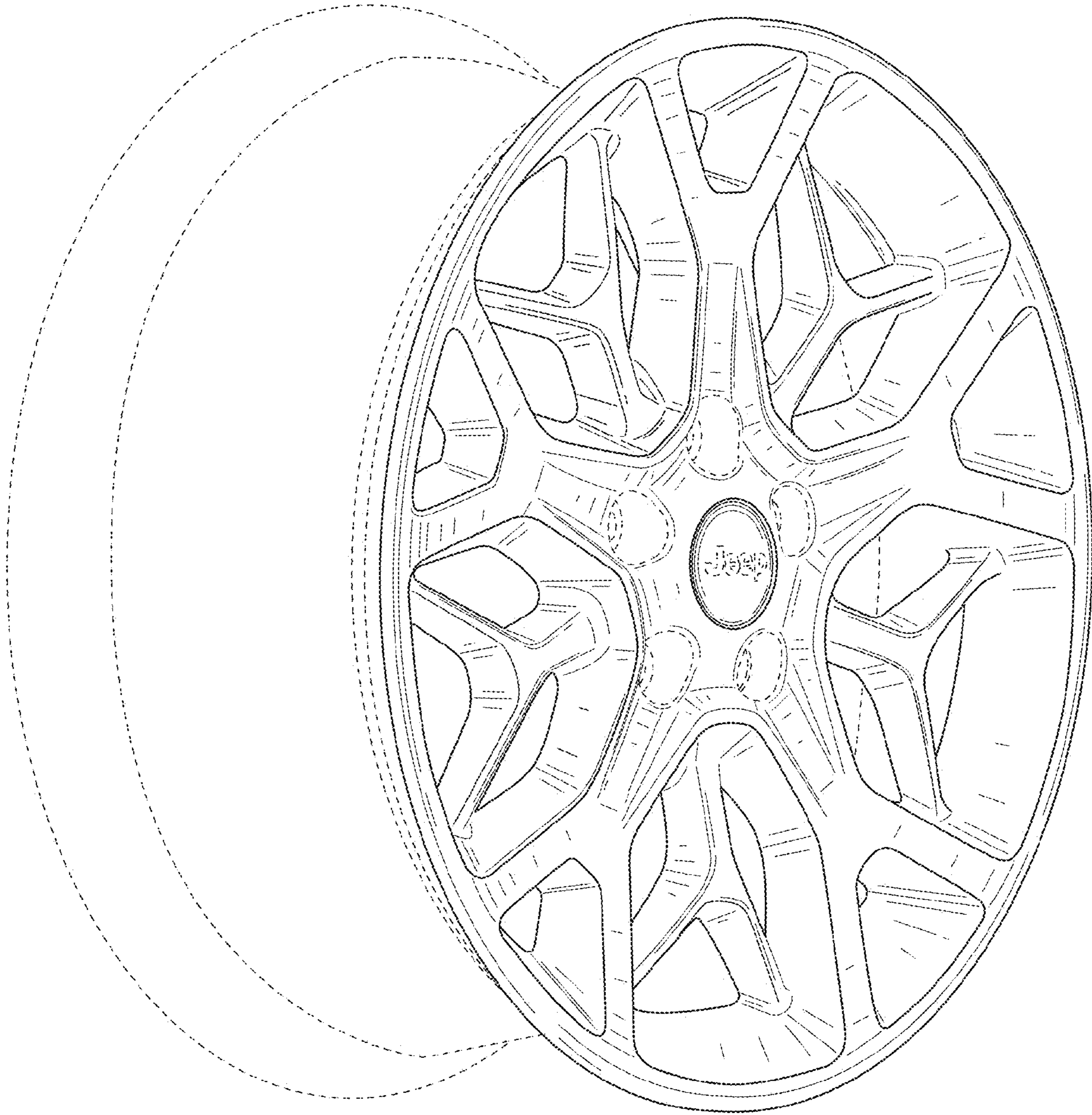


FIG. 2

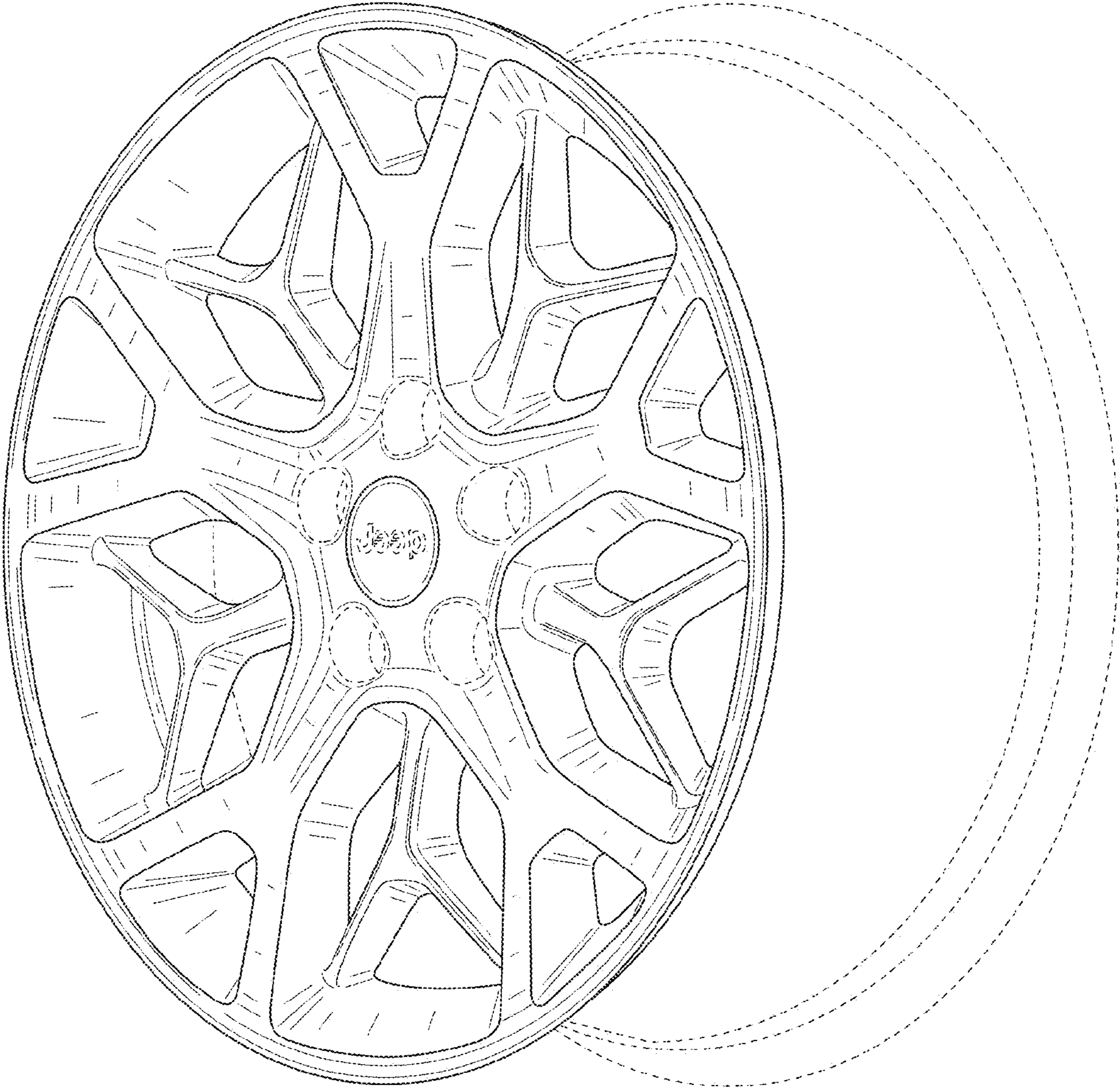


FIG. 3