



US00D887938S

(12) **United States Design Patent**  
**Stone et al.**

(10) **Patent No.:** **US D887,938 S**

(45) **Date of Patent:** **\*\* Jun. 23, 2020**

(54) **WHEEL**

(71) Applicants: **Nicolas R. Stone**, Royal Oak, MI (US);  
**Nicholas Vardis**, Sylvan Lake, MI (US)

(72) Inventors: **Nicolas R. Stone**, Royal Oak, MI (US);  
**Nicholas Vardis**, Sylvan Lake, MI (US)

(73) Assignee: **FCA US LLC**, Auburn Hills, MI (US)

(\*\*) Term: **15 Years**

(21) Appl. No.: **29/679,560**

(22) Filed: **Feb. 7, 2019**

(51) **LOC (12) Cl.** ..... **12-16**

(52) **U.S. Cl.**  
USPC ..... **D12/209**

(58) **Field of Classification Search**  
USPC ..... D12/204–213; D21/563  
CPC .... B60B 7/00; B60B 7/02; B60B 7/04; B60B  
7/01; B60B 7/06; B60B 3/02; B60B 3/04;  
B60B 3/06; B60B 3/10; B60B 1/00;  
B60B 1/08; B60B 1/10; B60B 1/12  
See application file for complete search history.

(56) **References Cited**

**U.S. PATENT DOCUMENTS**

D450,026 S	*	11/2001	Donikoglu	.....	D12/209
D455,703 S	*	4/2002	Foose	.....	D12/211
D470,812 S	*	2/2003	Chu	.....	D12/211
D495,649 S	*	9/2004	Schell	.....	D12/209
D498,195 S	*	11/2004	Guevara	.....	D12/211
D501,440 S	*	2/2005	Pfeiffer	.....	D12/211
D524,219 S	*	7/2006	Scheu	.....	D12/211
D577,323 S	*	9/2008	Chung	.....	D12/211
D578,458 S	*	10/2008	Cortes	.....	D12/211
D580,335 S	*	11/2008	Choi	.....	D12/211
D614,109 S	*	4/2010	Tant	.....	D12/211
D614,111 S	*	4/2010	Tant	.....	D12/211

D678,159 S	*	3/2013	Hale, Jr.	.....	D12/209
D686,959 S	*	7/2013	Hale	.....	D12/209
D688,187 S	*	8/2013	McMath	.....	D12/209
D695,188 S	*	12/2013	Chinavare	.....	D12/209
D706,695 S	*	6/2014	Platto	.....	D12/209
D706,699 S	*	6/2014	Platto	.....	D12/211
D706,700 S	*	6/2014	Platto	.....	D12/211
D708,108 S	*	7/2014	Wheel	.....	D12/209
D715,208 S	*	10/2014	Grake	.....	D12/204
D723,994 S	*	3/2015	Chung	.....	D12/211
D734,702 S	*	7/2015	Hale	.....	D12/209
D736,132 S	*	8/2015	Platto	.....	D12/209
D738,279 S	*	9/2015	Dionisopoulos et al.	.....	
D740,736 S	*	10/2015	Chung	.....	D12/211
D775,047 S	*	12/2016	Wheel	.....	D12/211
D800,628 S	*	10/2017	Tran	.....	D12/209
D802,509 S	*	11/2017	Tran	.....	D12/209
D803,136 S	*	11/2017	Platto	.....	D12/211
D838,645 S	*	1/2019	Dionisopoulos et al.	.....	
D852,110 S	*	6/2019	Guidry	.....	D12/211
D852,111 S	*	6/2019	Kong	.....	D12/211
D853,933 S	*	7/2019	Henderson	.....	D12/211
D856,245 S	*	8/2019	Hale, Jr.	.....	D12/209

\* cited by examiner

*Primary Examiner* — Stacia A Cadmus

(74) *Attorney, Agent, or Firm* — Ralph E. Smith

(57) **CLAIM**

The ornamental design for a wheel, as shown and described.

**DESCRIPTION**

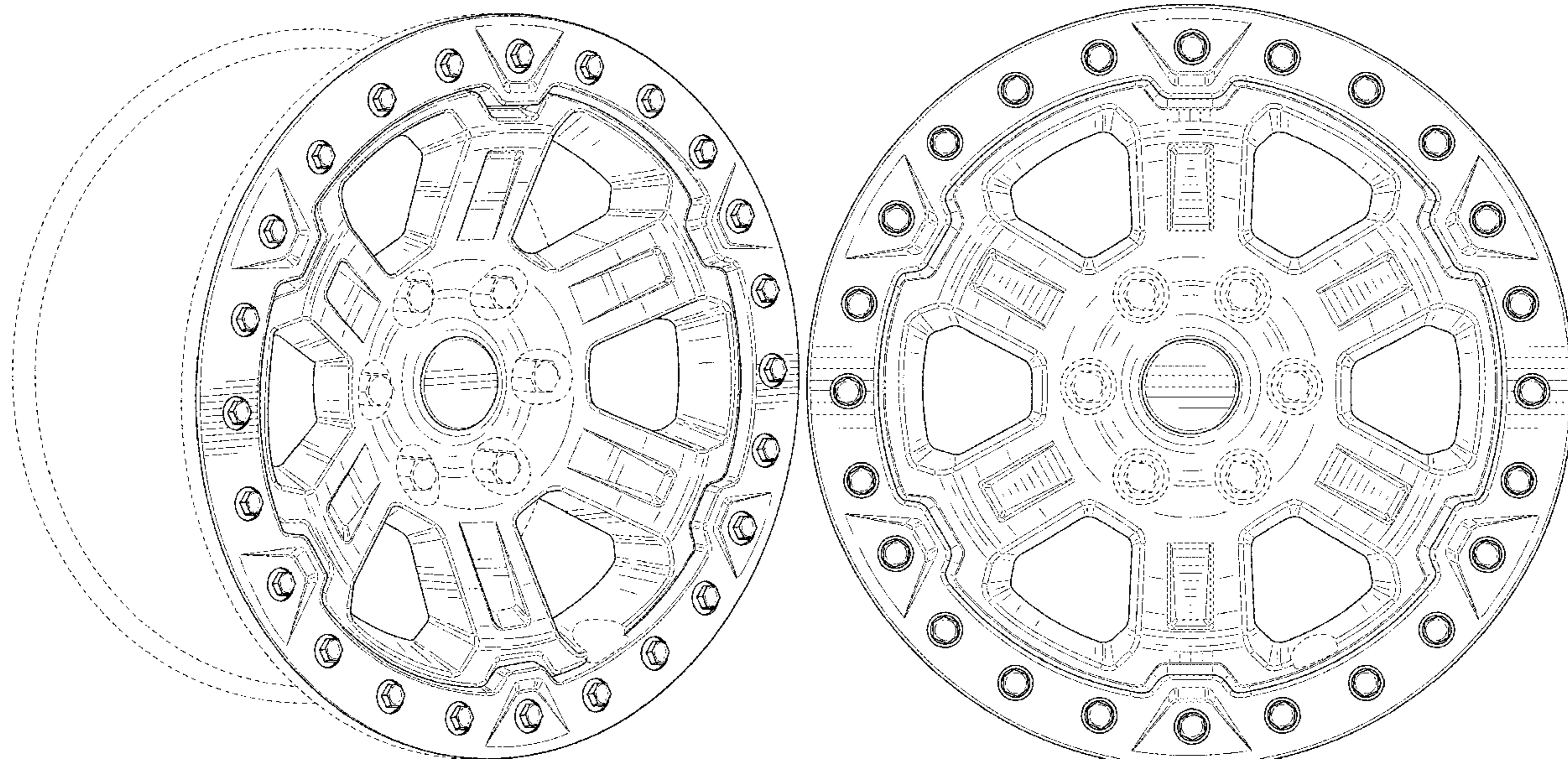
FIG. 1 is a right perspective view of a wheel showing our new design;

FIG. 2 is a left perspective view thereof; and,

FIG. 3 is a front view thereof.

It will be understood that the broken lines shown in the drawings illustrate portions of the wheel that form no part of the claimed design.

**1 Claim, 3 Drawing Sheets**



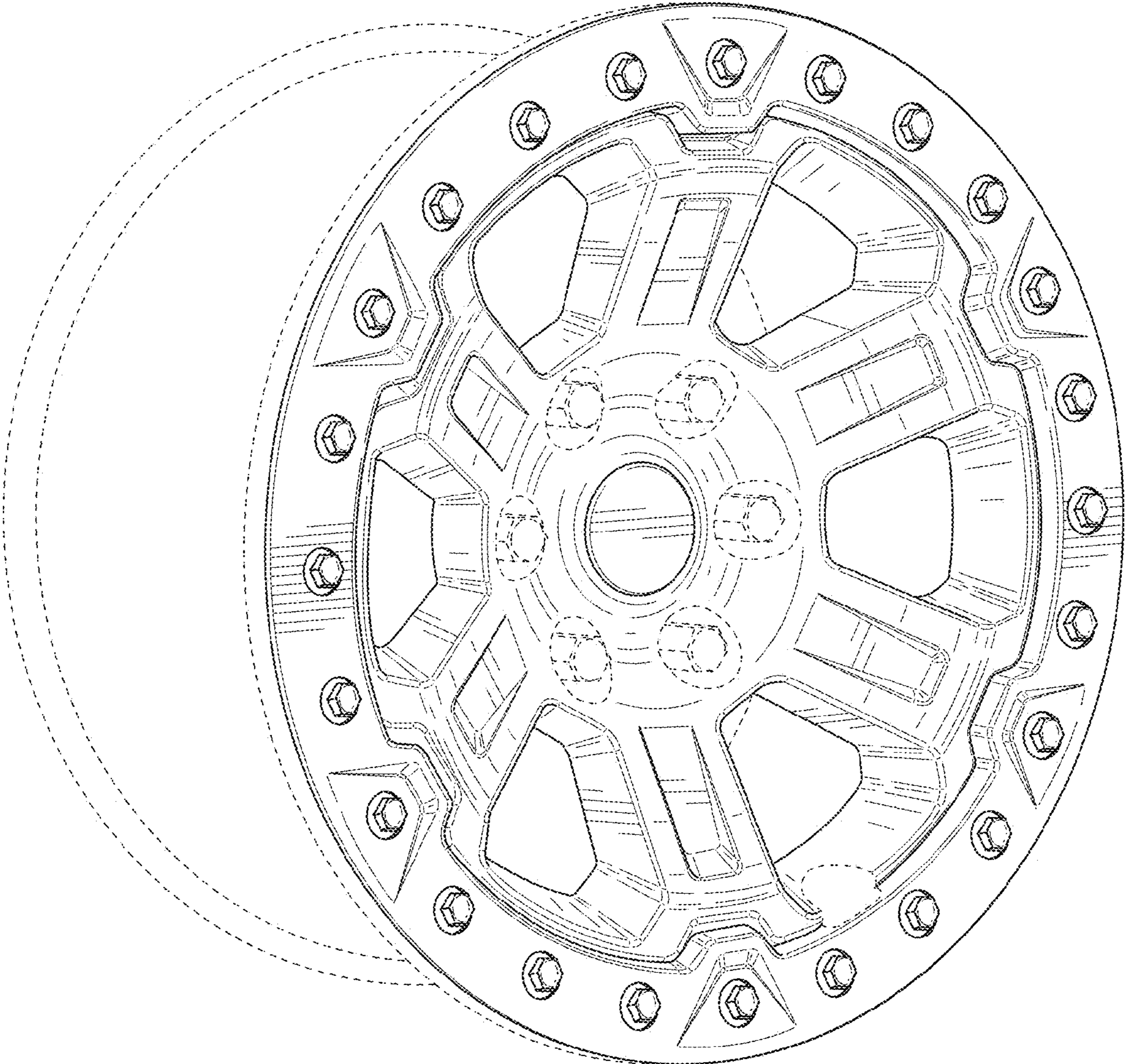


FIG. 1

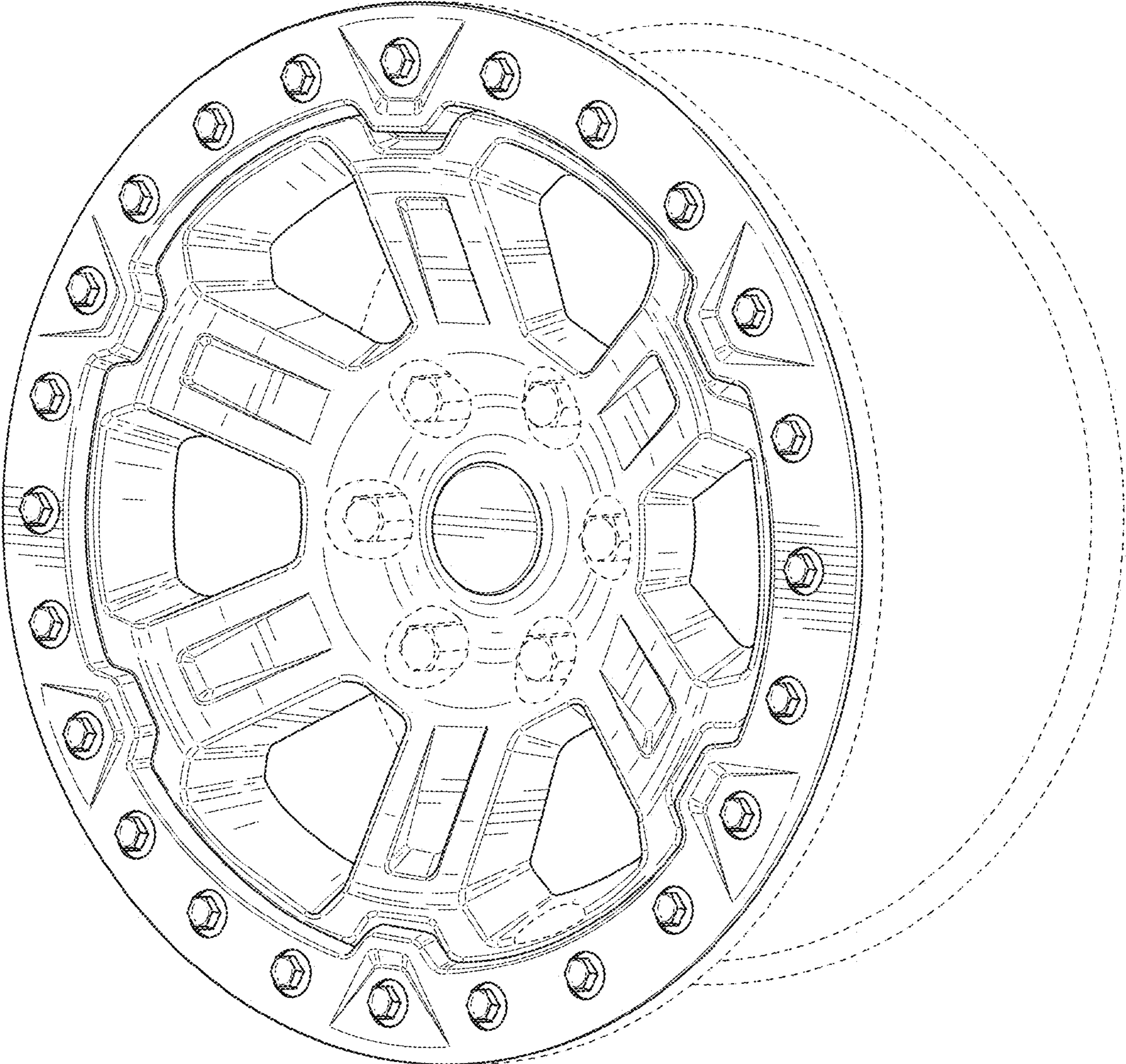


FIG. 2

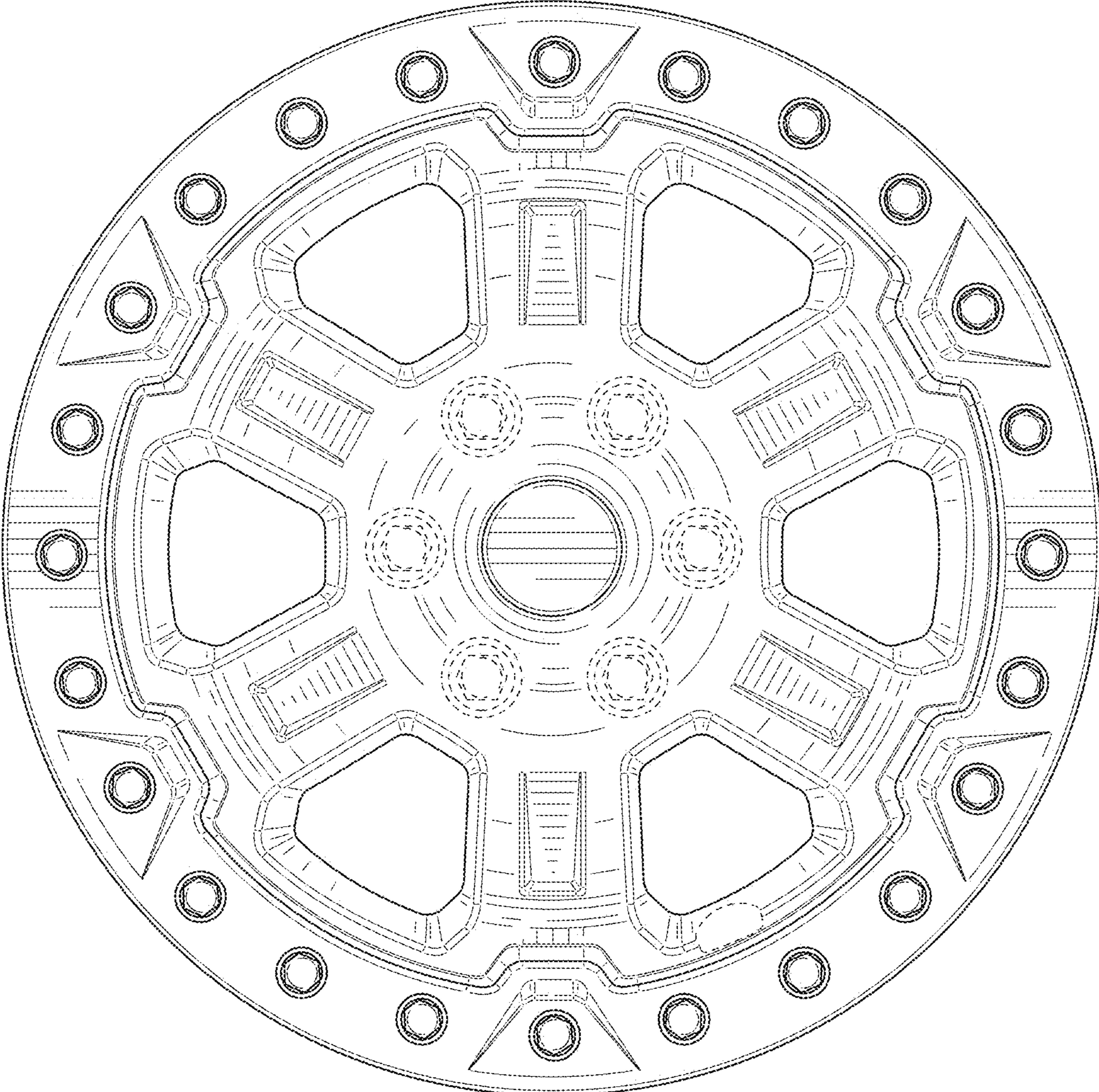


FIG. 3