



US00D887937S

(12) **United States Design Patent**  
**Platto et al.**

(10) **Patent No.:** **US D887,937 S**

(45) **Date of Patent:** **\*\* Jun. 23, 2020**

(54) **VEHICLE WHEEL**

(71) Applicant: **Ford Global Technologies, LLC**,  
Dearborn, MI (US)

(72) Inventors: **Gordon Platto**, Troy, MI (US); **Sean Tant**, Livonia, MI (US); **Joshua Henry**, Detroit, MI (US); **Seunghee Oh**, Royal Oak, MI (US)

(73) Assignee: **Ford Global Technologies, LLC**,  
Dearborn, MI (US)

(\*\*) Term: **15 Years**

(21) Appl. No.: **29/678,075**

(22) Filed: **Jan. 25, 2019**

(51) **LOC (12) Cl.** ..... **12-16**

(52) **U.S. Cl.**

USPC ..... **D12/209**

(58) **Field of Classification Search**

USPC ..... D12/204–213

CPC .... B60B 7/00; B60B 7/02; B60B 7/04; B60B 7/01; B60B 7/06; B60B 3/02; B60B 3/04; B60B 3/06; B60B 3/10; B60B 1/00; B60B 1/08; B60B 1/10; B60B 1/12

See application file for complete search history.

(56) **References Cited**

**U.S. PATENT DOCUMENTS**

D515,493 S *	2/2006	Schaefers	.....	D12/211
D524,218 S *	7/2006	Madden	.....	D12/211
D527,333 S *	8/2006	Blasi	.....	D12/211
D544,426 S	1/2007	Siler		
D617,715 S *	6/2010	Gallert	.....	D12/211
D658,560 S *	5/2012	Thurner	.....	D12/209

D668,196 S	10/2012	Tant et al.		
D669,010 S *	10/2012	Nakano	.....	D12/211
D688,185 S *	8/2013	Baum	.....	D12/209
D697,016 S *	1/2014	Gonser	.....	D12/211
D704,119 S *	5/2014	Platto	.....	D12/209
D705,153 S *	5/2014	Hall	.....	D12/209
D715,723 S *	10/2014	Gotschke	.....	D12/204
D718,207 S *	11/2014	Grake	.....	D12/211
D735,106 S *	7/2015	Weil	.....	D12/209
D775,577 S *	1/2017	Holstein	.....	D12/211
D783,488 S	4/2017	Platto et al.		
D783,498 S	4/2017	Platto et al.		
D783,499 S	4/2017	Platto et al.		
D784,236 S	4/2017	Platto et al.		
D784,237 S	4/2017	Platto et al.		
D784,895 S	4/2017	Platto et al.		
D788,006 S	5/2017	Platto et al.		
D788,007 S	5/2017	Platto et al.		
D824,832 S *	8/2018	Oh	.....	D12/209
D852,703 S *	7/2019	De Jung	.....	D12/209
D853,301 S *	7/2019	Hahn	.....	D12/209

\* cited by examiner

*Primary Examiner* — Stacia A Cadmus

(74) *Attorney, Agent, or Firm* — Vichit Chea

(57) **CLAIM**

The ornamental design for a vehicle wheel, as shown and described.

**DESCRIPTION**

FIG. 1 is a front elevational view of a vehicle wheel showing our new design; and,

FIG. 2 is a side perspective view of a front face thereof.

Any broken lines represent an internal boundary of the design; the line itself and the area within form no part of the claim.

**1 Claim, 2 Drawing Sheets**

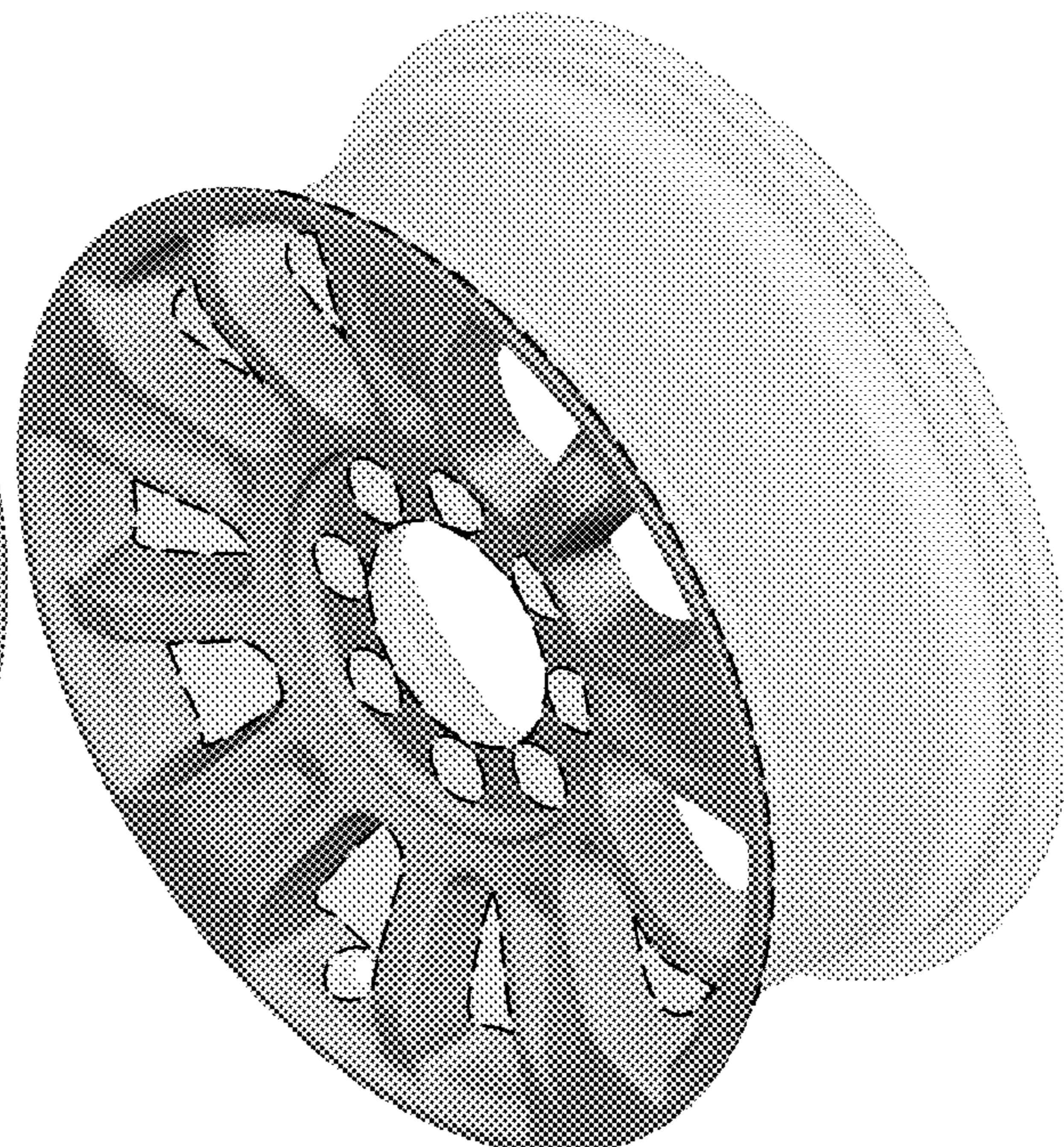
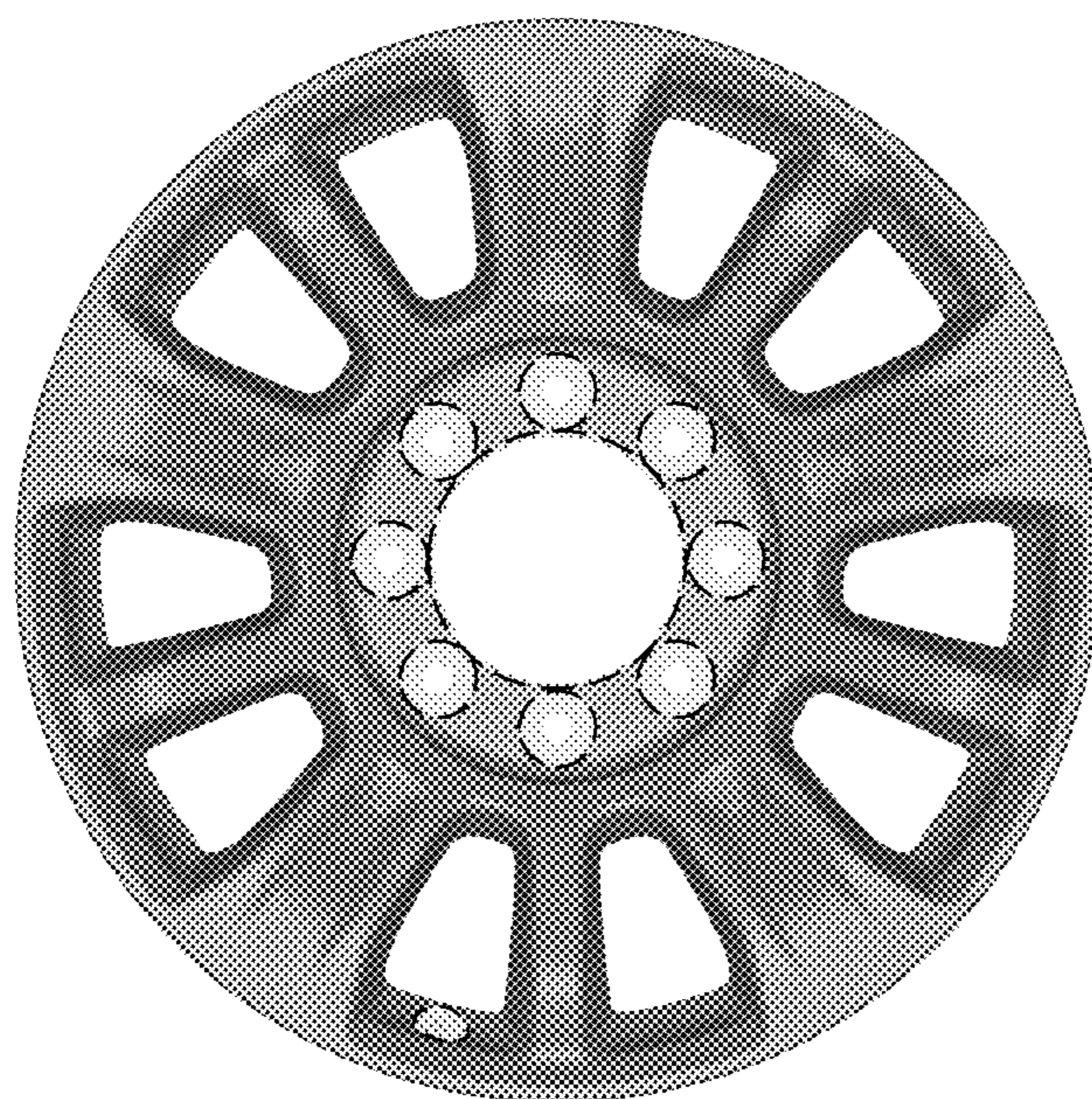




Fig. 1



Fig. 2