



US00D887933S

(12) **United States Design Patent**  
**Gillam et al.**

(10) **Patent No.:** **US D887,933 S**  
(45) **Date of Patent:** **\*\* Jun. 23, 2020**

- (54) **SIDE PANEL**
- (71) Applicants: **Michael C. Gillam**, Oxford, MI (US);  
**Joseph S. Dehner**, Bloomfield Hills, MI (US)
- (72) Inventors: **Michael C. Gillam**, Oxford, MI (US);  
**Joseph S. Dehner**, Bloomfield Hills, MI (US)
- (73) Assignee: **FCA US LLC**, Auburn Hills, MI (US)
- (\*\*) Term: **15 Years**
- (21) Appl. No.: **29/689,213**
- (22) Filed: **Apr. 29, 2019**

- D758,935 S \* 6/2016 Platto ..... D12/184
- 9,403,557 B1 \* 8/2016 Sharma ..... C21D 1/06
- 9,487,238 B2 \* 11/2016 Iwano ..... B62D 25/025
- D775,031 S \* 12/2016 Frascella ..... D12/184
- D787,395 S \* 5/2017 Curic ..... D12/181
- 9,669,876 B2 \* 6/2017 Iwano ..... B62D 25/04
- 9,738,322 B2 \* 8/2017 Matthiessen ..... B62D 25/02
- D803,119 S \* 11/2017 Beermann ..... D12/184
- D803,741 S \* 11/2017 Tsubaki ..... D12/184
- D805,013 S \* 12/2017 Whitla ..... D12/181
- D806,622 S \* 1/2018 Granlund ..... D12/184
- D807,261 S \* 1/2018 Zavatski ..... D12/184
- 9,890,966 B2 \* 2/2018 Mueller ..... B62D 25/16
- D817,829 S \* 5/2018 Behmer ..... D12/184
- D820,751 S \* 6/2018 Luk ..... D12/184
- D823,741 S \* 7/2018 Kim ..... D12/169
- 10,023,241 B2 \* 7/2018 Umemoto ..... B62D 25/161
- 10,035,543 B2 \* 7/2018 Sato ..... B62D 25/2036
- D826,811 S \* 8/2018 Lim ..... D12/184
- D827,527 S \* 9/2018 Loeb ..... D12/184
- D827,528 S \* 9/2018 Gueler ..... D12/184

(Continued)

**Related U.S. Application Data**

- (63) Continuation-in-part of application No. 29/626,547, filed on Nov. 17, 2017, now Pat. No. Des. 868,632, and a continuation-in-part of application No. 29/626,539, filed on Nov. 17, 2017, now Pat. No. Des. 847,030, and a continuation-in-part of application No. 29/626,530, filed on Nov. 17, 2017, now Pat. No. Des. 847,029.
- (51) **LOC (12) Cl.** ..... **12-16**
- (52) **U.S. Cl.**  
USPC ..... **D12/196**
- (58) **Field of Classification Search**  
USPC ..... D12/181, 184, 186, 196  
CPC ..... B62D 25/08; B62D 25/10; B62D 35/00;  
B62D 35/007; B62D 35/02  
See application file for complete search history.

(56) **References Cited**

**U.S. PATENT DOCUMENTS**

- 9,278,716 B1 \* 3/2016 Joseph ..... B62D 25/18
- D756,870 S \* 5/2016 Tsutamori ..... D12/184

*Primary Examiner* — Susan Bennett Hattan  
*Assistant Examiner* — Suzanne E Tisdell  
(74) *Attorney, Agent, or Firm* — Ralph E. Smith

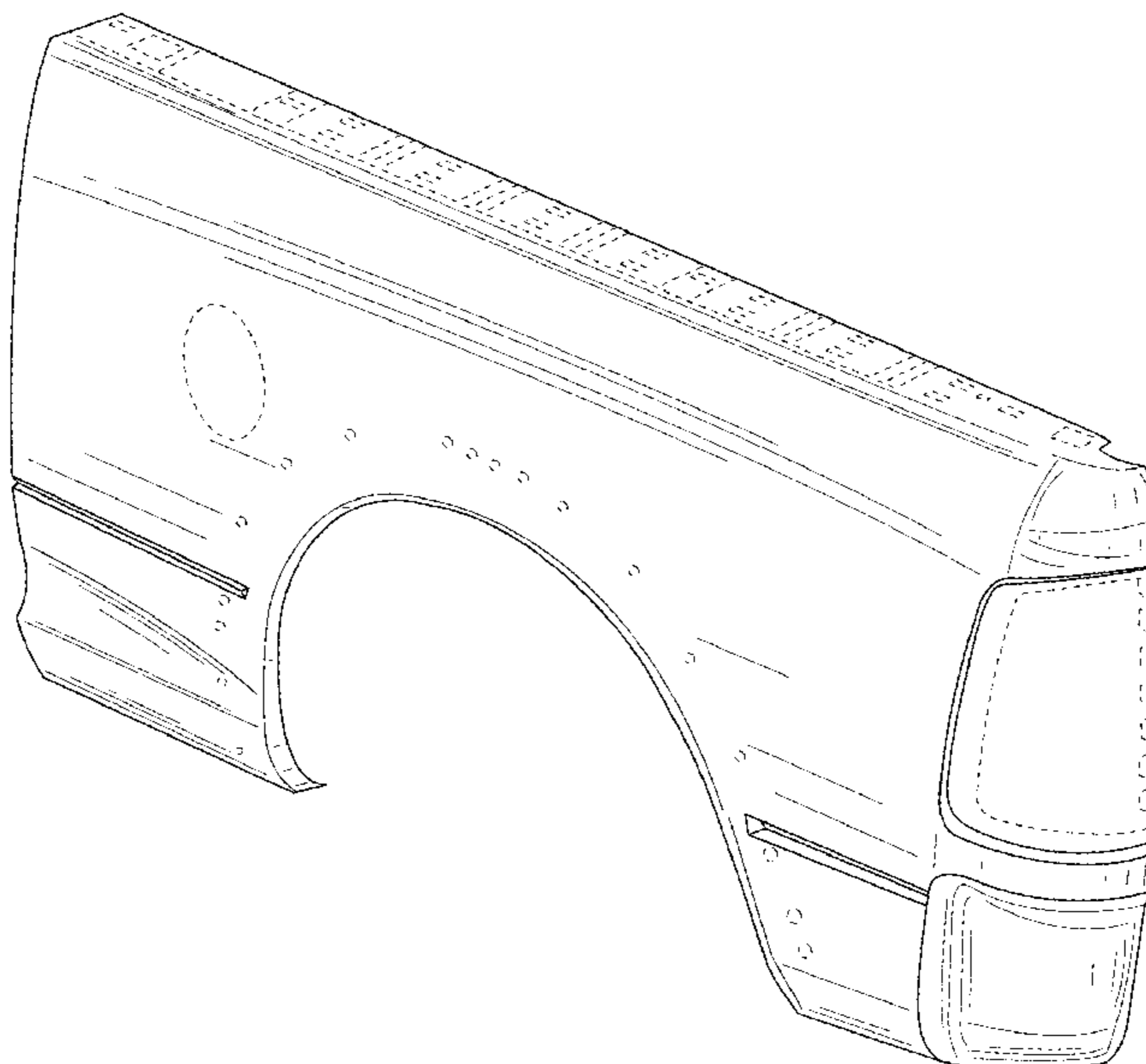
(57) **CLAIM**

The ornamental design for a side panel, as shown and described.

**DESCRIPTION**

FIG. 1 is a front perspective view of a side panel showing our new design;  
FIG. 2 is a rear view thereof;  
FIG. 3 is a front view thereof;  
FIG. 4 is a side view thereof;  
FIG. 5 is a top view thereof; and,  
FIG. 6 is a bottom view thereof.  
It will be understood that the broken lines shown in the drawings illustrate portions of the side panel that form no part of the claimed design.

**1 Claim, 6 Drawing Sheets**



(56)

**References Cited**

U.S. PATENT DOCUMENTS

D827,529 S \* 9/2018 Al Attar ..... D12/184  
D828,254 S \* 9/2018 Simm ..... D12/184  
10,077,085 B2 \* 9/2018 Pfaffelhuber ..... B62D 29/043

\* cited by examiner

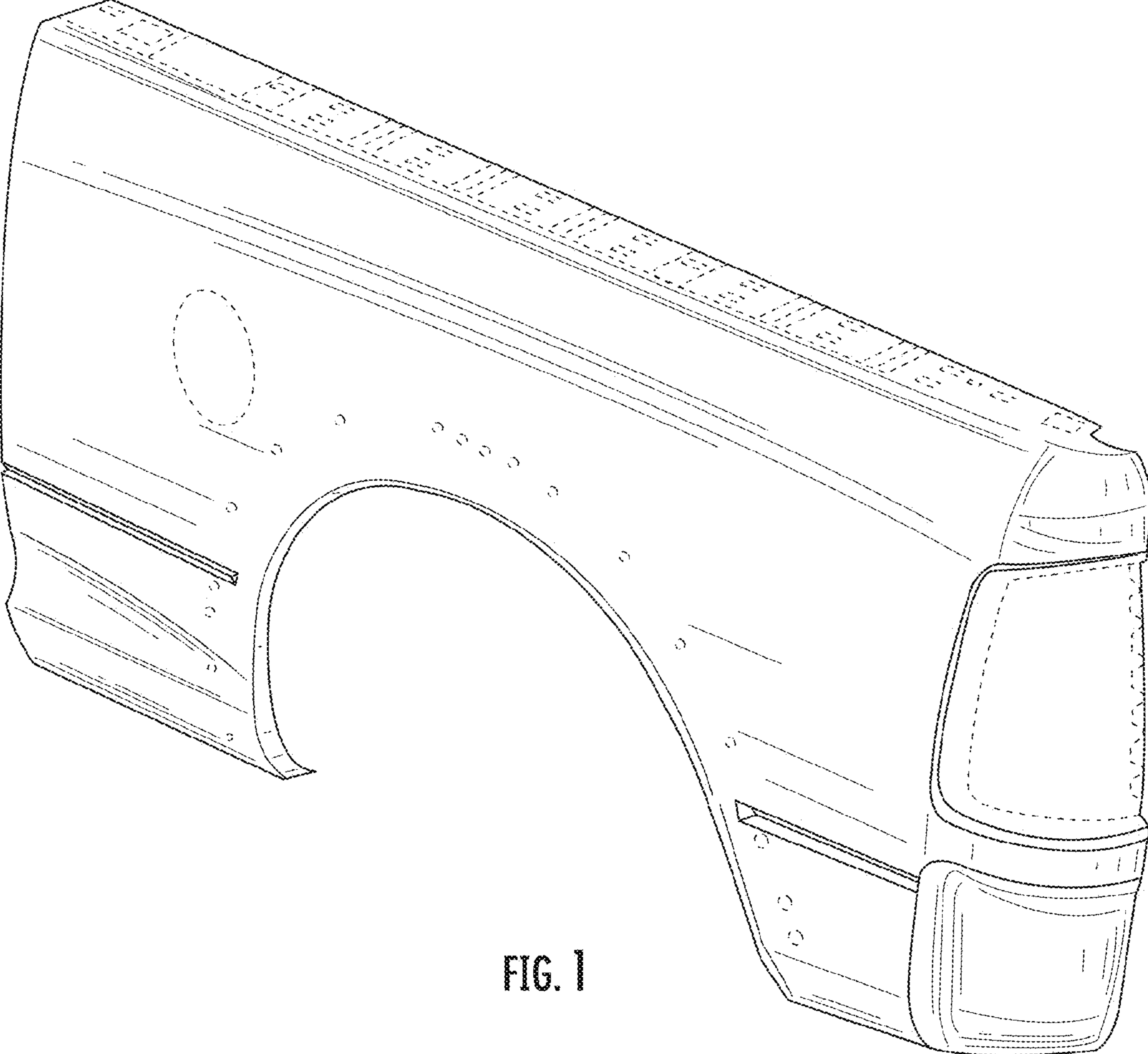


FIG. 1

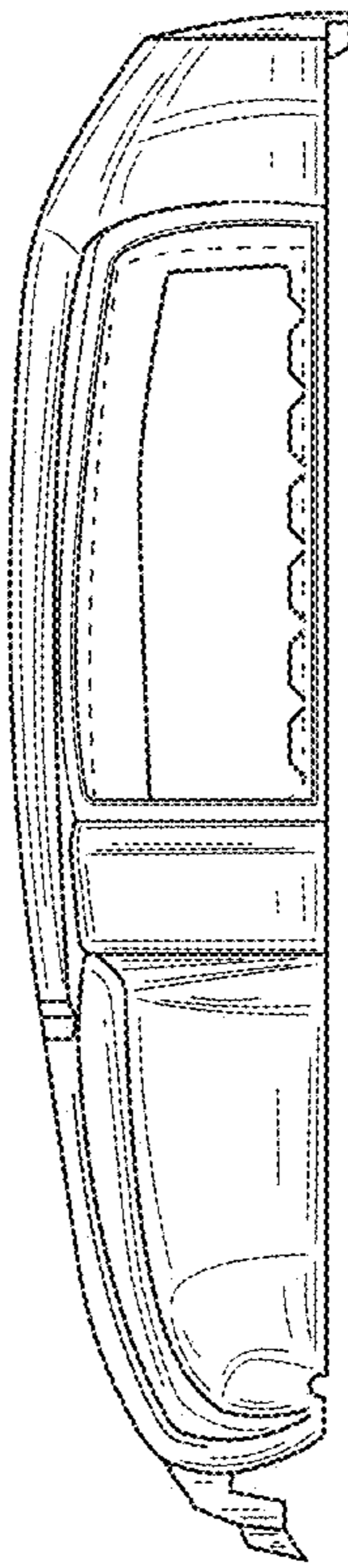


FIG. 2

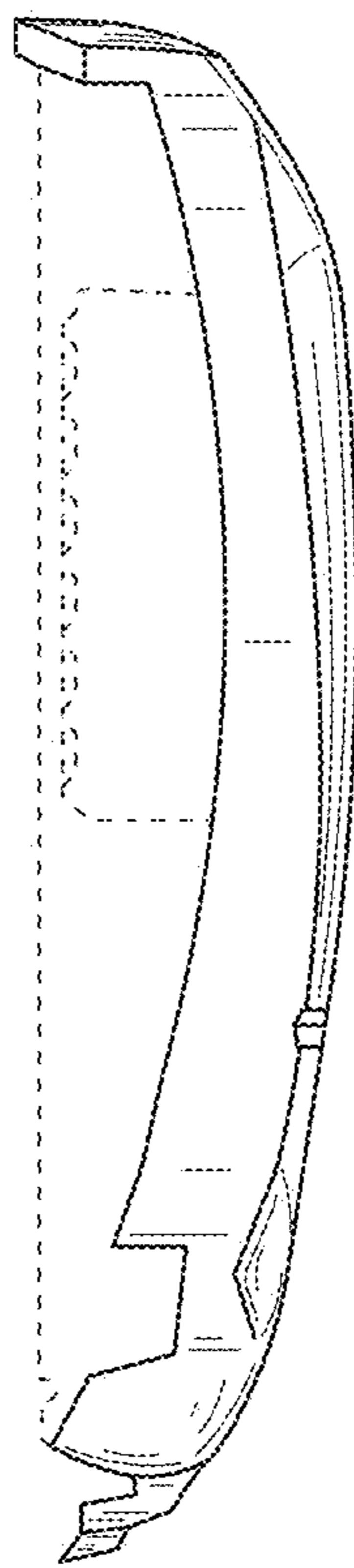


FIG. 3



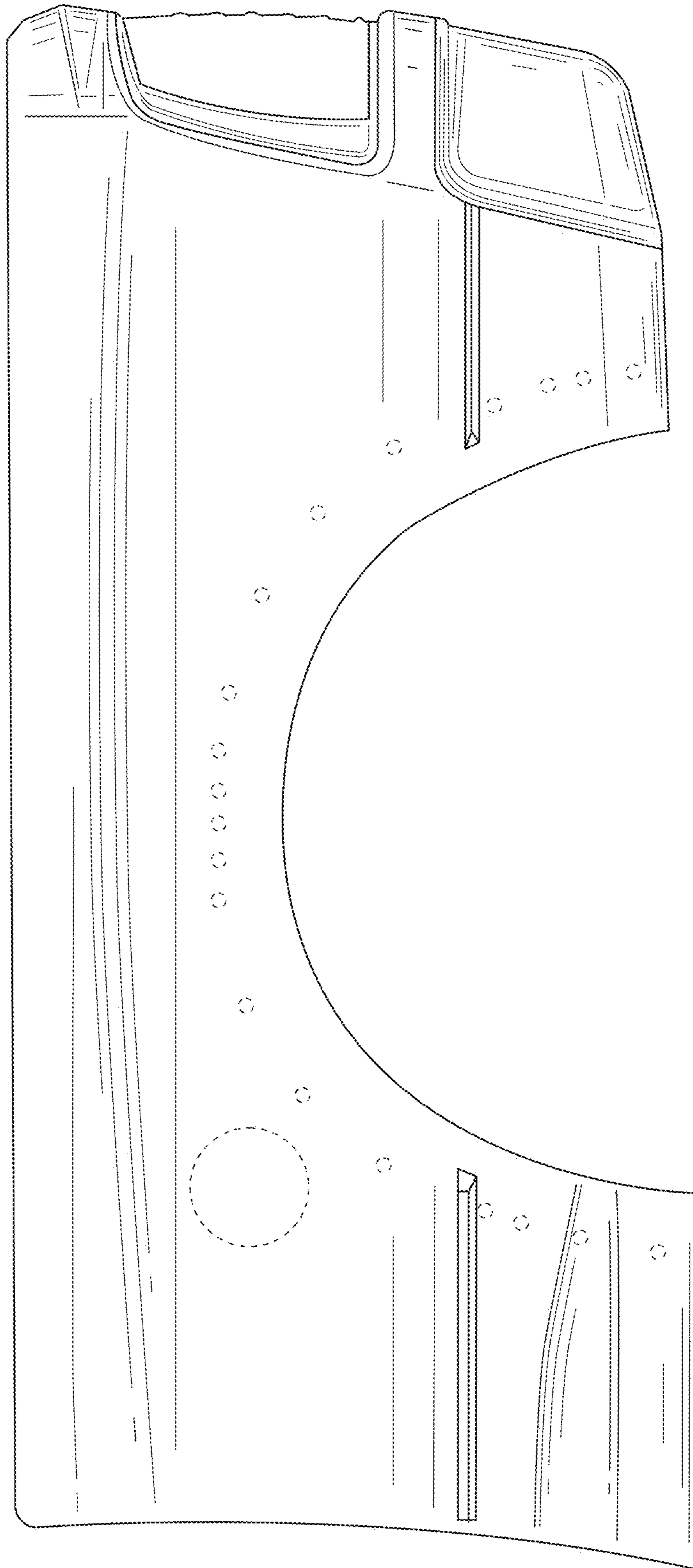


FIG. 4

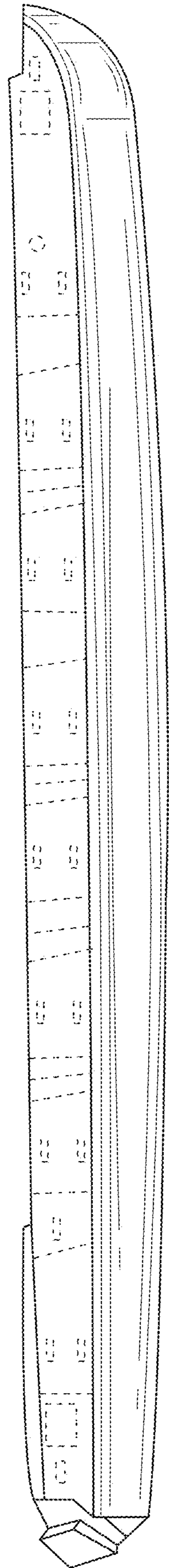


FIG. 5

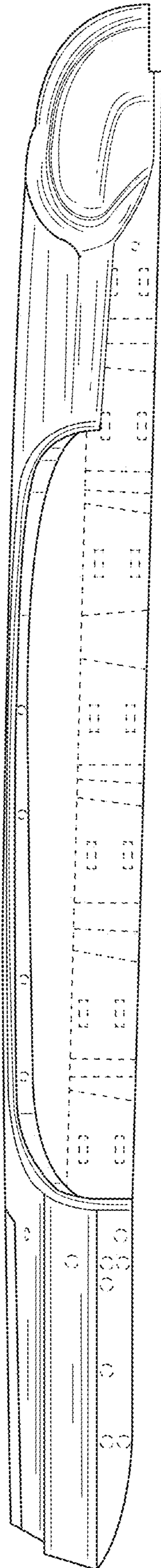


FIG. 6