



US00D887930S

(12) **United States Design Patent**
Borla

(10) **Patent No.:** **US D887,930 S**

(45) **Date of Patent:** **** Jun. 23, 2020**

(54) **EXHAUST CROSSOVER ASSEMBLY**

(71) Applicant: **David Akiba Borla**, Thousand Oaks,
CA (US)

(72) Inventor: **David Akiba Borla**, Thousand Oaks,
CA (US)

(**) Term: **15 Years**

(21) Appl. No.: **29/668,132**

(22) Filed: **Oct. 27, 2018**

(51) **LOC (12) Cl.** **12-14**

(52) **U.S. Cl.**
USPC **D12/194**

(58) **Field of Classification Search**
USPC D12/194; D15/5
CPC F01N 13/143; F01N 13/1811; F01N 1/06
See application file for complete search history.

(56) **References Cited**

U.S. PATENT DOCUMENTS

4,342,195	A *	8/1982	Lo	F01N 13/10 60/313
4,621,494	A	11/1986	Fujita		
4,800,719	A	1/1989	Campbell		
4,926,634	A	5/1990	Pütz et al.		
4,953,352	A	9/1990	Campbell		
5,018,349	A	5/1991	Pemberton		
5,144,799	A	9/1992	Barth		
5,214,253	A	5/1993	Houston, Jr.		
5,216,883	A	6/1993	Flugger		
5,727,386	A	3/1998	Watanabe et al.		
5,740,671	A	4/1998	Jones		
6,247,305	B1	6/2001	Bassani		
6,478,340	B1	11/2002	Butler		
6,662,900	B2	12/2003	Cathcart et al.		
7,426,980	B2	9/2008	Bassani		
7,596,944	B2	10/2009	Mueller et al.		

7,610,748	B2	11/2009	Kono et al.		
7,856,815	B2	12/2010	Demura et al.		
7,866,709	B2	1/2011	Spieth et al.		
8,181,732	B1 *	5/2012	Butler	B60K 13/04 180/309
8,209,972	B2	7/2012	Tüch		
8,474,252	B2	7/2013	Butler		
D696,614	S	12/2013	Lee et al.		
8,869,932	B2	10/2014	Butler et al.		
9,284,868	B2	3/2016	Pommerer et al.		

* cited by examiner

Primary Examiner — Michael A. Pratt
(74) *Attorney, Agent, or Firm* — Matthew M. Googe;
Robinson IP Law, PLLC

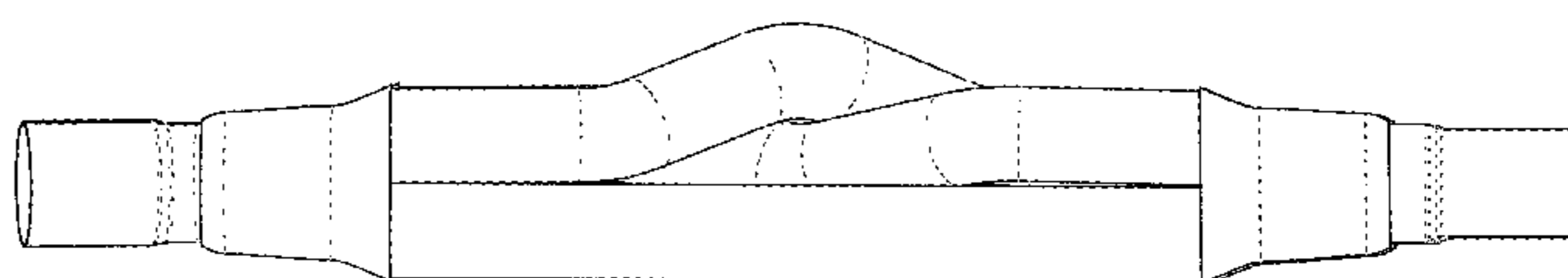
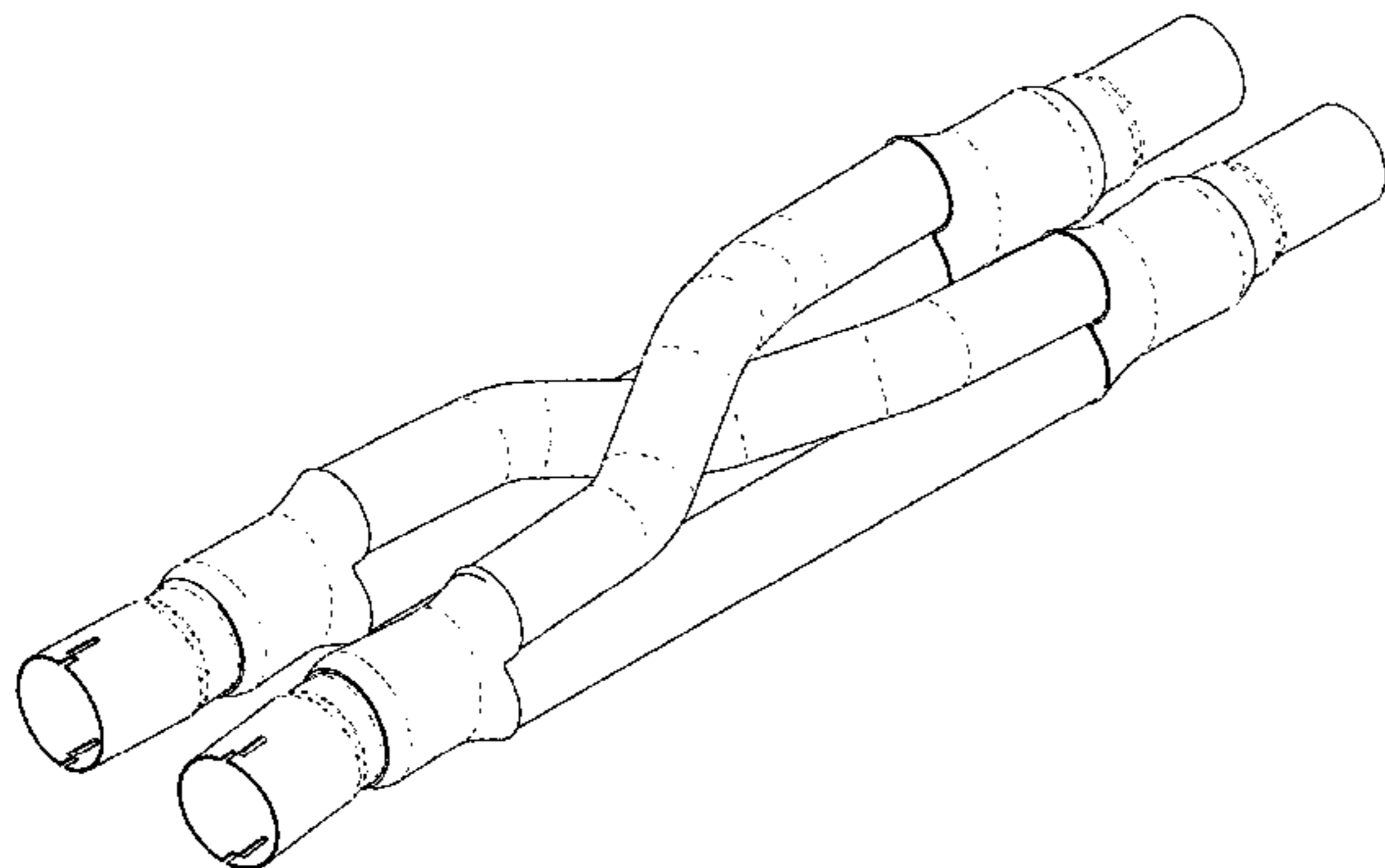
(57) **CLAIM**

The ornamental design for an exhaust crossover assembly, as shown and described.

DESCRIPTION

FIG. 1 is a front, left perspective view of the automobile exhaust collector showing the new design;
FIG. 2 is a top plan view thereof;
FIG. 3 is a bottom plan view thereof;
FIG. 4 is a side elevational view thereof;
FIG. 5 is a front elevational view thereof; and,
FIG. 6 is a rear elevational view thereof.
The structural features and indicia depicted by broken lines have been shown for the purpose of illustrating portions of the automobile exhaust collector that form no part of the claimed design.
The thin solid lines in the views have been provided for the purpose of illustrating the uniformity of the planar surfaces and the contour of the curved surfaces and are not a claimed surface pattern.

1 Claim, 6 Drawing Sheets



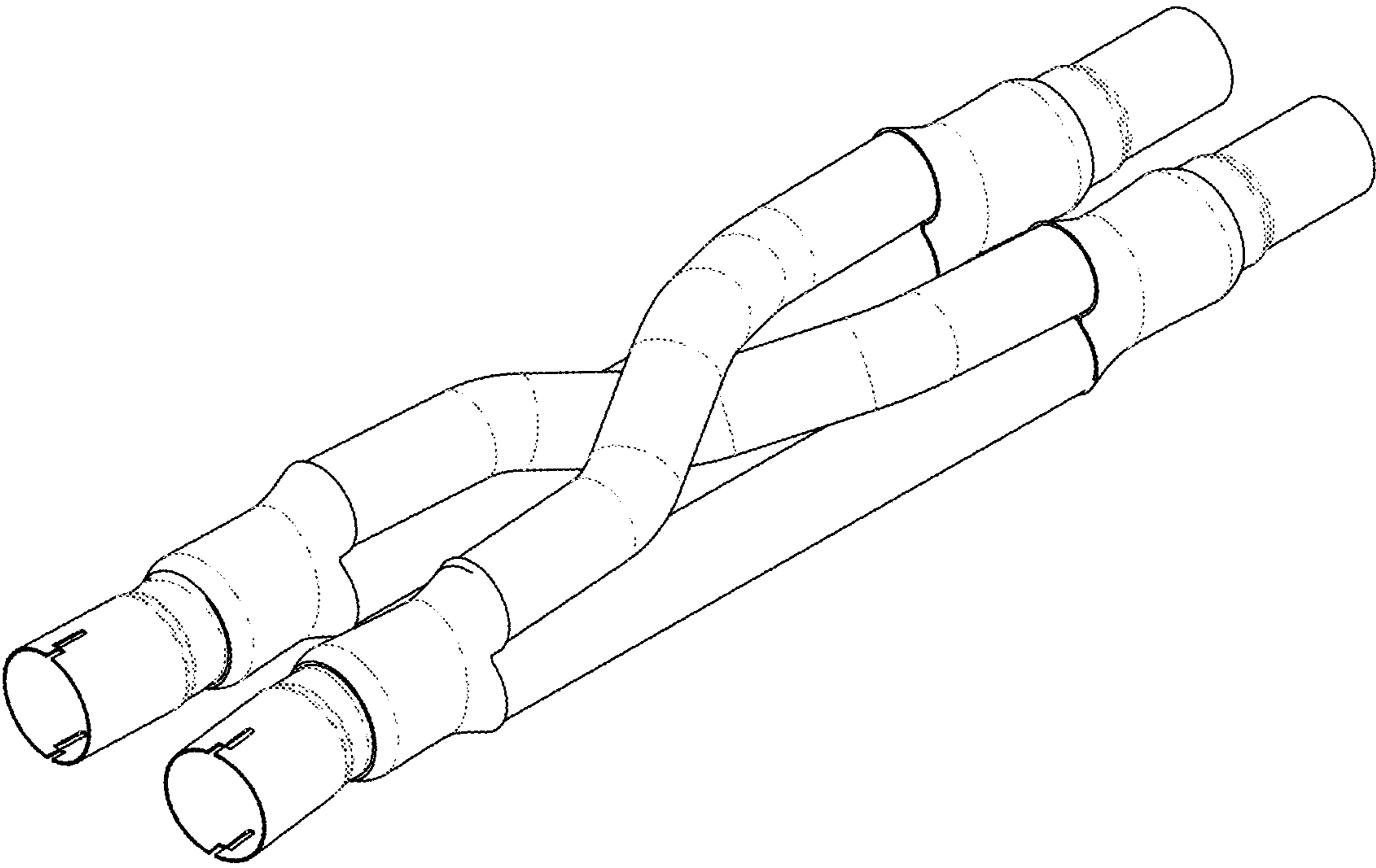


FIG. 1

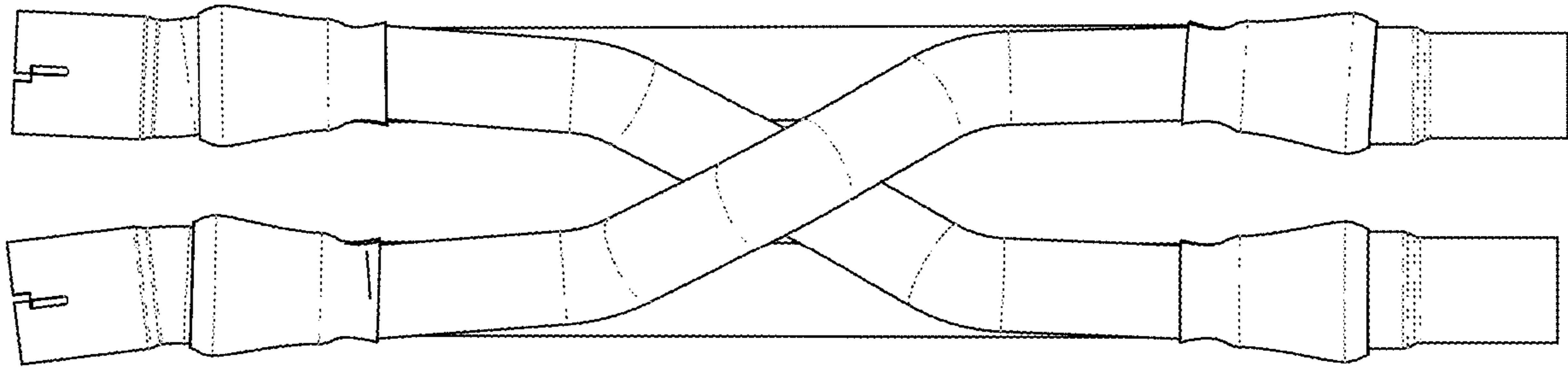


FIG. 2

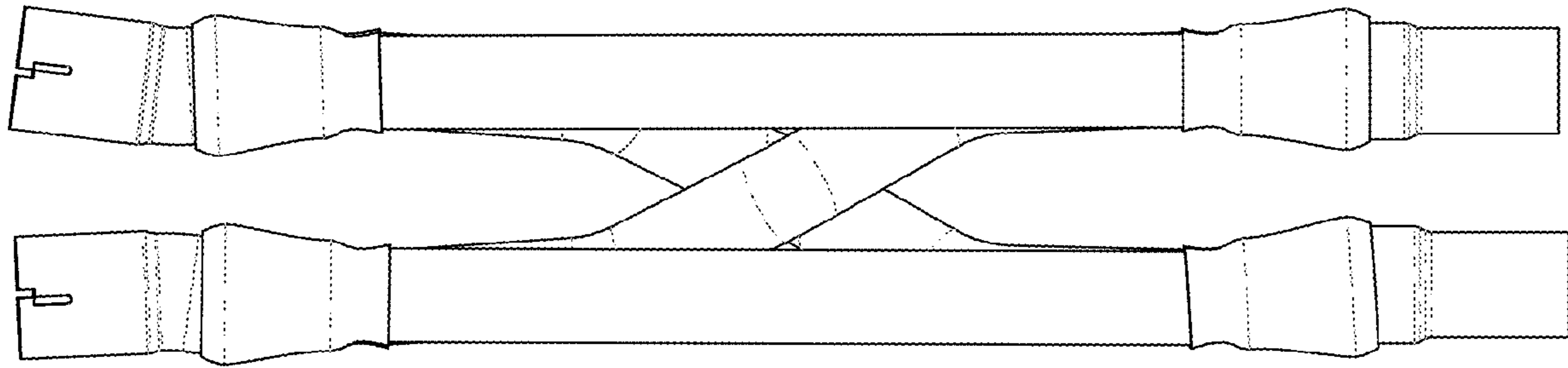


FIG. 3

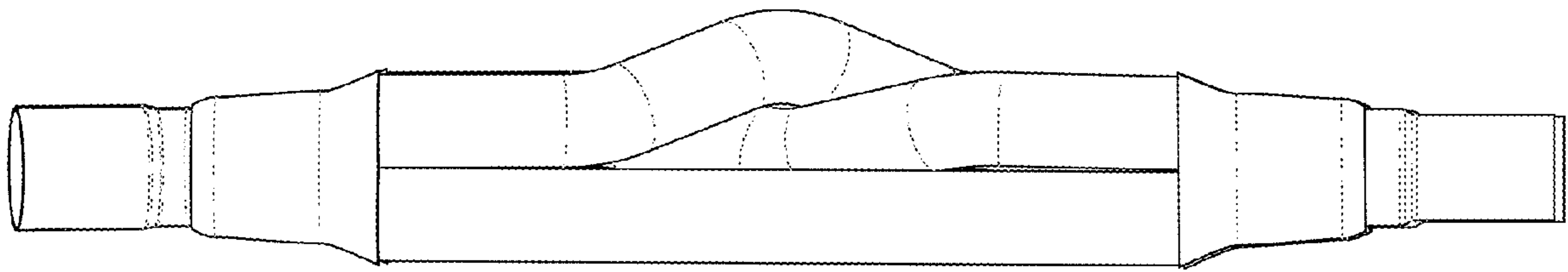


FIG. 4

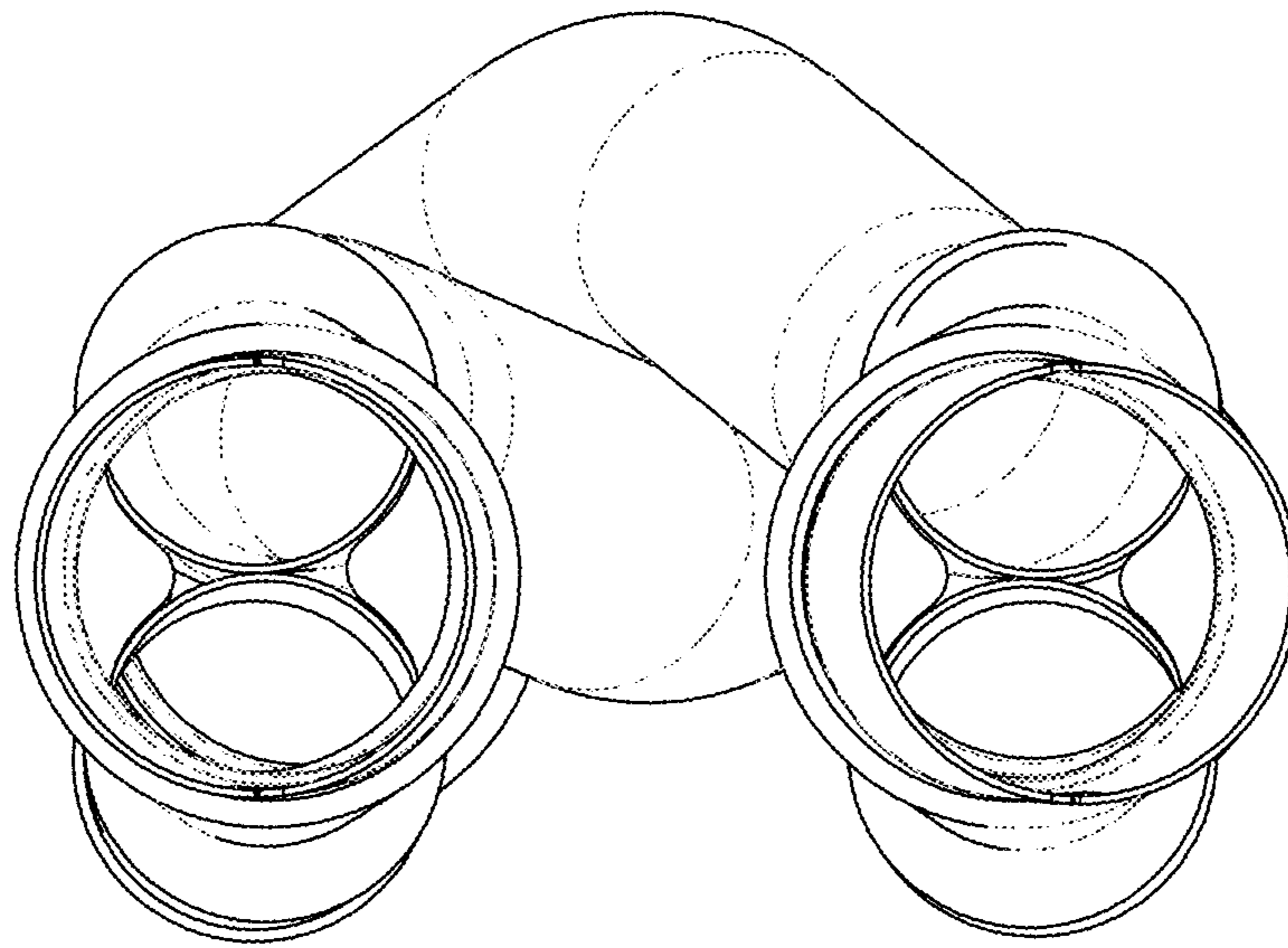


FIG. 5

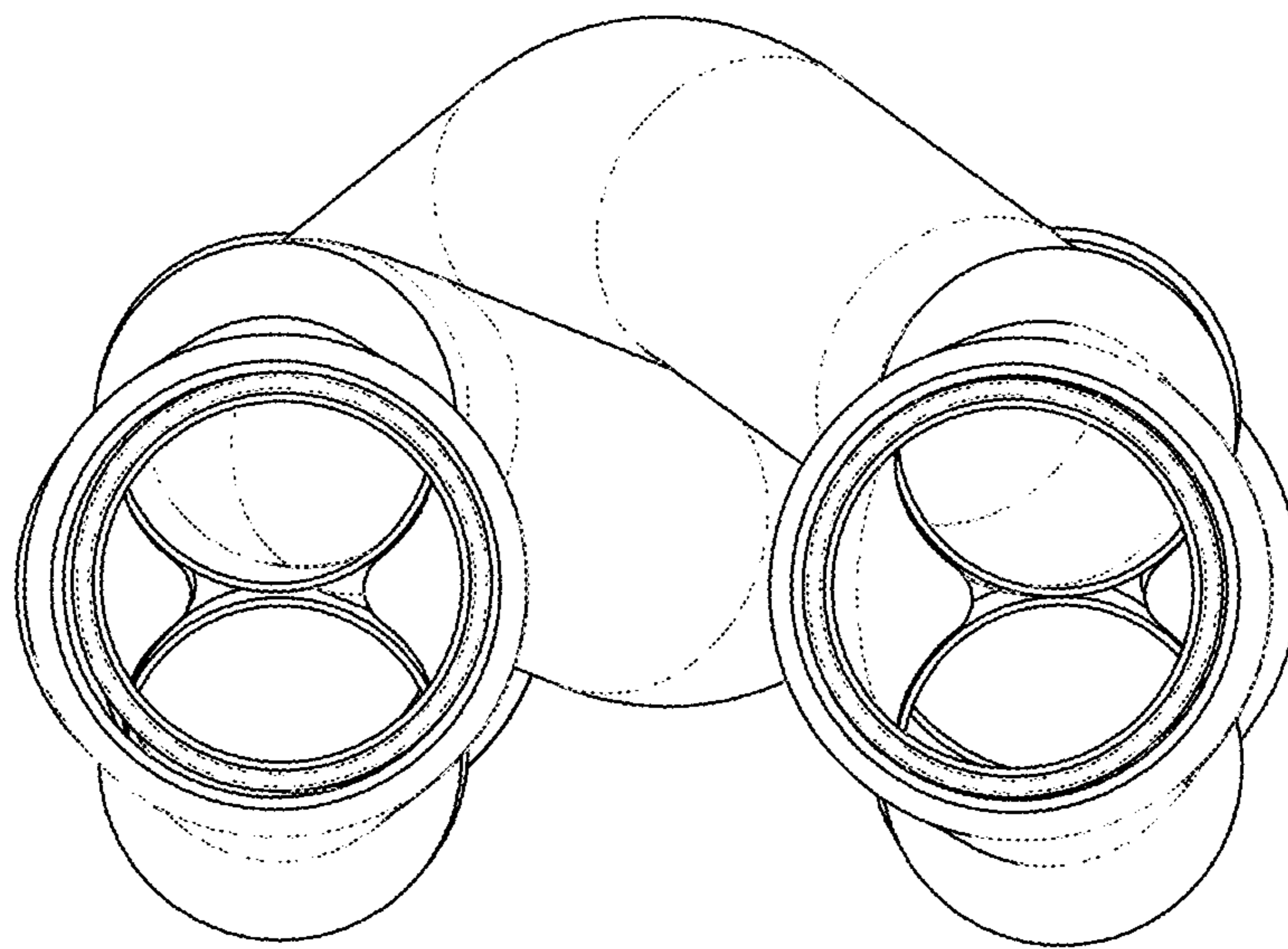


FIG. 6