



US00D887924S

(12) **United States Design Patent** (10) **Patent No.:** **US D887,924 S**
Ye (45) **Date of Patent:** **** Jun. 23, 2020**

(54) **SWITCH FOR A BREAK PAD**

(56) **References Cited**

(71) Applicant: **Chongqing Richland Mold Corp.,**
Chongqing (CN)

U.S. PATENT DOCUMENTS

(72) Inventor: **Lin Ye,** Chongqing (CN)

D418,098 S * 12/1999 Wallace D12/180
D867,239 S * 11/2019 Kodama D12/180
D868,655 S * 12/2019 Thorpe D12/180

(73) Assignee: **CHONGQING RICHLAND MOLD**
CORP., Chongqing (CN)

* cited by examiner

(**) Term: **15 Years**

Primary Examiner — Abraham Bahta

(21) Appl. No.: **29/664,372**

(74) *Attorney, Agent, or Firm* — Cheng-Ju Chiang

(22) Filed: **Sep. 24, 2018**

(57) **CLAIM**

(30) **Foreign Application Priority Data**

The ornamental design for a switch for a break pad, as shown and described.

Apr. 20, 2018 (CN) 2018 3 0165063

DESCRIPTION

(51) **LOC (12) Cl.** **12-16**

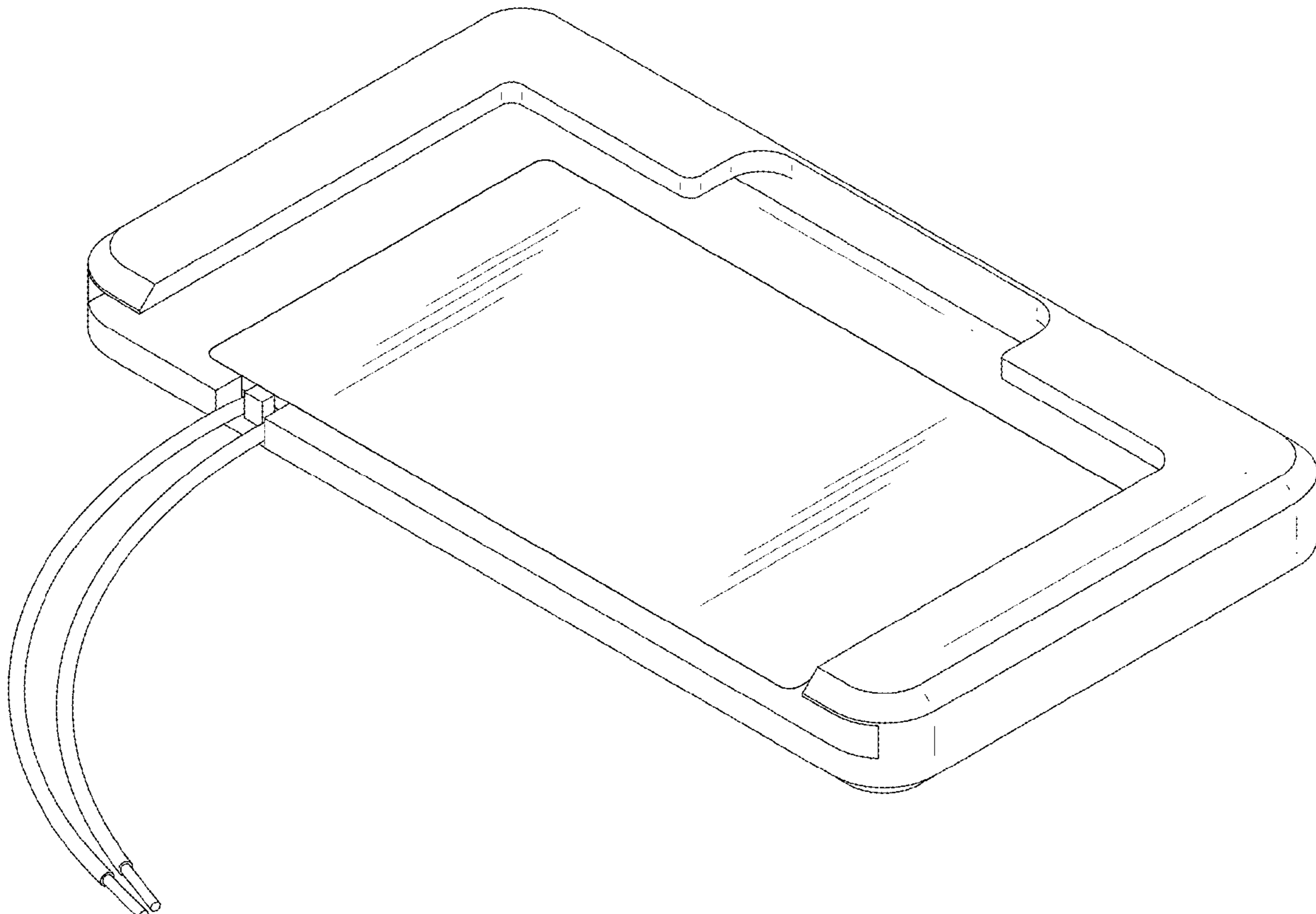
(52) **U.S. Cl.**
USPC **D12/180**

(58) **Field of Classification Search**
USPC D12/179-180, 123
CPC F16D 55/224; F16D 55/226; F16D 55/227;
F16D 55/228; F16D 55/22655; F16D
55/2262; F16D 65/0977; F16D 65/0978;
B60T 8/368; B60T 8/344; B60T 8/3675;
B60T 8/171; B60T 8/3225; B60T 8/00

FIG. 1 is a front, top and right perspective view of a switch for a break pad showing my new design;
FIG. 2 is a front elevational view thereof;
FIG. 3 is a back elevational view thereof;
FIG. 4 is a left side elevational view thereof;
FIG. 5 is a right side elevational view thereof;
FIG. 6 is a top plan view thereof; and,
FIG. 7 is a bottom plan view thereof.

See application file for complete search history.

1 Claim, 7 Drawing Sheets



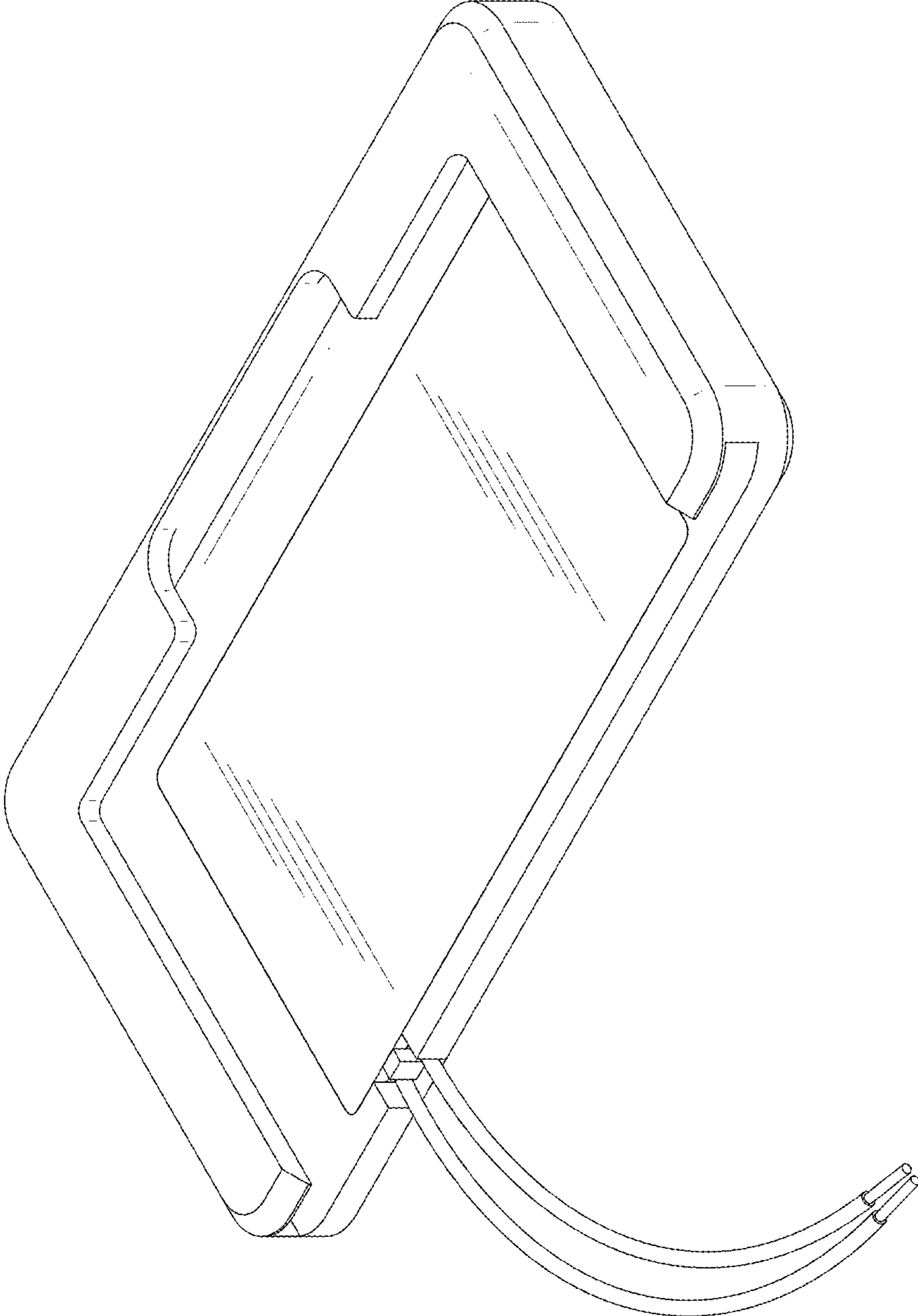


FIG. 1

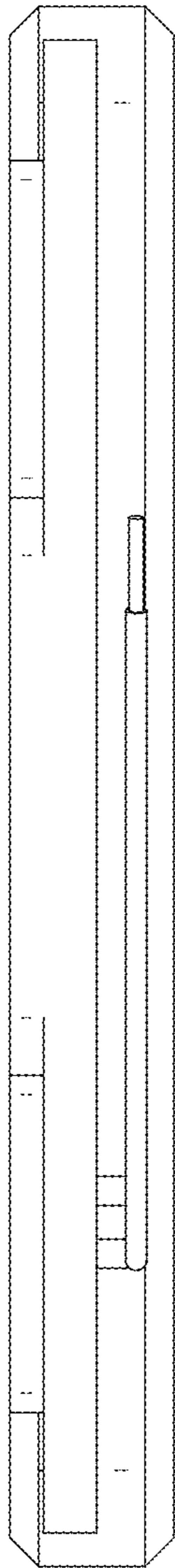


FIG. 2

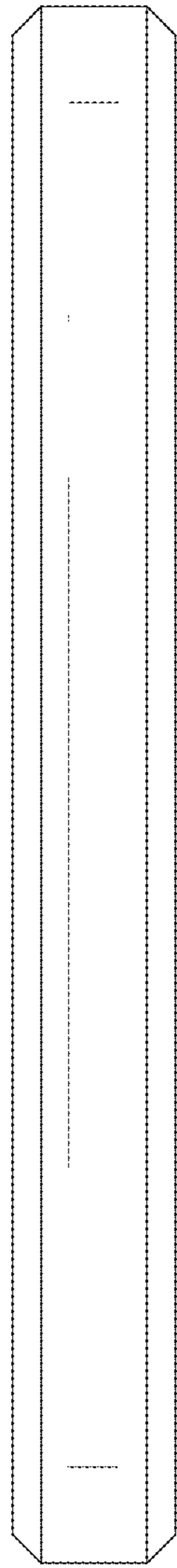


FIG. 3

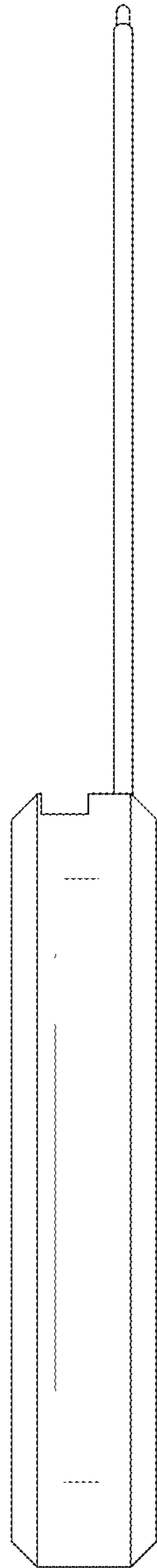


FIG. 4

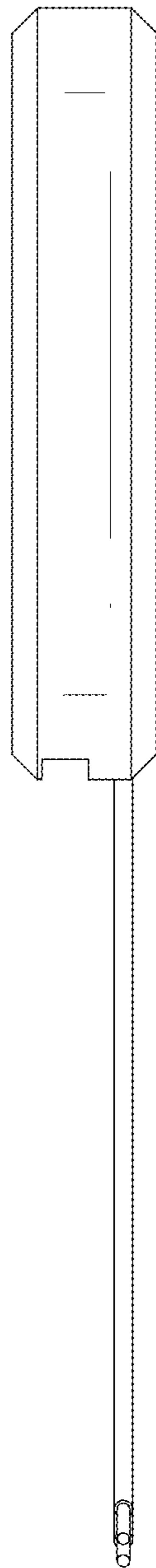


FIG. 5

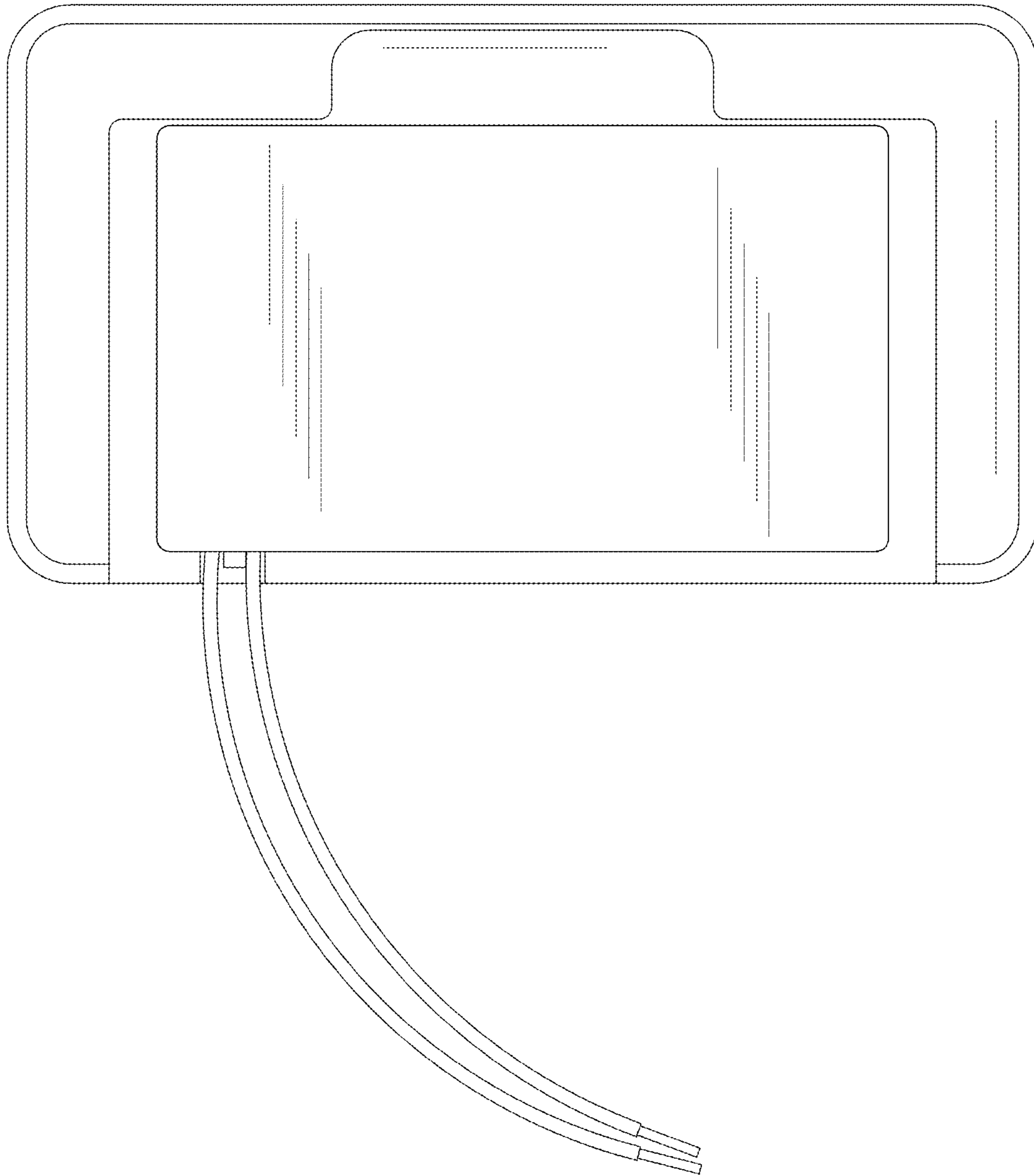


FIG. 6

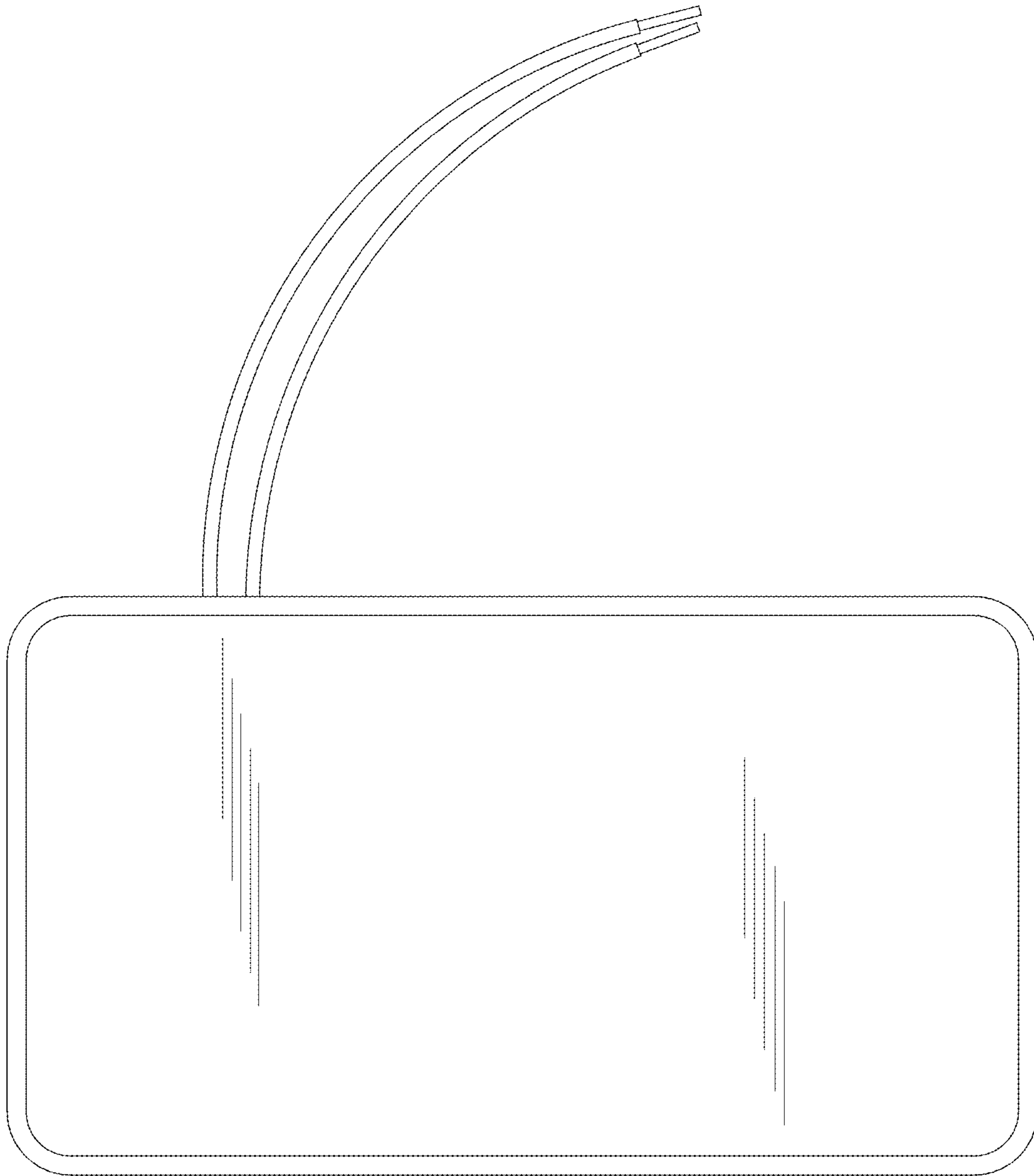


FIG. 7