



US00D887920S

(12) **United States Design Patent**
Gillam et al.

(10) **Patent No.:** **US D887,920 S**
(45) **Date of Patent:** **** Jun. 23, 2020**

- (54) **STEP PAD BUMPER**
- (71) Applicants: **Michael C. Gillam**, Oxford, MI (US);
Joseph S. Dehner, Bloomfield Hills, MI (US)
- (72) Inventors: **Michael C. Gillam**, Oxford, MI (US);
Joseph S. Dehner, Bloomfield Hills, MI (US)
- (73) Assignee: **FCA US LLC**, Auburn Hills, MI (US)
- (**) Term: **15 Years**
- (21) Appl. No.: **29/689,222**
- (22) Filed: **Apr. 29, 2019**

Related U.S. Application Data

- (63) Continuation-in-part of application No. 29/626,547, filed on Nov. 17, 2017, now Pat. No. Des. 868,632, and a continuation-in-part of application No. 29/626,530, filed on Nov. 17, 2017, now Pat. No. Des. 847,029, and a continuation-in-part of application No. 29/626,539, filed on Nov. 17, 2017, now Pat. No. Des. 847,030.
- (51) **LOC (12) Cl.** **12-16**
- (52) **U.S. Cl.**
USPC **D12/169**
- (58) **Field of Classification Search**
USPC D12/86, 90, 91, 92, 163, 169, 171, 196, D12/216
CPC B60R 19/02; B60R 19/04; B62D 25/00; B62D 25/06; B62D 25/08; B62D 35/00
See application file for complete search history.

(56) **References Cited**

U.S. PATENT DOCUMENTS

- D528,051 S * 9/2006 Fukui D12/169
- D537,389 S * 2/2007 Beigel D12/169

- D540,722 S * 4/2007 Angelo D12/169
- D584,199 S * 1/2009 Leclercq D12/169
- D598,827 S * 8/2009 Kanai D12/169
- D626,042 S * 10/2010 Yamazaki D12/169
- D680,479 S * 4/2013 Frei D12/169
- D687,752 S * 8/2013 Fetherston D12/169
- D688,989 S * 9/2013 Minamisawa D12/169
- D702,161 S * 4/2014 Hanaoka D12/169
- D712,322 S * 9/2014 Kobayashi D12/169
- D721,305 S * 1/2015 George D12/169
- D721,306 S * 1/2015 George D12/169
- D722,926 S * 2/2015 Kato D12/169
- D723,435 S * 3/2015 Thole D12/169
- D726,602 S * 4/2015 Rupar D12/169
- D729,707 S * 5/2015 Thole D12/169
- D750,539 S * 3/2016 Iwauchi D12/169
- D762,532 S * 8/2016 Tsutamori D12/169
- D764,975 S * 8/2016 Aengenheyster D12/91
- D774,428 S * 12/2016 Davidson D12/169
- D786,149 S * 5/2017 Pevovar D12/169

(Continued)

Primary Examiner — Susan Bennett Hattan

Assistant Examiner — Suzanne E Tisdell

(74) *Attorney, Agent, or Firm* — Ralph E. Smith

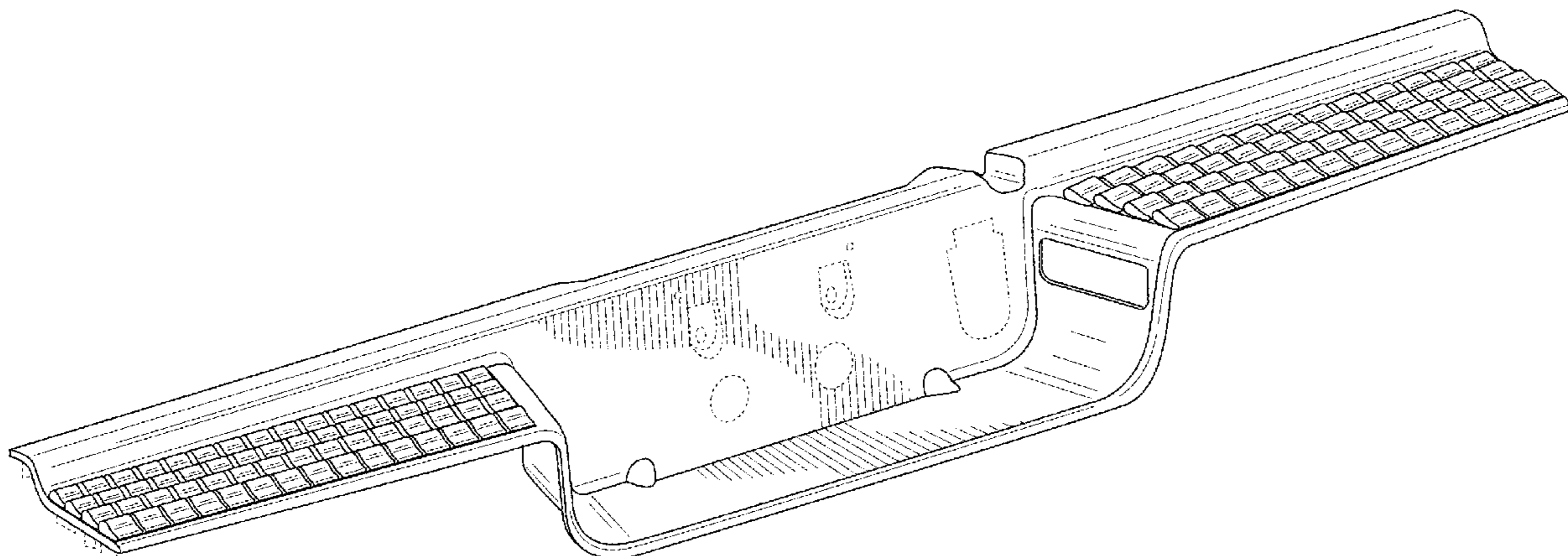
(57) **CLAIM**

The ornamental design for a step pad bumper, as shown and described.

DESCRIPTION

FIG. 1 is a front perspective view of a step pad bumper showing our new design;
 FIG. 2 is a front view thereof;
 FIG. 3 is a rear view thereof;
 FIG. 4 is an enlarged side view thereof;
 FIG. 5 is a top view thereof; and,
 FIG. 6 is a bottom view thereof.
 It will be understood that the broken lines shown in the drawings illustrate portions of the step pad bumper that form no part of the claimed design.

1 Claim, 6 Drawing Sheets



(56)

References Cited

U.S. PATENT DOCUMENTS

D788,657	S *	6/2017	Oohashi	D12/169
D792,815	S *	7/2017	Kozub	D12/169
D792,816	S *	7/2017	Kozub	D12/169
D793,296	S *	8/2017	Smith	D12/169
D793,921	S *	8/2017	Takamatsu	D12/169
D793,924	S *	8/2017	Sagawa	D12/169
D797,019	S *	9/2017	Yamashita	D12/169
D797,617	S *	9/2017	Mori	D12/169
D797,618	S *	9/2017	Suzuki	D12/169
D800,035	S *	10/2017	Takamatsu	D12/169
D800,614	S *	10/2017	Park	D12/169
D803,112	S *	11/2017	Tomita	D12/169
D805,449	S *	12/2017	Chung	D12/169
D807,248	S *	1/2018	Piscitelli	D12/169
D807,250	S *	1/2018	Piscitelli	D12/169
D807,252	S *	1/2018	Piscitelli	D12/169
D807,254	S *	1/2018	Piscitelli	D12/169
D807,257	S *	1/2018	Piscitelli	D12/169
D807,258	S *	1/2018	Patel	D12/169
2004/0032133	A1 *	2/2004	Bird	B60R 19/04 293/154
2006/0249961	A1 *	11/2006	Flotzinger	B60R 19/04 293/115
2006/0290169	A1 *	12/2006	Fukushima	B60Q 1/302 296/180.1

* cited by examiner

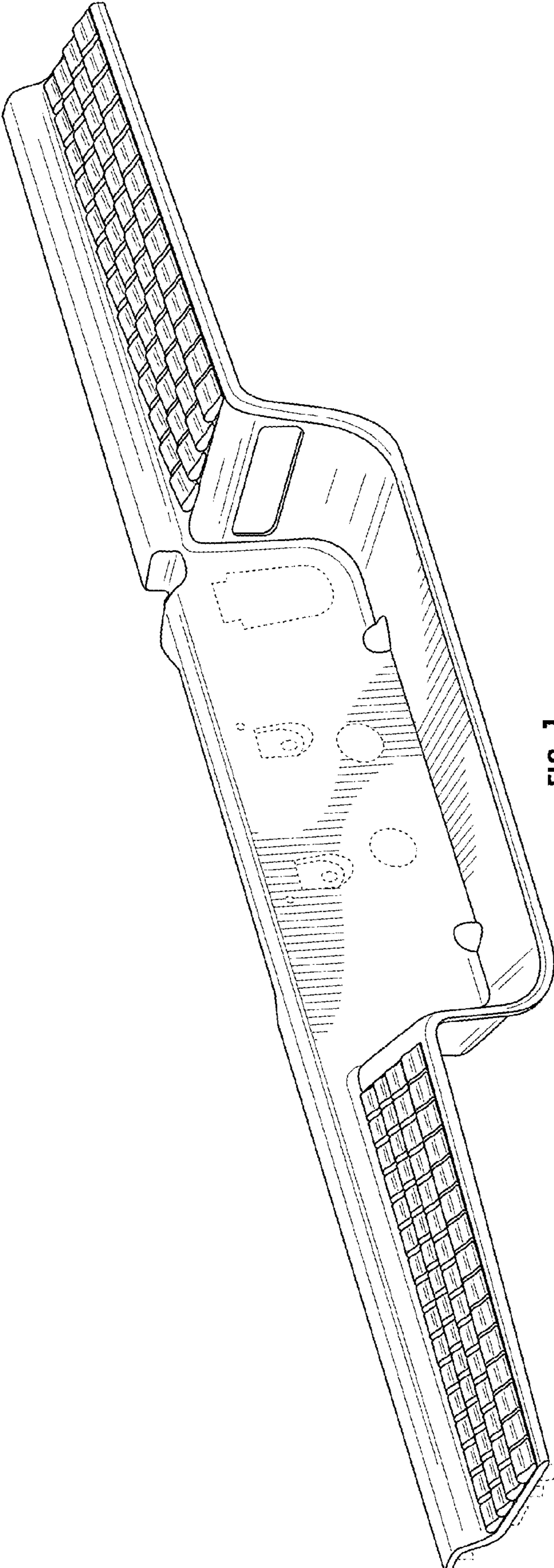


FIG. 1

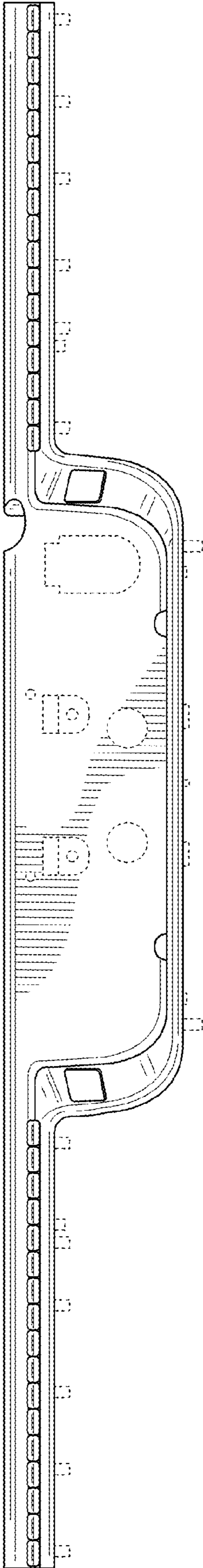


FIG. 2

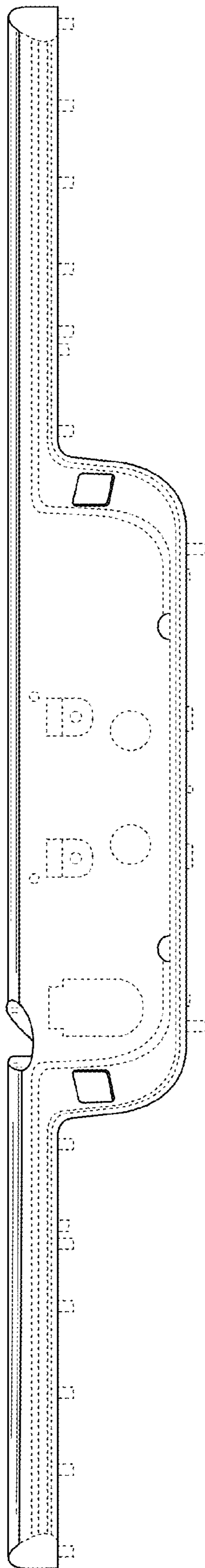


FIG. 3

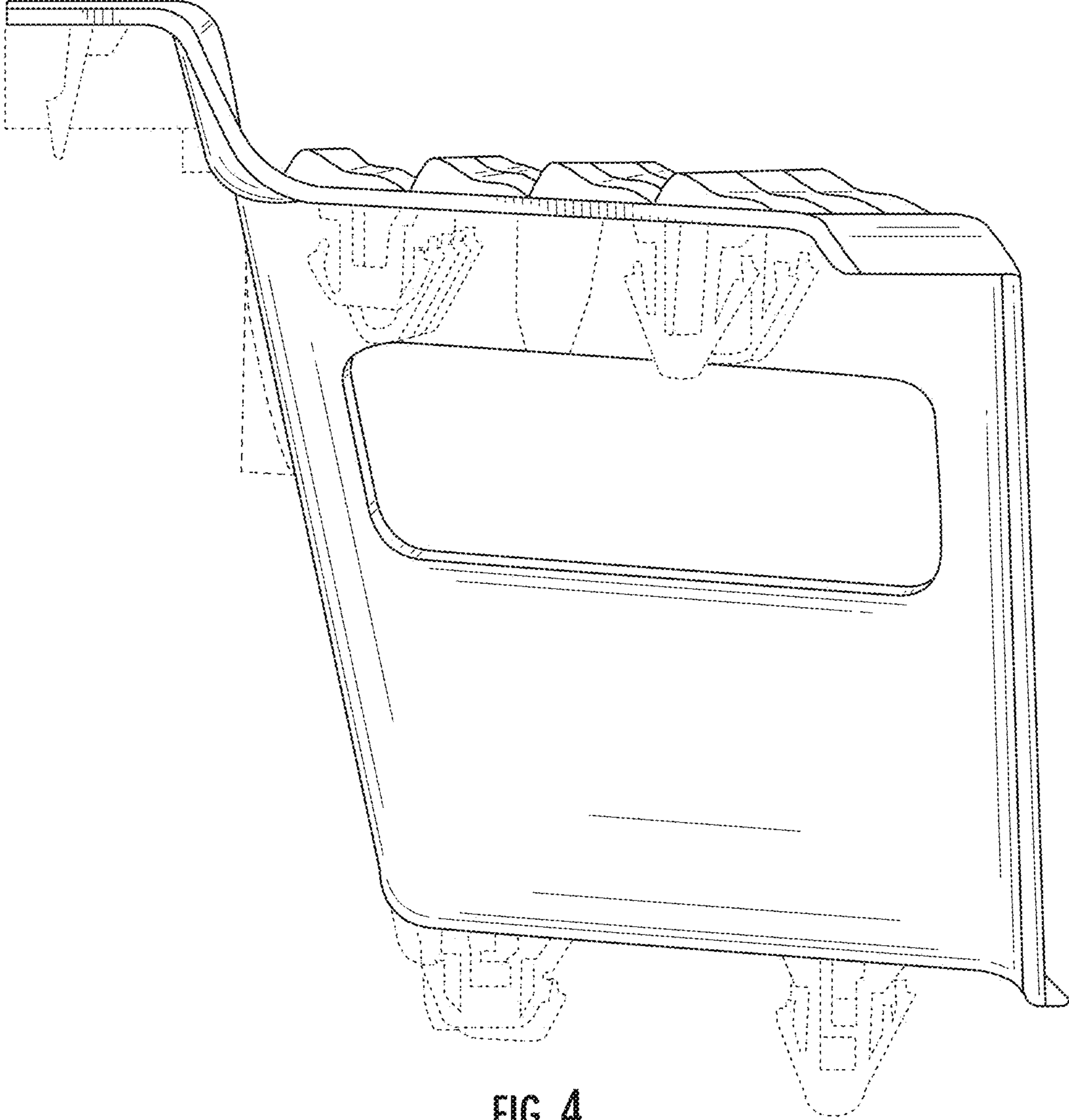


FIG. 4

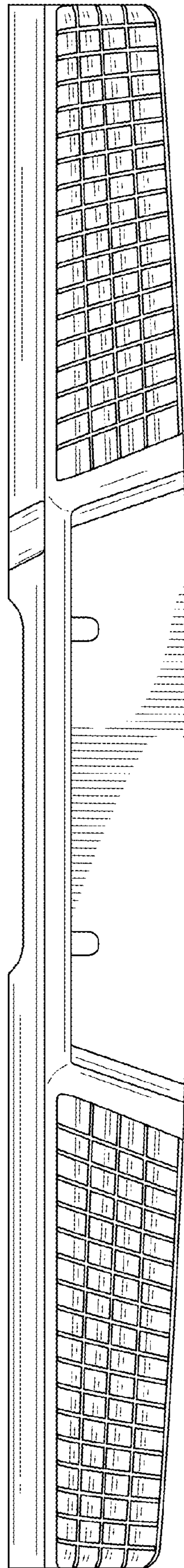


FIG. 5

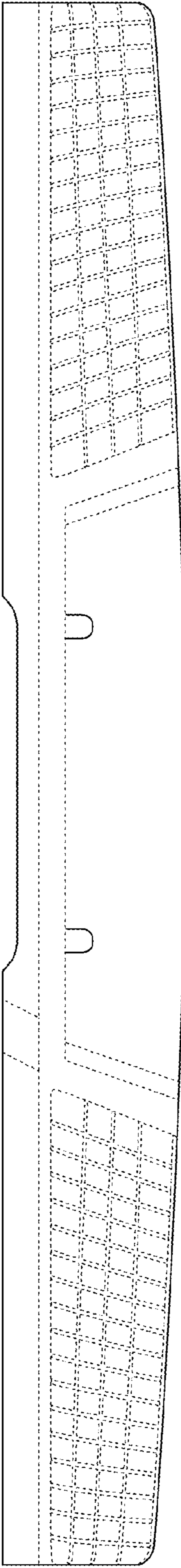


FIG. 6