



US00D887919S

(12) **United States Design Patent** (10) **Patent No.:** **US D887,919 S**
Metros et al. (45) **Date of Patent:** **** Jun. 23, 2020**

(54) **VEHICLE REAR LOWER BUMPER COVER**

(71) Applicant: **Ford Global Technologies, LLC**,
Dearborn, MI (US)
(72) Inventors: **Craig Metros**, Bloomfield, MI (US);
George Bucher, Dearborn, MI (US);
James Grake, Beverly Hills, MI (US);
Andrew Bazinski, Amherstburg (CA)

(73) Assignee: **Ford Global Technologies, LLC**,
Dearborn, MI (US)

(**) Term: **15 Years**

(21) Appl. No.: **29/685,401**

(22) Filed: **Mar. 28, 2019**

(51) **LOC (12) Cl.** **12-16**

(52) **U.S. Cl.**
USPC **D12/169**

(58) **Field of Classification Search**
USPC D12/169, 196, 86, 90-92, 163, 190, 98,
D12/164; 293/102, 113, 115, 117, 120,
293/193.11; 296/180.1, 180.2; 180/68.1,
180/68.6

CPC B60R 19/52; B60K 11/08; B62D 25/08;
B62B 9/16

See application file for complete search history.

(56) **References Cited**

U.S. PATENT DOCUMENTS

D644,578 S 9/2011 Messale
D663,660 S * 7/2012 Platto D12/169
D678,146 S * 3/2013 Behmer D12/169
D712,805 S * 9/2014 Murkett D12/169
D743,853 S * 11/2015 Blanski D12/169
D776,021 S * 1/2017 Kapitonov D12/169
D793,294 S * 8/2017 Lee D12/169

D793,300 S * 8/2017 Krieg D12/169
D797,616 S * 9/2017 Lee D12/169
D813,741 S * 3/2018 Perkins D12/169
D813,742 S * 3/2018 McMahan D12/169
D813,743 S * 3/2018 Lee D12/169
D813,756 S * 3/2018 Loeb D12/169
D816,563 S * 5/2018 McMahan D12/169
D819,524 S * 6/2018 Behmer D12/169
D822,554 S * 7/2018 Platto D12/169
D822,555 S * 7/2018 Platto D12/169
D822,556 S * 7/2018 Platto D12/169
D824,301 S * 7/2018 Lim D12/169
D825,413 S * 8/2018 Luk D12/169
D825,415 S * 8/2018 De Bono D12/169
D826,802 S * 8/2018 Platto D12/169
D832,157 S * 10/2018 Svensson D12/169
D838,636 S * 1/2019 Behmer D12/169
D870,002 S * 12/2019 Bucher D12/169
D870,003 S * 12/2019 Bucher D12/169

* cited by examiner

Primary Examiner — Melody N Brown

(74) *Attorney, Agent, or Firm* — Vichit Chea

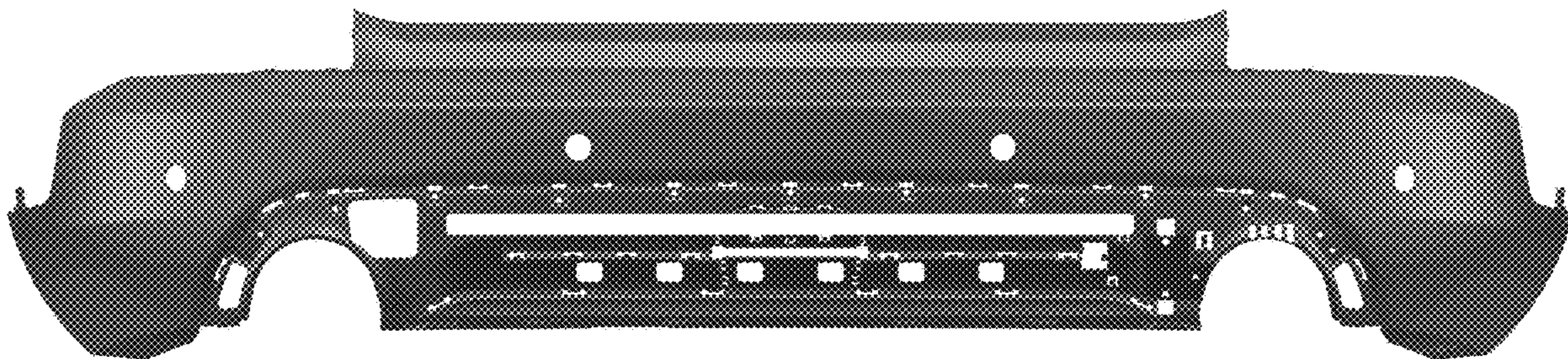
(57) **CLAIM**

The ornamental design for a vehicle rear lower bumper cover, as shown and described.

DESCRIPTION

FIG. 1 is a front elevational view of a vehicle rear lower bumper cover, showing our new design;
FIG. 2 is a left side elevational view thereof;
FIG. 3 is a right side elevational view thereof;
FIG. 4 is a top plan view thereof
FIG. 5 is a bottom plan view thereof;
FIG. 6 is a top, front, and left side perspective view thereof;
and,
FIG. 7 is a bottom, front, and left side perspective view thereof.

1 Claim, 7 Drawing Sheets



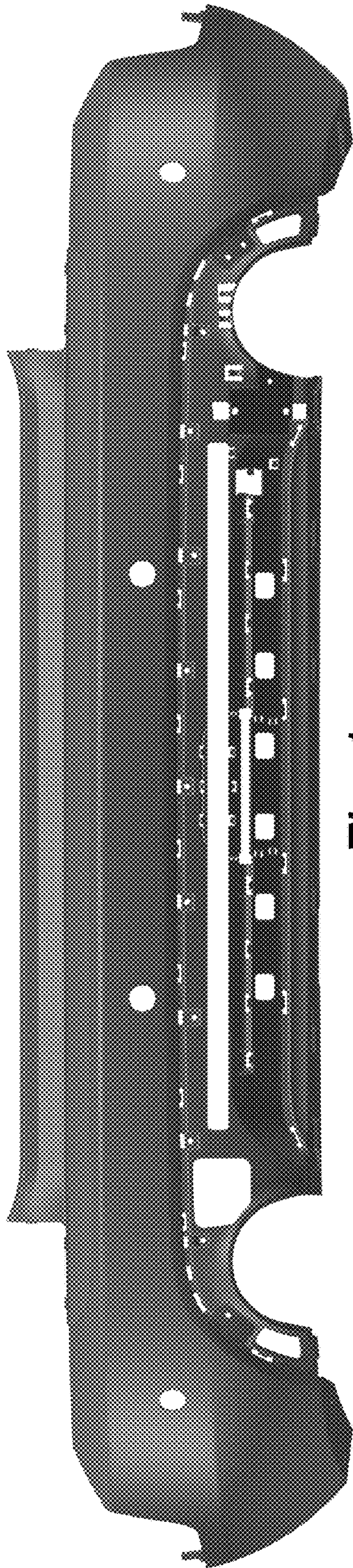


Fig. 1

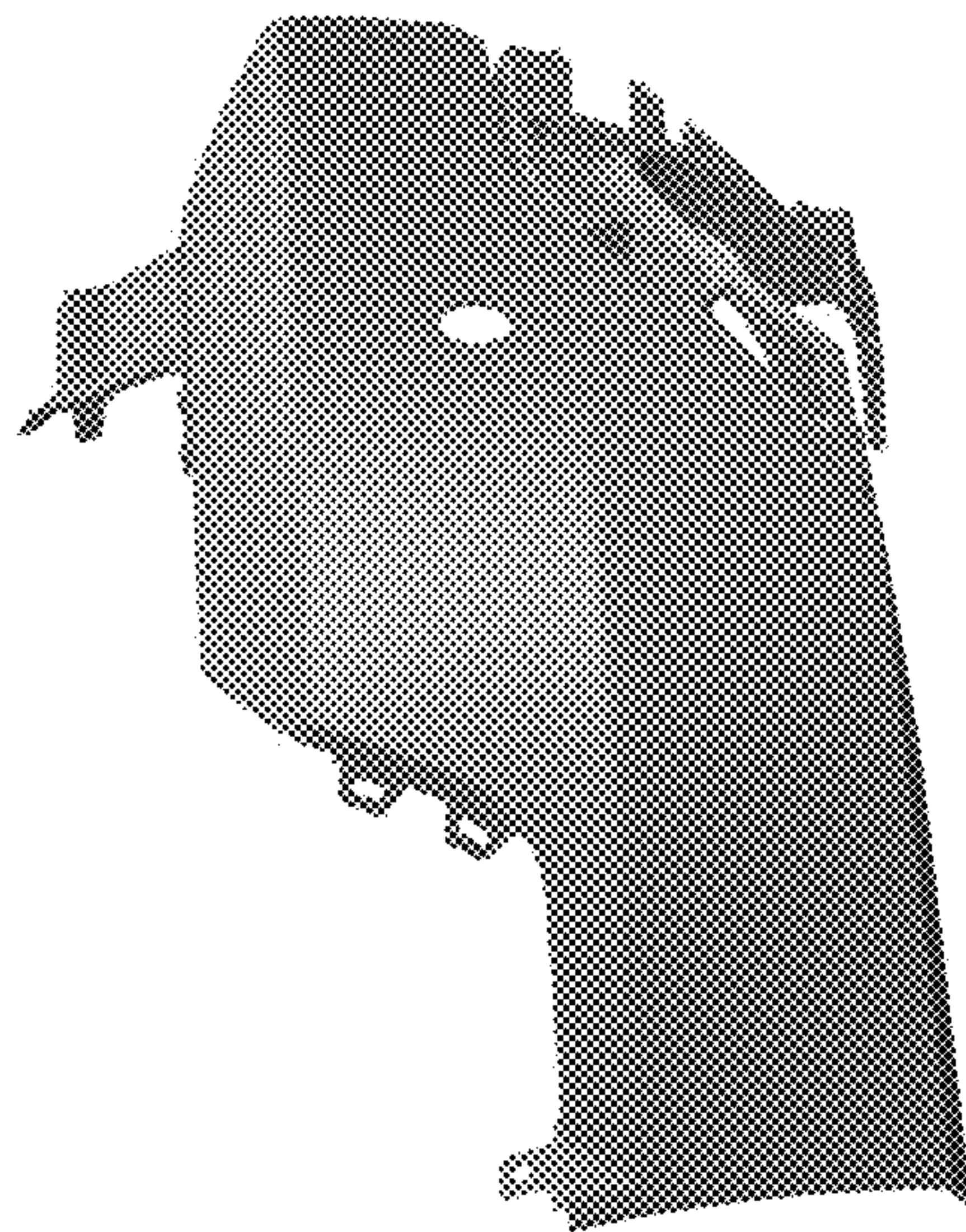


Fig. 2

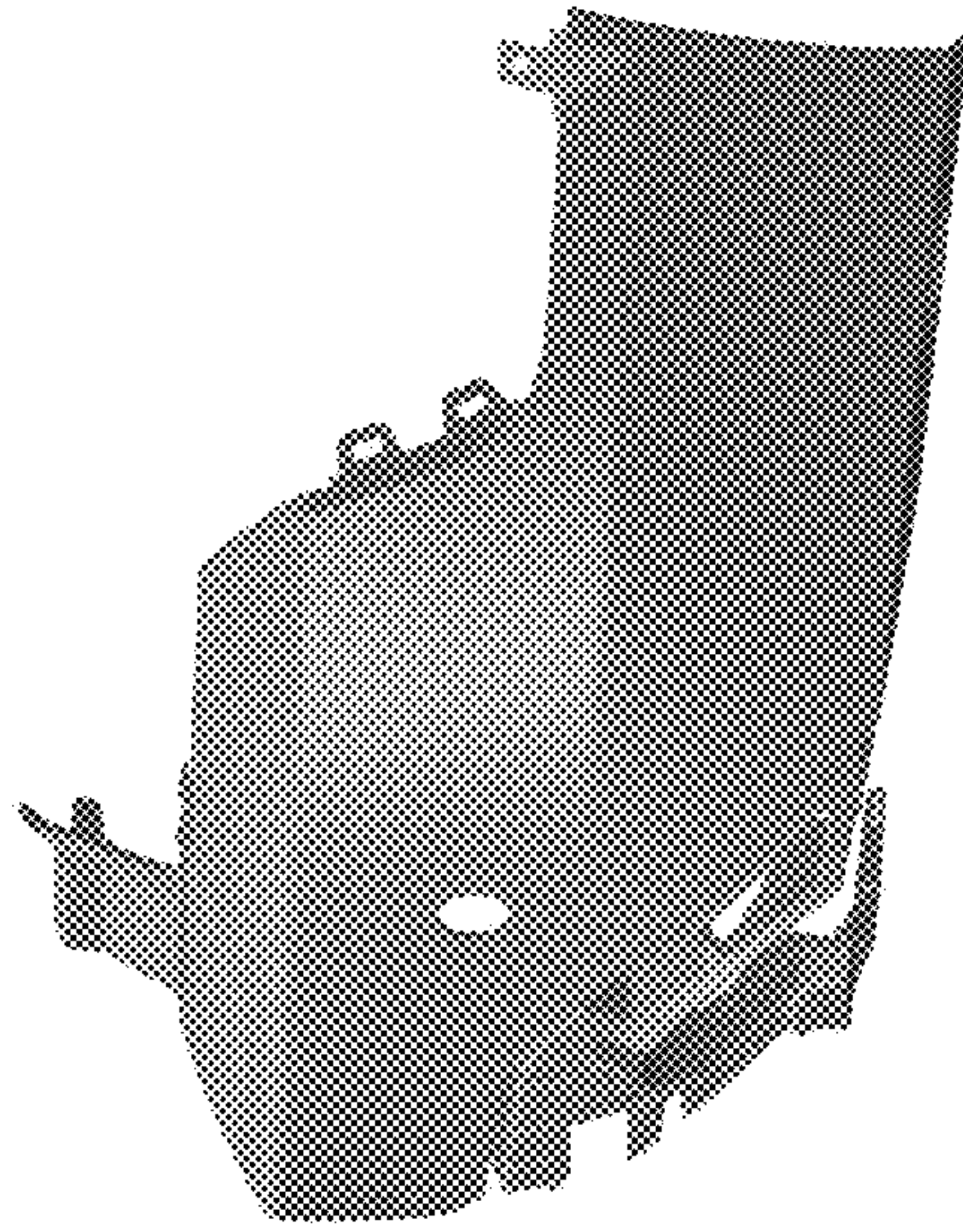


Fig. 3

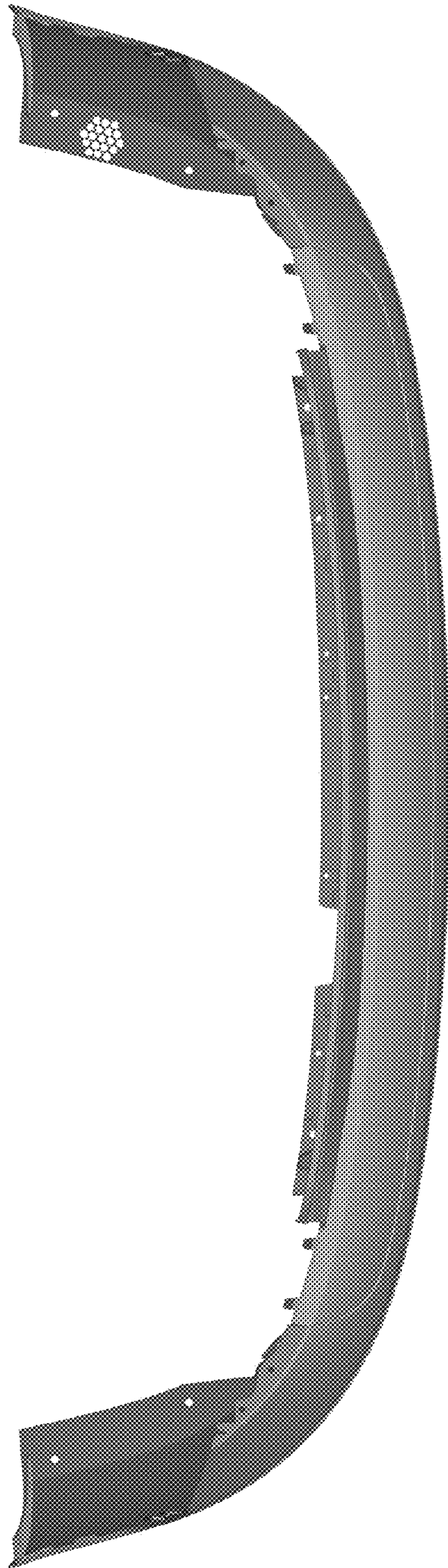


Fig. 4

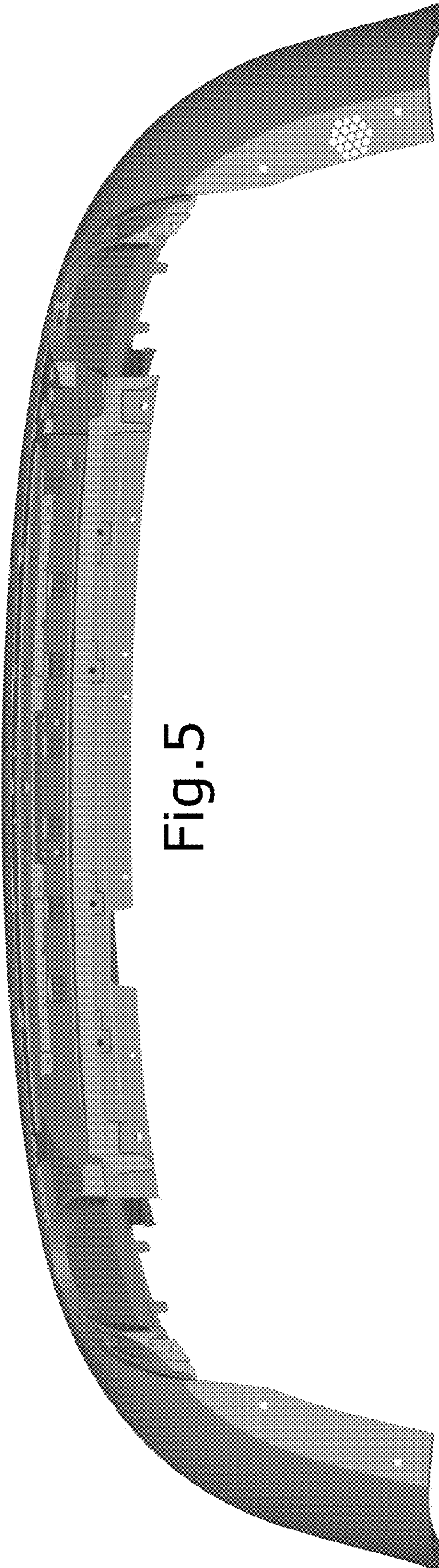


Fig. 5

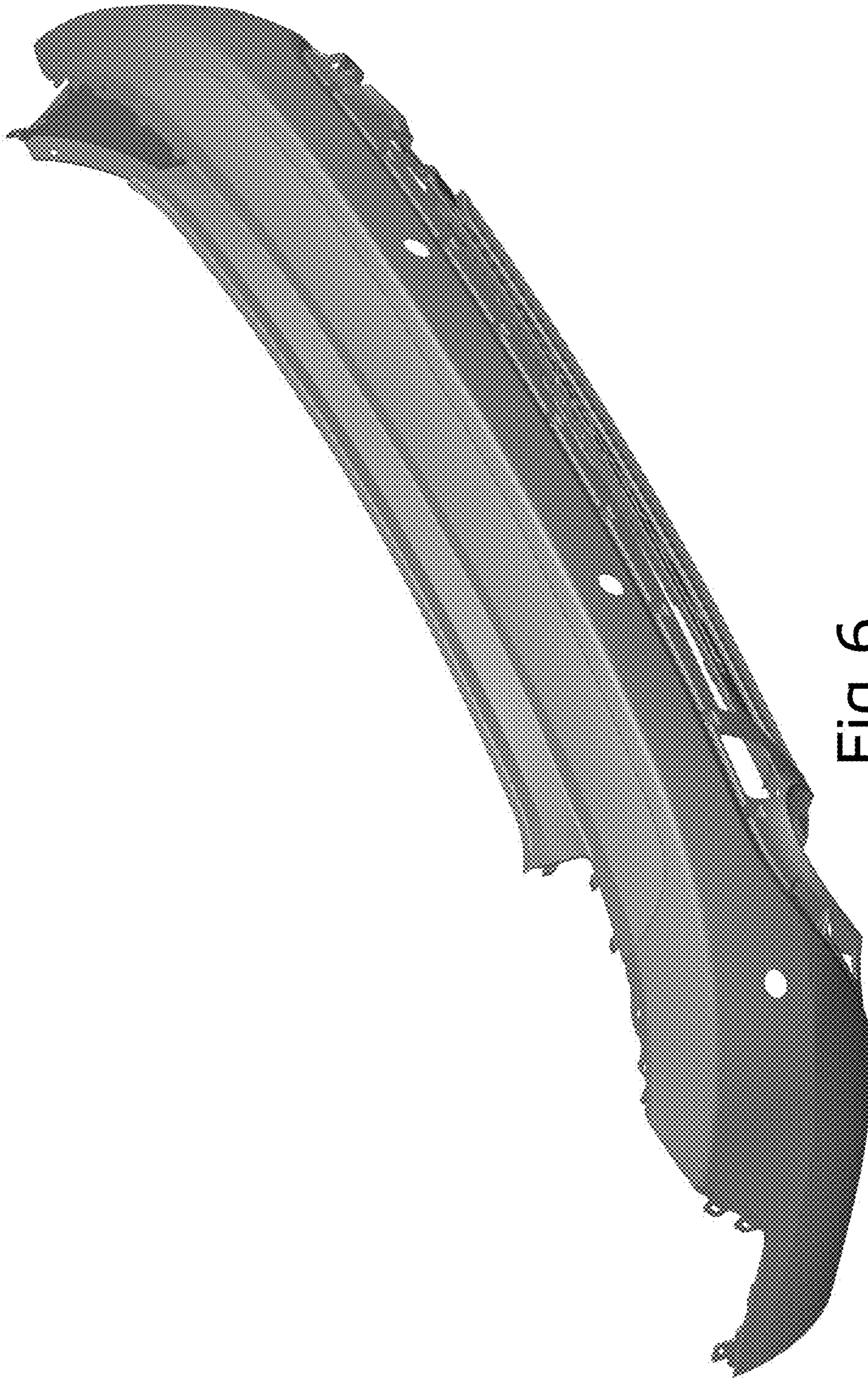


Fig. 6

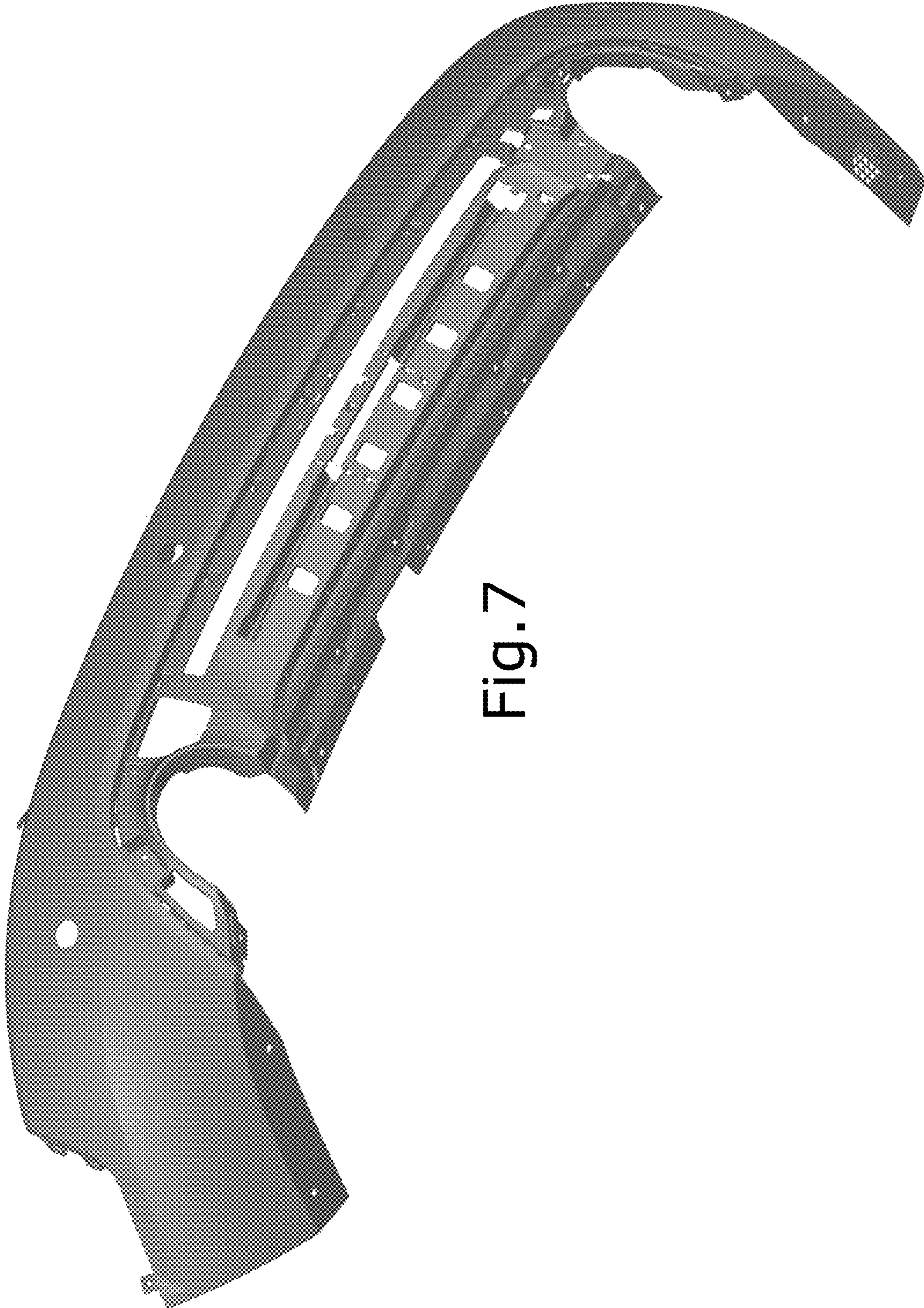


Fig. 7